

GHOST MULTI CONNECT™ KIT

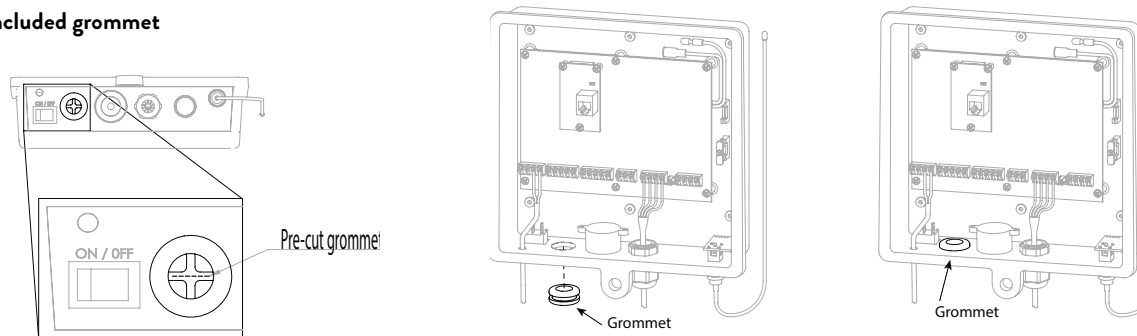
AXMC-R INSTRUCTIONS

*This kit gives you the ability to control your gate with your mobile device.


STEP 1. MOUNT THE MULTI CONNECT™ KIT CLOSE TO THE CONTROL BOX

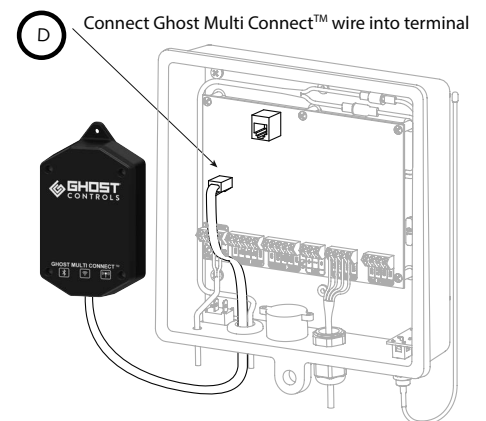
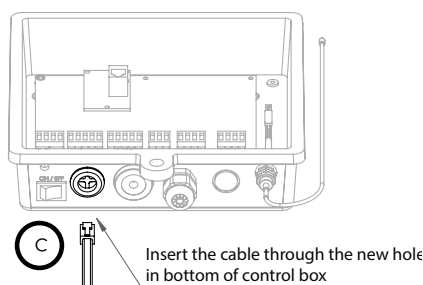
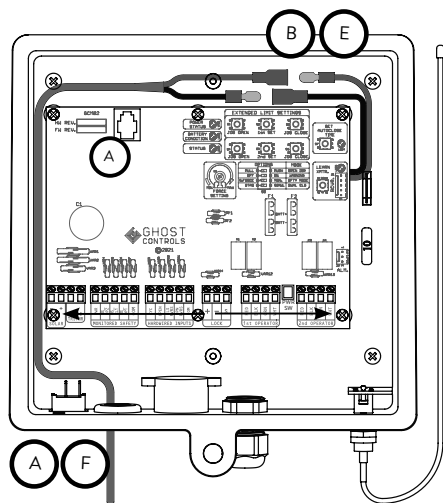
STEP 2. REMOVE THE STRAIN RELIEF ON BOTTOM OF CONTROL BOX AND REPLACE IT WITH THE GROMMET

- ◆ Add the included grommet



STEP 3. ADDING THE *GHOST MULTI CONNECT™ KIT TO THE CONTROL BOARD

- Turn off the gate opener at the control box
- Disconnect the battery terminal cables in the control box.
- Route the Ghost Multi Connect™ Kit cable wire into your control box using the new grommet you added in Step 2.
- Plug in your Ghost Multi Connect™ Kit terminal into the socket on the control board (A)
- Re-connect the battery terminal cable.
- Turn on the control box.
- Go to the Google Play or Apple App Store and download the Remootio App to your phone (free) 
- Follow the setup instructions in the app



www.GhostControls.com

Made in China, AXMCIM | Rev. 2023-07
©2023 GHOST CONTROLS®