

# REPLACEMENT CONTROL BOARD

## \*GHOST MULTI CONNECT™ READY

### AXBSM & AXBDM INSTRUCTIONS

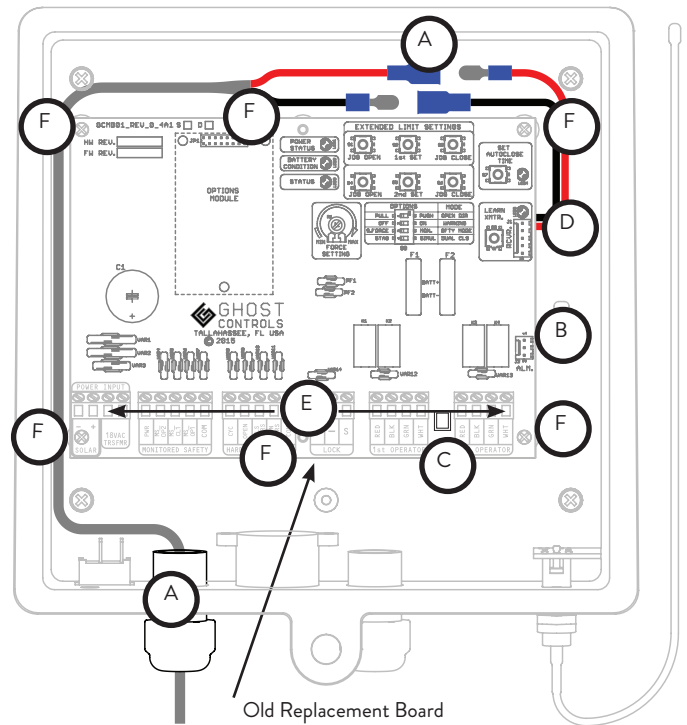
\*Ghost Multi Connect™ Kit (sold separately) This kit gives you the ability to control your gate with your mobile device.

#### BEFORE YOU BEGIN

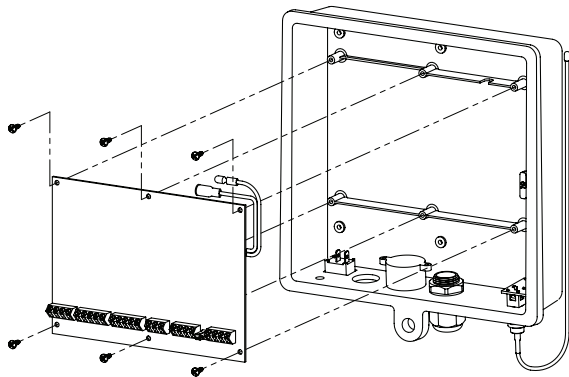
1. Take pictures of your wiring connections in your control box
2. Verify the system is off
3. If using the AC Transformer, please disconnect from power source and disconnect wires for the control board
4. If using solar, please disconnect wires from the control board

#### STEP 1. DISCONNECT AND REMOVE ALL WIRES FROM THE CONTROL BOARD AND BOX

1. A- Battery Cable
2. B- Alarm Harness connection (ALM)
3. C- On/Off Switch Harness connection (PWR SW)
4. D- Receiver Harness connection (RCVR)
5. E- All wiring going to the screw terminals
6. F- Remove all 6 Mounting Screws

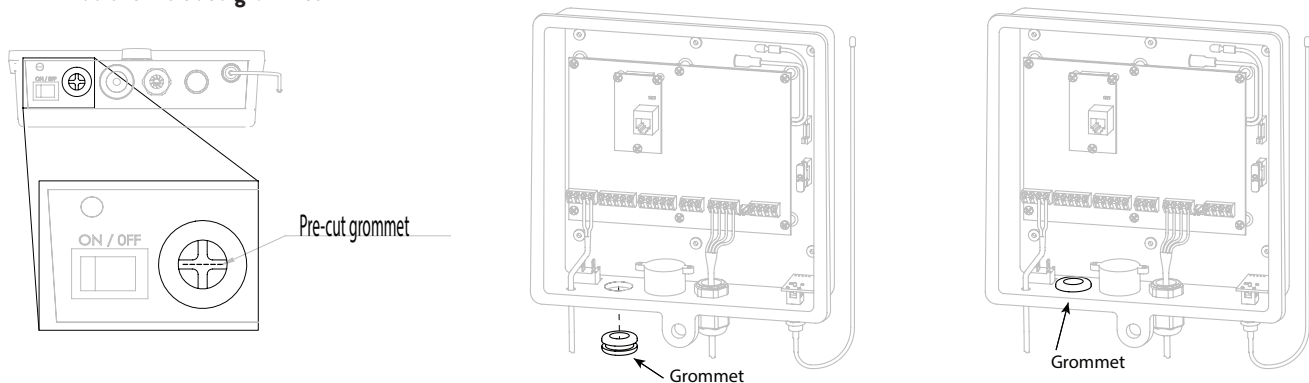


#### STEP 2. REMOVE OLD BOARD



#### STEP 3. REMOVE THE STRAIN RELIEF ON BOTTOM OF CONTROL BOX AND REPLACE IT WITH THE GROMMET

- ◆ Add the included grommet



#### STEP 4. VERIFY NEW BOARD IS CORRECT FOR YOUR APPLICATION AND INSTALL BOARD

- ◇ AXBSM= Single gate opener system
- ◇ AXBDM= Dual gate opener system (this will also work for a single system.)

#### STEP 5. RECONNECT ALL ITEMS TO THE NEW CONTROL BOARD IN THE ORDER BELOW

1. F- Install all 6 Mounting Screws
2. D- Receiver Harness connection (RCVR)
3. C- On/Off Switch Harness connection (PWR SW)
4. B- Alarm Harness connection (ALM)
5. E- All wiring going to the screw terminals
6. A- Battery Cable

#### STEP 6. REPROGRAM YOUR SYSTEM INSTRUCTIONS ARE ON THE LABEL INSIDE THE CONTROL BOX

1. Turn your unit on
2. Set the DIP Switches to the same settings as old board
3. Adjust Force Setting to the same as old board
4. Learn the Remote Transmitter
5. Set the Extended Limit
6. Set AutoClose, if applicable

**\*IF YOU PURCHASED THE GHOST MULTI CONNECT™ KIT TO USE YOUR PHONE CONTINUE TO STEP 7.**

#### STEP 7. ADDING THE \*GHOST MULTI CONNECT™ KIT (SOLD SEPARATELY) TO THE CONTROL BOARD

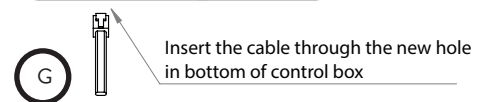
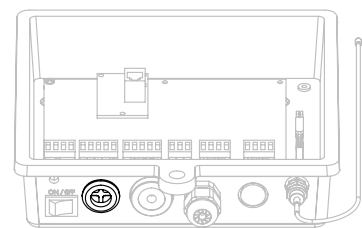
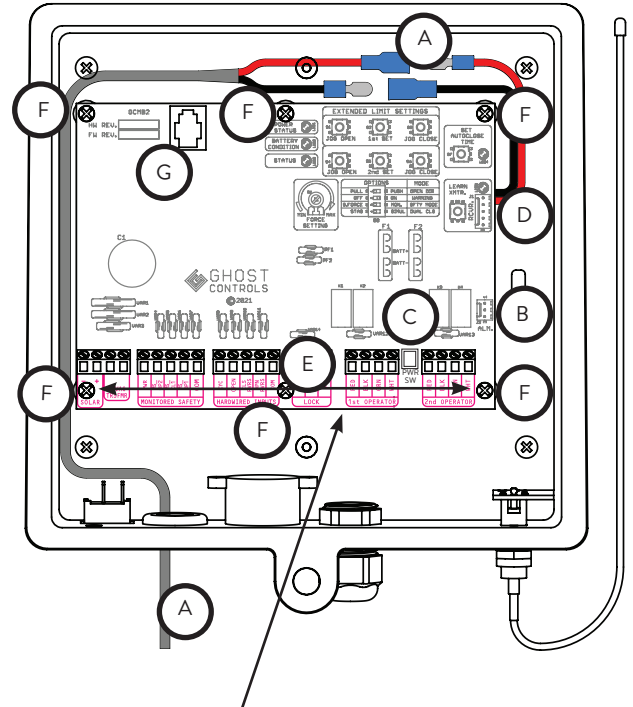
1. G- Route the Ghost Multi Connect Kit cable wire (G) into your control box using the new grommet you added in Step 3.
2. Plug in your Ghost Multi Connect™ Kit terminal into the socket on the control board (G)
3. Go to the Google Play or Apple App Store and download the Remotio App to your phone (free)
4. Follow the setup instructions in the app



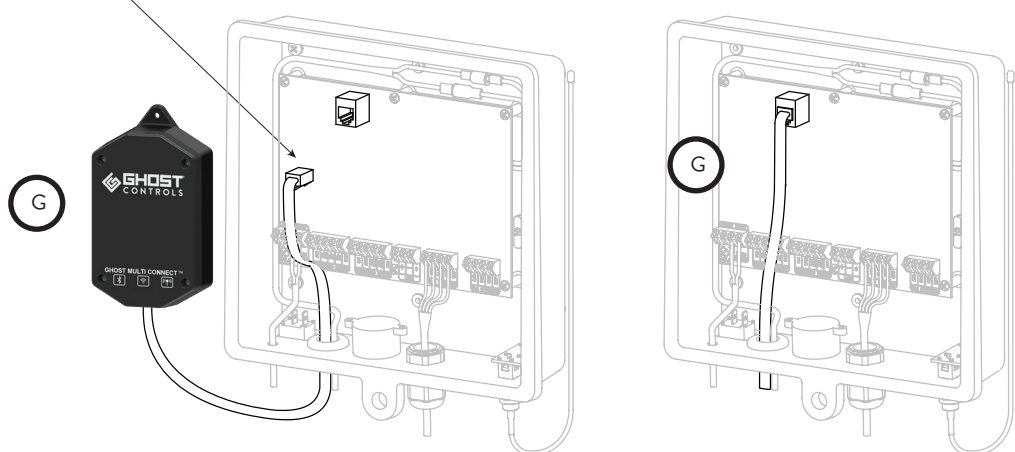
Google Play  
Remotio



Apple App  
Remotio



Connect Ghost Multi Connect™ wire into terminal



www.GhostControls.com

Made in China, AXBSMIM | AXBDMIM | Rev. 2022-06  
©2022 GHOST CONTROLS®