

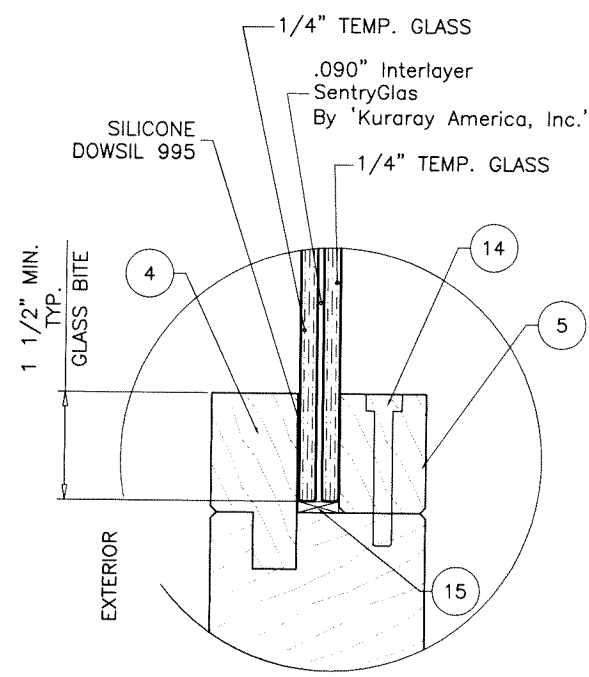
TYPICAL ELEVATION
(OUTSWING PIVOT DOOR)

MAXIMUM DESIGN LOAD RATING = + 60.0 PSF
(FOR MAX. SIZE SHOWN ABOVE OR SMALLER) - 60.0 PSF
AS PERMITTED BY FBC REQUIREMENTS

NOTE:
APPLICABLE EGRESS REQUIREMENTS TO BE REVIEWED BY AHJ.

PANEL SIZE:
NOM. PANEL WIDTH = DOOR FRAME WIDTH - 4.313"
PANEL HEIGHT = DOOR FRAME HEIGHT - 4.187"

DAYLITE OPENINGS:
DLO WIDTH = NOM. PANEL WIDTH - 22.062"
DLO HEIGHT = PANEL HEIGHT - 21.937"



GLAZING DETAIL
9/16\"/>

THESE DOORS ARE RATED FOR LARGE & SMALL MISSILE IMPACT.
SHUTTERS ARE NOT REQUIRED.

OUTSWING GLASS WOOD PIVOT DOOR (L.M.I.)

DOORS NOT APPROVED FOR INSTALLATIONS WHERE WATER INFILTRATION RESISTANCE IS REQUIRED.

THIS PRODUCT HAS BEEN DESIGNED AND TESTED TO COMPLY WITH THE REQUIREMENTS OF THE 2020 (7TH EDITION) FLORIDA BUILDING CODE INCLUDING HIGH VELOCITY HURRICANE ZONE (HVHZ).

1BY OR 2BY WOOD BUCKS & BUCK FASTENERS BY OTHERS, MUST BE DESIGNED AND INSTALLED ADEQUATELY TO TRANSFER APPLIED PRODUCT LOADS TO THE BUILDING STRUCTURE.

ANCHORS SHALL BE CORROSION RESISTANT, SPACED AS SHOWN ON DETAILS AND INSTALLED PER MANUF'S INSTRUCTIONS. SPECIFIED EMBEDMENT TO BASE MATERIAL SHALL BE BEYOND WALL DRESSING OR STUCCO.

A LOAD DURATION INCREASE IS USED IN DESIGN OF ANCHORS INTO WOOD ONLY. ALL SHIMS TO BE HIGH IMPACT, NON-METALLIC AND NON-COMPRESSIBLE.

MATERIALS INCLUDING BUT NOT LIMITED TO STEEL/METAL SCREWS, THAT COME INTO CONTACT WITH OTHER DISSIMILAR MATERIALS SHALL MEET THE REQUIREMENTS OF THE 2020 FLORIDA BLDG. CODE & ADOPTED STANDARDS.

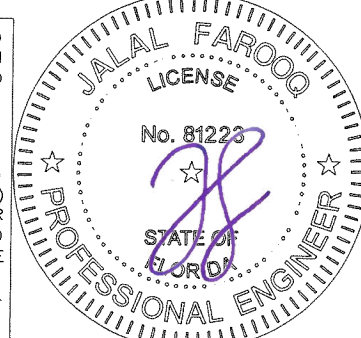
THIS PRODUCT APPROVAL IS GENERIC AND DOES NOT PROVIDE INFORMATION FOR A SITE SPECIFIC PROJECT, i.e. LIFE SAFETY OF THIS PRODUCT, ADEQUACY OF STRUCTURE RECEIVING THIS PRODUCT AND SEALING AROUND OPENING FOR WATER INFILTRATION RESISTANCE ETC. CONDITIONS NOT SHOWN IN THIS DRAWING ARE TO BE ANALYZED SEPARATELY, AND TO BE REVIEWED BY BUILDING OFFICIAL.

DESIGN LOADS SHOWN ARE BASED ON 'ALLOWABLE STRESS DESIGN (ASD)'.

NOTE:
GLASS CAPACITIES ON THIS SHEET ARE BASED ON ASTM E1300-09 (3 SEC. GUSTS) AND FLORIDA BUILDING COMMISSION DECLARATORY STATEMENT DCA05-DEC-219

Sealed: 12/19/2022

FL #41847



A- CONTRACTOR TO BE RESPONSIBLE FOR THE SELECTION, PURCHASE AND INSTALLATION OF THIS PRODUCT BASED ON THIS PRODUCT EVALUATION PROVIDED HE/SHE DOES NOT DEVIATE FROM THE CONDITIONS DETAILED ON THIS DOCUMENT.
B- THIS PRODUCT EVALUATION DOCUMENT WILL BE CONSIDERED INVALID IF ALTERED BY ANY MEANS.
C- SITE SPECIFIC PROJECTS SHALL BE PREPARED BY A FLORIDA REGISTERED ENGINEER OR ARCHITECT WHICH WILL BECOME THE ENGINEER OF RECORD (E.O.R.) FOR THE PROJECT AND WHO WILL BE RESPONSIBLE FOR THE PROPER USE OF THE P.E.D. ENGINEER OF RECORD, ACTING AS A DELEGATED ENGINEER TO THE P.E.D. ENGINEER SHALL SUBMIT TO THIS LATTER THE SITE SPECIFIC DRAWINGS FOR REVIEW.
D- THIS P.E.D. SHALL BEAR THE DATE AND ORIGINAL SEAL AND SIGNATURE OF THE PROFESSIONAL ENGINEER OF RECORD THAT PREPARED IT.

AL-FAROOQ CORPORATION
ENGINEERS & PRODUCT DEVELOPMENT
9360 SUNSET DRIVE, SUITE 220
MIAMI, FLORIDA 33173
TEL. (305) 264-8100
WWW.AFCENG.COM
FBPE #5538
COMP-ANL\22-44F-TDD

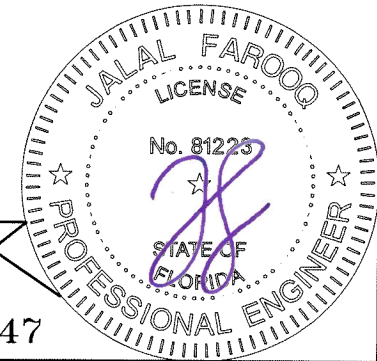
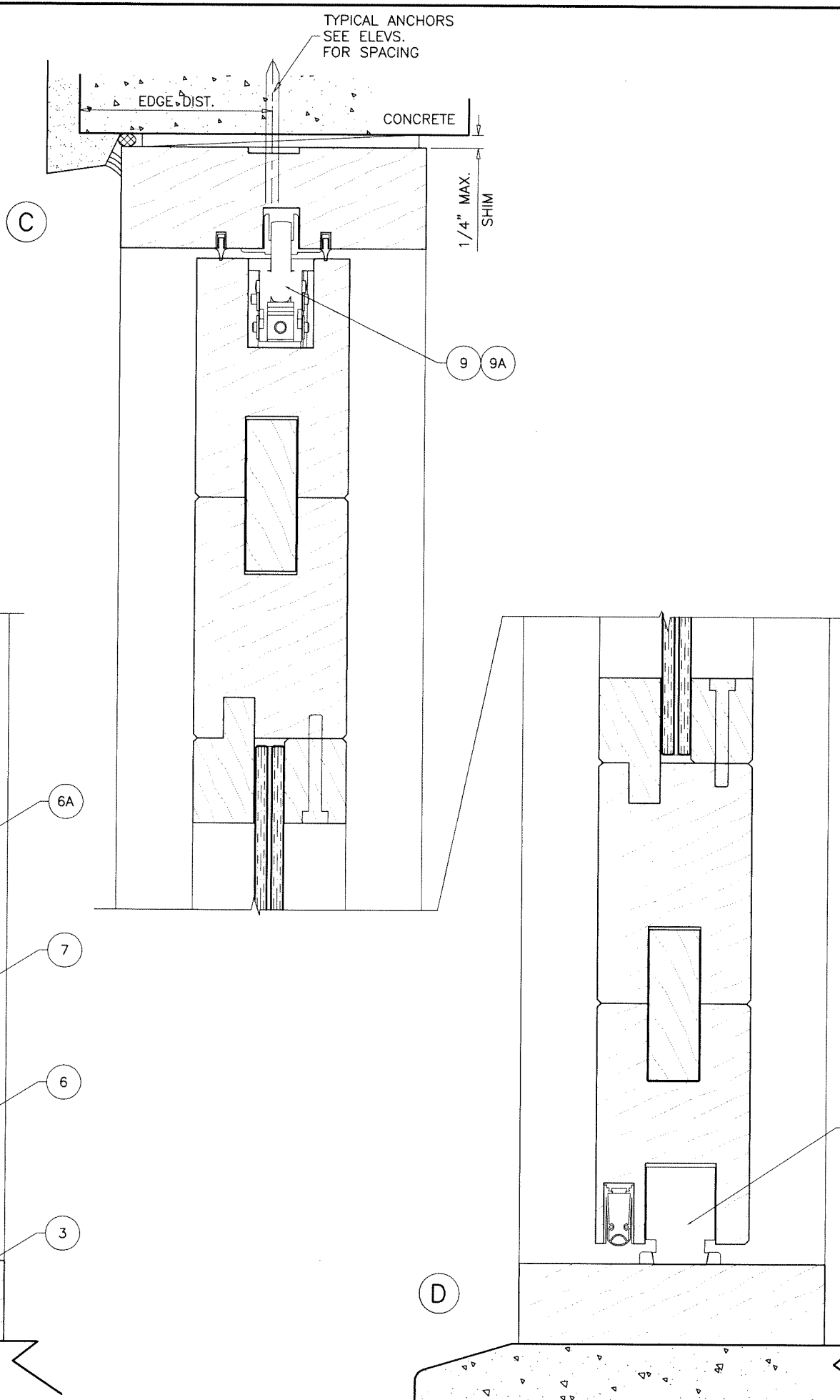
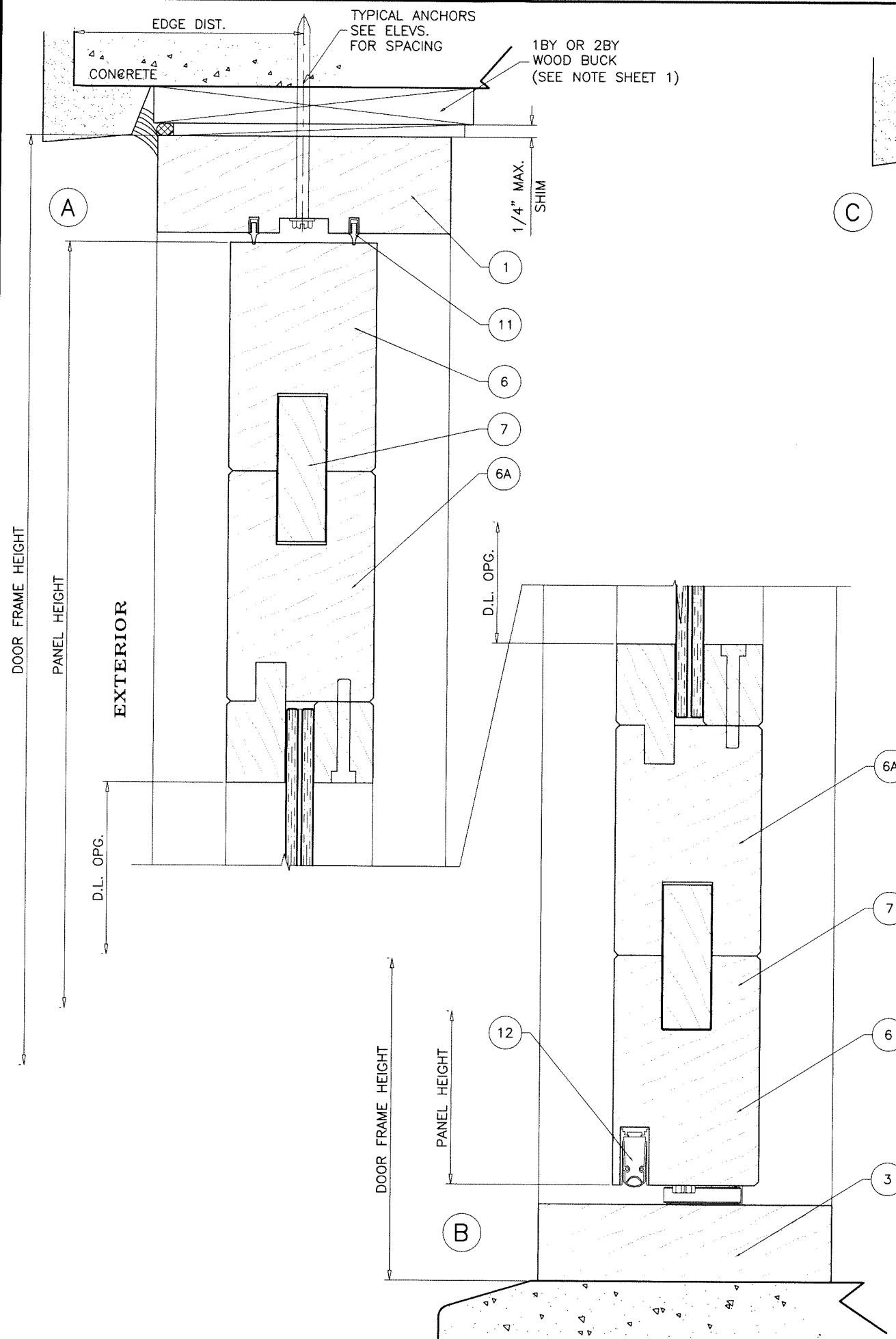
OUTSWING GLASS WOOD PIVOT DOOR (L.M.I.)
THE DOOR DISTRICT
10471 N.W. 36th Street
Doral, FL. 33178
Phone: (786) 502-4752
www.thedoordistrict.com

revisions:	no	date	by	description

date: 11-14-22
scale: 1/2" = 1'-0"
dr. by: TARIQ
chk. by:

drawing no.
22-44F

sheet 1 of 7



Sealed: 12/19/2022

FL #41847

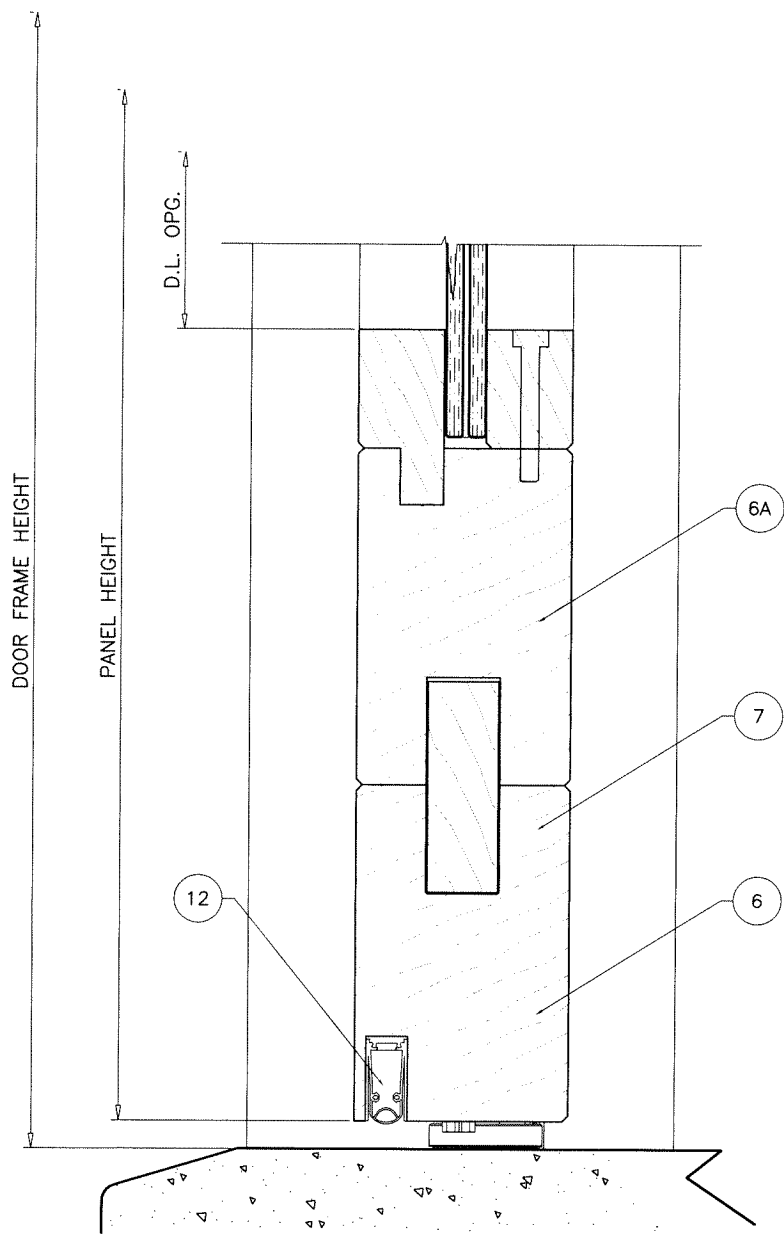
afc
AL-FAROOQ CORPORATION
 ENGINEERS & PRODUCT DEVELOPMENT
 9360 SUNSET DRIVE, SUITE 220
 MIAMI, FLORIDA 33173
 TEL. (305) 264-8100
 FBPE #9538
 WWW.AFCENG.COM
 COMP-ANL 22-44F-TDD

OUTSWING GLASS WOOD PIVOT DOOR (L.M.I.)
THE DOOR DISTRICT
 10471 N.W. 36th Street
 Doral, FL 33178
 Phone: (786) 502-4752
 www.thedoordistrict.com

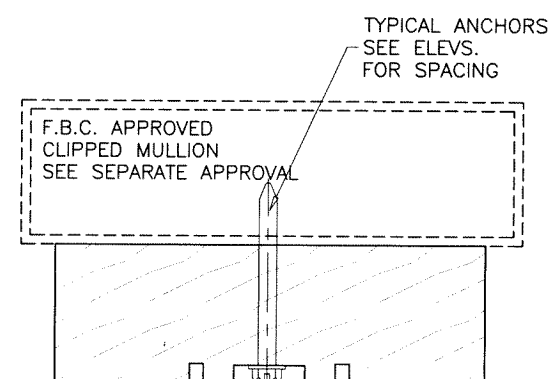
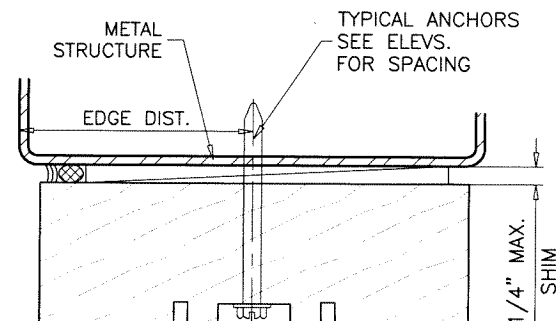
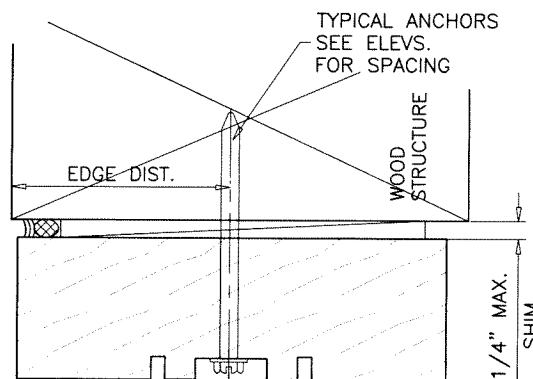
revisions:	
no	date by description

date: 11-14-22	scale: 3/8" = 1"
dr. by: TARIQ	chk. by:

drawing no. 22-44F
 sheet 2 of 7



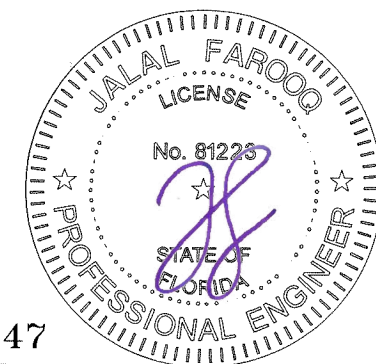
DOOR OPTION WITHOUT FRAME SILL



WOOD BUCKS AND METAL STRUCTURE NOT BY 'THE DOOR DISTRICT' MUST SUSTAIN LOADS IMPOSED BY GLAZING SYSTEM AND TRANSFER THEM TO THE BUILDING STRUCTURE.

TYPICAL ANCHORS: SEE ELEV. FOR SPACING
1/4" DIA. ULTRACON+ BY 'DEWALT' ($F_u=164$ KSI, $F_y=148$ KSI)
 INTO 2BY WOOD BUCKS OR WOOD STRUCTURES
 1-1/2" MIN. PENETRATION INTO WOOD (HEAD/JAMBS)
 THRU 1BY BUCKS INTO CONC. OR BLOCKS
 1-1/4" MIN. EMBED INTO CONCRETE (HEAD/JAMBS)
 1-1/4" MIN. EMBED INTO BLOCKS (JAMBS)
 DIRECTLY INTO CONCRETE OR BLOCKS
 1-1/4" MIN. EMBED INTO CONCRETE (HEAD/SILL/JAMBS)
 1-1/4" MIN. EMBED INTO BLOCKS (JAMBS)
#14 SMS OR SELF-DRILLING SCREWS (GRADE 2 CRS)
 INTO F.B.C. APPROVED MULLIONS
 AND
 INTO METAL STRUCTURES (HEAD/SILL/JAMBS)
 (3) THREADS MIN. TO EXTEND BEYOND METAL THICKNESS
 ALUMINUM: 1/8" THK. MIN. (6063-T5 MIN.)
 STEEL: 1/8" THK. MIN. ($F_y = 36$ KSI MIN.)
 (STEEL IN CONTACT WITH ALUMINUM TO BE PLATED OR PAINTED)
CRITICAL EDGE DISTANCE
 INTO CONCRETE AND BLOCKS = 2-1/2" MIN.
 INTO WOOD STRUCTURE = 1" MIN.
 INTO METAL STRUCTURE = 1/2" MIN.
 WOOD AT HEAD, SILL OR JAMBS SG = 0.55 MIN.
 CONCRETE AT HEAD, SILL OR JAMBS $f'_c = 3000$ PSI MIN.
 C-90 HOLLOW/FILLED BLOCK AT JAMBS $f'_m = 2000$ PSI MIN.

Sealed: 12/19/2022



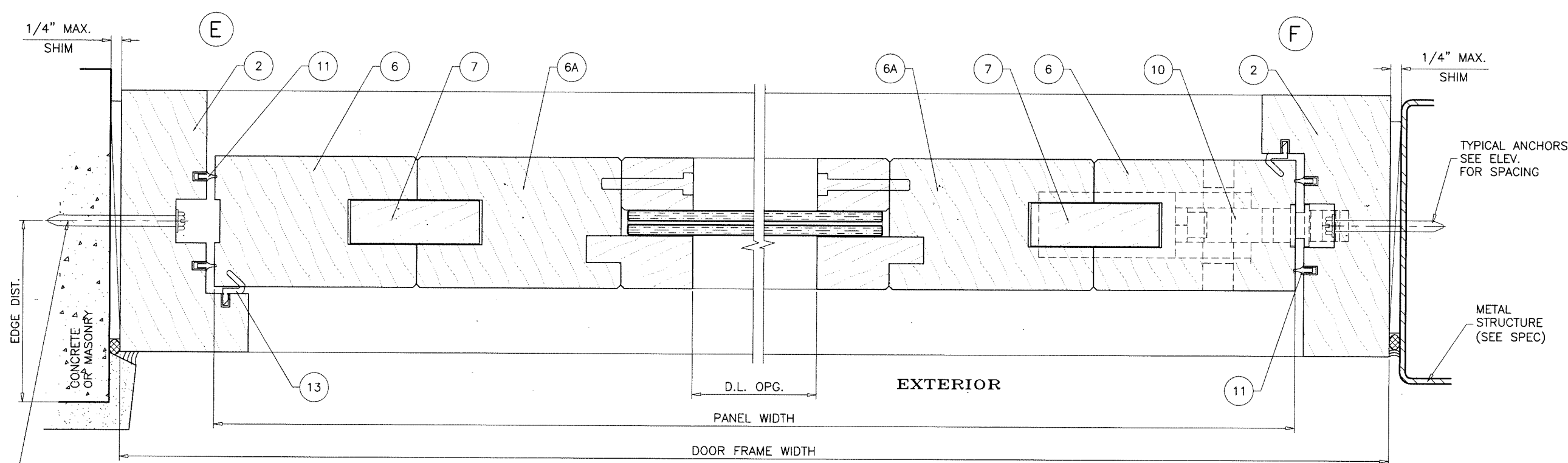
FL #41847

af c
AL-FAROOQ CORPORATION
 ENGINEERS & PRODUCT DEVELOPMENT
 9360 SUNSET DRIVE, SUITE 220
 MIAMI, FLORIDA 33173
 TEL. (305) 264-8100
 FBPE #9538
 WWW.AFCENG.COM
 COMP-ANL 22-44F-TDD

OUTSWING GLASS WOOD PIVOT DOOR (L.M.I.)
THE DOOR DISTRICT
 10471 N.W. 36th Street
 Doral, FL. 33178
 Phone: (786) 502-4752
 www.thedoordistrict.com

revisions:	no	date	by	description

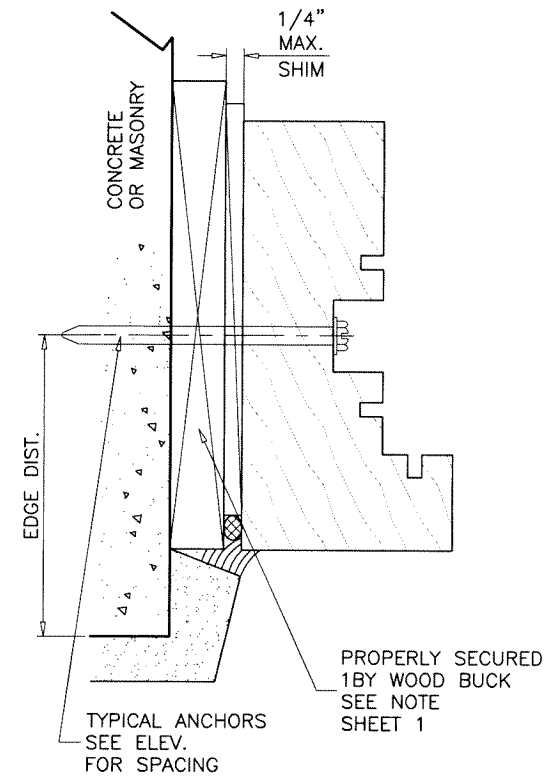
date: 11-14-22
 scale: 3/8" = 1"
 dr. by: TARIO
 chk. by:
 drawing no.
22-44F
 sheet 3 of 7



TYPICAL ANCHORS
SEE ELEV.
FOR SPACING

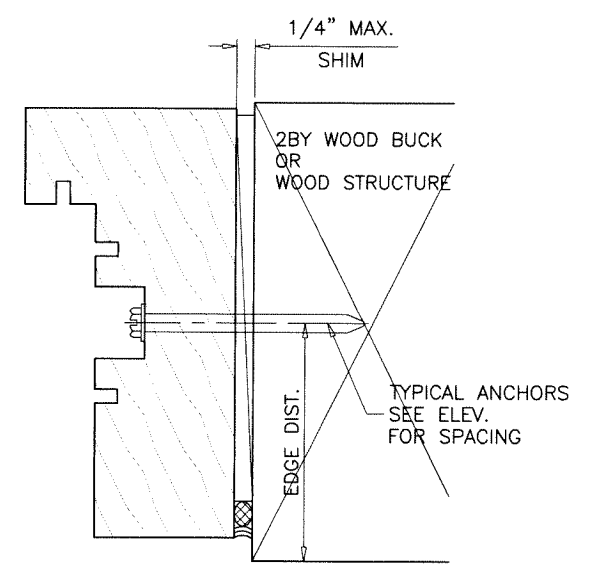
TYPICAL ANCHORS
SEE ELEV.
FOR SPACING

METAL
STRUCTURE
(SEE SPEC)



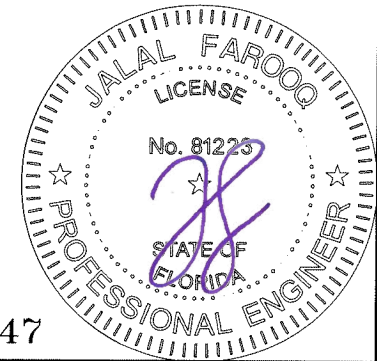
TYPICAL ANCHORS
SEE ELEV.
FOR SPACING

PROPERLY SECURED
1BY WOOD BUCK
SEE NOTE
SHEET 1



TYPICAL ANCHORS
SEE ELEV.
FOR SPACING

Sealed: 12/19/2022



FL #41847

af c
AL-FAROOQ CORPORATION
 ENGINEERS & PRODUCT DEVELOPMENT
 9360 SUNSET DRIVE, SUITE 220
 MIAMI, FLORIDA 33173
 TEL. (305) 264-8100
 WWW.AFCENG.COM
 FBPE #5538
 COMP-ANL 22-44F-TDD

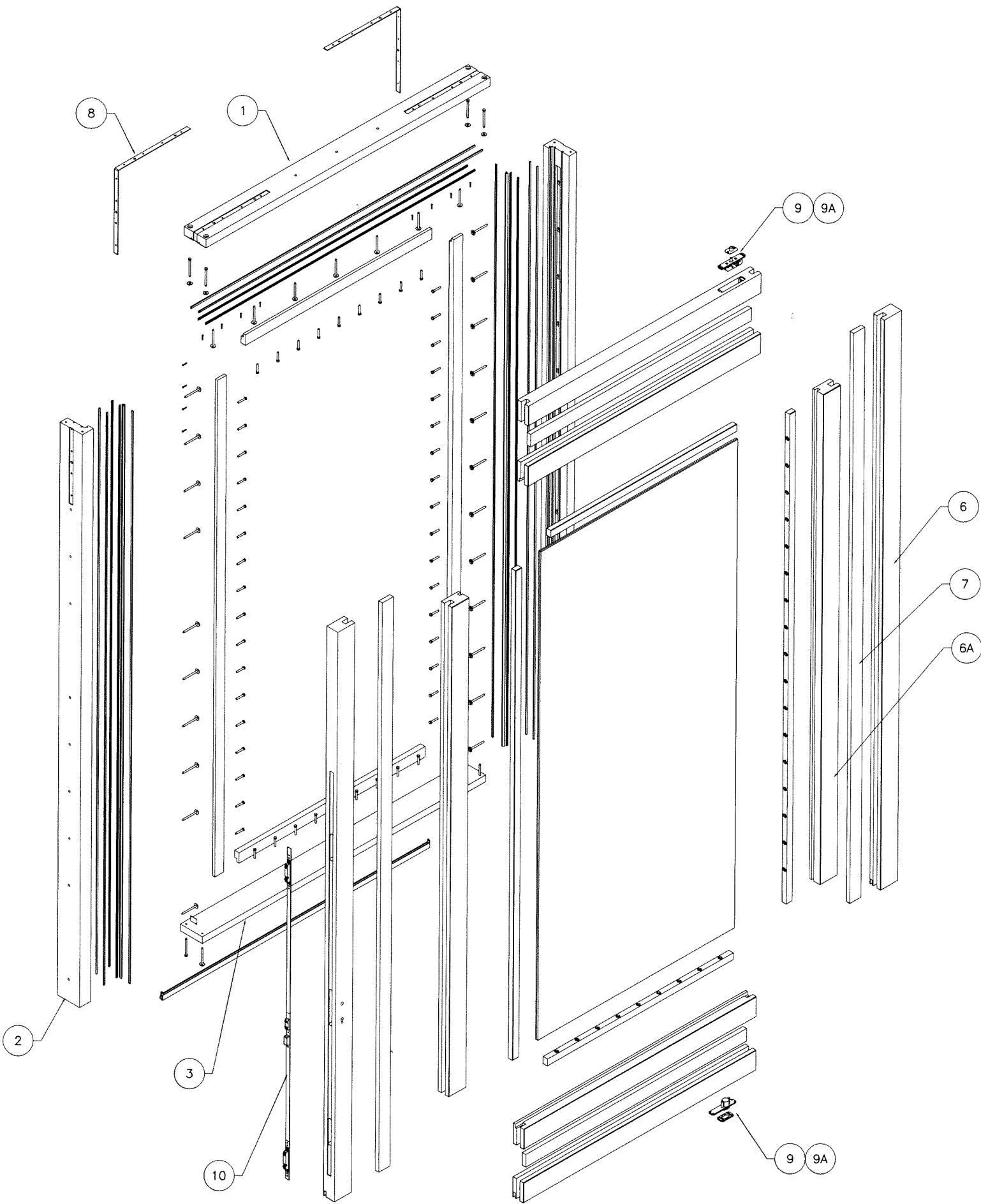
OUTSWING GLASS WOOD PIVOT DOOR (L.M.I.)
THE DOOR DISTRICT
 10471 N.W. 36th Street
 Doral, FL. 33178
 Phone: (786) 502-4752
 www.thedoordistrict.com

revisions:	no	date	by	description

date: 11-14-22
 scale: 3/8" = 1"
 dr. by: TARIO
 chk. by:

drawing no.
22-44F

sheet 4 of 7

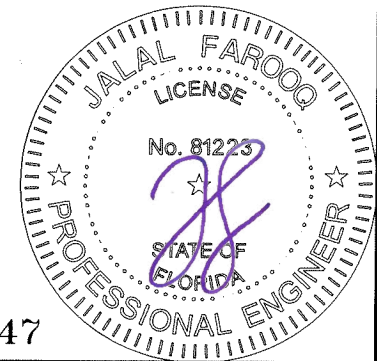


ITEM #	REQD.	DESCRIPTION	MATERIAL	MANF./SUPPLIER/REMARKS
1	1	FRAME HEAD	WOOD	-
2	2	FRAME JAMB	WOOD	-
3	1	FRAME SILL	WOOD	-
4	4	EXT. GLAZING BEAD	WOOD	-
5	4	INT. GLAZING BEAD	WOOD	-
6	4	STILE/RAIL	WOOD	-
6A	4	STILE/RAIL	WOOD	-
7	4	STILE/RAIL PLUG	WOOD	-
8	2	METAL STRAP	-	-
9	1	SYSTEM ONE PIVOT	-	FRITSJURGENS
9A	1	M-42 SYSTEM PIVOT	-	FRITSJURGENS
10	1	3 POINT LOCK SYSTEM	-	HOOPE
11	AS REQD.	FRAME W'STRIPPING	-	-
12	AS REQD.	SILL W'STRIPPING	-	-
13	AS REQD.	JAMB W'STRIPPING	-	-
14	AS REQD.	GLAZING BEAD FASTENERS	-	5/16" X 2" HEX HEAD
15	2	SETTING BLOCKS AT 1/4 POINTS	EPDM	DUROMETER 80±5 SHORE A

WOOD OPTIONS
 1- MAHOGANY
 2- OAK
 3- AMARGO
 4- SAPAN

SPECIFIC GRAVITY = 0.45 MIN.
 GRADE = 2 MIN.
 MOISTURE CONTENT = 19% MAX.

FL #41847

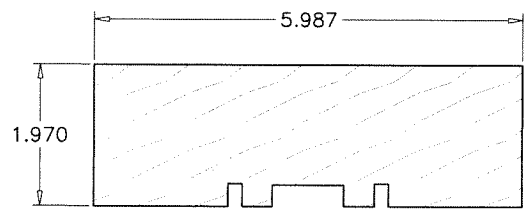


af c
AL-FAROOQ CORPORATION
 ENGINEERS & PRODUCT DEVELOPMENT
 9360 SUNSET DRIVE, SUITE 220
 MIAMI, FLORIDA 33173
 TEL. (305) 264-8100
 WWW.AFCENG.COM
 FBPE #5538
 COMP-ANL 22-44F-TDD

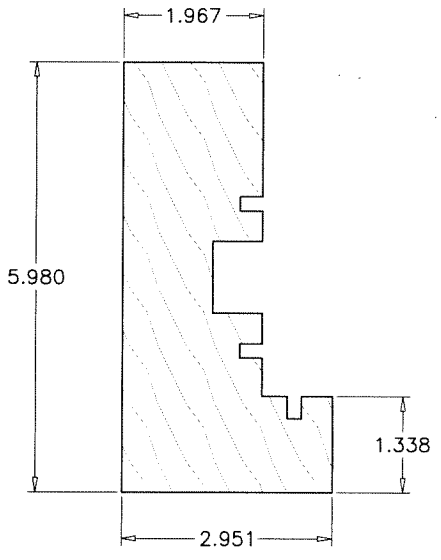
OUTSWING GLASS WOOD PIVOT DOOR (L.M.I.)
THE DOOR DISTRICT
 10471 N.W. 36th Street
 Doral, FL. 33178
 Phone: (786) 502-4752 www.thedoordistrict.com

revisions:	no	date	by	description
date:	11-14-22	scale:	-	dr. by: TARIQ
chk. by:				
drawing no.	22-44F			
sheet	5 of 7			

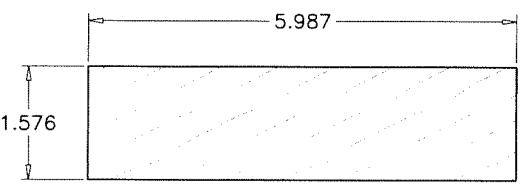
Sealed: 12/19/2022



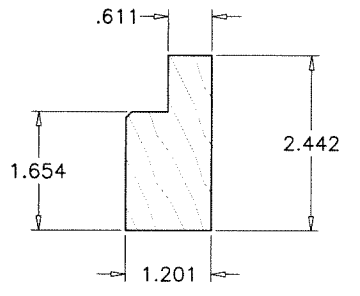
1 FRAME HEAD



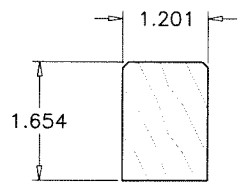
2 FRAME JAMB



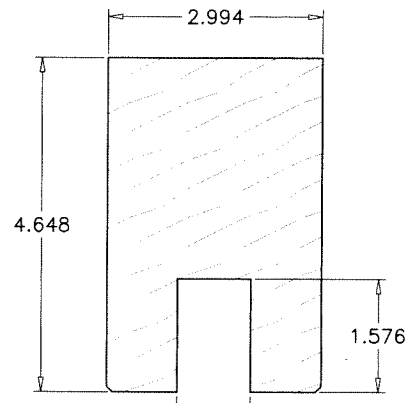
3 FRAME SILL



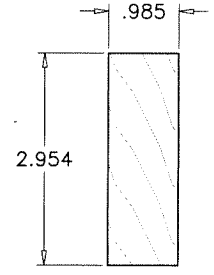
4 EXT. GLAZING BEAD



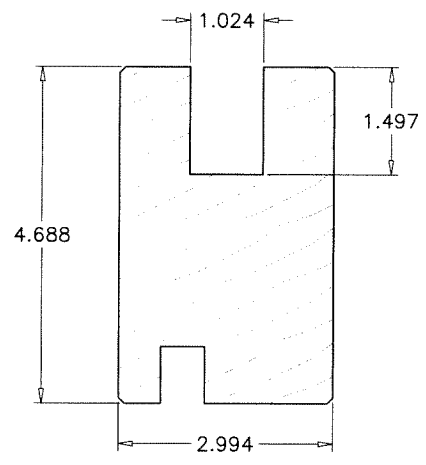
5 INT. GLAZING BEAD



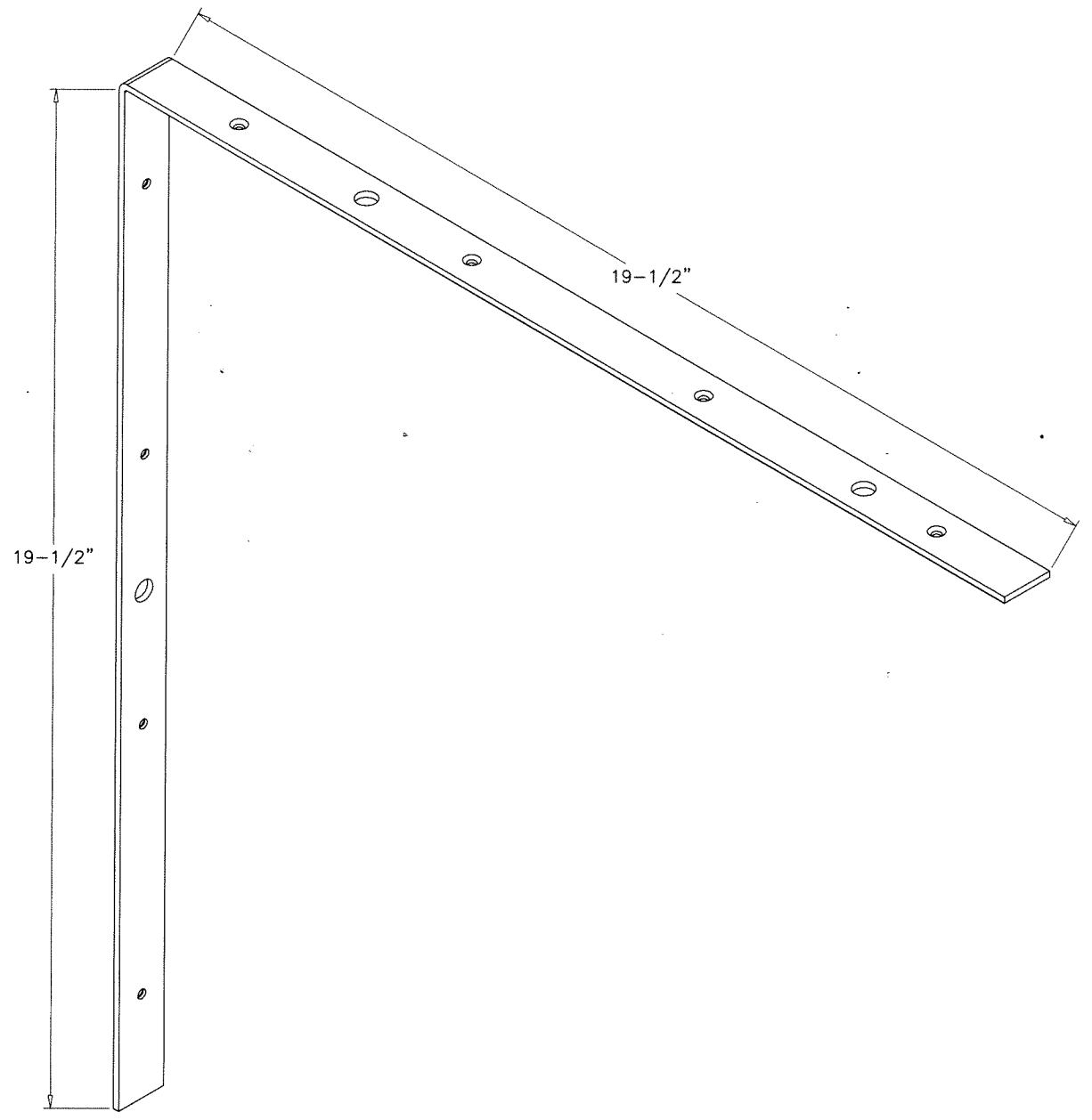
6 STILE/RAIL



7 STILE/RAIL PLUG

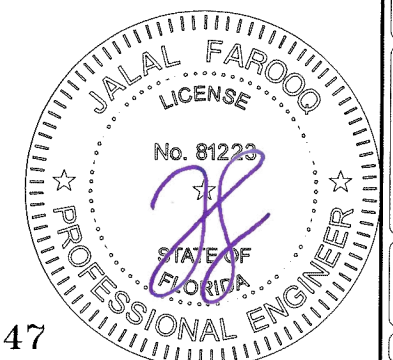


6A STILE/RAIL



8 METAL STRAP

Sealed: 12/19/2022



FL #41847

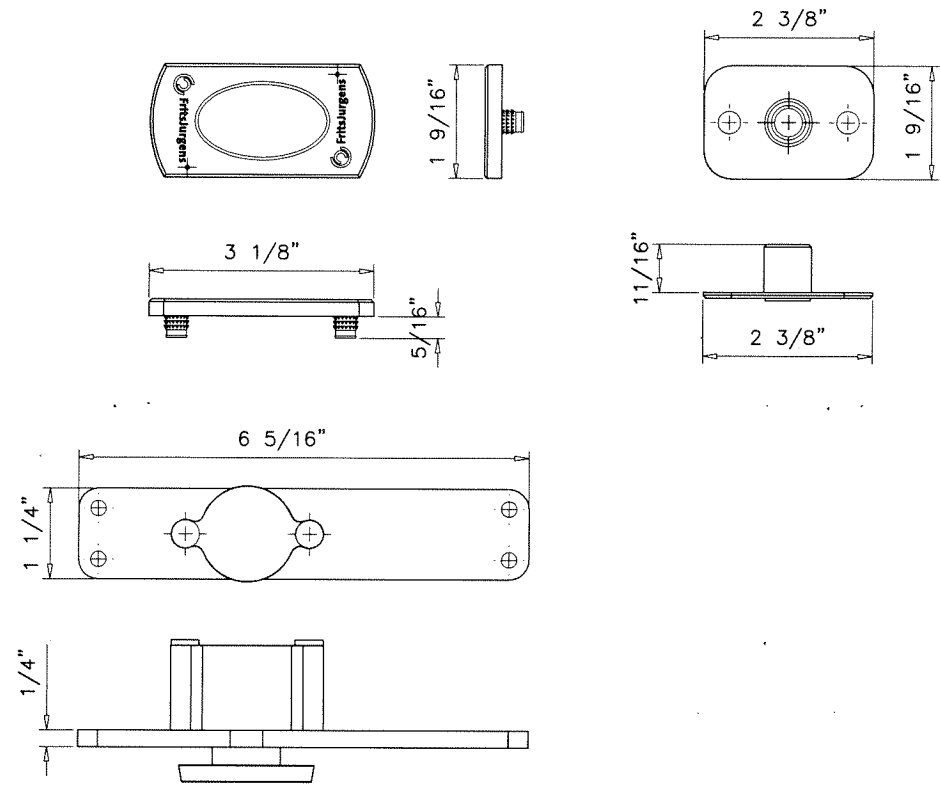
af c
AL-FAROOQ CORPORATION
 ENGINEERS & PRODUCT DEVELOPMENT
 9360 SUNSET DRIVE, SUITE 220
 MIAMI, FLORIDA 33173
 TEL. (305) 264-8100
 WWW.AFCENG.COM
 FBPE #8538
 COMP-ANL\22-44F-TDD

OUTSWING GLASS WOOD PIVOT DOOR (L.M.I.)
THE DOOR DISTRICT
 10471 N.W. 36th Street
 Doral, FL. 33178
 Phone: (786) 502-4752
 www.thedoordistrict.com

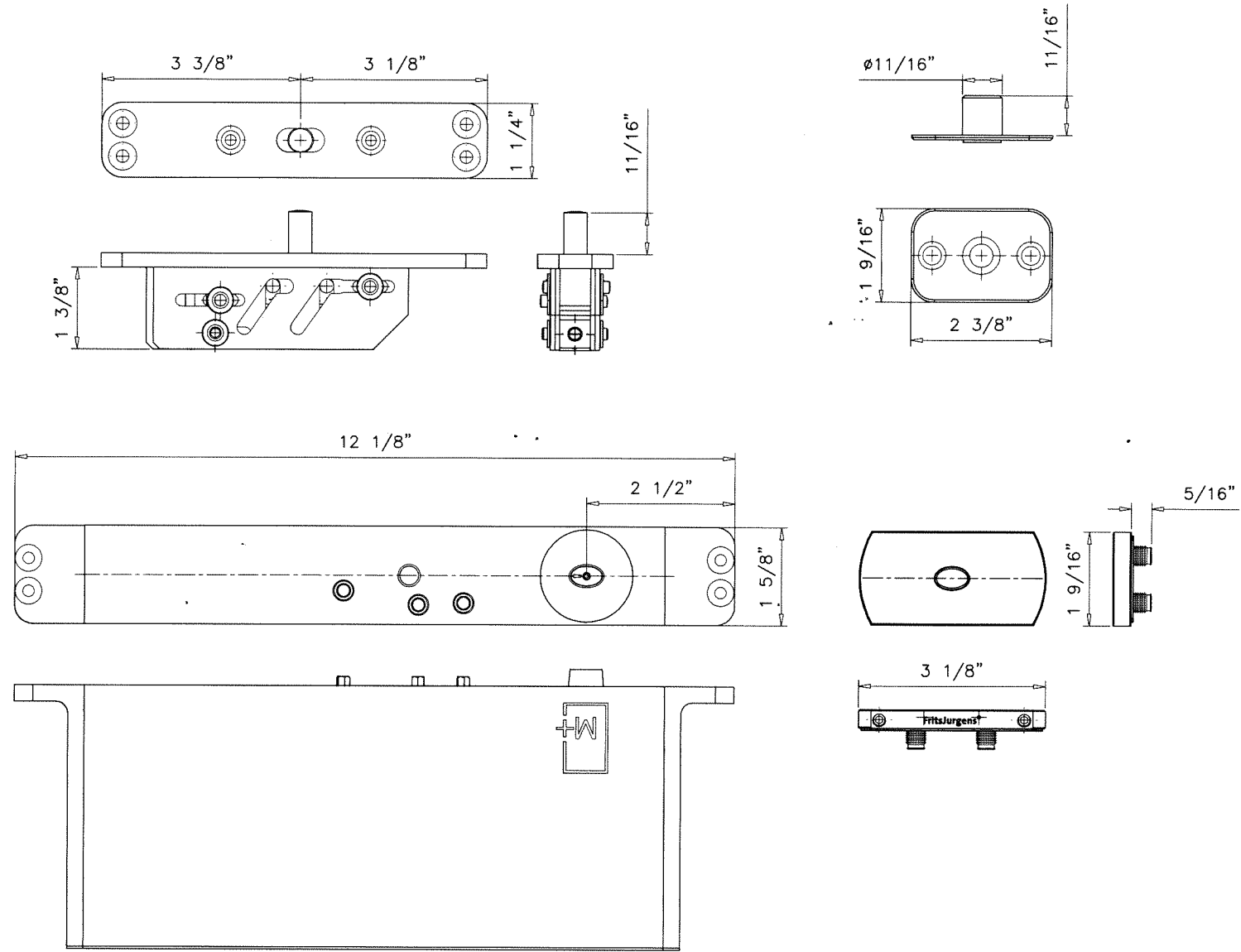
revisions:	
no.	date by description

date: 11-14-22
 scale: 3/8" = 1"
 dr. by: TARIQ
 chk. by:

drawing no.
22-44F
 sheet 6 of 7

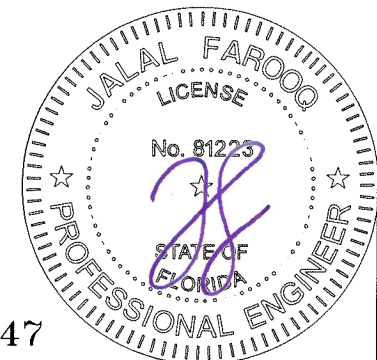


9 SYSTEM ONE PIVOT



9A M-42 SYSTEM PIVOT

Sealed: 12/19/2022



FL #41847

afc
AL-FAROOQ CORPORATION
 ENGINEERS & PRODUCT DEVELOPMENT
 9360 SUNSET DRIVE, SUITE 220
 MIAMI, FLORIDA 33173
 TEL. (305) 264-8100
 WWW.AFCENG.COM
 FBPE #8538
 COMP-ANL 22-44F-TDD

OUTSWING GLASS WOOD PIVOT DOOR (L.M.I.)
THE DOOR DISTRICT
 10471 N.W. 36th Street
 Doral, FL 33178
 Phone: (786) 502-4752 www.thedoordistrict.com

revisions:	no	date	by	description

date: 11-14-22	scale: 3/8" = 1"	dr. by: TARIQ	chk. by:
drawing no. 22-44F		sheet 7 of 7	