

KEY FEATURES – TOOL

General Information

- Works on 3/4" and 1/2" fire sprinkler heads
- Works on intact, damaged and completely sheared fire sprinkler heads
- Works on most pendant, upright, sidewall and recessed fire sprinklers
- Tested up to 350 PSI or 2400 KPA
- Designed with a Fusible Link which releases the tool when heated

Construction

- Nickel plated heat-treated steel to prevent rust and corrosion

Warranty

- 5 year limited warranty from the date of purchase to the original purchaser on all mechanical parts to be free from manufacturing defects in material and workmanship under normal conditions

Model #	Description
QTC	Commercial Fire Sprinkler Tool + Wall Mount Case
QCOM	Commercial Fire Sprinkler Tool
QC	Wall Mount Case



KEY FEATURES – WALL MOUNT

General Information

- Low profile, surface mount
- ADA compliant, UL/cUL
- Lockout tags included to protect against vandalism and theft
- Label reads: "FIRE SPRINKLER SHUTOFF TOOL"

Construction

- Cover is molded from thick, tough polycarbonate material
- UV-stabilized to keep cover clear outdoors
- High strength continuous hinge

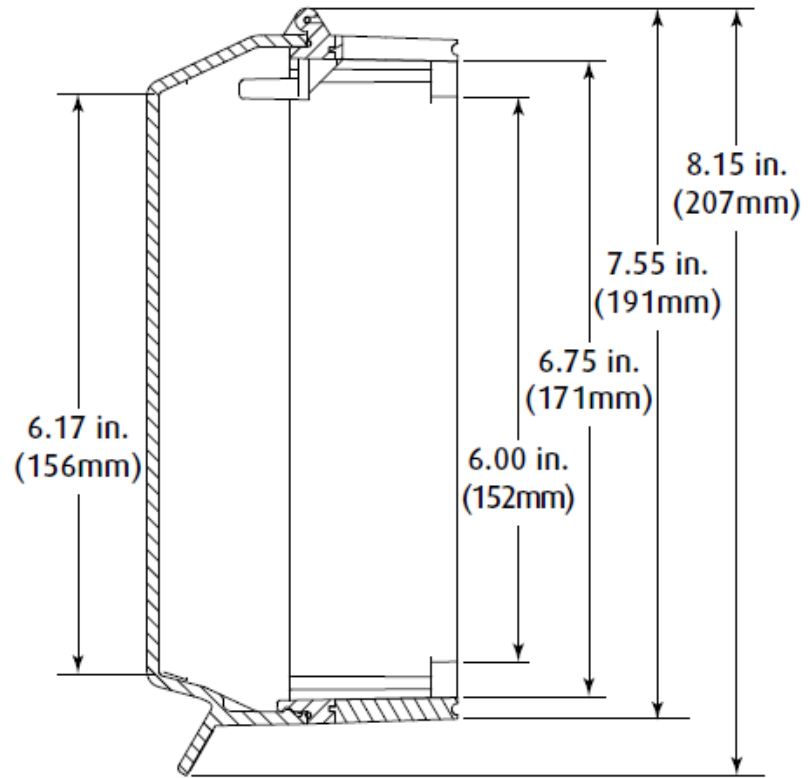
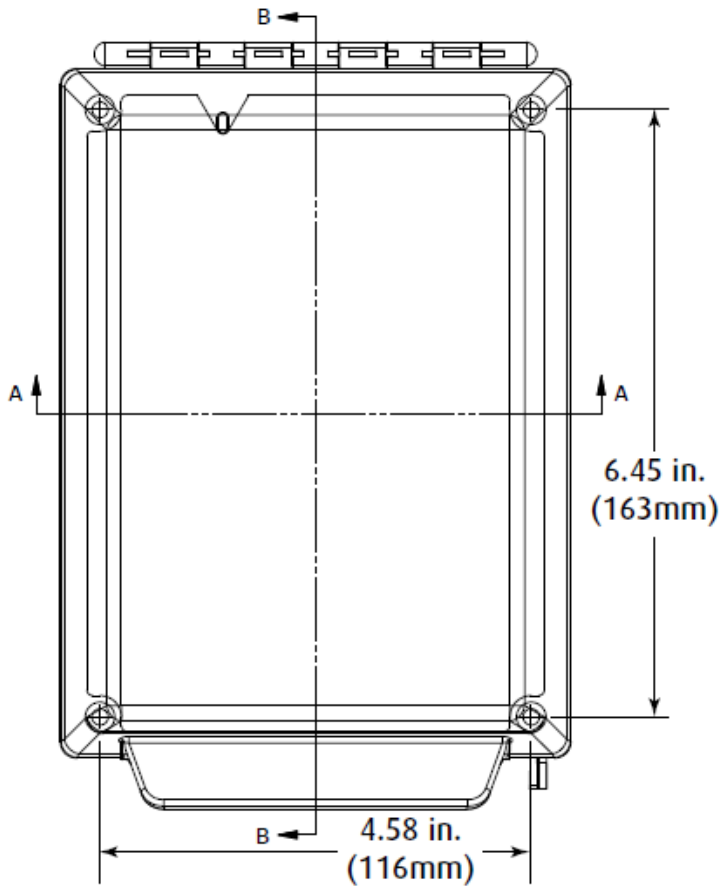
Installation

- Gaskets included
- Typical working properties of polycarbonate are -40° to 250°F (-40° to 121°C)

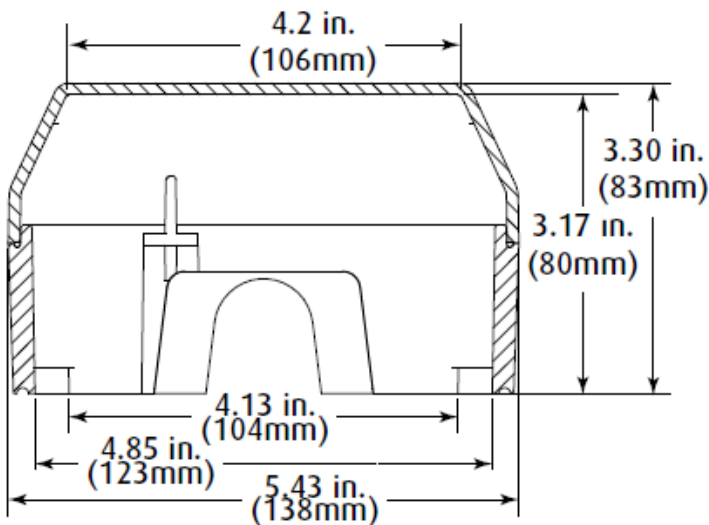
Warranty

- Three year guarantee against breakage of polycarbonate in normal use





SECTION B-B



SECTION A-A

