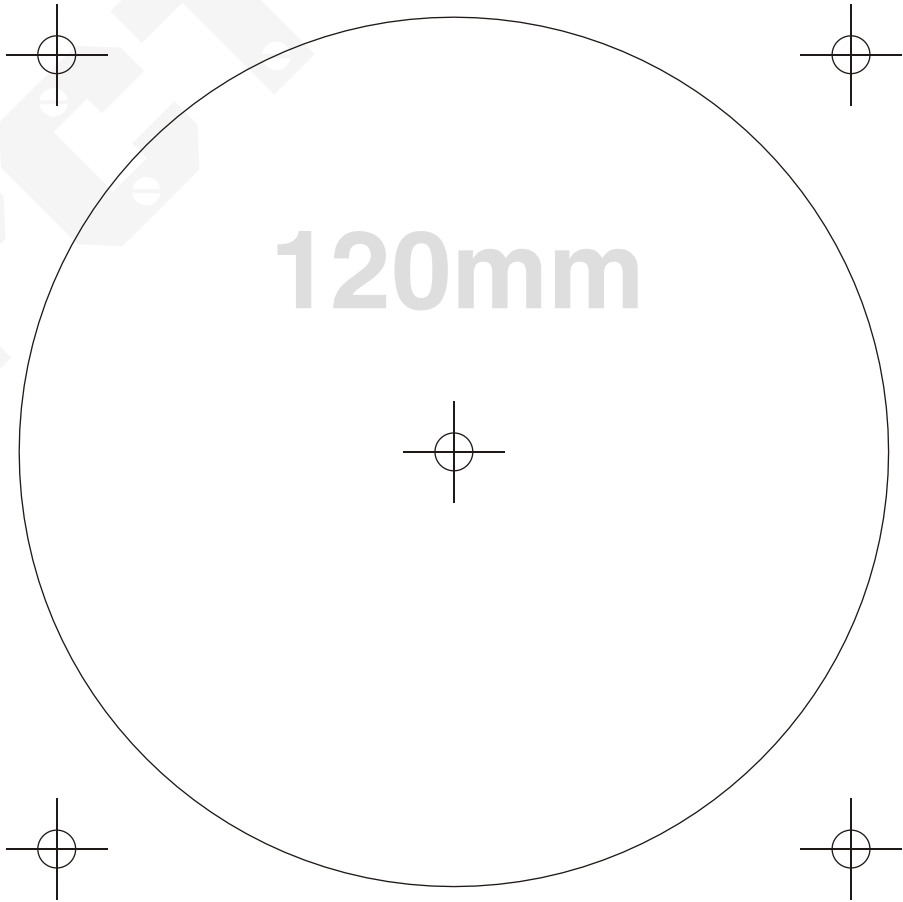
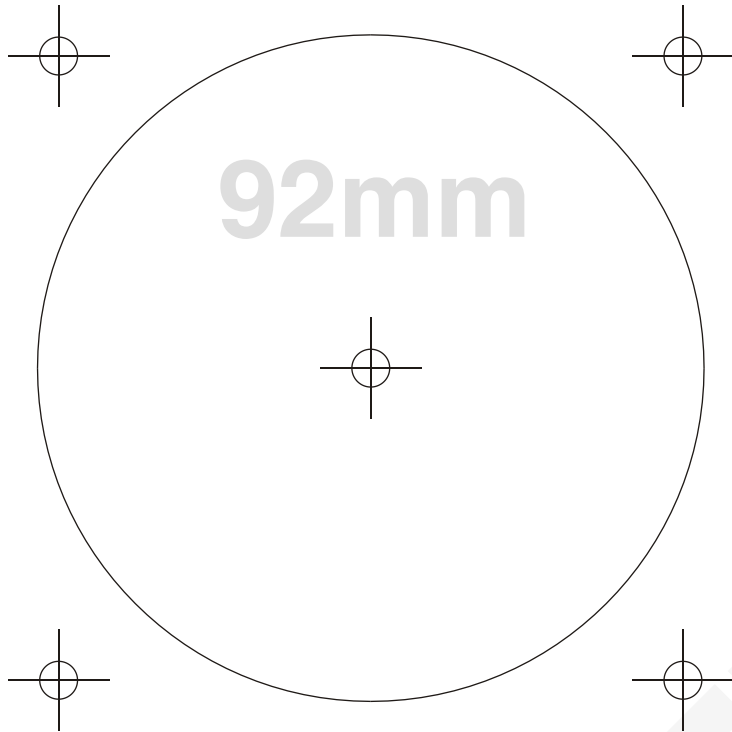


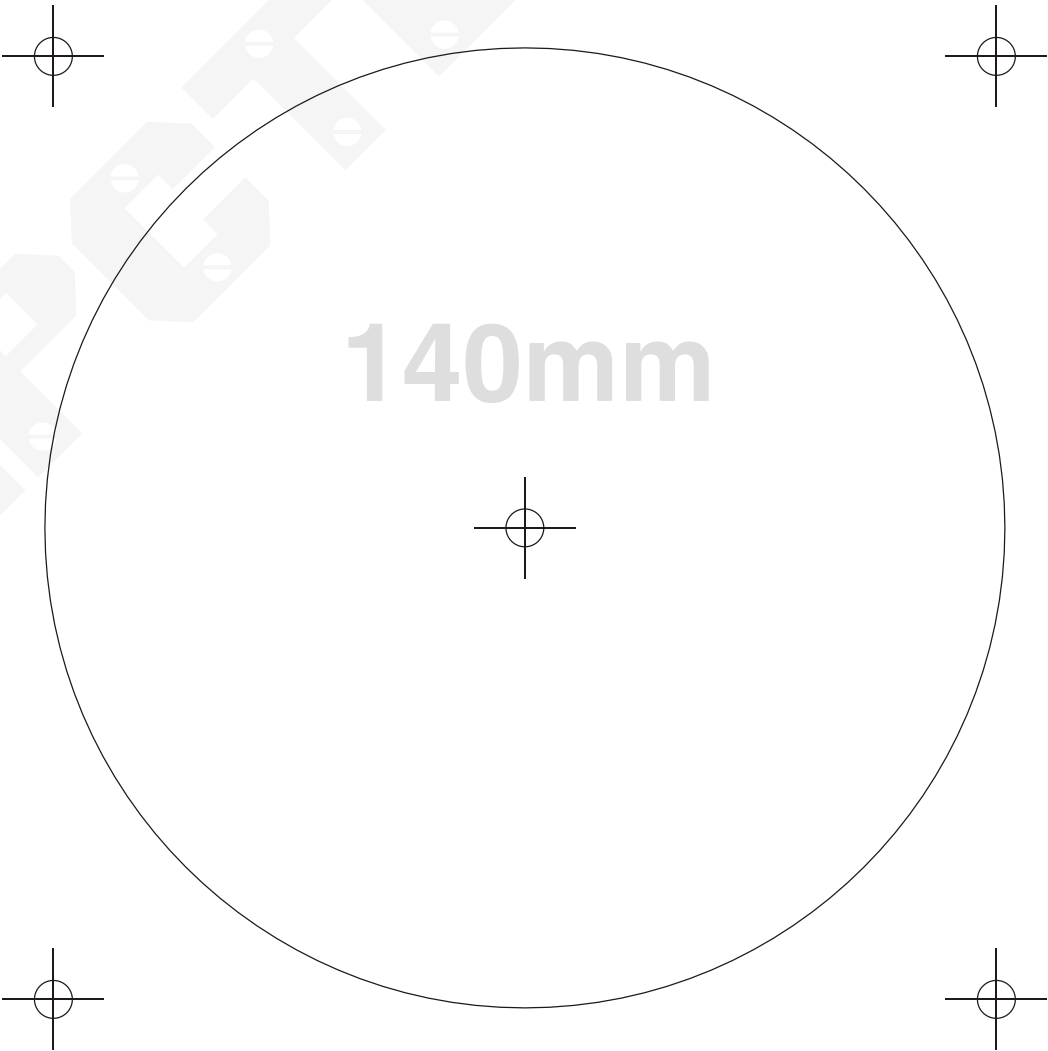
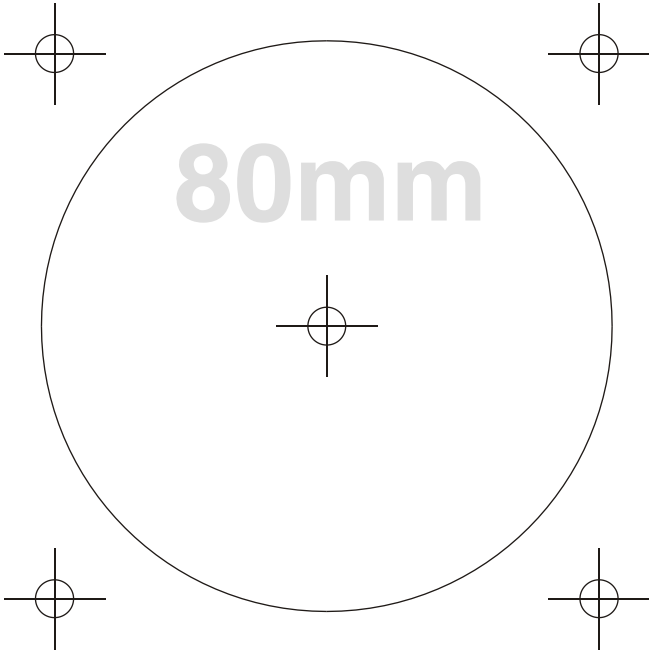
FAN TEMPLATES by **MNPCTECH.COM**

Within print dialog, be sure to select "None" for page scaling!



FAN TEMPLATES by **MNPCTECH.COM**

Within print dialog, be sure to select "None" for page scaling!



MNPCTECH.COM