

2011 - 2017 Ford Expedition EL / Lincoln Navigator

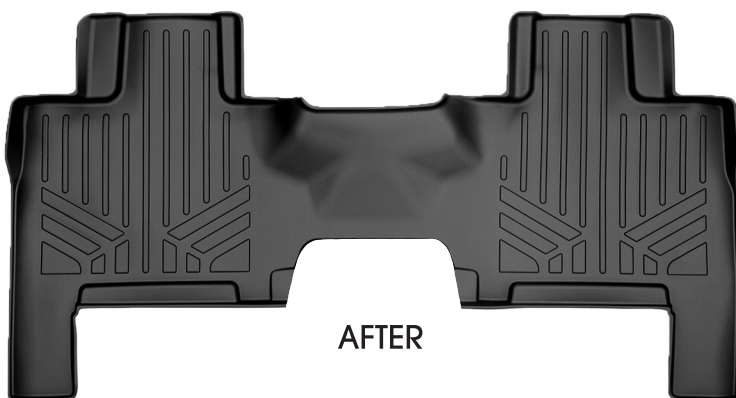
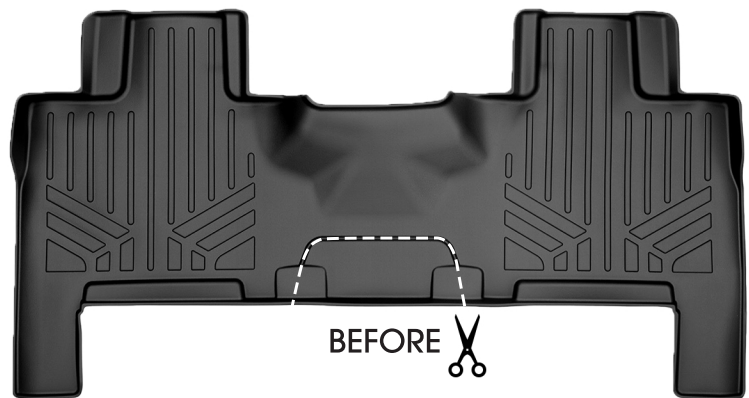
TRIM LINE INSTRUCTIONS: Floor Mat trim patterns vary per vehicle make and model.

* Please ensure you are 100% satisfied with your purchase before *
trimming, as this will void your return and warranty

Floor Mat must be trimmed for vehicles equipped with
second row center console between bucket seats.

STEP 1:

Remove Floor Mat from box and allow it to lay out in a warm area. This allows the liner to regain it's custom shape after being rolled up for shipping.



STEP 2:

Use sharp scissors or a carpenter's knife to cut along crevice in mat to remove area at bottom to accommodate vehicles with second row center console between bucket seats.



Smartliner USA



smartlinerusa



Smartliner-USA