

# 2011 - 2017 Ford Expedition EL / Lincoln Navigator

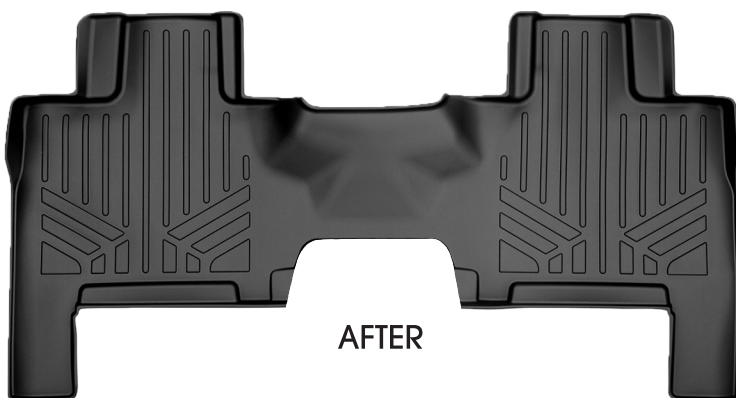
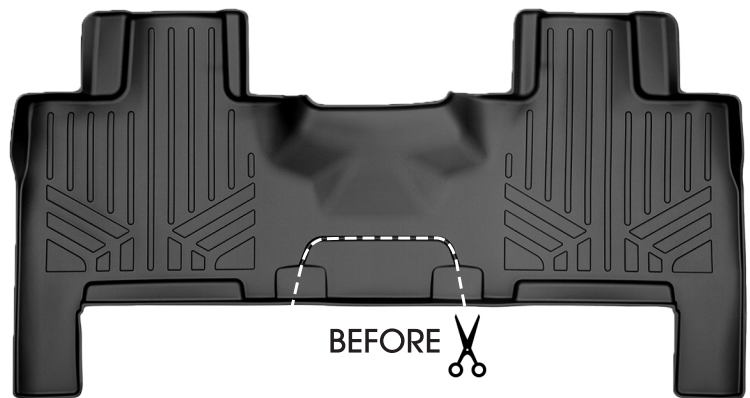
**TRIM LINE INSTRUCTIONS:** Floor Mat trim patterns vary per vehicle make and model.

\* Please ensure you are 100% satisfied with your purchase before \*  
trimming, as this will void your return and warranty

Floor Mat must be trimmed for vehicles equipped with  
second row center console between bucket seats.

## STEP 1:

Remove Floor Mat from box and allow it to lay out in a warm area. This allows the liner to regain it's custom shape after being rolled up for shipping.



## STEP 2:

Use sharp scissors or a carpenter's knife to cut along crevice in mat to remove area at bottom to accommodate vehicles with second row center console between bucket seats.



Smartliner USA



smartlinerusa



Smartliner-USA