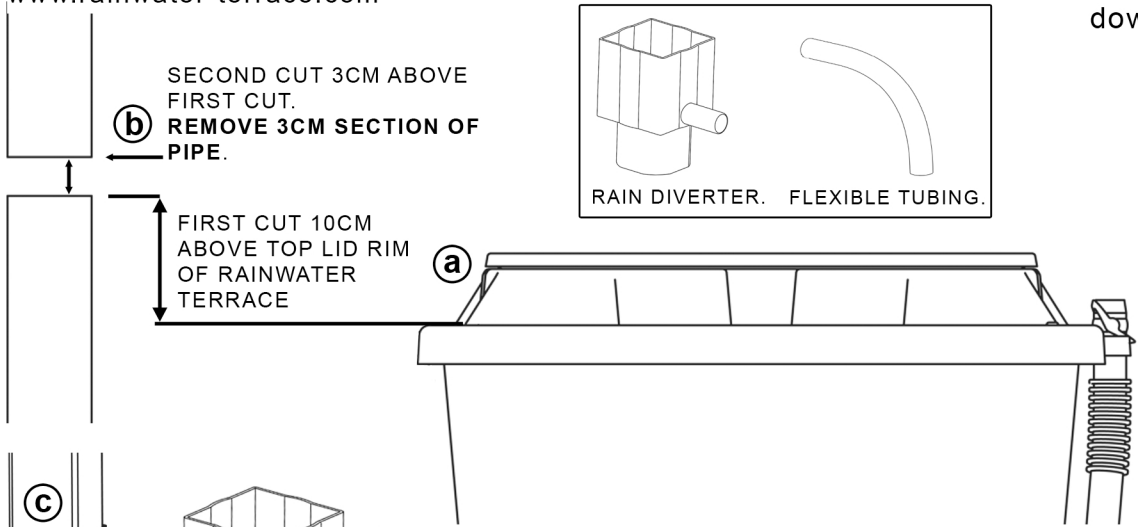


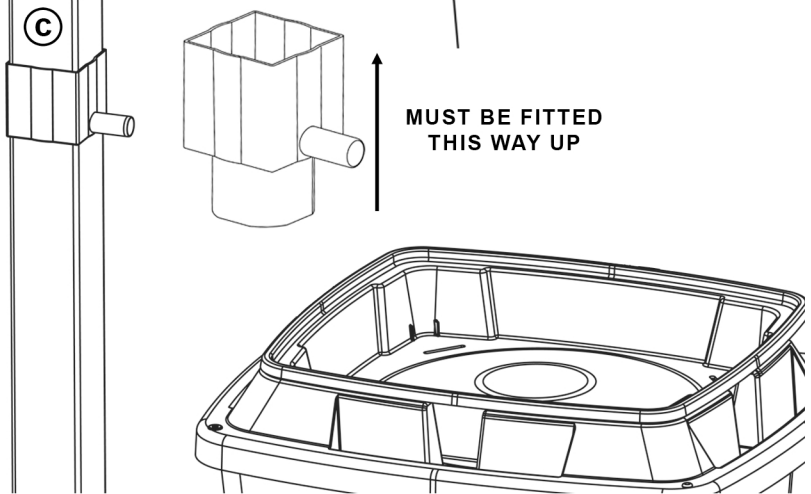
# Rain Diverter Kit Fitting Instructions

www.rainwater-terrace.com

Fits standard 68mm round and 65mm square plastic downpipes.



1. Make the first cut in the downpipe 10cm above the top lid rim of the rainwater terrace shown figure (a)
2. Make a second cut in the downpipe 3cm above the first cut shown figure (b)
3. Fit the Rain Diverter as shown in figure (c)
4. Connect the flexible tube to the Rain Diverter and top feed connector figure (d).



Address: Design 4 Plastics. Unit 402, Birch Park, Street 7, Thorp Arch Estate, Wetherby, West Yorkshire. LS23 7FG