

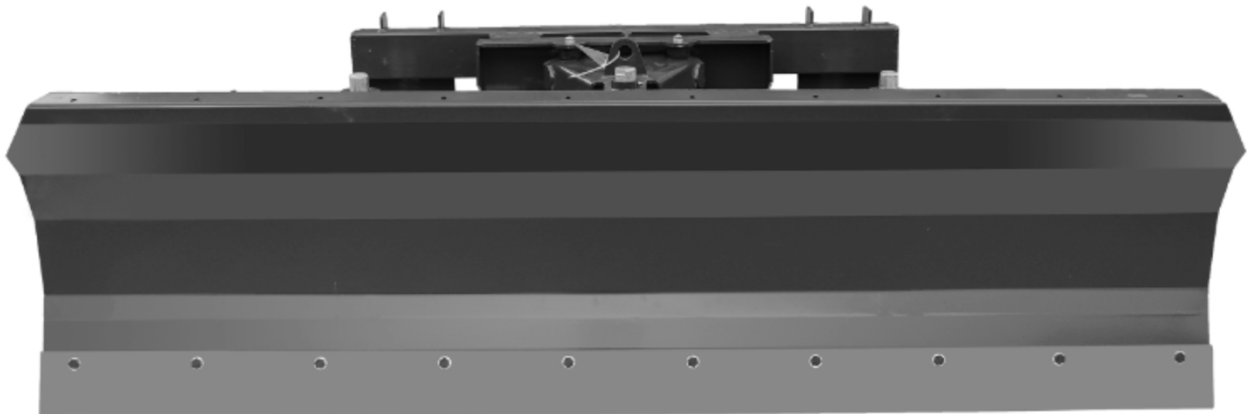


AGT
INDUSTRIAL

PRODUCT MANUAL

86"/94" Dozer Blade

Model:AGT-SPA84



- Please read the product manual completely before assembly
- Check against the parts list to make sure all parts are received
- Wear proper safety goggles or other protective gears while in assembly

Missing parts or questions on assembly?

Please email: sales@agrotkindustrial.com

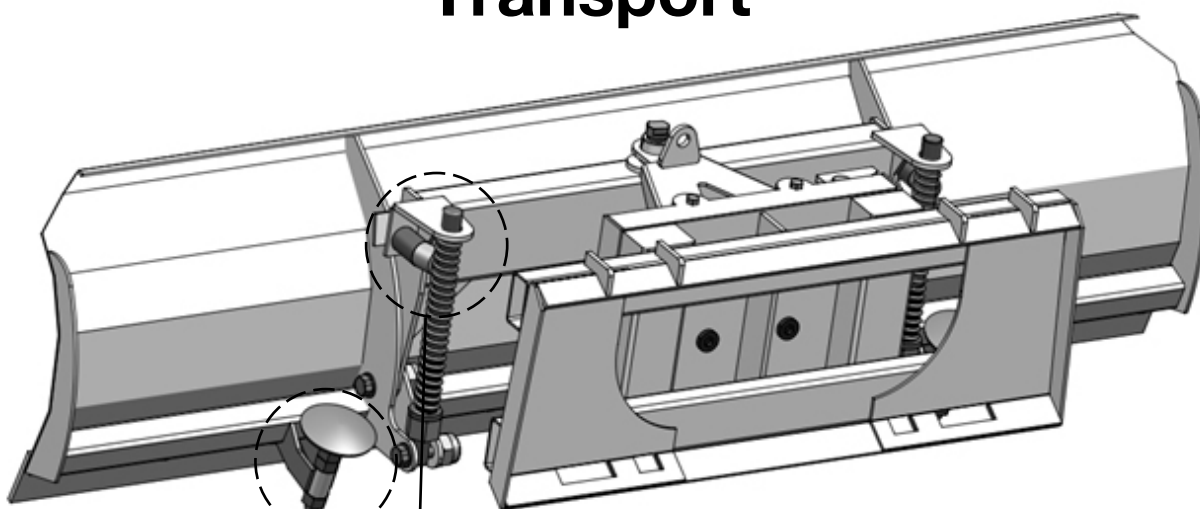
Do not return the product to dealer, they are not equipped to handle your requests

!IMPORTANT!!

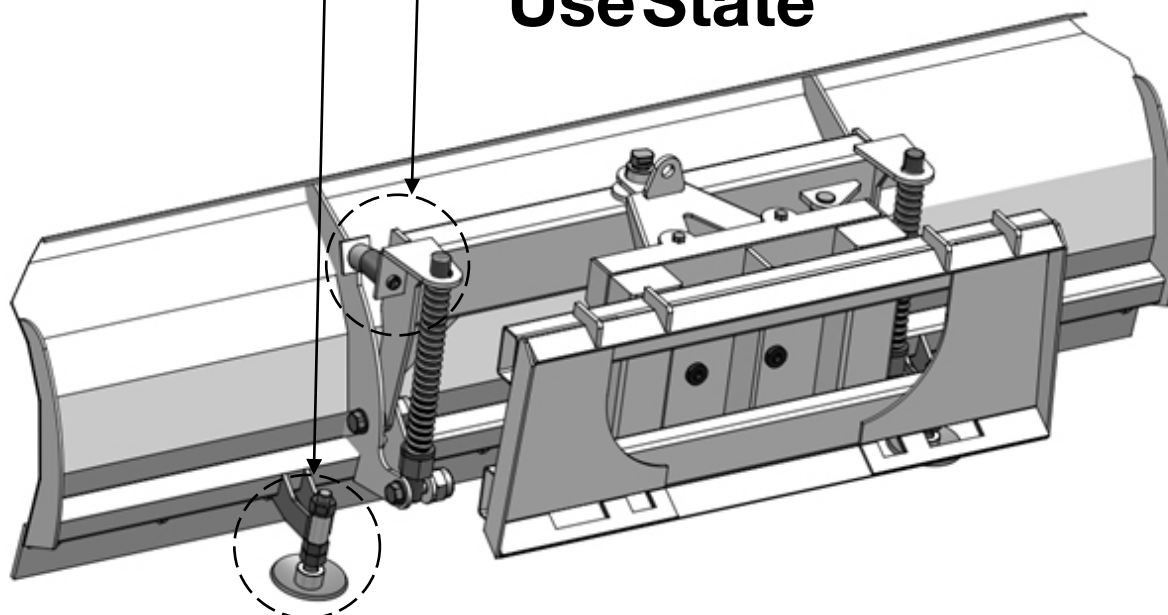
1 . The rubber bumper is attached in shipping mode. Before using this product, remove the rubber bumper from the spring rod flange. Re-attach on the opposite side of the flange. The bumper is used to absorb the shock when the blade returns to normal position after tripping.

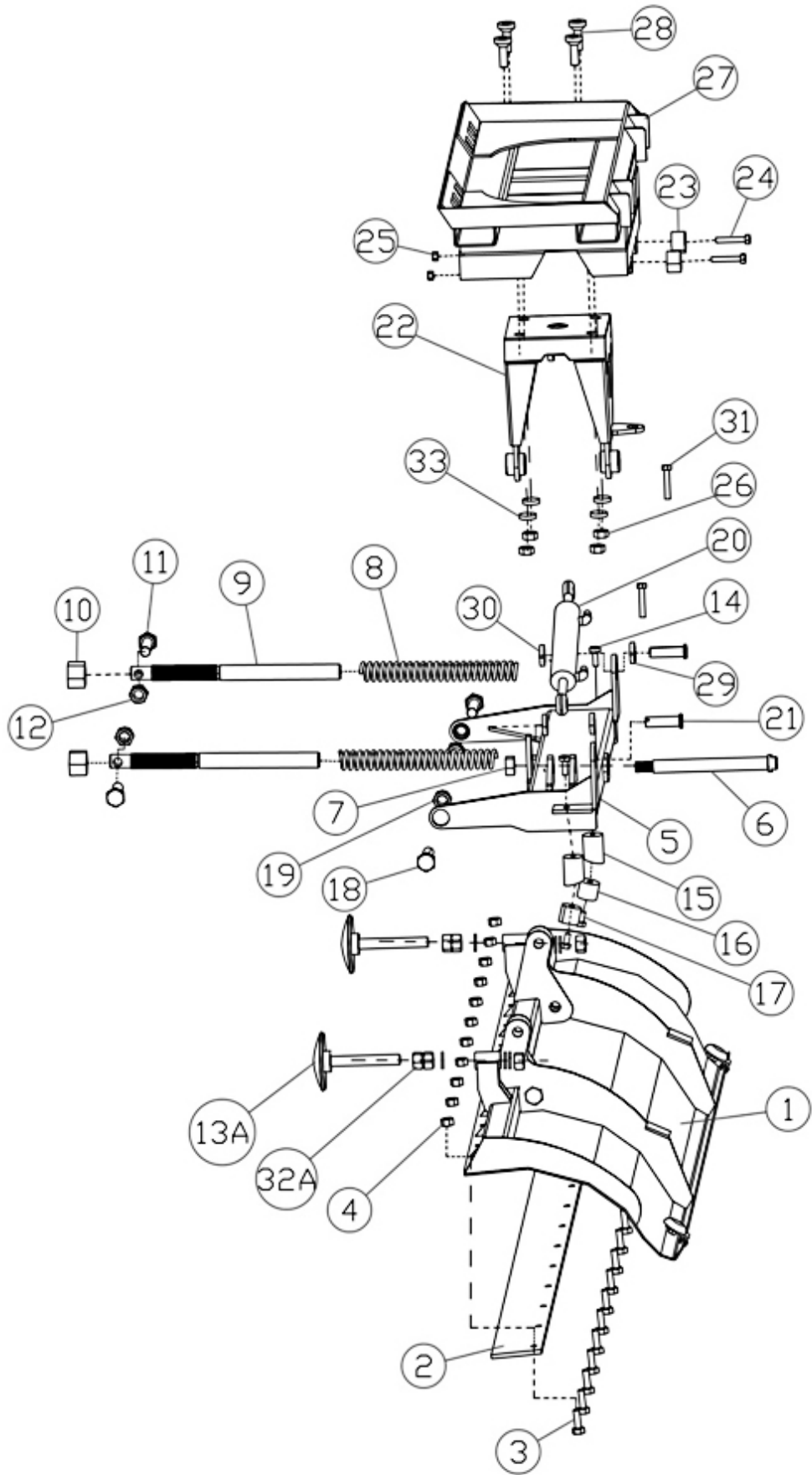
2. The limiting device is connected by means of transportation. Before using this product, please remove the limiting device and then re install it to the other end of the flange.

Transport



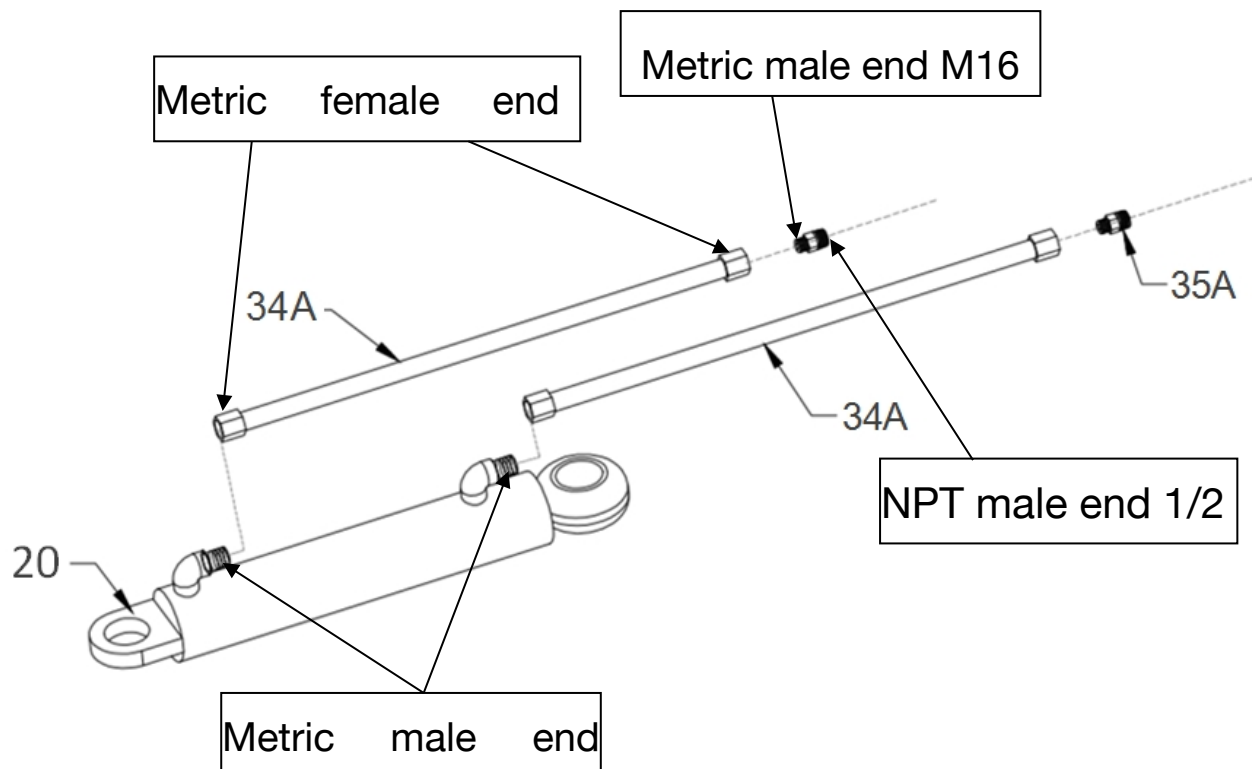
Use State





Part List

| Part Number | Description | Specifications/models | Qty |
|-------------|--------------------|----------------------------|-----|
| 1 | Blade | XC-001 | 1 |
| 2 | Blade Edge | t10mmx120mmx(2m/2.2m/2.4m) | 1 |
| 3 | Bolt | M12x40 (8.8) | 11 |
| 4 | Self Lock Nut | M12 | 11 |
| 5 | Bracket | XC-002 | 1 |
| 6 | Connecting rod | XC-1-14 | 1 |
| 7 | Self Lock Nut | M24 | 2 |
| 8 | Spring | XC-1-5 | 2 |
| 9 | Spring Rod | φ36x500 | 2 |
| 10 | Nut | m36 | 2 |
| | Gasket | φ40xt11 | 2 |
| 11 | Bolt | M20x90 (8.8) | 2 |
| 12 | Self Lock Nut | M20 | 2 |
| | Gasket | φ20x2 | 4 |
| 13A | Skid Shoe | XC-1-16 | 2 |
| 14 | Bolt | M12x25 | 2 |
| 15 | Buffer block | XC-1-15 | 2 |
| 16 | Buffer glue | φ12x45x25 | 2 |
| 17 | Flat head bolt | M12x30 | 2 |
| 18 | Bolt | M24x100 | 2 |
| 19 | Self Lock Nut | M24 | 2 |
| | Gasket | φ25x2 | 2 |
| 20A | Hydraulic cylinder | 50x60x200 | 1 |
| 21 | Pin shaft | φ24x82 | 2 |
| 22 | Triangulum | XC-004 | 1 |
| 23 | bumper | φ12x45x23 | 2 |
| 24 | Bolt | M10x35 | 2 |
| 25 | Nut | M10 | 2 |
| 26 | Self Lock Nut | M16 | 4 |
| 27 | Connecting rack | XC-003 | 1 |
| 28 | Flat head bolt | M16x60 (8.8) | 4 |
| 29 | Gasket | φ25 | 4 |
| 30 | Gasket | φ25 | 2 |
| 31 | Lock pin | φ 4x50 | 2 |
| 32A | Nut | M24 | 6 |
| 33 | Gasket | φ 17x φ 35x8mm | 2 |



| | | | |
|-----|----------------------|--|---|
| 34A | Hydraulic Hose | Metric female end M16 ($\Phi 18 \times 2300 \text{mm}$) | 2 |
| 35A | Conversion connector | Metric male end M16 NPT1/2 | 2 |