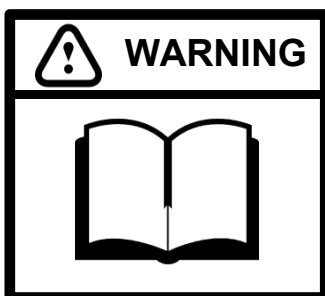


Skid Steer Front Mount Cutter-AGT-BDRC48



- This equipment can not be installed, operated or repaired without reading instructions.
- Electricity must be hooked up by certified electrician.
- Do not use this equipment beyond its rated capacity.

Missing parts or questions on assembly?

Please contact sales@agrotkindustrial.com

<https://www.agrotkindustrial.com/>

Directory

Product introduction.....	1/17
Operator.....	2/17
Safety precautions.....	3/17
Technical parameters.....	4/17
Installation.....	7/17
Handling safety.....	10/17
Limited Warranty.....	17/17

Production Introduction



1. AGT BDRC48 swing mower uses three oil cylinders to adjust the lifting and side swing, It is an excellent choice for clearing pond banks and cutting trails!
2. The blade of AGT BDRC48 brush cutter is made of boron steel. A range of hydraulic flow of 12-16 gpm is required
3. The combination of motor and gear box is adopted, which is more durable.
4. AGT provide you with a one-year warranty. If you have any problems, we are able to support the after-sale service.

Operator

Congratulations on owning this 48" Skid Steer Articulating Brush Cutter! Your Skid Steer Articulating Brush Cutter are carefully designed and manufactured to provide you with years of reliable service.

Your 48" Skid Steer Articulating Brush Cutter will need some minor maintenance to keep it in excellent working condition.

Please follow all safety precautions and maintenance procedures described in this manual.

Please read and understand the instructions in this manual carefully before operation. Please refer to the "Safety Labels" section for all instructions noted above.

No one is allowed to operate his equipment who has not fully read and understood this manual and has not been trained in safe deposit box operations.

Remember to use only parts replaced by the manufacturer.

Replacement parts may not meet the standards required for safe and reliable operation.

Safety precautions

BEFORE OPERATION

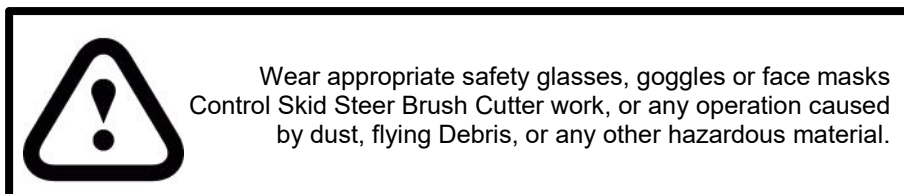
1. The operator must read the operation manual carefully before installation, operation or maintenance. Improper operation will cause the machine damaged or the operator dead.
2. Read all the safe signs and safe declarations. Obey all the professional safe terms, local laws or the professional directions.
3. Familiar with the duty Skid Steer Brush Cutter about functions, specs and operation. Replace the to-be-damaged parts in time. Make sure all the hydraulic installations and couplings connect firmly, and all the safe signs stick on the suitable positions clearly.

ALWAYS watch for overhead power lines.

DO NOT place hands or feet under mower deck while blades are spinning.

NEVER operate this brush cutter when bystanders are within 300 feet of your work area. Flying debris could cause serious injury or death.

- NEVER position your body or limbs under an unsupported cutter deck.
- DO NOT place hands or feet under mower deck while blades are spinning.
- NEVER operate this brush cutter when bystanders are within 300 feet of your work area. Flying debris could cause serious injury or death.
- NEVER position your body or limbs under an unsupported cutter deck.
- DO NOT allow this machine to contact buildings, utilities, large rocks or tree stumps or you may lose control of the skid steer loader.
- NEVER use drugs or alcoholic beverages while operating or servicing this machine.
- ALWAYS operate this attachment during daylight or well-lit areas.
- Install this brush cutter on a skid steer loader equipped with a thermoplastic polycarbonate door panel and side panels only.
- To prevent the skid steer loader and implement from rolling forward, stop the engine and set the parking brake when exiting the skid steer loader.
- Inspect implement for missing hardware prior to using this machine.
- DO NOT allow children to play on or around this equipment at any time. Store this implement in an area not frequented by children.
- ALWAYS wear the proper personal protection equipment while operating or servicing this machine. NEVER operate or service this machine with bare feet, sandals, or other light footwear.
- ALWAYS wear work gloves when handling cutter blades as they are often very sharp.
- ALWAYS use eye protection while operating or servicing this machine.
- DO NOT speed Keep your driving speed between 2 and 5 mph.



Technical parameters

Model:	BDRC48
Max cutting diameter size:	48''
Working pressure (MPa) :	20
Total width:	56''
Total height:	21''
Total length:	133''
Total weight: (lb)	890
Suitable pressure (Mpa) :	16 ~ 21
Suitable flow rate (L/min) :	50 ~ 120
Rotate speed (r/min) :	905
Blade:	2
Drive mode:	The piston motor drives directly
Angle:	90°

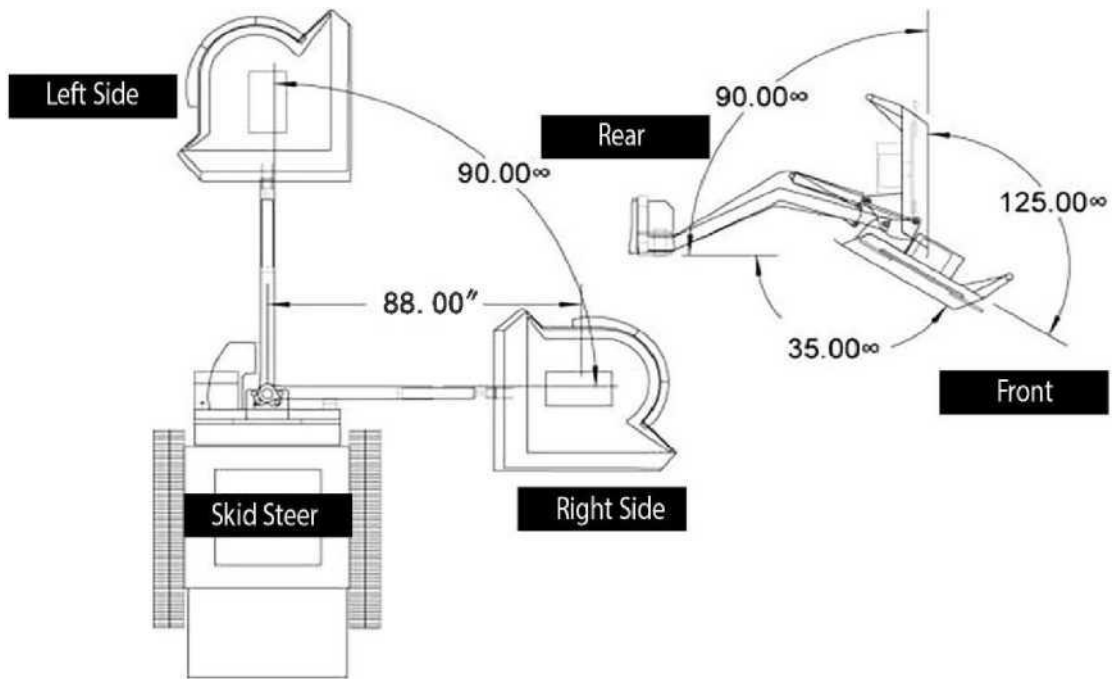
Work environment:

Temperature: -20 ~ 50 °C

Height: 100 meters or less

Relative humidity :<85%





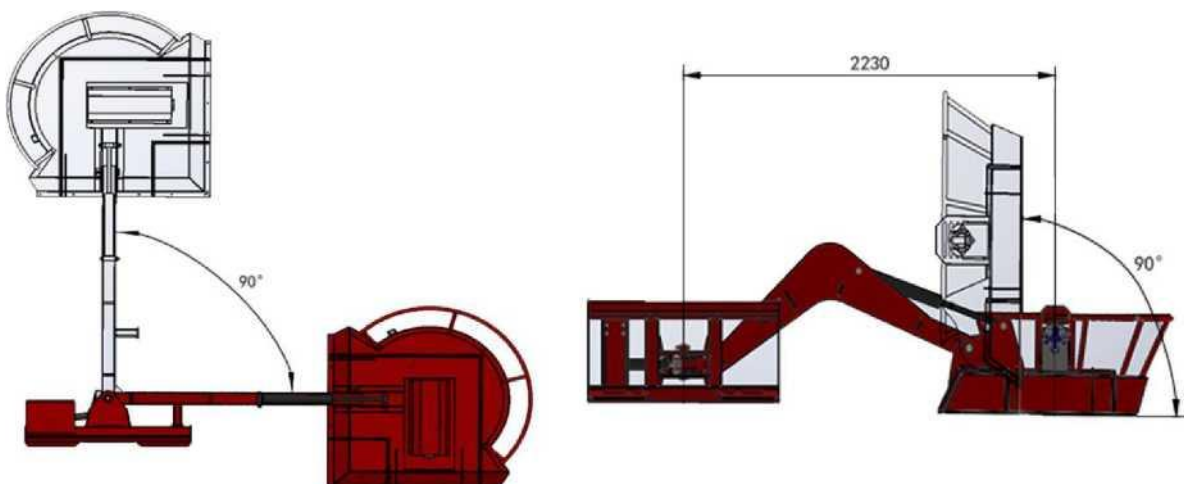
Technical parameters

Tilt Function

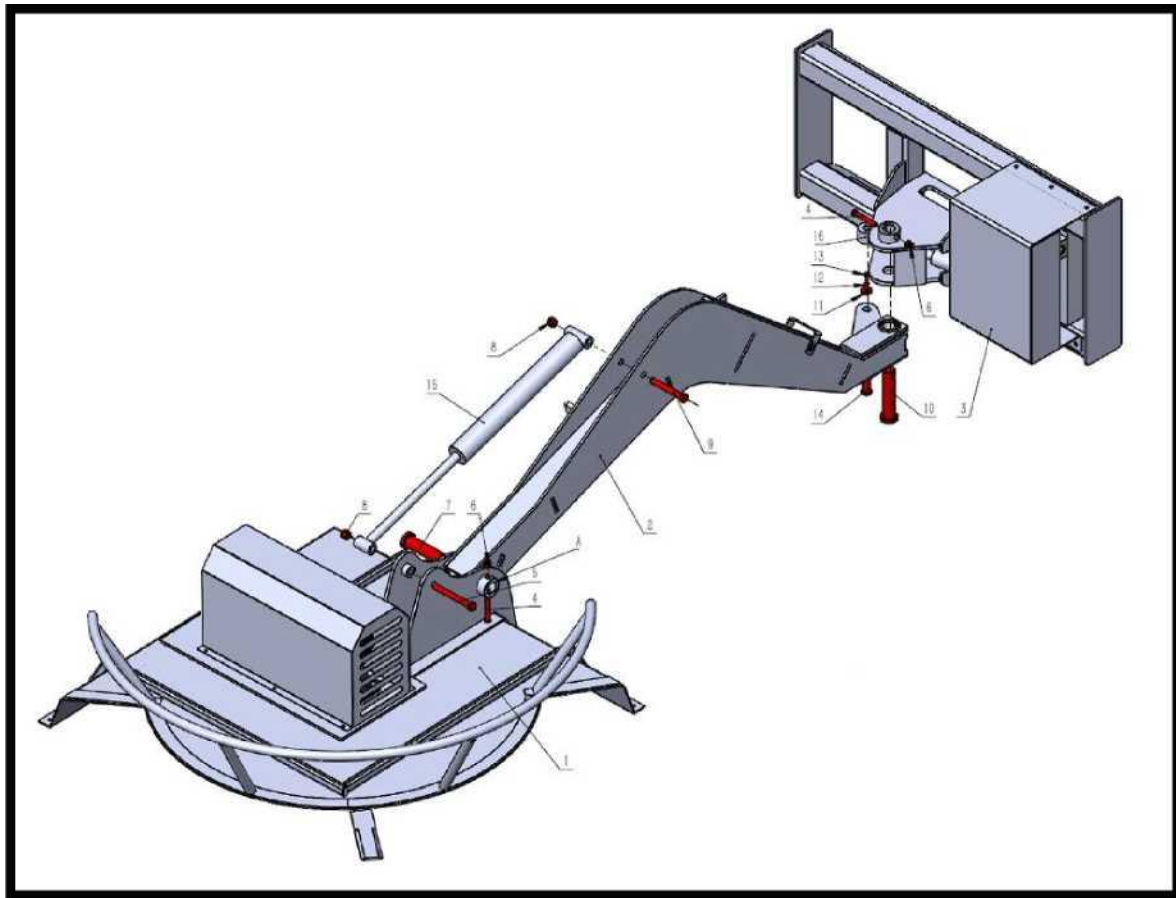
The Articulating Cutter deck can tilt up 90° from the horizontal position and tilt down 35° from the horizontal position. Use the UP and DOWN buttons on your skid steer's auxiliary electric controller, or paddle controller to tilt the cutter head. The tilt function is used for cutting on sloped terrain surfaces.



With the boom swung at 90°, you must be aware of any obstacles and terrain in front of the cutter head and in front of your skid steer. Lack of awareness may cause the skid steer loader or Articulating cutter to strike obstacles that may result in serious injury or damage to equipment.



Technical parameters



S/N	PART DESCRIPTION	QTYS	NOTE
1	Part 1	1	
2	Part 2	2	
3	Part 3	3	
4	Bolt M12*80	2	
5	Bolt M16*140	1	
6	Locking nut M12	2	
7	Turing Pivot	1	
8	Lock Nut M16	2	
9	Bolt M16*120	1	
10	Pin	1	
11	Cover	1	
12	Lock Washer	1	
13	Bolt M8*25	1	
14	Front pin	1	
15	Flip cylinder	1	
16	Oscillating cylinder	1	

Installation

Unpack and check

Check for missing or damaged components according to the packing list.

If you have any questions, please contact the supplier. List of details As the table above:

Machine installation

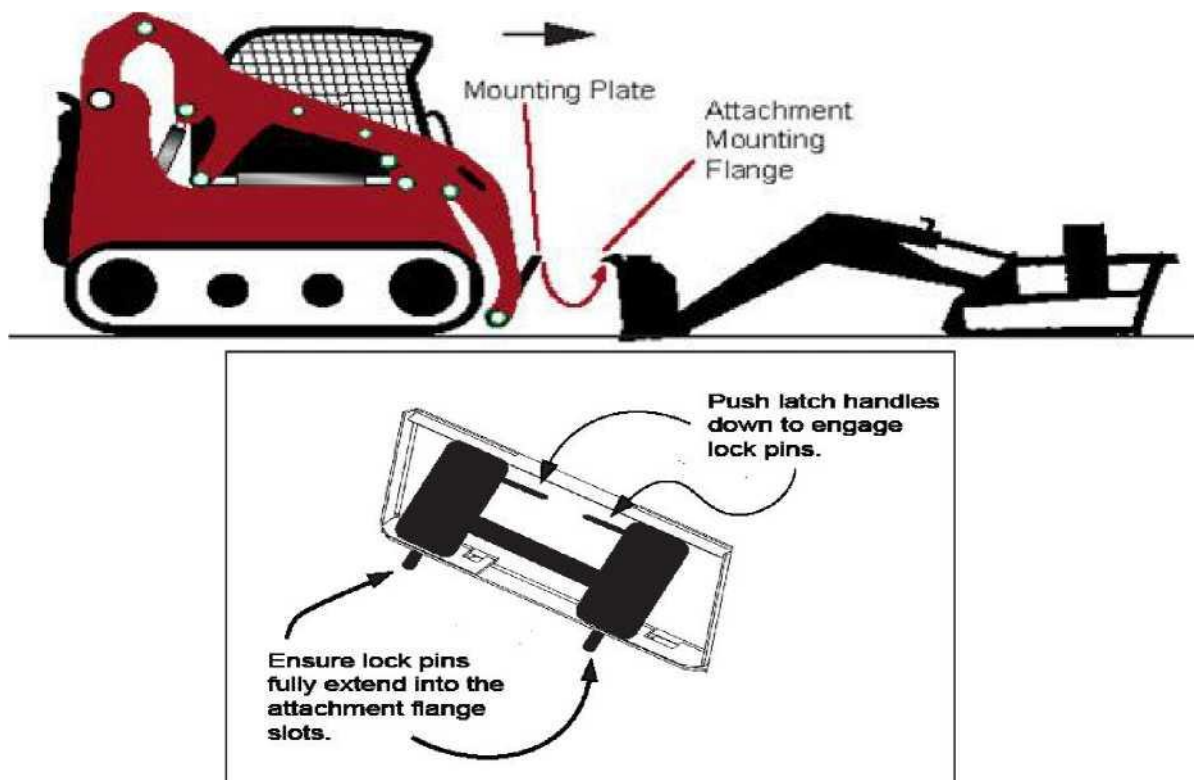
Equipment must be installed on a solid concrete floor or similar. If the ground is not firm, it will not be able to connect to the loader. There should be a space around the device for easy operation.

Connecting Brush Cutter

Consult your skid steer operator's manual for specific instructions on how to connect your brush cutter to your skid steer loader.

General Attachment Method

1. Make sure the hydraulic lines are clear from the front side of the brush cutter's attachment plate and that the locking pins on the skid steer mounting plate are retracted.
2. Drive forward and place top of skid steer mounting plate under the attachment mounting flange. See Figure 3.3 below.
3. Slowly raise and tilt back the skid steer mounting plate until the brush cutter attachment plate rests flat against the skid steer mounting plate.
4. Activate your skid steer's lever lock switch to engage and lock the pins into the flange slots of the brush cutter's attachment plate. If your skid steer does not have this switch, push the latch handles down until you can see the lock pins extend into the attachment flange.
5. Connect the attachment hydraulic hoses and the case drain hose (SBCNS model only) to the auxiliary supply couplers located on your skid steer loader lift arm.



Skid Steer Mounting Plate to Attachment Mounting Flange

Installation

Connecting Brush Cutter Cont

To keep contaminants from entering the hydraulic system; wipe off any dirt or dust from the male or female hydraulic flat face couplers with a clean rag before attaching hoses.

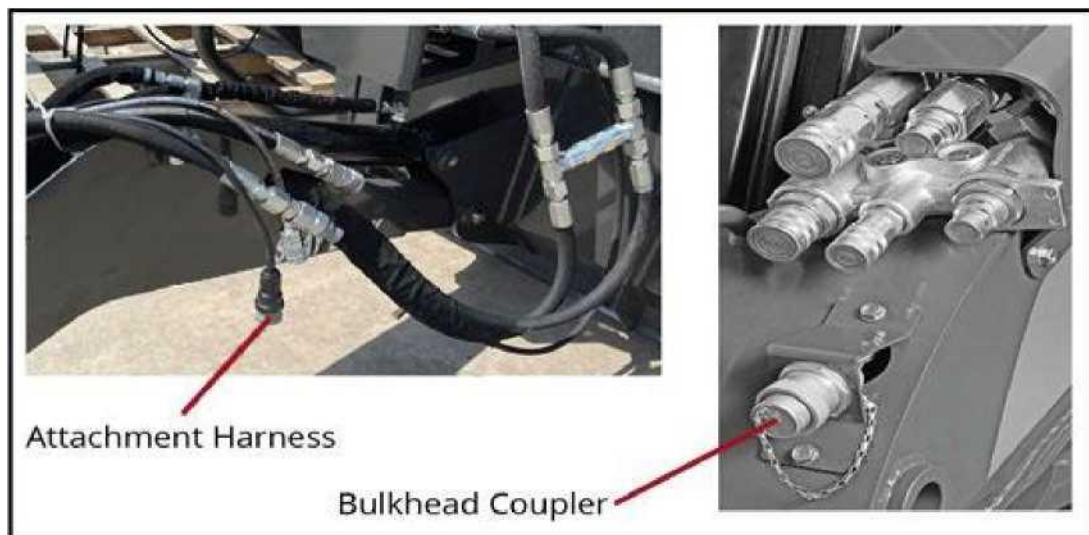
Check that the hydraulic hoses are locked into the skid steer couplers before starting the cutter.



DO NOT operate this machine if you can see the cutter blade while seated in the operator' s seat. If you can see the cutter blade, the back of the cutter is raised TOO HIGH. Lower the cutter deck to avoid from being struck by flying debris.

Connecting Electrical Harness

Connect the electrical attachment harness from the Articulating cutter to the electrical bulkhead connector mounted on the skid steer loader arm. A universal, 7, 8, or 14 pin pigtail harness adapter is available to make this connection. See Electrical Drawings, on page 47 for more information.



Installation

Note: this drawing does not represent the appearance of the equipment
For actual purchase, this figure is only for installation location reference.



Oil pipe connection: Skid Steer Articulating Brush Cutter is equipped with 3 oil pipes, which are return oil pipe, inlet oil pipe and outlet oil pipe. Connect the tubing to the loader tubing connection.

Handling safety

Maintenance Overview

The maintenance procedures described in this manual should only be carried out by qualified mechanics who have been trained to repair this machine.

Some procedures require special tools and skills to complete. DO NOT attempt to repair or perform service work on this machine unless you have the skills and tools to do so.

Contact your local dealer for maintenance and repair services.

NOTICE

Improper maintenance or modifications to the design or performance of this machine will void the warranty. ONLY use genuine AGT equipment manufacturing replacement parts on this machine.

Safety Instructions

- Obey the following safety instructions when servicing or repairing this machine.
- Wear proper Personal Protective Equipment (PPE) while working on this machine, which may include safety glasses, hard hats, steel toe boots, gloves, etc.
- Wear a welding helmet when welding to protect your eyes, face and neck from flash burn, ultra-violet radiation and heat.
- Ensure all jack stands, lifts and hoists are in good working condition and have the rated load capacity to support the load.
- If servicing is performed while the brush cutter is attached to the skid steer, turn engine off, set parking brake and chock wheels to prevent skid steer from moving.
- Only perform service work in a well-lit area.
- Allow the machine to cool down before servicing this machine. Hot oils can burn your skin.
- NEVER work under an unsupported cutter deck.

Handling safety

Maintenance Schedule

This brush cutter attachment will provide years of dependable service if routine maintenance procedures are performed. The maintenance tasks listed below are based on normal operating conditions. More frequent maintenance may be necessary with intense use or when operating in adverse environmental conditions.

MAINTENANCE TASK	BEFORE EACH USE	WEEKLY	WEEKLY
Check skid steer loader hydraulic fluid level. Add fluid as necessary.			
Check that all fasteners (nuts, bolts,, washers, pins, keepers) are in place. Tighten as necessary.	√		
Inspect and replace any worn, torn, or missing safety decals.	√		
Inspect hydraulic plumbing (hoses and connectors) for damage or leakage. Repair or replace hydraulic items as necessary.	√		
Check condition of cutter blades. Sharpen or replace as necessary.	√	√	√
Check oil level in bearing housing. Add fluid as necessary.		√	
Change oil in bearing housing. * Change oil after 50 hours of first time use, then every 1000 hrs or yearly.			√
Wash Brush Cutter		√	
Check brush cutter for major scratches and dings. Sand and repaint these areas to prevent rust damage. *Use a paint formulated for farm equipment which can be found at your local hardware store.			√
Lubricate all pivot joints.			√

Handling safety

Storage Tips

To get years of quality use out of your brush cutter, follow these storage tips:



Ensure brush cutter is free of debris, dirt, grime and grease.



Store your brush cutter in a dry shed or garage.



When storing your brush cutter for the season,
cover with a weather proof tarp to protect it from the elements.

Blade Holder Removal

WARNING

To avoid an accident that could result in death or serious injury, **NEVER** place your body under an unsupported cutter deck when servicing this brush cutter.
ONLY service the brush cutter on stable, even terrain. **NEVER** park on sloped terrain to avoid being struck and killed or seriously injured by the unexpected rolling or movement of the skid steer.

NOTICE

ALWAYS release the hydraulic system pressure from the auxiliary hydraulic circuit prior to removing the blade holder.

Handling safety

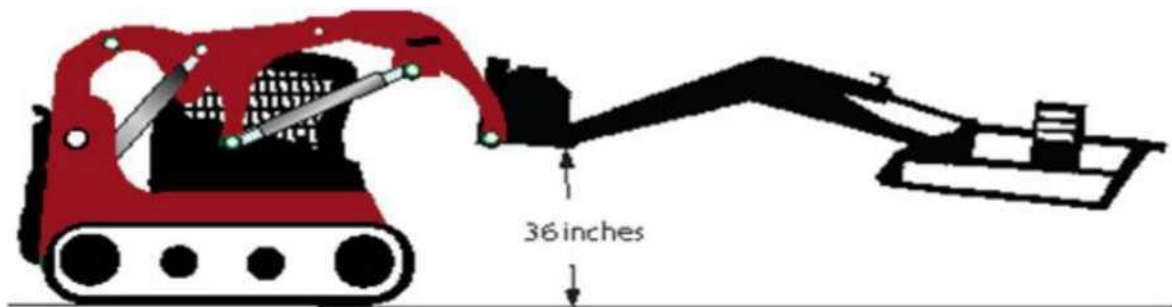
First Time Use Procedure

Before operating the brush cutter, check the skid steer's hydraulic oil level and add oil if necessary.

If you are operating the brush cutter ensure the case drain hose is properly attached to the prime mover's case drain connection. **DO NOT** operate this attachment **WITHOUT** the case drain hose attached. Excessive hydraulic pressure will blow out the seals.

Ensure that hydraulic hoses are securely locked to the skid steer hydraulic couplers before starting the brush cutter.

After starting skid steer, lift attachment 36 inches off the ground surface:



1. With the skid steer engine RPMs just above idle, activate the skid steer's auxiliary hydraulic system.
2. Swing the boom to the right using the skid steer's auxiliary electrical controller, or by holding down the RT button on the paddle controller.
3. Tilt the cutter up by holding down the UP button on the paddle controller. Then tilt in the opposite direction by holding down the DOWN button.
4. Swing the boom to the straightforward position and tilt the cutter to the level position using the buttons on the paddle controller.
5. Allow the cutter to run for 30 seconds to purge air from the system, then turn off hydraulic flow to the brush cutter and allow it to come to a complete stop.
6. Lower the brush cutter to the ground, set parking brake, shut off the skid steer's engine and exit the operator's compartment.
7. Check the skid steer's hydraulic oil level, add oil if necessary

Handling safety

OSHA 1910.266 Appendix A - First-aid Kits

Source:

http://www.osha.gov/pls/oshaweb/owadisp.show_document?p_table=STANDARDS&p_id=9863. Accessed: 16 Dec 09

The first-aid kit information below was directly obtained from OSHA regulations.

Having a kit available at the job site is required by OSHA for logging operations and is highly recommended by AGT Manufacturing.

The following list sets forth the minimally acceptable number and type of first-aid supplies for first-aid kits required under paragraph (d)(2) of the logging standard. The contents of the first-aid kit listed should be adequate for small work sites, consisting of approximately two to three employees. When larger operations or multiple operations are being conducted at the same location, additional first-aid kits should be provided at the work site or additional quantities of supplies should be included in the first-aid kits:

1. Gauze pads (at least 4x4 inches).
2. Two large gauze pads (at least 8x10 inches).
3. Box adhesive bandages (band-aids).
4. One package gauze roller bandage at least 2 inches wide.
5. Two triangular bandages.
6. Wound cleaning agent such as sealed moistened towelettes.
7. Scissors.
8. At least one blanket.
9. Tweezers.
10. Adhesive tape.
11. Latex gloves.
12. Equipment such as resuscitation bag, airway, or pocket mask.
13. Two elastic wraps.
14. Splint.
15. Directions for requesting emergency assistance.

Handling safety

Inspection Checklist

This checklist is to be completed prior to every use of the tree shear. DO NOT use a tree shear that fails inspection until it has been repaired.

Check for damaged hoses or hydraulic leaks. See hydraulic safety precautions in this manual. Grease all Imbrication points. See lubrication point diagram in this manual.

Check the blade cutting edge. Note: minor blade damage will not affectthe operation of the shear.

Dress with a grinder periodically.

Check for cracked welds.

Check for bent or damaged components.

Check for damaged cylinder pins.

Check for missing or loose fasteners (bolts, nuts, snap rings, etc.)

Inspector Name

Date

*****IMPORTANT*****

If you are using your Skid Steer Articulating Brush Cutter as part of a commercial operation it is HIGHLY recommended that you keep a copy of all inspections performed on the machine and the Skid Steer Articulating Brush Cutter. Also maintain records of repairs that are performed as a result of failed inspections. OSHA inspectors will likely ask for proof that you are taking steps to mitigate risks and to comply with OSHA regulations. Refer to www.osha.gov on the Internet and search for "1910.266" to display regulations specific to logging operations.

Handling safety

Safely Checking for Hydraulic Leaks

WARNING:

There is significant risk of injection from the high pressure spray at hydraulic leaks

- The tremendous energy used to operate the machine and attachments can be stored in the hydraulic system even when the machine engine is off.
- Very serious injuries from hydraulic fluid injection can seem insignificant at first. Often it can seem like a pin prick or tingling, but later it may require amputation.

HIGH PRESSURE LEAKS ARE OFTEN INVISIBLE.

Hydraulic system injuries can include:

- Burns from hot fluid
- Injection of hydraulic fluid
- Trauma from energized components or flailing lines

DO	DO NOT
<p>Always Lock Out Tag Out machine controls before working on the machine or attachment.</p> <p>Always use the methods recommended by the manufacturer to block loader arms and other moving components to prevent accidental movement.</p> <p>Always use appropriate PPE (Personal Protective Equipment) when working on/around machinery.</p> <p>Take an approved safety course related to hydraulic systems. Local university extension programs and equipment dealers will offer training on hydraulic safety.</p>	<p>Do not use your hands, or other body parts, to inspect for hydraulic leaks.</p> <p>Do not position yourself in pinch points when the machine has not been properly blocked, locked out and tagged out.</p> <p>Do not "crack" a hydraulic fitting to release hydraulic pressure. Severe risk of injection.</p> <p>Do not tighten or loosen hydraulic components when the system is pressurized.</p> <p>Do not assume that the system is depressurized</p>

Limited Warranty

The goal of agrotk industrial.("AGT") warranty policy is to assure confidence, reduce downtime and minimize cost of ownership. Should you want to verify warranty, or should potential issues arise, please contact your authorized dealer or AGT' s Customer Service Team at service@agrotkindustrial.com, +1 913-244-6269 and we will strive to resolve any issues in a timely manner.

AGT Attachments ("AGT") offers a Limited Warranty on Shear, Grapple, and Puller Attachments delivered hereunder against faulty workmanship and use of defective materials for a period of twenty four (24) months from the date of shipment to the original purchaser from USA and/or USA Authorized Dealers. AGT offers a Limited Warranty on Saw Attachments against faulty design, material, and workmanship for normal use when properly maintained for a period of twelve (12) months from date of shipment. The Warranty for all products listed above and delivered hereunder to Rental users is for a period of six (6) months from the date of shipment to the original purchaser. Seller offers a Limited Warranty for miscellaneous parts and accessories such as cylinders, hoses, switches, valves and wiring delivered here under against faulty workmanship and use of defective materials for a period of three (3) months from the date of shipment. This warranty does not include, and there in hereby excludes, maintenance parts and consumables including but not limited to hydraulic fluid, oil, belts, teeth, blades, filters and other similar items.

AGT offers a Limited Warranty on Auger Attachments against faulty design, material, and workmanship for normal use when properly maintained.

Auger Gearboxes are warranted for a period of sixty (60) months from date of shipment, Auger Motors are warranted for twenty four (24) months from date of shipment. Auger Bits, Frames and Cradles are warranted for a period of twelve (12) months from date of shipment. Refer to the Product Manual for proper maintenance procedures. Spare, Replacement and After Warranty Parts including hoses and components are warranted for three (3) months. AGT Auger Teeth, Pilots, Adaptors and Extensions are manufactured with a patented design to interface with AGT Auger attachments extensions and adaptors. The use of attachments other than AGT Auger Teeth, Pilots, attachments, extensions and/or adaptors, will void all warranty on Auger Drive and Bits. The use of AGT adaptors on unapproved attachments is not sanctioned. A "home-made" or non-standard attachment outside the specifications for the machine will void all warranty.