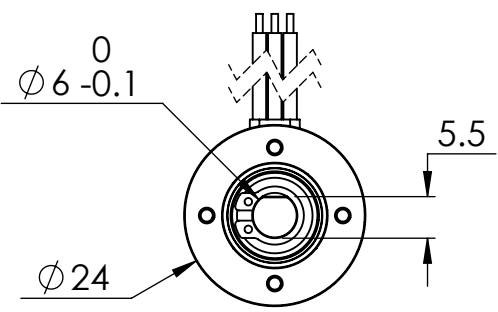
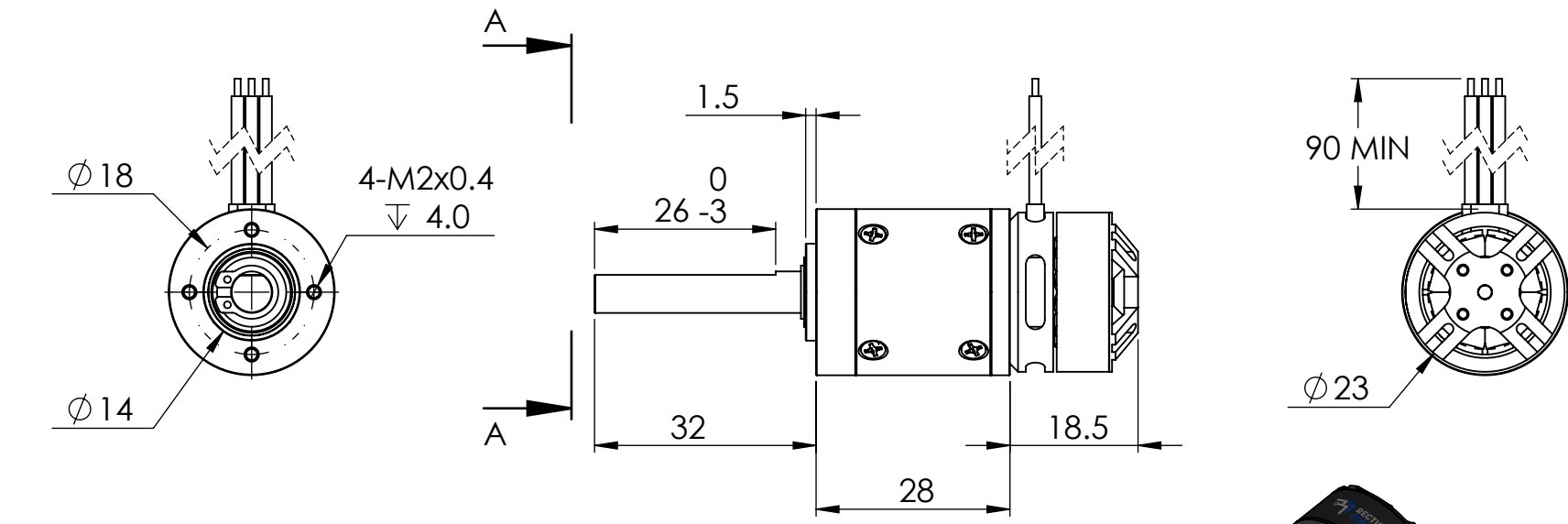


2

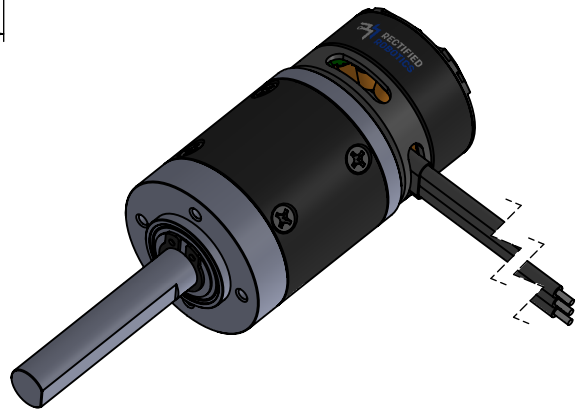
1

B

B



SECTION A-A



A

A

UNLESS OTHERWISE SPECIFIED:		NAME	DATE
DIMENSIONS ARE IN MM		DRAWN	C COLLINS 07/25/23
TOLERANCES:		CHECKED	K EHLERS 07/25/23
ZERO PLACE DECIMAL ±0.5		ENG APPR.	N SORENSEN 07/26/23
ONE PLACE DECIMAL ±0.3		MFG APPR.	BOB 07/26/23
TWO PLACE DECIMAL ±0.05		Q.A.	M HEALEY 07/26/23
INTERPRET GEOMETRIC TOLERANCING PER: ISO 1101		COMMENTS:	
MATERIAL		N/A	
FINISH		N/A	
DO NOT SCALE DRAWING			



TITLE:		
24MM BRUSHLESS DRIVE		
SIZE	DWG. NO.	REV
A	RR-0022	A
SCALE: 1:1	WEIGHT: 70 g	SHEET 1 OF 1

2

1