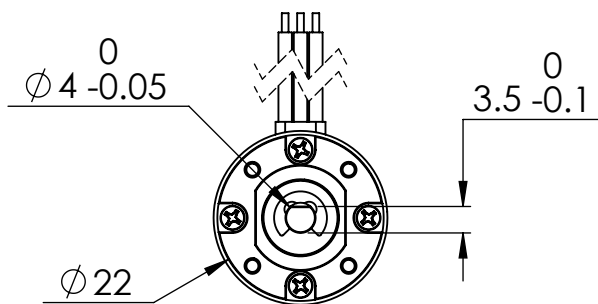
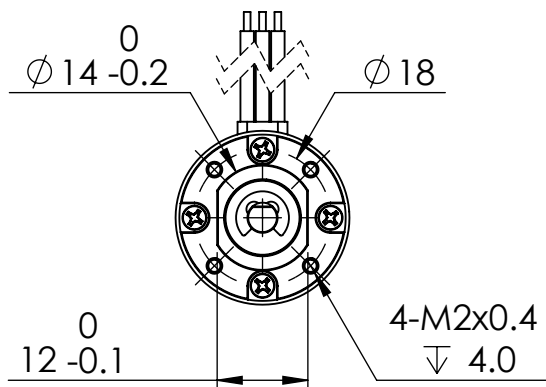
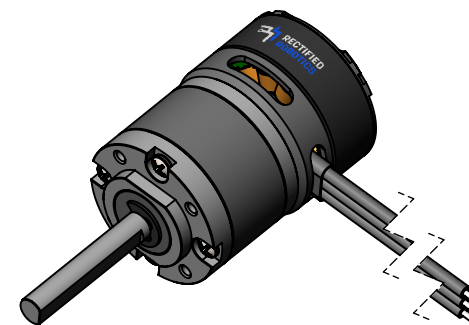
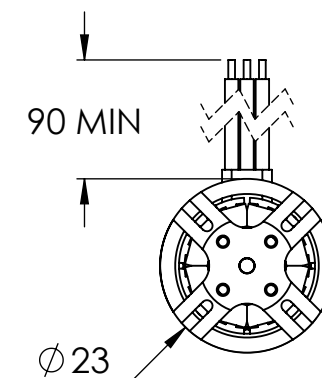
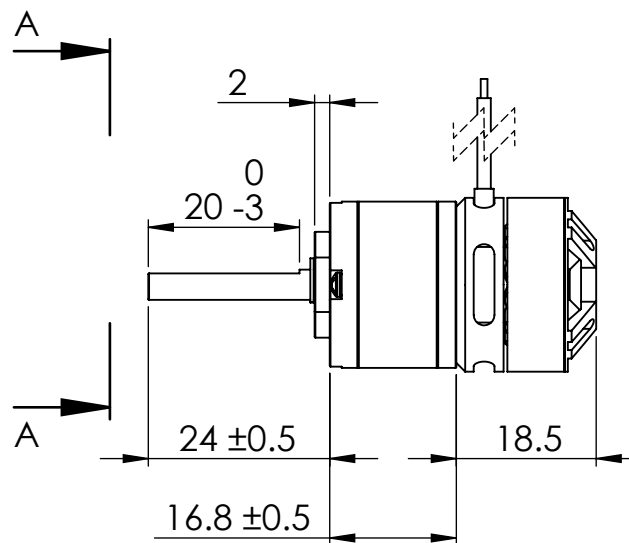


B



SECTION A-A



B

A

UNLESS OTHERWISE SPECIFIED:

DIMENSIONS ARE IN MM  
 TOLERANCES:  
 ZERO PLACE DECIMAL  $\pm 0.5$   
 ONE PLACE DECIMAL  $\pm 0.3$   
 TWO PLACE DECIMAL  $\pm 0.05$

INTERPRET GEOMETRIC  
 TOLERANCING PER: ISO 1101

MATERIAL

N/A

FINISH

N/A

DO NOT SCALE DRAWING

	NAME	DATE
DRAWN	C COLLINS	07/25/23
CHECKED	K EHLERS	07/25/23
ENG APPR.	N SORENSEN	07/26/23
MFG APPR.	BOB	07/26/23
Q.A.	M HEALEY	07/26/23

COMMENTS:



TITLE:

22MM BRUSHLESS DRIVE

SIZE	DWG. NO.	REV
<b>A</b>	<b>RR-0006</b>	<b>A</b>

SCALE: 1:1    WEIGHT: 62 g    SHEET 1 OF 1

2

1