



US0D1011492S

(12) **United States Design Patent**
Bailey et al.

(10) **Patent No.:** **US D1,011,492 S**

(45) **Date of Patent:** **** Jan. 16, 2024**

(54) **COLLAPSIBLE CHILD TOILET SEAT**

5,267,355 A * 12/1993 Landman A47K 13/02

(71) Applicants: **Ryan Bailey**, Coronado, CA (US); **Ji Hyun Chon**, Coronado, CA (US)

D888,911 S * 6/2020 Wu D23/311

D895,088 S * 9/2020 Fu D23/311

D944,951 S * 3/2022 Bailey D23/311

11,647,875 B2 * 5/2023 Bailey A47K 13/06

(72) Inventors: **Ryan Bailey**, Coronado, CA (US); **Ji Hyun Chon**, Coronado, CA (US)

2020/0178739 A1 * 6/2020 Evans A47K 13/005

2021/0145224 A1 * 5/2021 McConnell A47K 13/04

(**) Term: **15 Years**

* cited by examiner

(21) Appl. No.: **29/892,200**

Primary Examiner — Robert A Delehanty

(22) Filed: **May 15, 2023**

(74) *Attorney, Agent, or Firm* — Donn K. Harms

Related U.S. Application Data

(63) Continuation of application No. 17/327,371, filed on May 21, 2021, now Pat. No. 11,647,875.

(60) Provisional application No. 63/028,526, filed on May 21, 2020.

(51) **LOC (14) Cl.** **23-02**

(52) **U.S. Cl.**

USPC **D23/311**

CPC **A47K 13/06** (2013.01)

(58) **Field of Classification Search**

USPC D23/296, 299, 311

CPC A47K 13/06; A47K 13/005; A47K 13/00;

A47K 13/02; Y10S 4/06

See application file for complete search history.

(56) **References Cited**

U.S. PATENT DOCUMENTS

D305,793 S * 1/1990 Cronk D23/311

5,005,223 A * 4/1991 Greenwood A47K 13/06

4/245.3

(57) **CLAIM**

The ornamental design for a collapsible child toilet seat, as shown and described.

DESCRIPTION

FIG. 1 is a top perspective view of a collapsible child toilet seat showing our new design;

FIG. 2 is a top view thereof;

FIG. 3 is a bottom view thereof;

FIG. 4 is a right side view thereof;

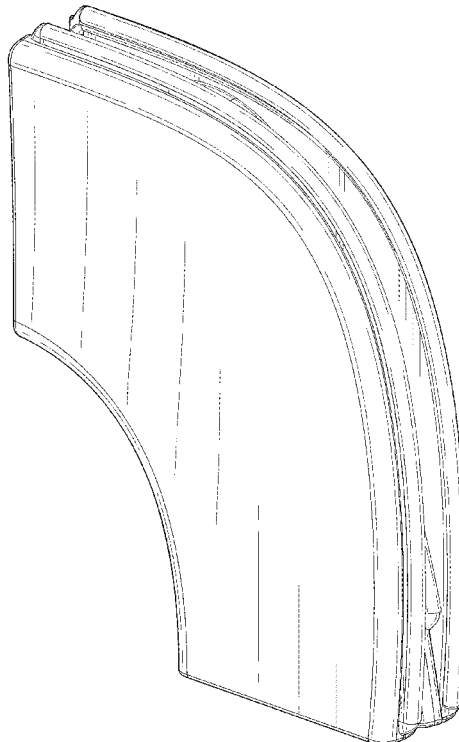
FIG. 5 is a front view thereof;

FIG. 6 is a left view thereof; and,

FIG. 7 is a rear side view thereof.

The broken lines illustrate portions of the collapsible child toilet seat that form no part of the claimed design.

1 Claim, 7 Drawing Sheets



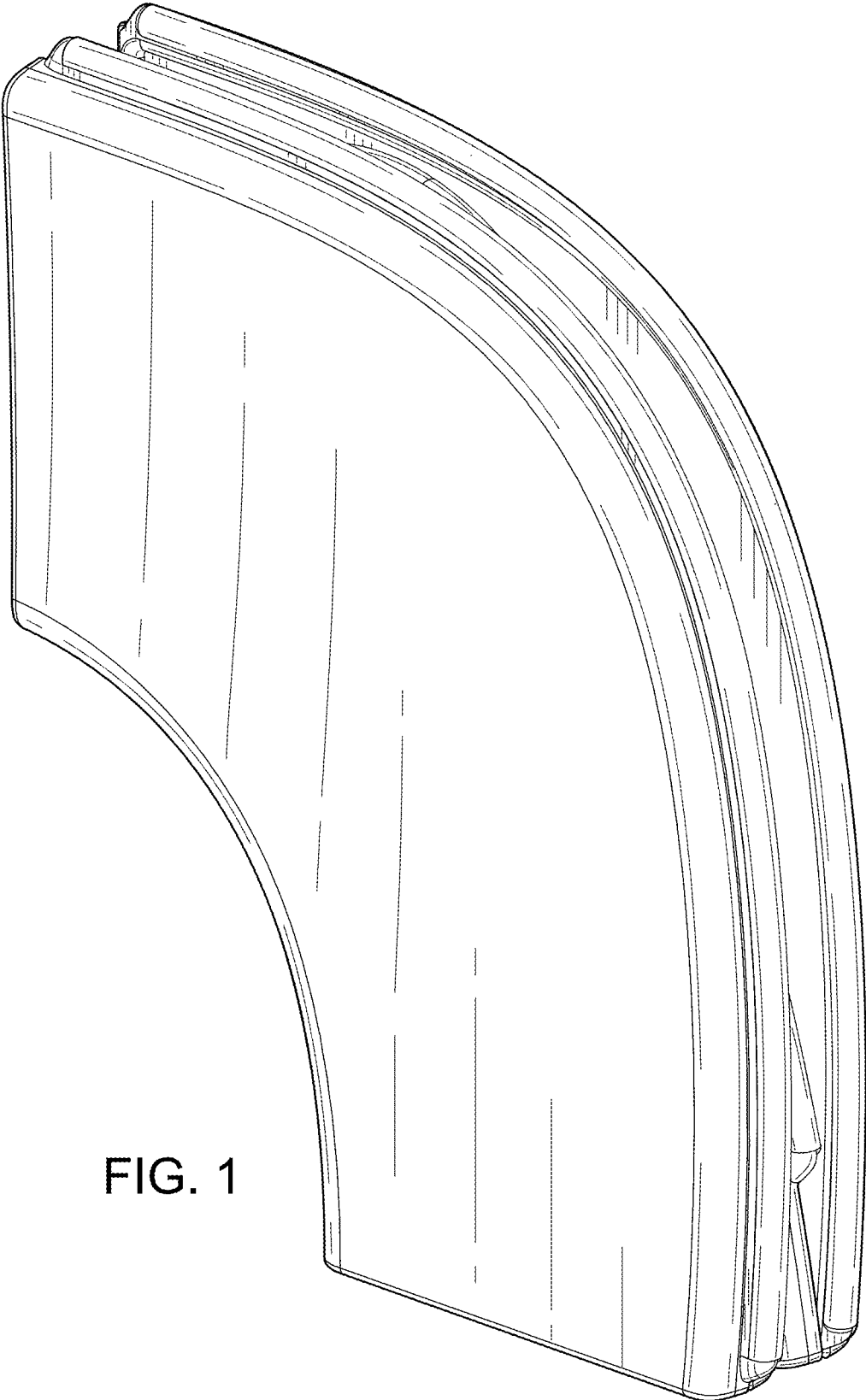


FIG. 1

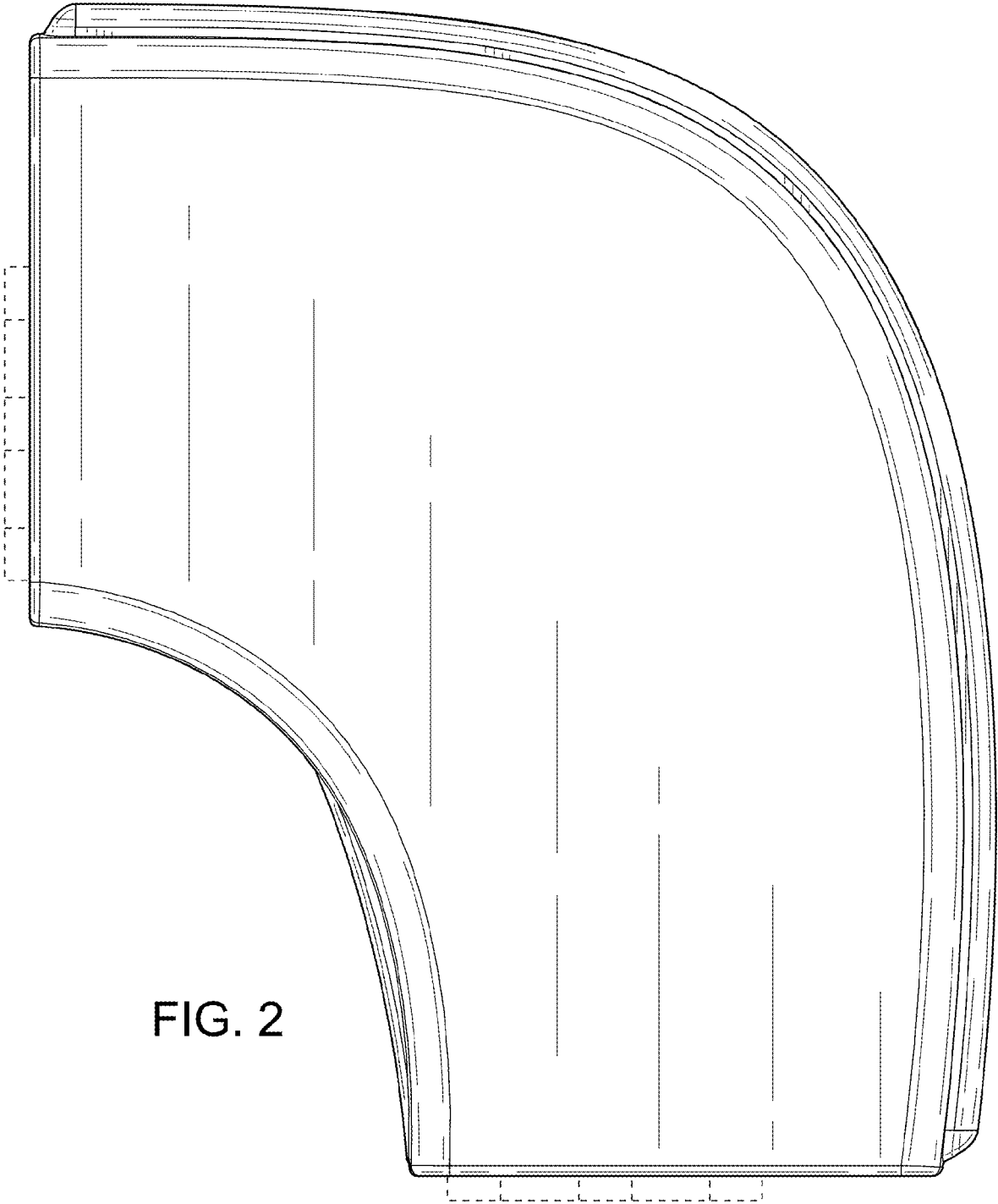


FIG. 2

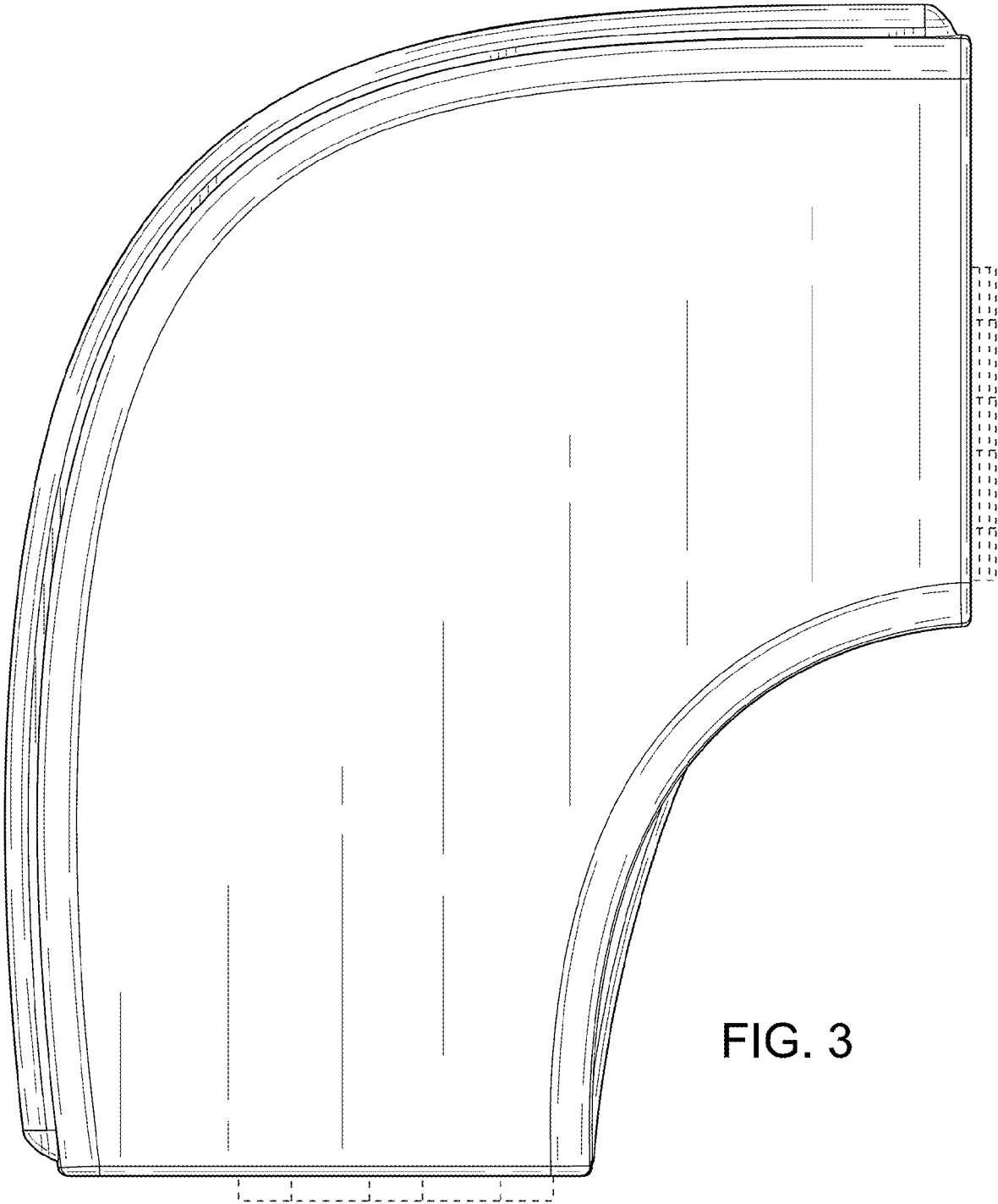


FIG. 3

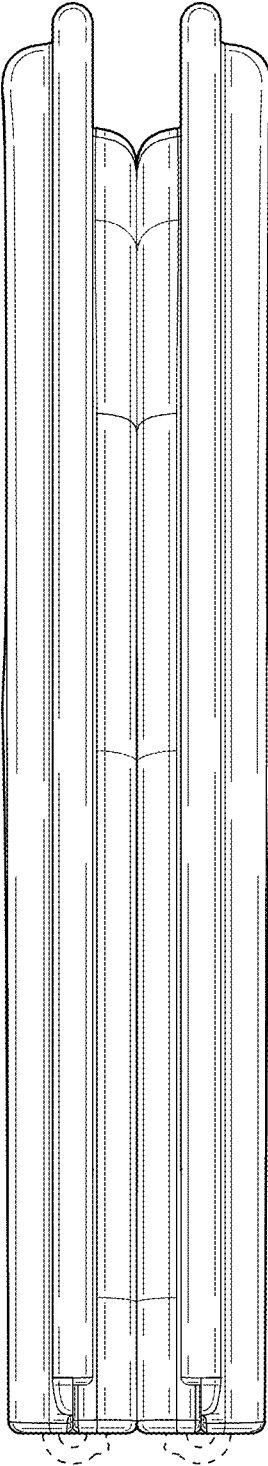


FIG. 4

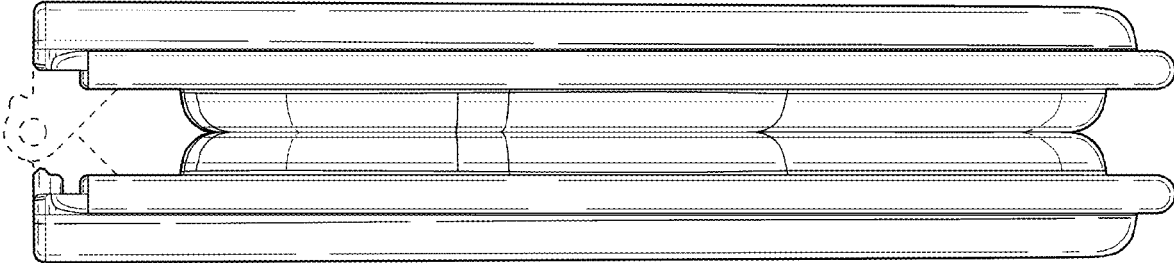


FIG. 5

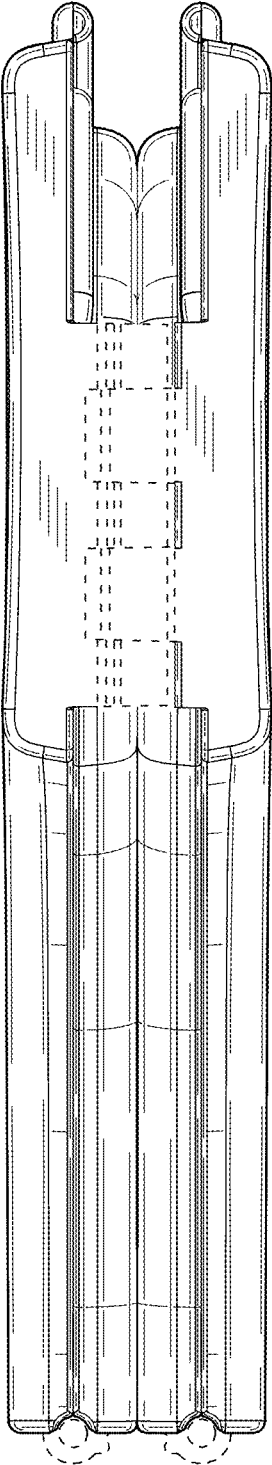


FIG. 6

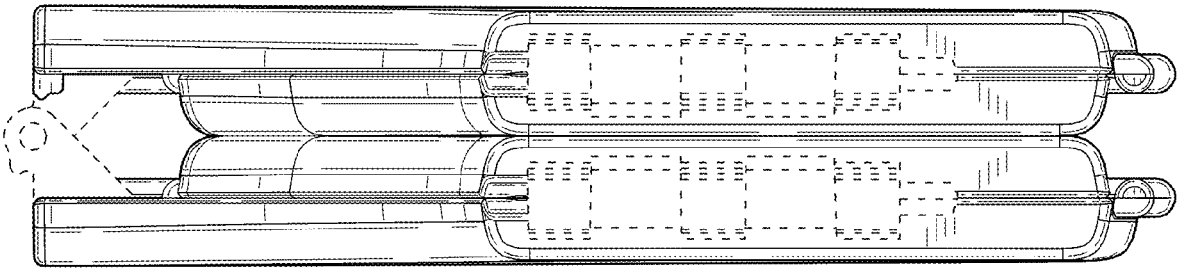


FIG. 7