

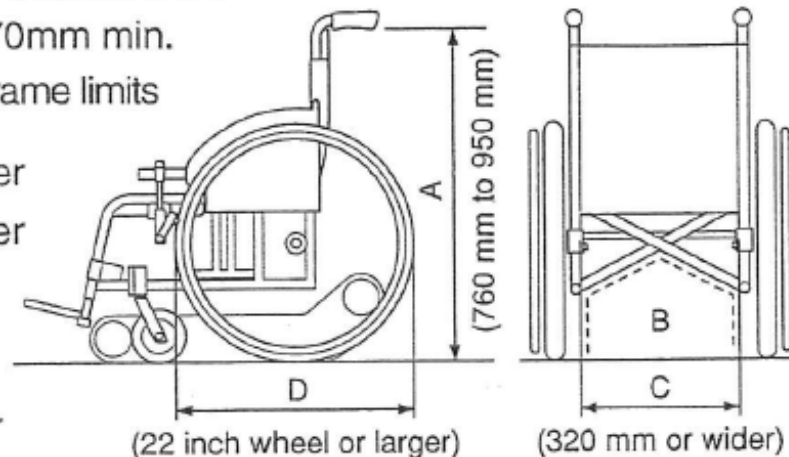


Stair-Trac SA-S Wheelchair requirements

A : Wheelchair height	760mm to 950mm from the floor
B : Space under the X-frame	Center height : 210mm min. End height : 170mm min. Crawler under-frame limits
C : Inside width between base tubes	320 mm or wider
D : Main Wheel diameter	22 inch or larger

The following Wheelchair types cannot be mounted

1. Reclining type Wheelchair
2. Foldable or detachable handle type Wheelchair
3. Detachable armrest type Wheelchair
4. Caliper brake installed Wheelchair
5. Any Wheelchair that has machine part trouble



- The dimensions shown above are standard values.
Some Wheelchairs may not fit.

