

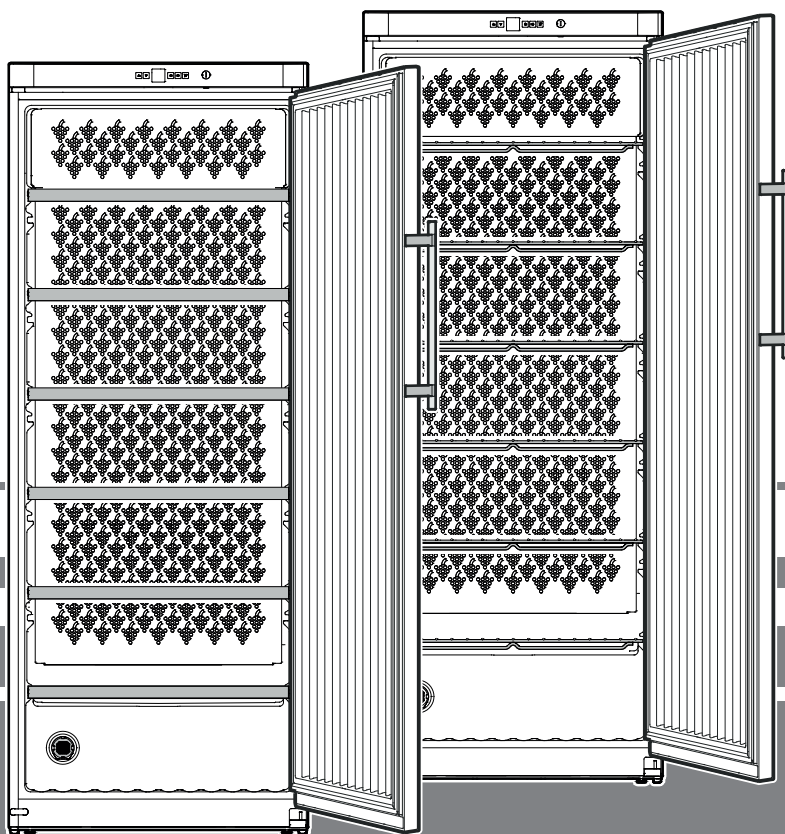
Operating instructions

Wine storage cabinet

Read the operating instructions before switching on for the first time

Page 10

EN



7081 203-03




WK/GWK

LIEBHERR

Content

| | |
|---|----|
| Priority of warnings..... | 10 |
| Safety instructions and warnings | 10 |
| Symbols on the appliance | 11 |
| Product data | 11 |
| Disposal notes..... | 11 |
| Range of appliance use..... | 12 |
| Description of the appliance..... | 12 |
| Climate rating | 12 |
| Dimensions | 12 |
| Electrical connection..... | 12 |
| Setting up | 13 |
| Operating and control elements | 13 |
| Switching the appliance on and off | 13 |
| Setting the temperature..... | 13 |
| Fan | 13 |
| Storing wine..... | 13 |
| Audible warning signal | 14 |
| Additional functions..... | 14 |
| Interior light..... | 14 |
| Air exchange with activated charcoal filter | 14 |
| Safety lock..... | 14 |
| Cleaning | 15 |
| Malfunctions..... | 15 |
| Shutting your appliance down | 15 |
| Changing over door hinges | 16 |

Priority of warnings




| | |
|---|---|
|  DANGER | identifies a situation involving direct danger which, if not obviated, may result in death or severe bodily injury. |
|  WARNING | identifies a dangerous situation which, if not obviated, may result in death or severe bodily injury. |
|  CAUTION | identifies a dangerous situation which, if not obviated, may result in minor or medium bodily injury. |
| NOTICE | identifies a dangerous situation which, if not obviated, may result in damage to property. |
| Note | identifies useful information and tips. |

Safety instructions and warnings

- **WARNING:** do not seal ventilation openings on the appliance housing or enclosure.
- **WARNING:** only use the mechanical devices or other aids recommended by the manufacturer to help speed up the defrosting process.
- **WARNING:** do not damage the refrigerant circuit.
- **WARNING:** do not use any electrical devices in the refrigerator compartment which do not comply with the design recommended by the manufacturer.
- **WARNING:** the mains cable must not be damaged while installing the appliance.
- **WARNING:** multi-sockets or distributor strips and other electronic devices (such as halogen transformers) must not be positioned and operated at the rear of appliances.
- **WARNING:** danger of injury through electric shock. There are live parts under the cover. Only have the interior LED light replaced or repaired by customer service staff or trained personnel.
- **WARNING:** risk of injury from the LED lamp. The light intensity of the LED light complies with laser class RG 2. If the cover is defective, do not look directly at the light through optical lenses from close distance. This may damage your eyes.
- **WARNING:** this appliance must be secured as described in the operating instructions (Installation instructions) to rule out any potential risks due to its instability.
- Do not stand on the plinth, drawers or doors or use them to support anything else.
- This appliance may be used by children aged 8 and over and by people with reduced physical, sensory or mental abilities or a lack of experience and expertise if they are supervised or have been instructed on the safe use of the appliance and have understood the risks associated with it. Children must not be allowed to play with the appliance. Cleaning and user maintenance must not be carried out by children without supervision. Children aged 3 or over and 8 or younger may load and unload the refrigerator/freezer.
- Do not store any explosive substances, such as aerosol containers with flammable propellant gas, inside the appliance.
- To prevent injury and damage to property, the appliance should only be installed by two people.

- After unpacking it, check the appliance for signs of damage. Contact the supplier if it is damaged. Do not connect the appliance to the mains power supply.
- Avoid prolonged skin contact with cold surfaces (e.g. chilled/frozen products). If necessary, take safety action (e.g. gloves).
- Do not consume food which has been stored for too long, as it could cause food poisoning.
- All repairs and work on the appliance may only be carried out by customer service personnel or other trained personnel. The same applies to changing the mains power cable.
- Only carry out repair and other work on the appliance when the mains plug has visibly been disconnected.
- Only install, connect and dispose of the appliance as described in these operating instructions.
- In the event of a fault, pull out the plug or switch off the fuse.
- When disconnecting the appliance from the mains, pull on the plug. Do not pull on the cable.
- If you have a lockable appliance, do not keep the key near the appliance or within reach of children.
- The appliance is designed for use in enclosed areas. Do not operate the appliance outdoors or in areas where it is exposed to splash water or damp conditions.
- Do not use the interior LED light to light the room. The interior LED light is only designed to illuminate the interior of the appliance.
- Do not allow naked flames or ignition sources to enter the appliance.
- Alcoholic drinks or other vessels containing alcohol should be sealed tightly for storage.

Symbols on the appliance

| | |
|---|---|
|  | The symbol can be located on the compressor. It refers to the oil in the compressor and indicates the following danger: swallowing or inhaling can be fatal. This is only relevant for recycling. There is no danger in normal operation. |
|  | Warning about inflammable substances. |
|  | A sticker to this effect may be applied to the rear of the appliance. It refers to the foampadded panels in the door and/or the housing. This is only relevant for recycling. Do not remove the sticker. |

Product data

Product data is included with the appliance, as per Directive (EU) 2017/1369. The complete product data sheet is available on the Liebherr website under Downloads.

Disposal notes

The appliance contains some reusable materials and should be disposed of properly - not simply with unsorted household refuse. Appliances which are no longer needed must be disposed of in a professional and appropriate way, in accordance with the current local regulations and laws.



When disposing of the appliance, ensure that the refrigeration circuit is not damaged to prevent uncontrolled escape of the refrigerant it contains (data on type plate) and oil.

- Disable the appliance.
- Pull out the plug.
- Cut through the connecting cable.



WARNING

Danger of suffocation due to packing material and plastic film! Do not allow children to play with packing material. Take the packing material to an official collecting point.

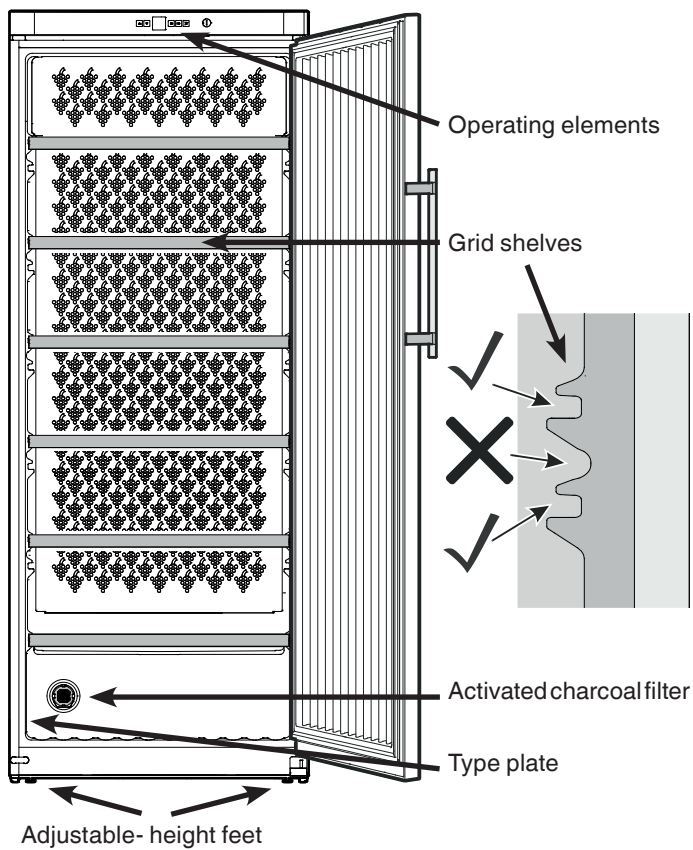
Range of appliance use

The appliance is suitable solely for storing wine in a domestic environment or similar. This includes use in, for example

- in staff kitchenettes, bed and breakfast establishments,
- by guests in country homes, hotels, motels and other forms of accommodation,
- in catering and similar services in the wholesale trade.

Use the appliance solely as is customary within a domestic environment. All other types of use are inadmissible. The appliance is not suitable for storing and cooling medicines, blood plasma, laboratory preparations or similar substances and products covered by the 2007/47/EC Medical Devices Directive. Misuse of the appliance can result in the stored products suffering harm or perishing. Furthermore, the appliance is not suitable for operation in potentially explosive atmospheres.

Description of the appliance

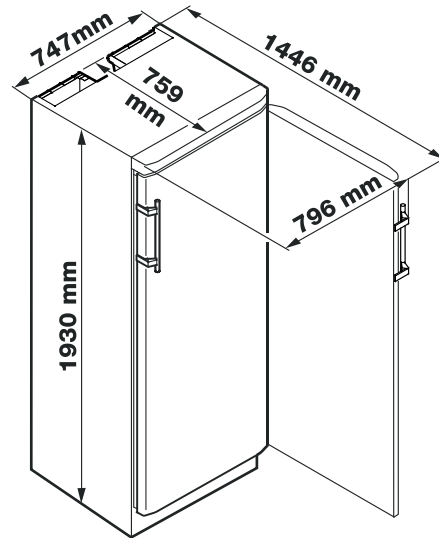


Climate rating

The appliance is set to operate within specific ambient temperature limits according to its climate rating. These temperature limits should not be exceeded. The correct climate rating for your appliance is indicated on the type plate.

| Climate rating | Ambient temperature |
|----------------|---------------------|
| SN | +10°C to +32°C |
| N | +16°C to +32°C |
| ST | +16°C to +38°C |
| T | +16°C to +43°C |

Dimensions



Electrical connection

Only operate the appliance with **alternating current (AC)**.

The permissible voltage and frequency are indicated on the type plate. The position of the type plate is shown in the description of the appliance.

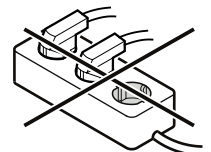
The socket must be properly earthed and protected by a fuse.

The tripping current of the fuse must be between 10 A and 16 A.

The socket must not be situated behind the appliance and must be easily accessible.

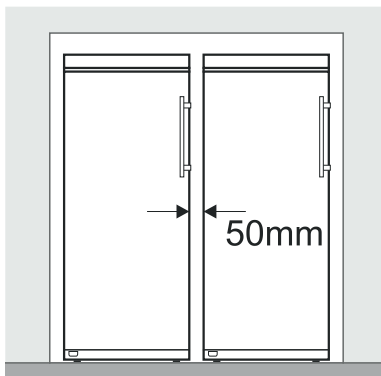
Do not connect the appliance using an extension cable or extension socket.

Do not use stand-alone inverters (conversion of d.c. to a.c./three-phase) or energy saving plugs. Risk of damage to the electronic control system!

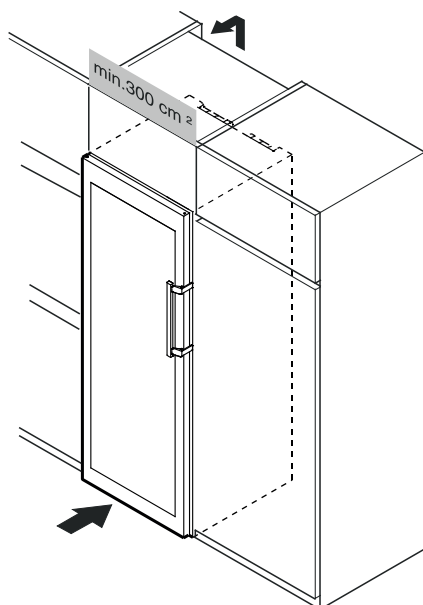


Setting up

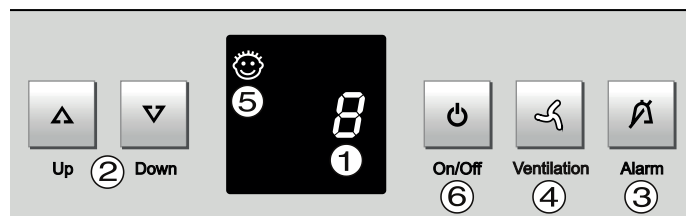
- Avoid positioning the appliance in direct sunlight or near cookers, radiators and similar sources of heat.
 - The floor on which the appliance stands should be horizontal and level. Compensate for uneven floors with the adjustable feet.
 - Always ensure that there is good ventilation and that the outward flowing air is able to escape.
 - Standard EN 378 specifies that the room in which you install your appliance must have a volume of 1 m³ per 8 g of R 600a refrigerant used in the appliance, so as to avoid the formation of inflammable gas/air mixtures in the room where the appliance is located in the event of a leak in the refrigerant circuit. The quantity of refrigerant used in your appliance is indicated on the type plate on the inside of the appliance.
 - Always install the appliance directly against the wall.
- If several appliances are installed next to each other, leave a gap of 50 mm between them.
If this gap is too narrow, condensation forms between the side walls.



- To adapt the height of the appliance to the surrounding furniture a top unit can be added.
- A gap of at least 50 mm depth must be provided behind and along the entire width of this unit so as to ensure sufficient ventilation. The area of ventilation underneath the ceiling should be at least 300 cm².



Operating and control elements



- ① Temperature display
- ② Temperature setting buttons
- ③ Audible warning on/off button
- ④ Fan button
- ⑤ Child lock activated symbol
- ⑥ On/off button

Switching the appliance on and off

To switch the appliance on

Press the **On/Off** button until the temperature display lights up.

To switch the appliance off

Keep the **On/Off** button pressed for approx. 3 seconds so that the temperature display goes out.

Setting the temperature

To increase the temperature

Press the **Up** button.

To reduce the temperature

Press the **Down** button.

- When pressing one of the buttons for the first time, the display will start to flash.
- Pressing this button again enables you to change the temperature setting.
- The electronic controls will switch over automatically about 5 seconds after the last time you pressed the button, and the actual temperature will be displayed.

If **F1** appears in the display, the appliance has suffered a fault. In this case, contact the customer service department.

Fan

The interior fan ensures a constant and even interior temperature and a suitable climate for wine storage.

When activating the **Ventilation** button, the humidity in the appliance is further increased, which has a particularly positive effect for long-term storage.



Ventilation

The increased level of humidity prevents the corks from drying out.

Storing wine

If you are storing wine for long periods of time, it should be stored at a temperature of between 10°C and 14°C.

This is the temperature wine cellars are kept at, and it is just right to allow wine to mature properly.

The following drinking temperatures are recommended for the various types of wine.

- Red wines: **+14°C to +18°C**
- Rosé wines: **+10°C to +12°C**
- White wines: **+8°C to +12°C**
- Sparkling wines, Prosecco **+7°C to +9°C**
- Champagne **+5°C to +7°C**

Audible warning signal

The audible warning signal helps to protect your wines against excessive temperatures.

It sounds when the door has been left open for longer than 60 seconds.

It sounds when the interior gets too warm or too cold. The temperature display will also flash.

The audible warning device is switched off by pressing the **Alarm** button.



Alarm

The temperature display will continue to flash until the cause of the alarm has been rectified.

Additional functions

In set-up mode you can set the child-proof lock and adjust the brightness of the display. The child-proof lock is designed to protect the appliance from being switched off accidentally.

Activating set-up mode:

- Press **Ventilation** button for approx. 5 secs.
- The display shows **c** for child-proof lock.

Note: The value to be altered flashes.

- Select the required function by pressing the **Up/Down** button:

c = child-proof lock, **h** = brightness of the display

- Now select/acknowledge the function by pressing the **Ventilation** button briefly:

> For **c = child-proof lock**, press the **Up/Down** button to select

c1 = child-proof lock **on** or

c0 = child-proof lock **off** and acknowledge with the **Ventilation** button.

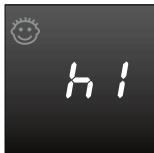
When the symbol ☺ is lit, the child-proof lock is activated.



> For **h = brightness**, press the **Up/Down** button to select

h1 = minimum to

h5 = maximum brightness and acknowledge with the **Ventilation** button.



Exiting set-up mode:

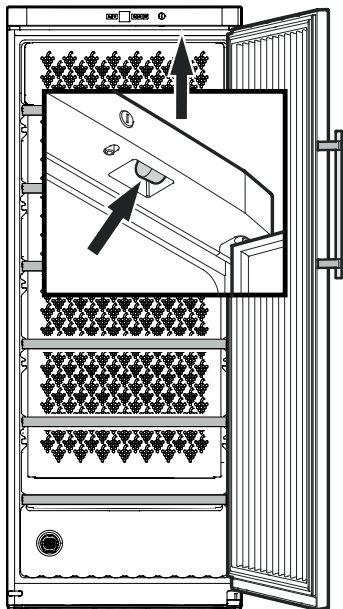
Exit the set-up mode by pressing the On/Off button; after 2 min. the electronic system switches over automatically. The normal operating mode is activated again.

Interior light

Bulb data: 15 W (never use a bulb rated at more than 15 W). The voltage should agree with the details on the type plate. Socket: E 14.

Replacing the bulb:

Pull out the mains plug or remove/unscrew the fuse.



Air exchange with activated charcoal filter

The way in which wines continue to mature depends on the ambient conditions. The quality of the air is therefore decisive for preserving the wine.

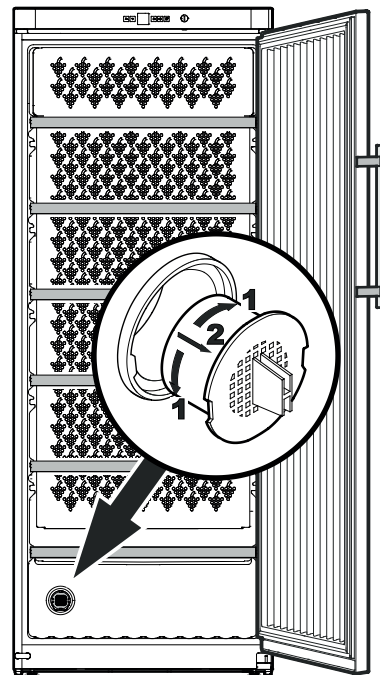
We recommend that you replace the filter once a year. Filters can be obtained from your dealer.

Changing the filter:

Take the filter by the handle. Turn it 90° to the left or right and remove.

Inserting the filter:

Insert with the handle in a vertical position. Turn it 90° to the left or right until it clicks into place.

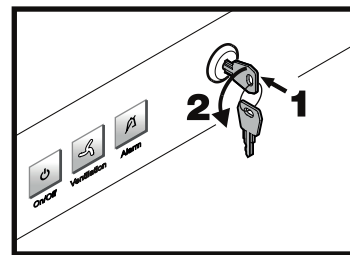


Safety lock

Locking the appliance:

- Insert the key as shown by arrow 1.
- Turn the key 90°.

To unlock the appliance, the same procedure must be repeated in the same order.



Cleaning

A failure to follow these instructions may result in the food being spoilt.

Before cleaning, always disconnect the appliance from the mains. Pull out the plug or switch off the fuse.

Surfaces which may come into contact with food and accessible drain systems must be cleaned at regular intervals.

If the door is left open for a lengthy period, the temperature in the appliance's compartments may rise dramatically.

- Clean the inside, equipment parts and outer walls with lukewarm water and a little detergent. Do not use chemical solvents or any cleaning agents containing sand or acid.
- Use a glass cleaner to clean the glass surfaces and a commercially available stainless-steel cleaning agent for the stainless-steel surfaces.

CAUTION

Risk of damage to the appliance components and risk of injury due to hot steam.

Do not use steam cleaning equipment to clean the appliance.

- Ensure that no cleaning water penetrates into the electrical components or ventilation grille.
- The dust should be removed from the refrigeration unit and heat exchanger - metal grid at the back of the appliance - once a year.
- Dry all parts well with a cloth.
- Do not damage or remove the type plate on the inside of the appliance. It is very important for servicing purposes.

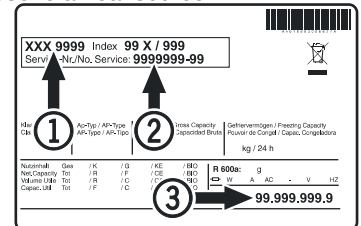
If the appliance is left empty for a lengthy period, it must be switched off, defrosted, cleaned and dried and the door is to be left open to prevent mould formation.

Malfunctions

You may be able to rectify the following faults by checking the possible causes yourself:

- Appliance does not function:
 - Is the appliance switched on?
 - Is the plug correctly fitted in the mains socket?
 - Is the fuse intact?
- Loud running noise:
 - Is the appliance set up firmly on the floor?
 - Does the appliance cause nearby items of furniture or objects to vibrate? Please note that noises caused by the refrigerant circuit cannot be avoided.
- The temperature is not low enough:
 - Is the temperature setting correct (see "Setting the temperature")?
 - Does the separately installed thermometer show the correct reading?
 - Is the ventilation system working properly?
 - Is the appliance set up too close to a heat source?

If none of the above causes apply and you cannot rectify the fault yourself, contact the nearest customer service department stating the type designation ❶, service number ❷ and appliance number ❸ as indicated on the type plate.



The position of the type plate is shown in the section entitled **Description of the appliance**.

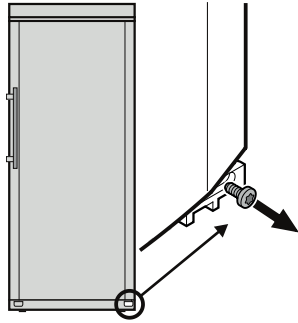
Shutting your appliance down

If your appliance is to be shut down for any length of time, switch it off and disconnect the plug or switch off or unscrew the fuse. Clean the appliance and leave the door open in order to prevent unpleasant smells.

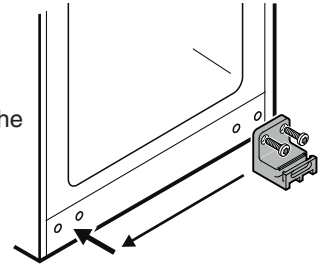
The appliance complies with the relevant safety regulations and EU Directives 2014/35/EU, 2014/30/EU, 2009/125/EG and 2011/65/EU.

Changing over door hinges

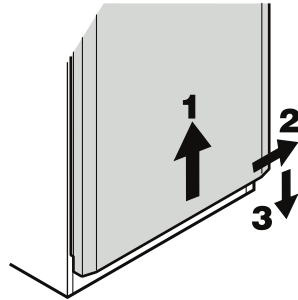
- 1.**
Remove screw from lower hinge bracket.



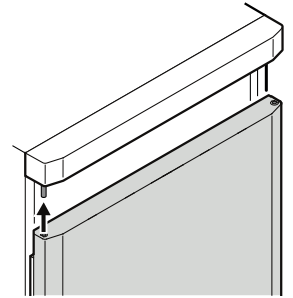
- 6.**
Transfer lower hinge bracket to the opposite side.



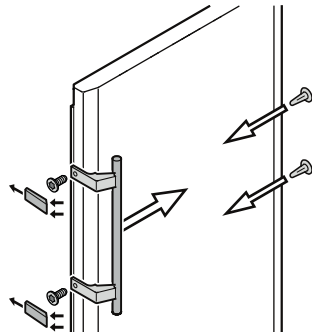
- 2.**
Lift door 1, tilt to the right 2 and remove 3.



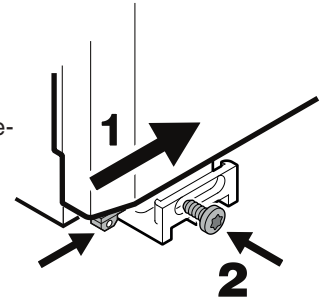
- 7.**
Locate door on upper pin.



- 3.**
Transfer handle to the opposite side.

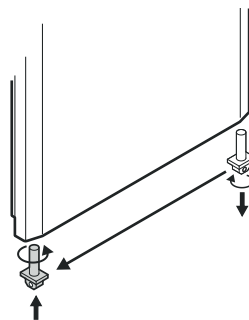


- 8.**
Tilt door inwards from the left 1. Secure hinge pin with screw 2.

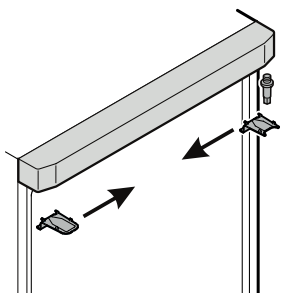


- 4.**
Turn lower hinge pin through 90° and remove.

Insert pin on the opposite side and turn through 90°.



- 5.**
Transfer upper hinge components to the opposite side.





Liebherr Hausgeräte Lienz GmbH

Dr.-Hans-Liebherr-Strasse 1

A-9900 Lienz

Österreich

www.liebherr.com

