

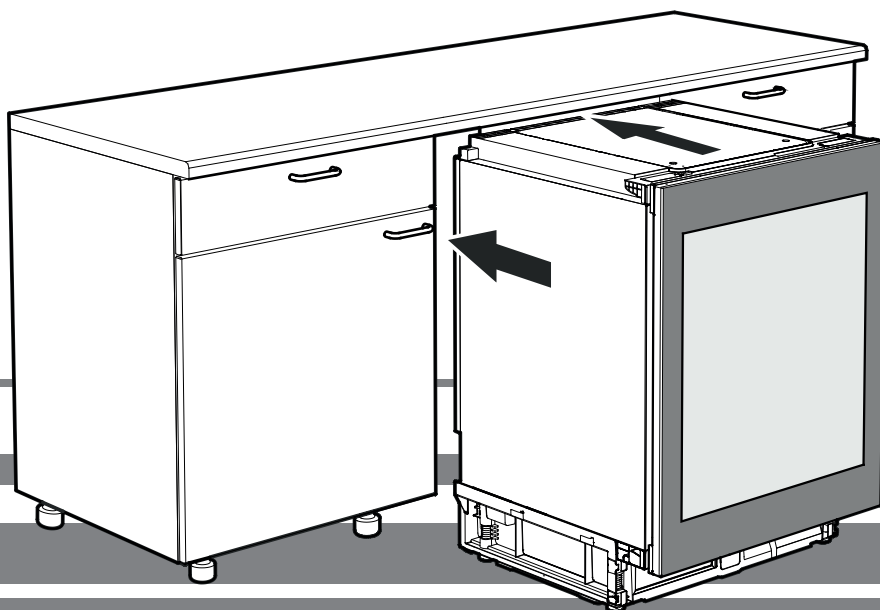
Übersetzung

Installation instructions

Multi-temperature wine cabinet

Page 10

EN

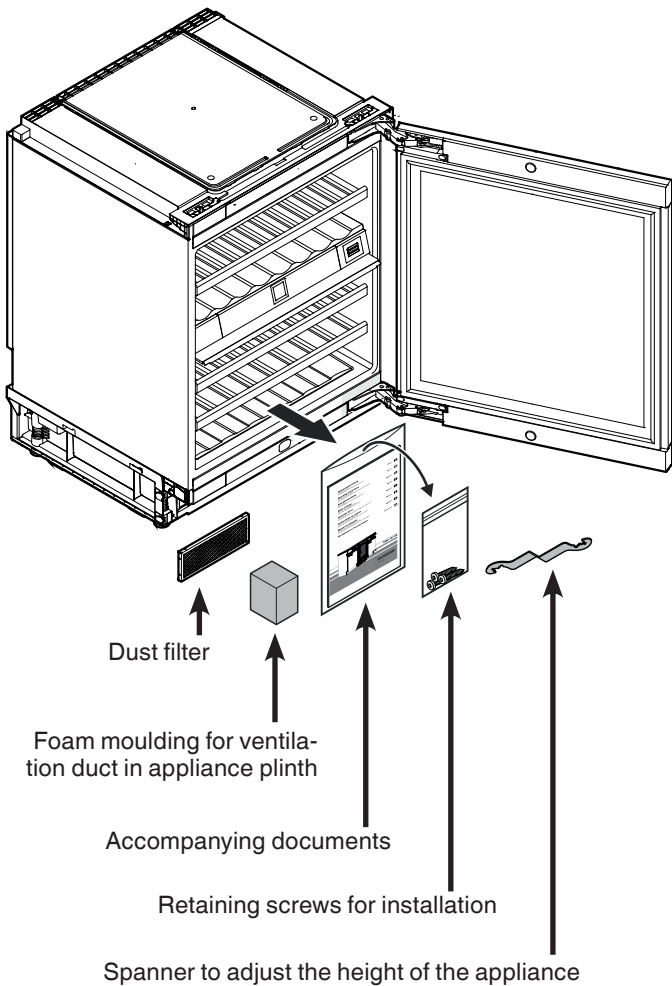
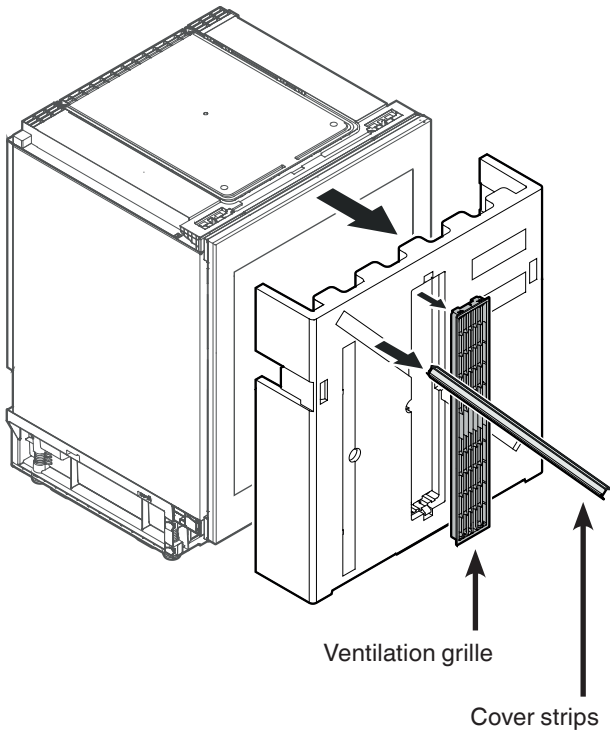


7080 198-00

UWT 1682

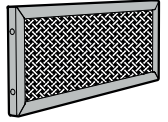
LIEBHERR

Supplied accessories



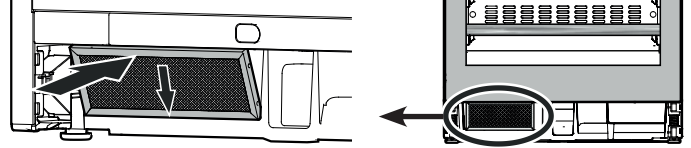
Mounting the dust filter

The supplied dust filter prevents that dirt enters the motor compartment, reducing the refrigeration performance. Therefore always install the dust filter.



Remove the protective film from the dust filter.

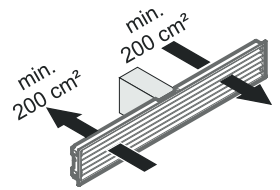
Insert the filter **at the bottom** and click into place **at the top**.



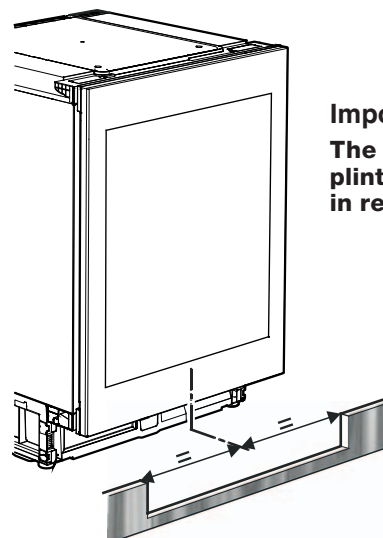
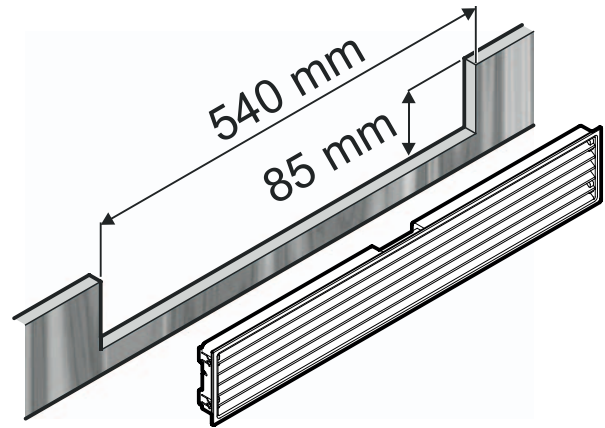
Appliance venting

The required airflow is directed through the plinth.

It is important to use the provided ventilation grille for the ventilation opening.



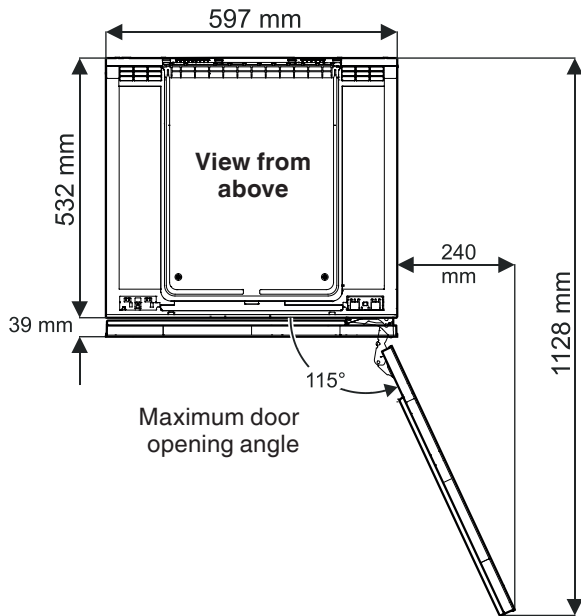
Cut-out section in the plinth panel



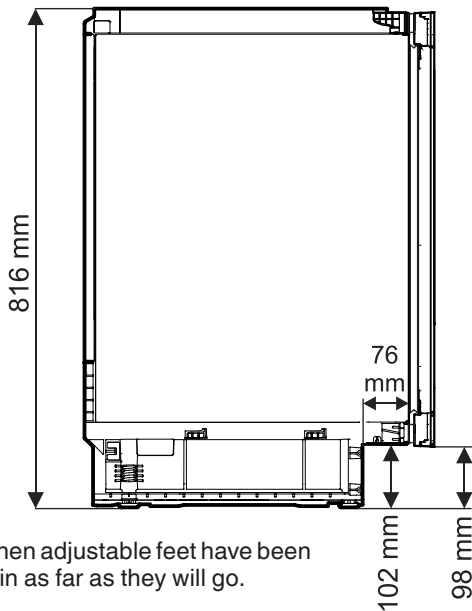
Important

The cut-out section in the plinth panel must be centred in relation to the appliance.

Appliance dimensions



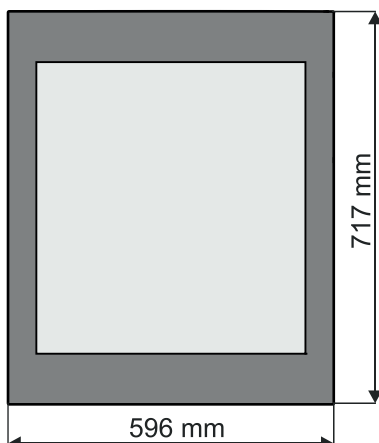
Side view



Height when adjustable feet have been screwed in as far as they will go.

Maximum height adjustment = 50 mm

Dimensions of appliance door



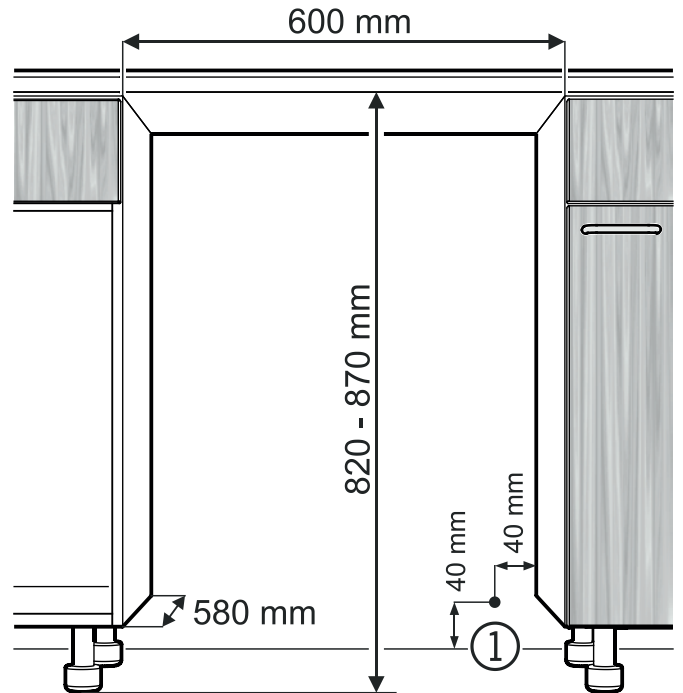
Installation dimensions

Important

In order to avoid any problems when installing the appliance and to avoid damage to the appliance, the following conditions must be complied with.

The floor on which the appliance stands must be horizontal and level.

The kitchen unit must be aligned horizontally and vertically.



① In this area, the power cord comes out of the appliance rear.

Free length of the power cord = **2000 mm**

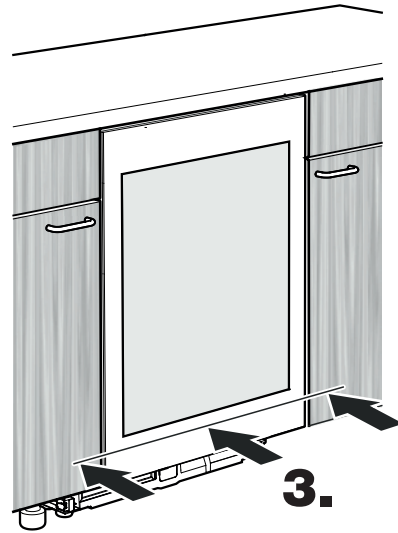
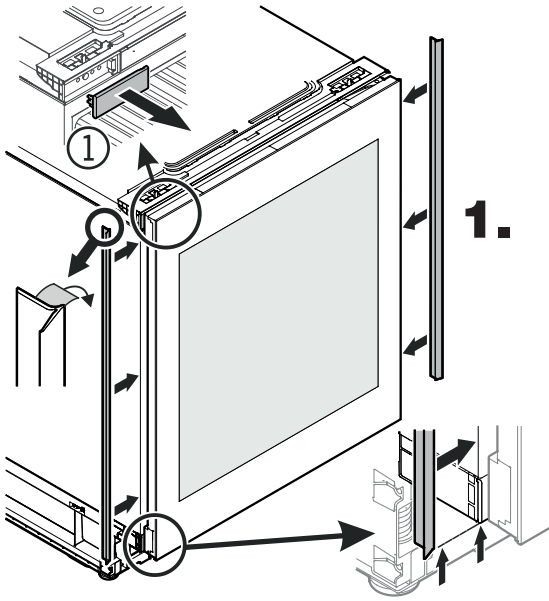
Choose the position of the socket considering these specifications.

The socket must not be situated behind the appliance and must be easily accessible.

Installing the appliance

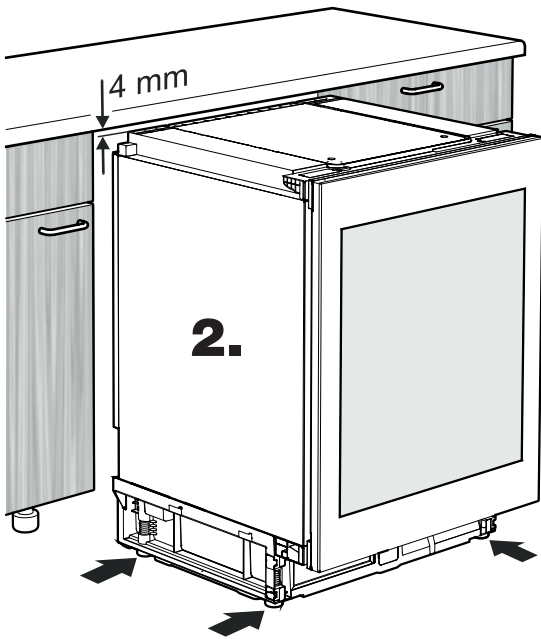
- 1.**
Remove cover ①.

Apply the cover strips to the leading edge of the appliance housing on the left and right.

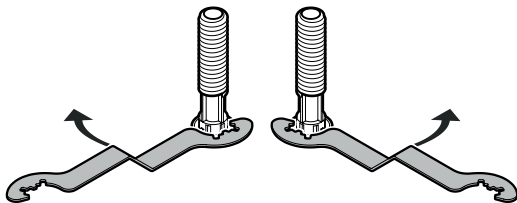


- 3.**
Slide in the appliance until the front surface of the appliance door is flush with the unit fronts.

When sliding in the appliance, make sure that the mains cable is not damaged!



- 2.**
Adjust the height of the appliance to 4 mm less than the recess height by turning the adjustable feet clockwise.

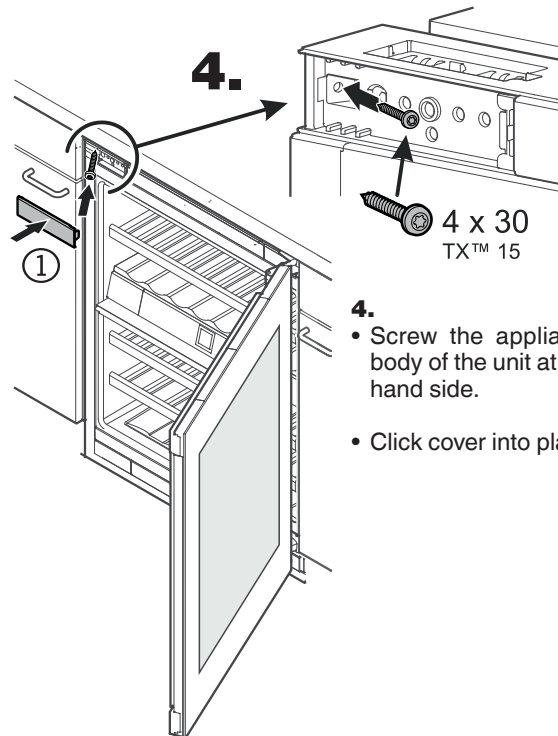


Turn the spanner anticlockwise to raise the appliance front and clockwise to lower it.

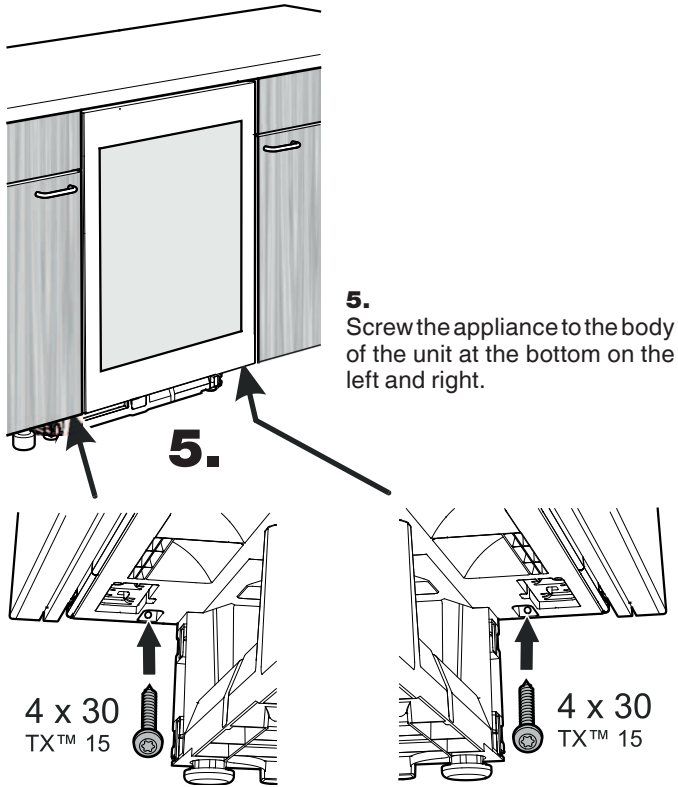
Position the spanner accordingly

Important

The appliance must be aligned horizontally and vertically. If the appliance is not level, the main body of the appliance can be deformed and the door will not close properly.



- 4.**
- Screw the appliance to the body of the unit at the top left-hand side.
 - Click cover into place again.

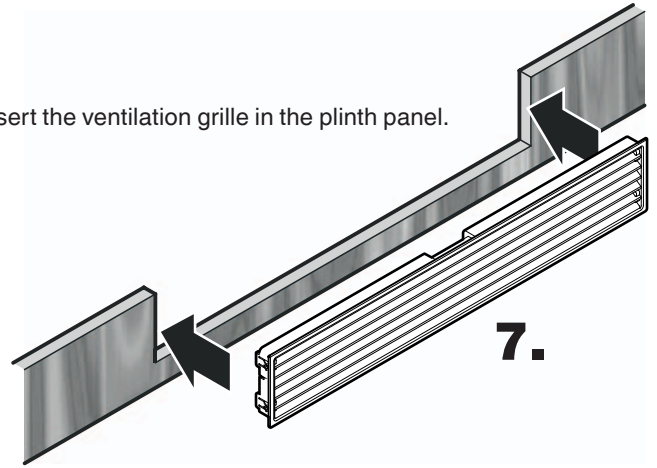


5. Screw the appliance to the body of the unit at the bottom on the left and right.

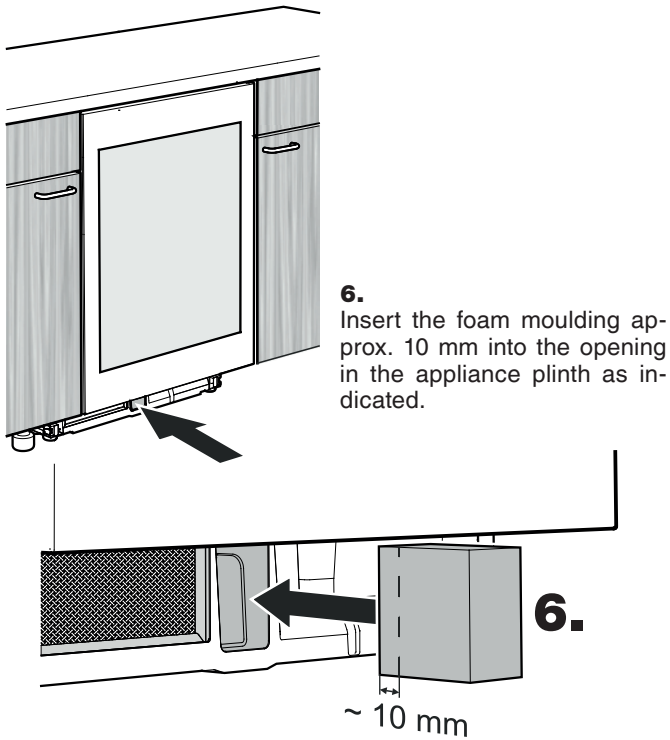
4 x 30
TX™ 15

4 x 30
TX™ 15

7. Insert the ventilation grille in the plinth panel.



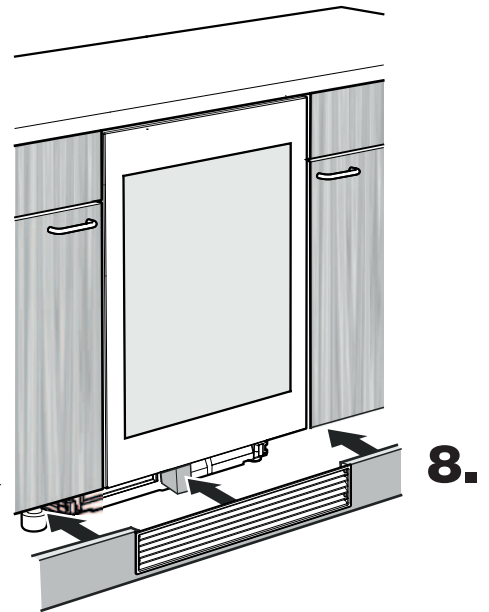
7.



6. Insert the foam moulding approx. 10 mm into the opening in the appliance plinth as indicated.

6.

~ 10 mm



8.

8. Fit the plinth panel. In doing so, the foam moulding is pushed backwards into its final position.

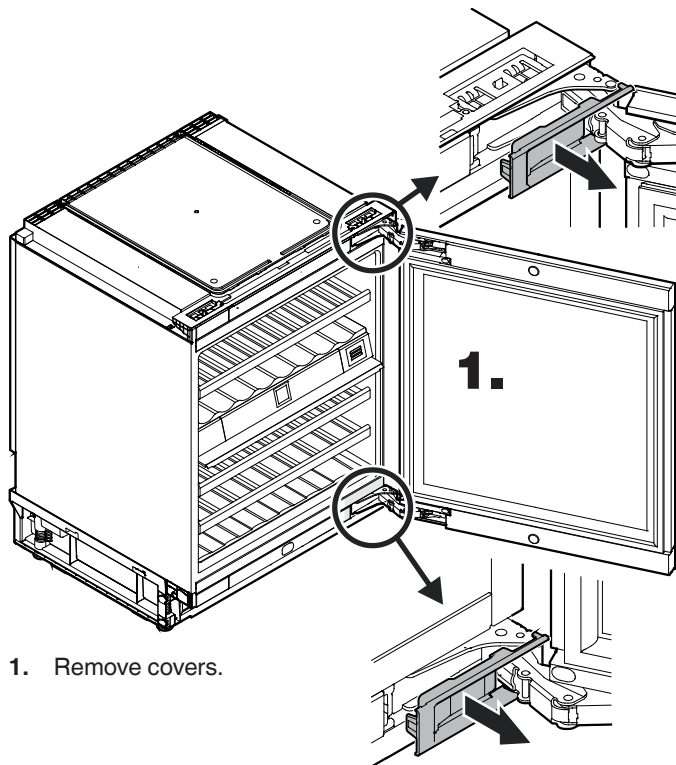
Important
The foam moulding must be touching the ventilation grille.

Important
If the foam moulding is not installed, the appliance will not achieve its full refrigeration performance during operation.

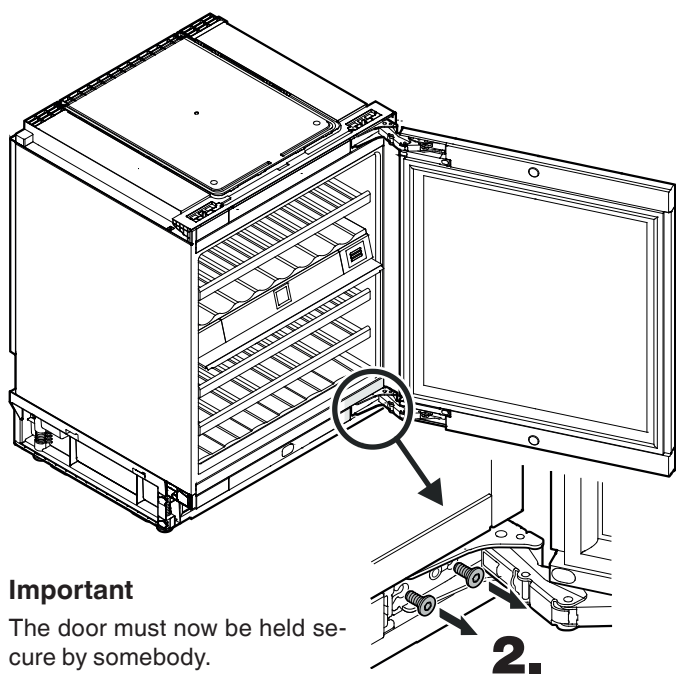
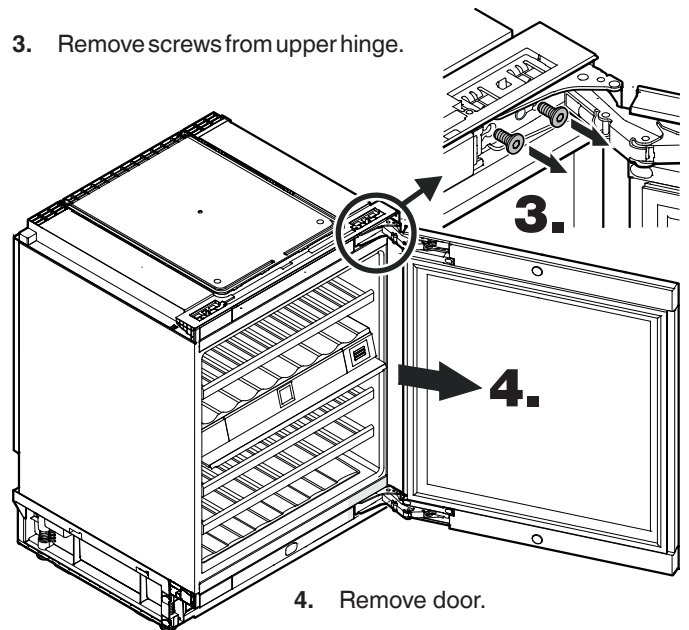
Changing over door hinges

Door hinges should only be changed by a trained expert.

Changing the door hinges must be done by two people.



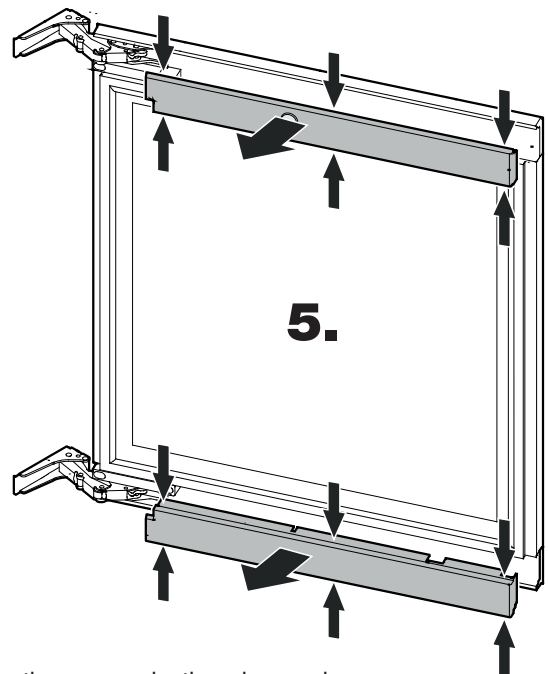
3. Remove screws from upper hinge.



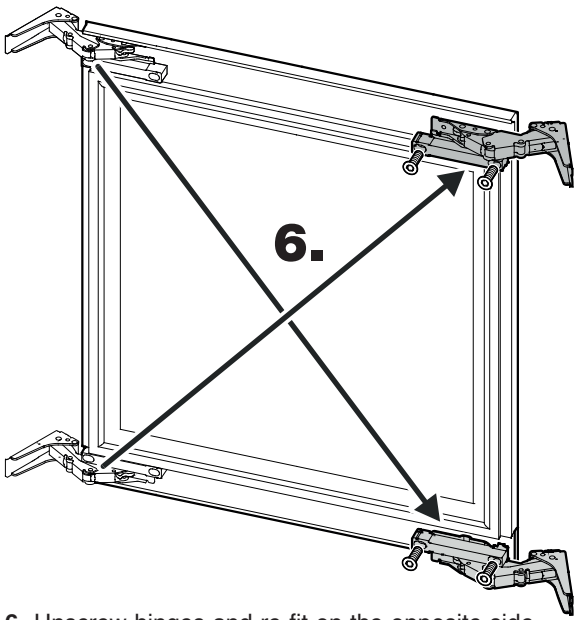
Important

The door must now be held secure by somebody.

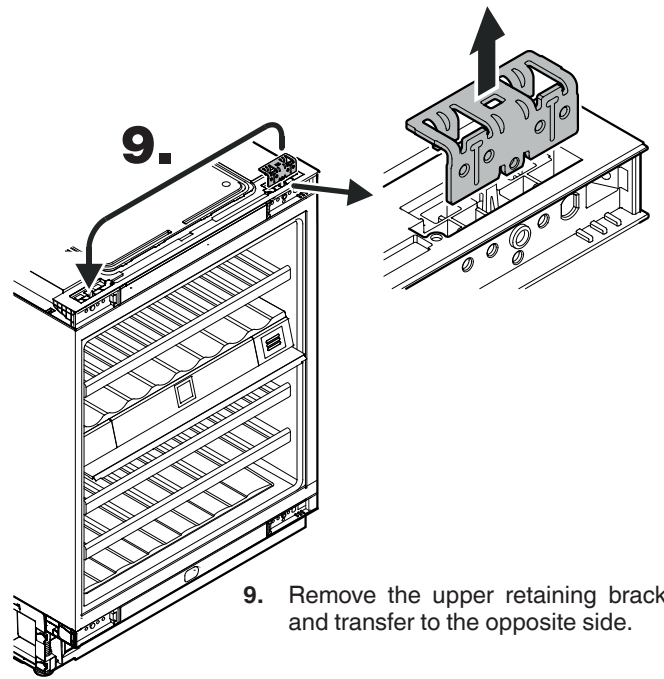
2. Remove screws from lower hinge.



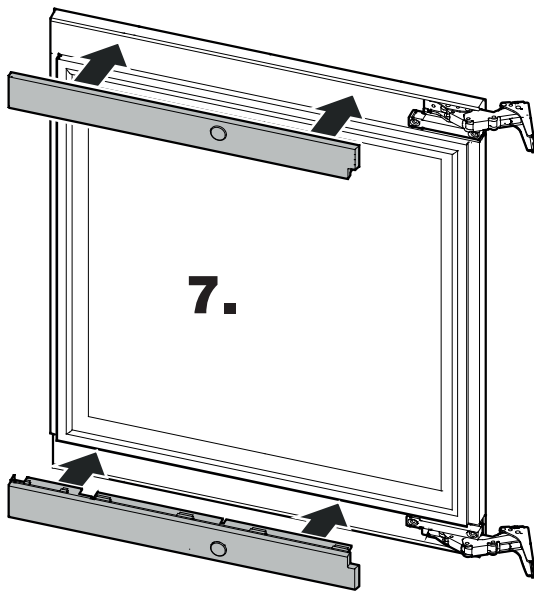
5. Compress the covers in the places shown, release and remove.



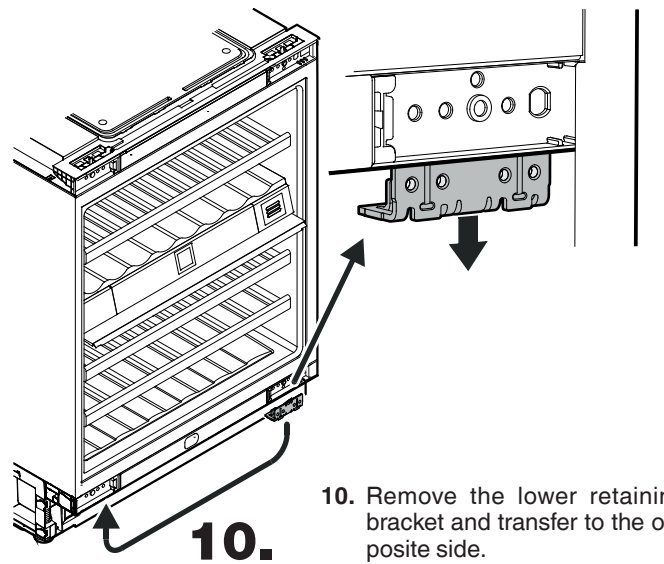
6. Unscrew hinges and re-fit on the opposite side at diagonals to the original position.



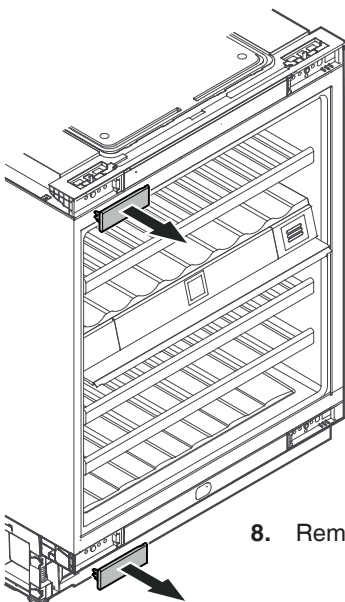
9. Remove the upper retaining bracket and transfer to the opposite side.



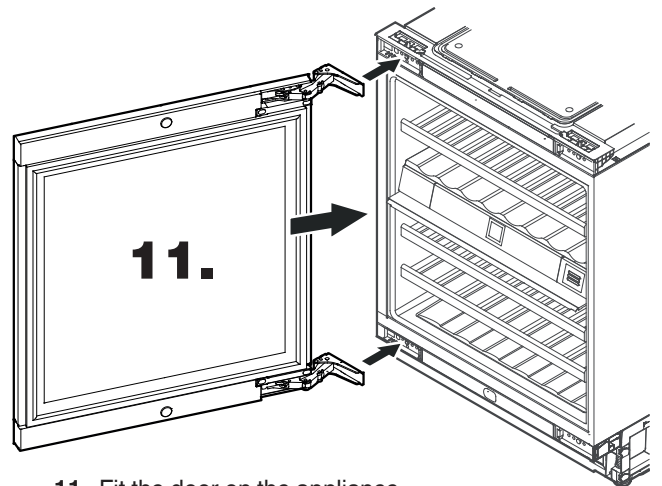
7. Fit covers and click into place.



10. Remove the lower retaining bracket and transfer to the opposite side.



8. Remove the covers.



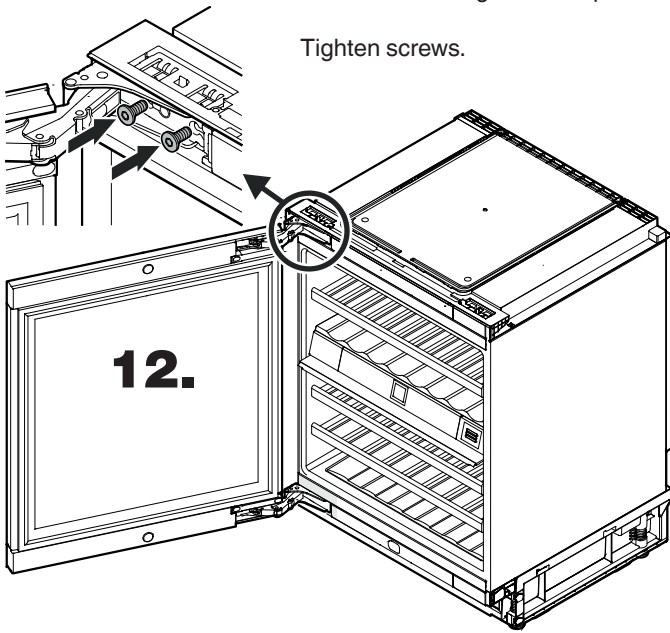
11. Fit the door on the appliance.

Important

The door must now be held secure by somebody.

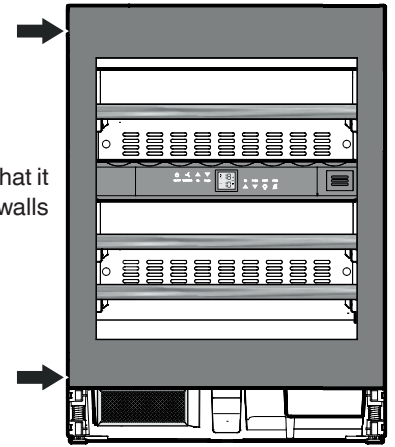
12. Screw on the hinge at the top left.

Tighten screws.



15. →

15. Close door and check that it is aligned with the side walls of the appliance.



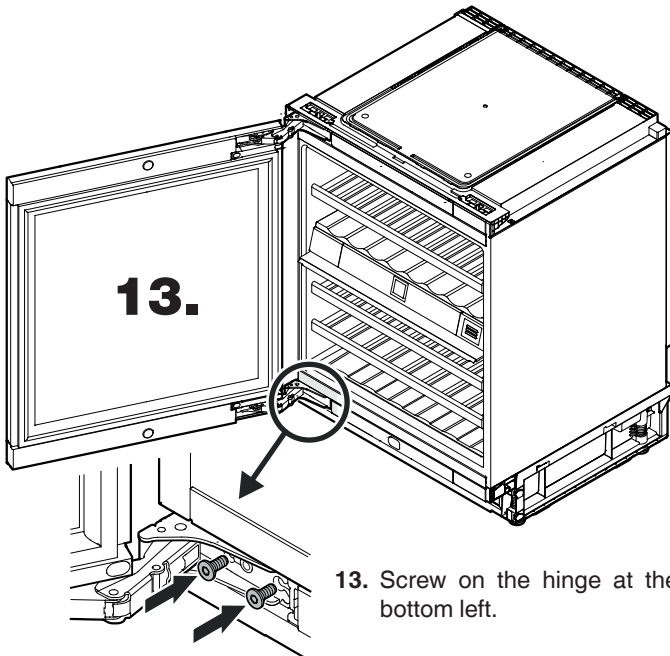
Adjusting the lateral tilt of the door

If the door is at an angle, adjust the angle.

13.

13. Screw on the hinge at the bottom left.

Tighten screws.

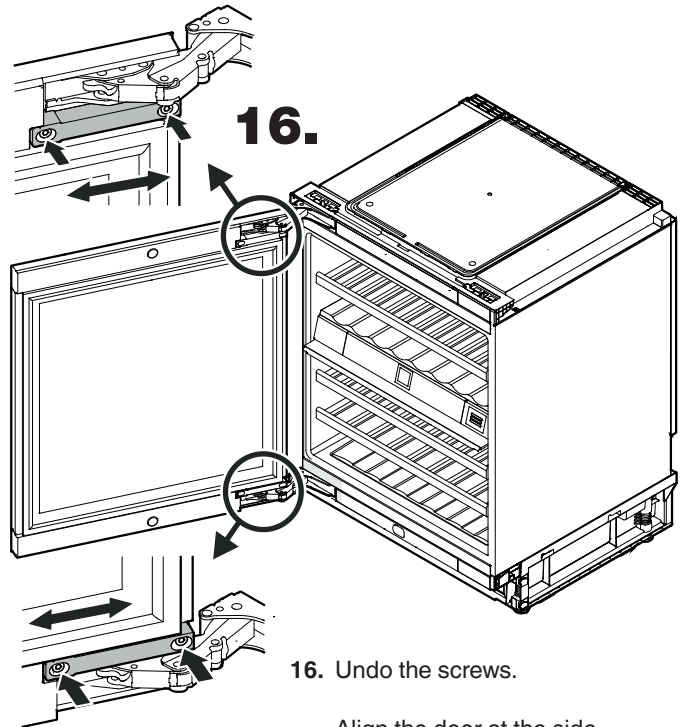


16.

16. Undo the screws.

Align the door at the side.

Tighten screws.

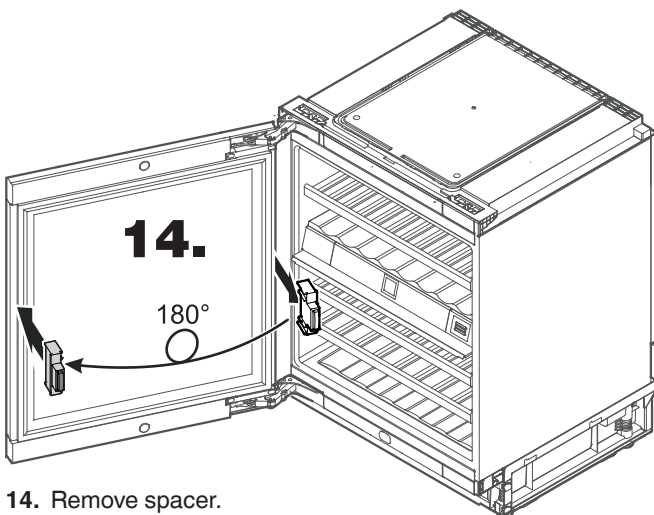


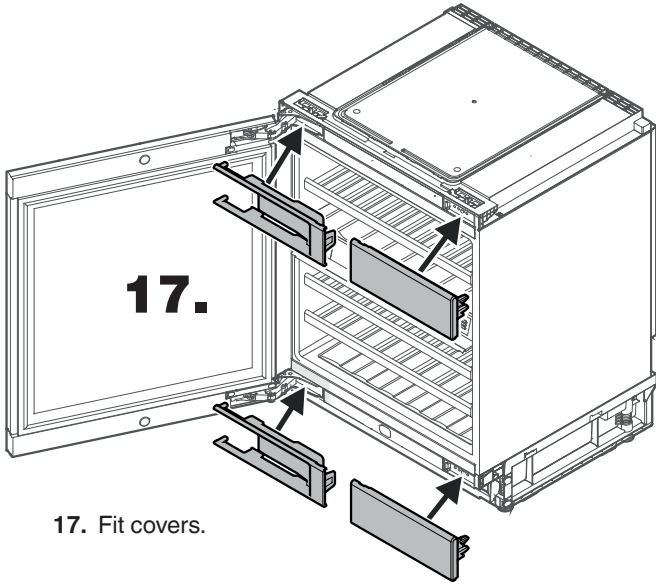
14.

180°

14. Remove spacer.

Turn spacer through 180° and re-fit on the opposite side.





17. Fit covers.



Liebherr Hausgeräte Lienz GmbH

Dr.-Hans-Liebherr-Strasse 1

A-9900 Lienz

Österreich

www.liebherr.com

