



Designs and Inspirations



# NICO CRYSTAL CHANDELIER

**IMPORTANT SAFETY INSTRUCTIONS INSTALLATION BY A LICENSED ELECTRICIAN IS STRONGLY RECOMMENDED.**

THIS LAMP IS SUITABLE FOR A 110-220V POWER SUPPLY. PLEASE DO NOT INSTALL IN A DAMP OR OUTDOOR ENVIRONMENT.

DO NOT CONNECT ELECTRICITY UNTIL YOUR FIXTURE IS FULLY ASSEMBLED. TO REDUCE THE RISK OF FIRE, ELECTRICAL SHOCK, OR PERSONAL INJURY, ALWAYS TURN OFF THE FIXTURE AND ALLOW IT TO COOL PRIOR TO REPLACING THE LIGHT BULB. DO NOT TOUCH OR LOOK DIRECTLY AT THE BULB WHEN THE FIXTURE IS ILLUMINATED. KEEP FLAMMABLE MATERIALS AWAY FROM LIT BULBS.

KEEP CORDS AT LEAST 3 FT AWAY FROM CRIBS, BASSINETS, AND TODDLER BEDS. KEEP ALL PARTS AWAY FROM CHILDREN. THIS IS NOT A TOY.

**INSTALLATION:**

**PLEASE BE ADVISED A LICENSED ELECTRICIAN WITH EXPERIENCE IN HANDLING LED DRIVER INSTALLATION MUST PERFORM ALL ELECTRICAL CONNECTIONS AND WIRING.**

**BEFORE INSTALLING START SHUT OFF THE MAIN ELECTRICAL SUPPLY FROM THE CIRCUIT BREAKER PANEL.**

MAKE SURE THAT YOUR ELECTRICAL BOX CAN HANDLE THE WEIGHT OF YOUR FIXTURE.

CAREFULLY REMOVE ALL PARTS FROM THE BOX AND REMOVE ALL PLASTIC COVERING. REFER TO THE PARTS LIST TO ENSURE ALL PARTS ARE INCLUDED. BE SURE TO OPEN EVERY INCLUDED PACKAGE, BAG, WRAPPED PACKS, ETC. TO AVOID ACCIDENTAL DISPOSAL AS SOME CHANDELIERS, INCLUDE EXTREMELY SMALL PARTS.

**REFER TO INCLUDED PARTS LIST AND DIAGRAM.**

PLEASE NOTE CERTAIN PARTS SUCH AS SCREWS, CRYSTAL CLIPS, RUBBER RINGS AND OTHER SMALL PARTS MAY ALREADY BE ATTACHED TO YOUR FIXTURE. PLEASE PAY CAREFUL ATTENTION FOR SUCH DETAILS. ALL PARTS MAY NOT BE LABELED OR LISTED.

FOR PENDANT OR CHAIN/ROD HANGING CHANDELIERS DETERMINE THE HANGING HEIGHT OF THE CHANDELIER FIRST IN ORDER TO ESTABLISH THE LENGTH OF CHAIN/RODS. ATTACH RODS / CHAINS AND FEED WIRES CAREFULLY THOUGH BEFORE CUTTING.

**REFER TO THE DIAGRAM FOR THE PARTS LIST AND ATTACHED PLACEMENTS.**

**BE SURE TO ASSEMBLE THE ENTIRE CHANDELIER FRAME BEFORE ATTACHING IT TO THE CANOPY IN THE CEILING.**

**CRYSTAL INSTALLATION CAN BE PERFORMED ONCE YOUR FRAME IS SECURELY ATTACHED TO THE CEILING AND PROPERLY WIRED.**

**IT IS RECOMMENDED TO TEST THAT THE FIXTURE IS PROPERLY WIRED FIRST BEFORE ADDING THE CRYSTALS.**

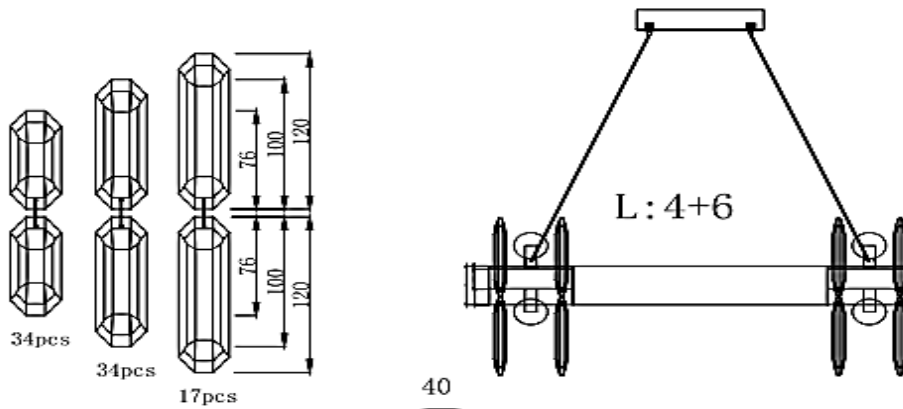
**PLEASE BE ADVISED A LICENSED ELECTRICIAN WITH EXPERIENCE IN HANDLING LED DRIVER INSTALLATION MUST PERFORM ALL ELECTRICAL CONNECTIONS AND WIRING.**

YOUR FIXTURE MAY HAVE TELESCOPIC ADJUSTABLE SUSPENSION WIRES ON THE CANOPY. IN SUCH CASES, YOU CAN ADJUST THE LENGTH BY PRESSING THE TELESCOPIC BUTTON ON THE CANOPY AND CAREFULLY PULLING THE WIRE TO THE DESIRED LENGTH. PLEASE DO NOT REMOVE THE WIRE FROM THE TELESCOPIC BUTTON AS THIS PART MAY BECOME DAMAGED AND PREVENT THE WIRE FROM BEING REATTACHED PROPERLY.

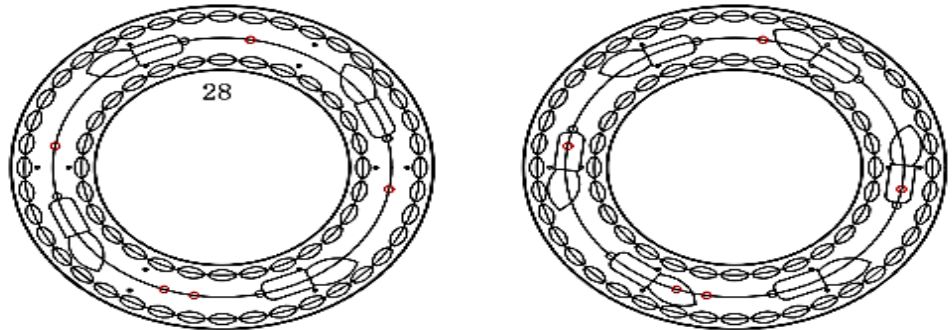


**WARNING TO AVOID SERIOUS INJURY PLEASE MAKE SURE YOUR CHANDELIER IS ANCHORED TO THE CEILING PROPERLY**

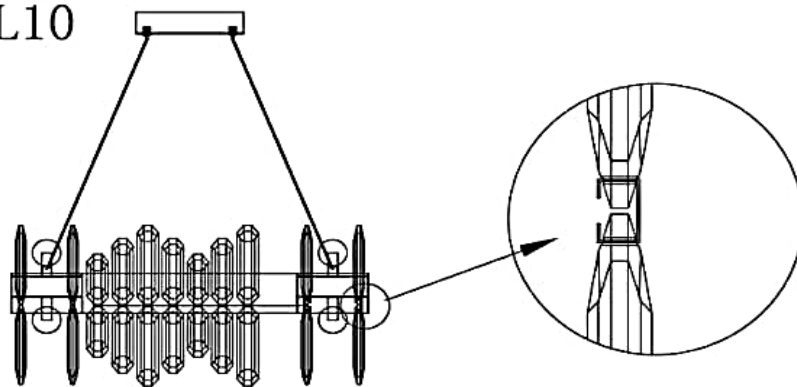
# PRODUCT DIAGRAM AND PARTS



CRYSTAL QUANTITIES MAY VARY  
BASED ON CHANDELIER SIZE.



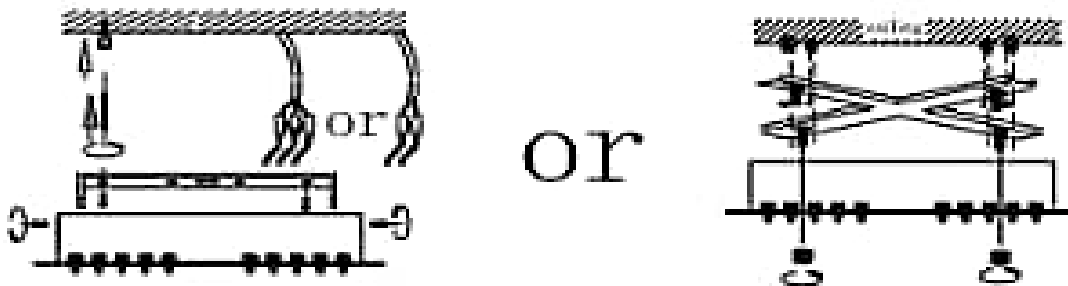
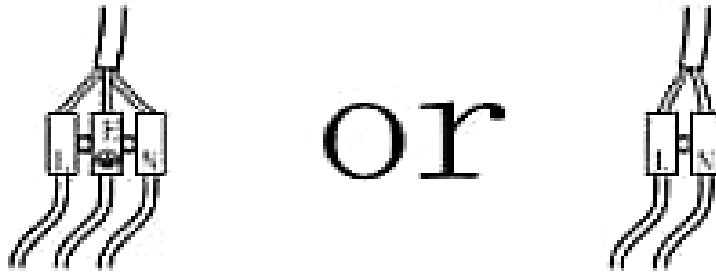
Ø500xH1500mm/L10



PLEASE FOLLOW THE PATTERN  
ON THE DIAGRAM TO INSTALL  
THE CRYSTALS.

**CEILING ANCHOR PARTS MAY BE ATTACHED TO THE CHADELIER**  
**CANOPY**

**CANOPY INSTALLATION DIAGRAM**



**⚠ WARNING TO AVOID SERIOUS INJURY PLEASE MAKE SURE YOUR CHANDELIER IS ANCHORED TO THE CEILING PROPERLY**

**TELESCOPIC CABLE ADJUSTMENTS**



Please press the telescopic button adjust the length of the suspension wire to complete the setting of the shape

NOTE: please do not move the wire out of the telescopic button, otherwise the telescopic button will be damaged