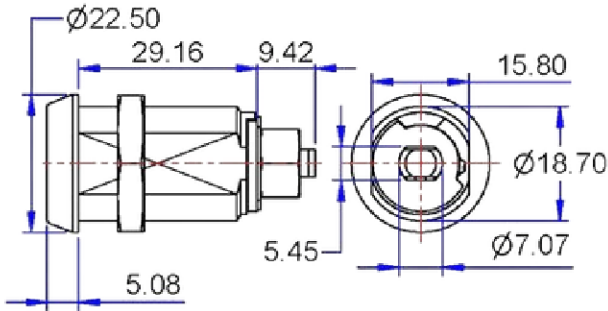


Samsonite 14cm Maganit SCEC Security Attache



Feature	Specification
Dimensions (external)	48W x 33L x 14cm
Dimensions (internal)	43.5 x 32.5 x 13.5cm
Bi-Lock	SCEC-approved SL3 keyed BiLock Exclusive CAMLOCK system
Side Locks	2 lock latches that open at the sides, disguised in the design of the case
No-Spill Feature	Automatically prevents case from opening when upside-down
Hinge	Patented hinge opens partially when upright and fully when laid flat
Case Open	Hinge keeps the case open for easy access
Carry Handle	Rugged and comfortable contoured carry handle
Lining	Fully lined interior
Internal Organizer Section	Includes stationary 2-tier file system on lid with adjustable straps for flexibility