



PLEASE READ AND SAVE THESE INSTRUCTIONS

HIGH STATIC BLOWER OWNER'S MANUAL

MODEL: BR-6, BR-15, BR-25, BR-35,
BR-252A (115V/60HZ)



XPOWER MANUFACTURE, INC.
240 Clary Avenue
San Gabriel, CA 91776, USA
Tel: 626-285-3301 Fax: 626-285-3302
www.xpower.com



TABLE OF CONTENTS

Introduction.....	3
Operation Instructions	4
Safety Instructions.....	5, 6, 7
Maintenance Instructions	8
Troubleshooting	8
Specifications.....	9
Parts List	10, 11
More XPOWER Products.....	12, 13
XPOWER Warranty / Service	14
Warranty Registration Form	15, 16

Introduction

Thank you for purchasing an XPOWER High Static Blower! With over 25 years of manufacturing experience, XPOWER Manufacture, Inc. is bringing a series of products with the most advanced technology in today's market. Your new XPOWER blower is engineered with top quality motors and superb housing to provide strong and lasting performance. All our products have a fully integrated design with state-of-the art miniaturization, allowing them to be light weight, quiet and rugged without sacrificing power or durability. Trust in XPOWER for all of your air blower needs. Enjoy!

Features:

- For indoor and outdoor use
- Low amperage draw with high airflow
- Weatherproof design
- Perfect for holiday decorations and small advertisement

Operation Instructions

XPOWER High Static Blowers are intended to fill up inflatables, advertising displays, structures, etc. Durable and easy to operate with an effective balance of static pressure and airflow, the units are suitable for a variety of applications.

1. XPOWER High Static Blowers are shipped ready-to-use. Prior to plugging the unit into the power source, inspect completely for any shipping damage.
2. With the unit unplugged, carefully place the unit on stable, flat, and dry surface.
3. Snugly attach your inflatable tube around the exhaust opening by using the velcro strap or any other form of tightener.
4. Plug the cord into a grounded GFCI outlet only. Using a 3-prong to 2-prong adapter is strictly prohibited.
5. Turn on the switch (except BR-6) to make sure the blower is operating correctly and the inflatable functions properly. BR-6 will work automatically when connected to power source.
6. All blowers in operation must be supervised at all times.

Safety Instructions

1. Never place the XPOWER High Static Blowers in close proximity to any heat source or open flame. The inflatable is flammable and could cause a fire and serious injury if not handled properly.
2. Do not operate the unit close to any dangerous areas such as explosive gases, flammables, heaters and unventilated environments that may result in explosions or electrical hazards.
3. Do not operate the blower without the inflatable attached because the blower must have back pressure in order to avoid any damage to the motor.
4. Keep children away from the unit at all times while in operation or plugged in. This product is not a toy and should only be used for its intended purpose.
5. Do not put fingers or other objects in any part of the unit while it is in operation or plugged in.
6. To prevent electric shock, do not drop unit into water, never plug in or unplug the appliance with wet hands or while standing in water.
7. Avoid sands, small rocks and other small objects being sucked in the blower.
8. To avoid risk of injury, do not direct stream of air at face or body.
9. If the power cord is damaged, it must be replaced by the XPOWER Manufacture, Inc. or an XPOWER authorized service agent or a qualified electrician in order to avoid a hazard.
10. Do not operate in pooled or accumulated water to avoid electric shock.

(Continued at Page 6)

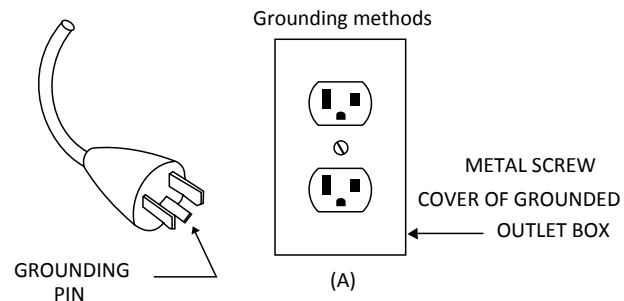
Safety Instructions

11. Outdoor use: while the blower is being operated outdoors, it must be plugged into a grounded GFCI outlet only. The motor must be kept dry at all times. If the unit becomes wet, turn the electricity off and switch the blower in the off position; thoroughly dry the unit before the next operation.
12. Indoor use use only with a grounded plug.
13. Never use a cord that has cuts, breaks, or any other apparent damage as harmful, electrical shock may occur.
14. Make sure the power source is sufficient to meet the requirements of the blower (see Specifications).
15. Keep air intakes and exhausts clean at all times to avoid clogging or blocking which will cause electrical hazards, overheating or fire.
16. To avoid objects from coming in contact with the blower fan or injury to persons, do not remove any screens or safety guards from the unit. Damage in this manner will void your warranty.
17. To reduce the risk of fire or electric shock, do not use this product with any solid-state speed control device.
18. Always place the blower on a smooth and level surface for safe operation.
19. Do not use the unit if defective or damaged.
20. Unplug the unit before maintenance, cleaning or servicing.
21. The blower and inflatable in operation must be supervised at all times.
22. Any misuse or abuse of this product will void your warranty.

Grounding Instructions:

This product must be grounded. In the event of an electrical short circuit, grounding reduces the risk of electric shock by providing an escape wire for electric current. This product is equipped with a cord having a grounding wire with an appropriate grounding plug. The plug must be plugged into an outlet that is properly installed and grounded in accordance with all local codes and ordinances.

WARNING - Improper installation of the grounding plug is able to result in a risk of electric shock. When repair or replacement of the cord or plug is required, do not connect the grounding wire to either flat blade pin. The wire coated and insulated in green is the the grounding wire. Check with a qualified electrician when you don't completely understand or have a problem to follow this instruction. Do not modify the original plug. If it does not fit your outlet, have the proper outlet installed by a qualified electrician.



This appliance is designed to use on a nominal 120V circuit, and has a grounding plug that looks like the plug illustrated in Figure (A).

Only connect the product to an outlet having the same configuration as the plug. Do no use an adapter with this product.

Maintenance Instructions

1. Always store the unit when not in use. Store indoors in a dry and cool environment free from debris or obstructions that might affect the unit.
2. To keep the blower clean, use a dry or damp towel to wipe the surface of the blower.
3. Never clean the blower with water.
4. Unplug and store at a dry indoor place unreachable for children, when not in use.

Troubleshooting

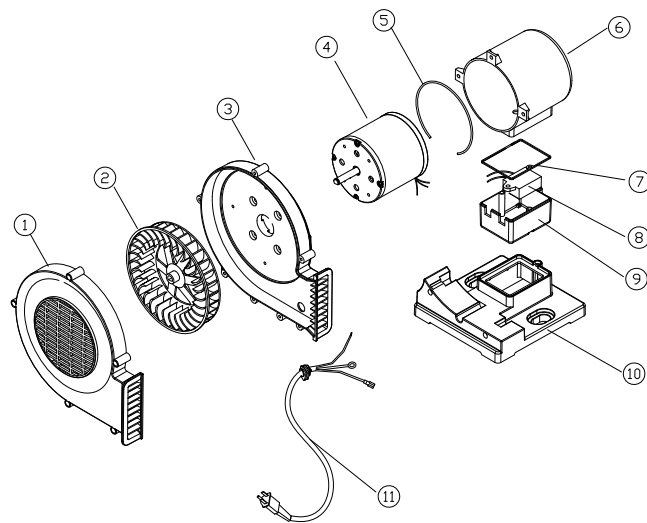
PROBLEM	POSSIBLE CAUSE	SOLUTION
Motor not running	Unit is not plugged in or switch is in "OFF" mode	Make sure the unit is plugged in and switch is in "ON" mode
	Defective power outlet	Check outlet or use another outlet
	Faulty switch/cord	Replace switch or cord
Scraping noise from blower	Obstructions at the intake or exhaust of blower	Remove obstructions
Weak airflow	Obstructed vents/inlets	Clean out vents/inlets

Specifications

Model	BR-6	BR-15	BR-25	BR-35	BR-252A
Volt / Frequency	120V / 60Hz	120V / 60Hz	120V / 60Hz	120V / 60Hz	120V / 60Hz
Power	1/8 HP	1/4 HP	1/3 HP	1/2 HP	1 HP
Amp	0.8 A	3.2 A	4.8 A	5.5 A	9.8 A
Rated Airflow (On High)	120 CFM	380 CFM	480 CFM	600 CFM	1000 CFM
RPM	3200	3200	3300	3200	3200
Unit / Box Weight	4.0 lbs. / 4.6 lbs.	8.8 lbs. / 10.4 lbs.	10.4 lbs. / 12.3 lbs.	12.8 lbs. / 15.0 lbs.	16.2 lbs. / 18.6 lbs.
Unit / Box Dimension (L x W x H)	8" x 5.7" x 8.5" / 8.7" x 6.3" x 9.4"	12.9" x 8" x 12.2" / 13.4" x 13" x 9.3"	13.6" x 8.4" x 13.7" / 14.4" x 14.2" x 9.8"	14.6" x 8.4" x 14.7" / 15.4" x 15.4" x 9.4"	15.5" x 11.2" X 16.7" / 17" x 12.5" x 17"
Power Cord (Length / Size)	6' / 18AWG	6' / 18AWG	6' / 18AWG	6' / 18AWG	6' / 18AWG
Thermal Protection	Single	Dual	Dual	Dual	Dual
Housing	PP	PP	PP	PP	PP
Safety Certification	ETL / C-ETL	ETL / C-ETL	ETL / C-ETL	ETL / C-ETL	ETL / C-ETL

BR-6 Parts List

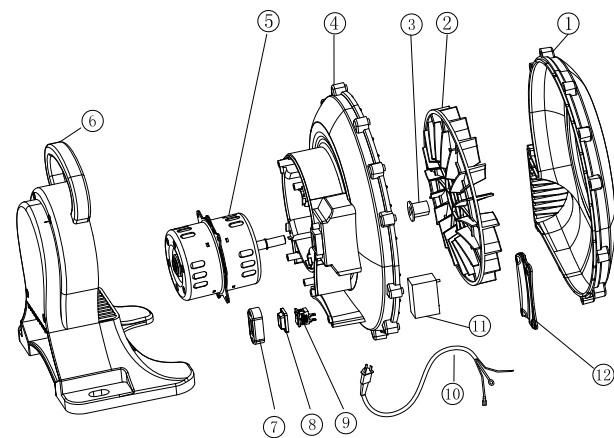
1	Front cover	7	Sealing pad
2	Impeller	8	Capacitor
3	Bottom cover	9	Wiring case
4	Motor	10	Base board
5	Sealing ring	11	Power cord
6	Motor cover		



BR-15/25/35/252A Parts List

1	Front cover	7	Switch cover
2	Impeller	8	Switch sleeving
3	Shaft bushing	9	Switch
4	Bottom cover	10	Power cord
5	Motor	11	Capacitor
6	Rear cover	12	Wiring case

Parts may vary from different models. Contact XPOWER for more information.



XPOWER Limited Warranty (USA)

XPOWER's Limited Warranty covers the unit (excludes power cord, motor brushes, and any other consumable parts) from defects in material and craftsmanship. The Warranty covers normal use for a term of one year from the original date of purchase including parts, labor, and one way shipping. Non-contiguous states must pay for roundtrip freight. Warranty honored with original proof of purchase only.

Important!

This Warranty does not cover or apply to defects directly or indirectly due to misuse, abuse, disassembly, alteration, corrosive chemicals, improper voltage, fire, flood, negligence, accident, improperly or incorrectly performed maintenance or repair, or failure to perform necessary maintenance or repair, or if the use of this product is not in compliance with the instructions and specifications for its use.

Service

For Warranty service and parts replacement (US customer only), you must:

- A. Call 1-855-855-8868 for a RMA (Return-Merchandise-Authorization) number.
- B. Have original proof of purchase provided.
- C. Use the original undamaged packaging or an industrial certified packaging method.

End user will be responsible for shipping the unit (with RMA Number showing on the shipping label) to XPOWER Customer Service Department. XPOWER will inspect, assess and advise the repairs needed and applicable cost, if any.

For users outside US, please contact an XPOWER Distributor in your country or region for warranty service and parts replacement.

Warranty Registration (for US customer only)

For your product warranty, please complete and mail / fax this form to XPOWER MANUFACTURE, INC.

Address: 240 Clary Ave., San Gabriel, CA 91776. Tel: 626-285-3301 Fax: 626-285-3302

(For your convenience, register your product online at xpower.com)

Company Name / Contact Person / Title _____

Address _____ City _____

State / Province _____ Zip _____ Country _____

Phone _____ Fax _____ E-mail _____

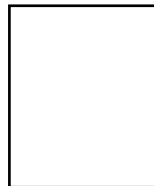
Model # _____ Serial #: _____

Date of Purchase ____/____/____ Purchased From _____

Additional Comments / Suggestions _____



From: _____



TO:
XPOWER MANUFACTURE, INC.
240 Clary Avenue
San Gabriel, CA 91776, USA
Tel: 626-285-3301, Fax: 626-285-3302

