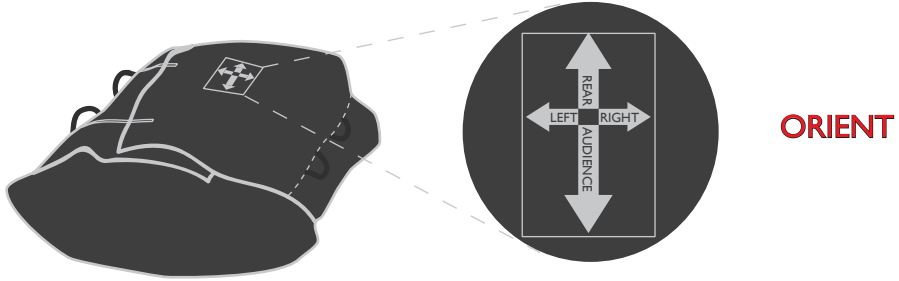
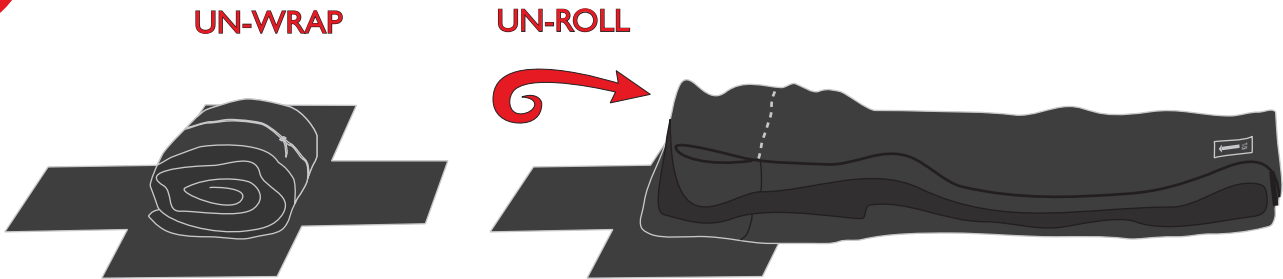


# Elite Screen Setup Guide

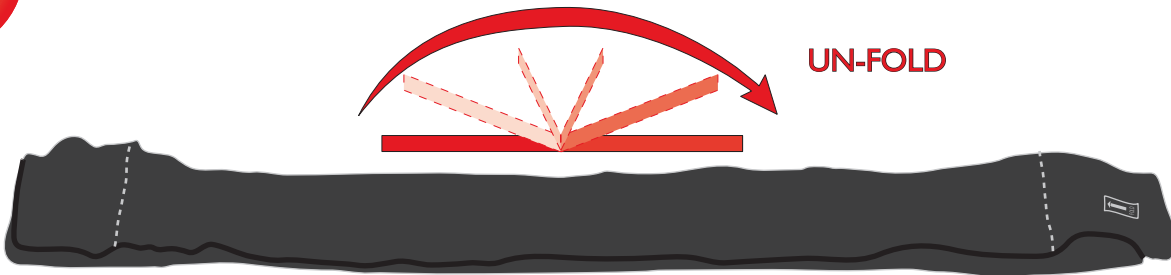
1



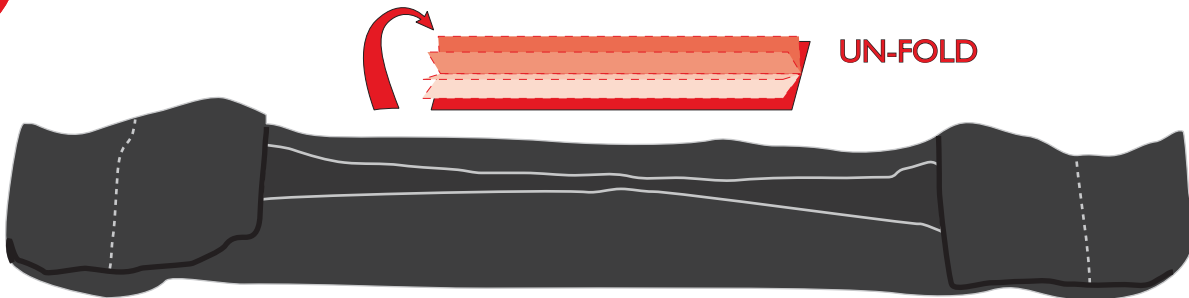
2



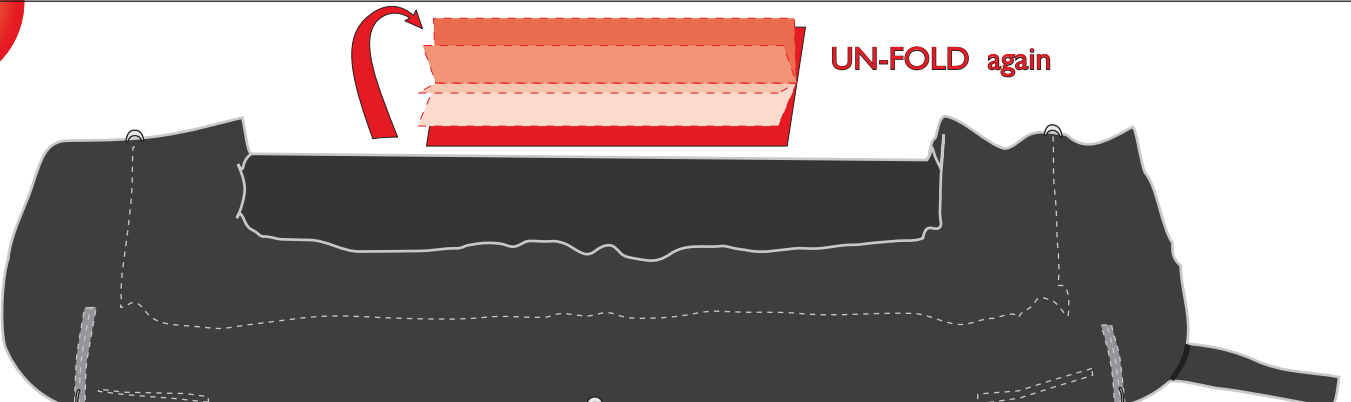
3



4

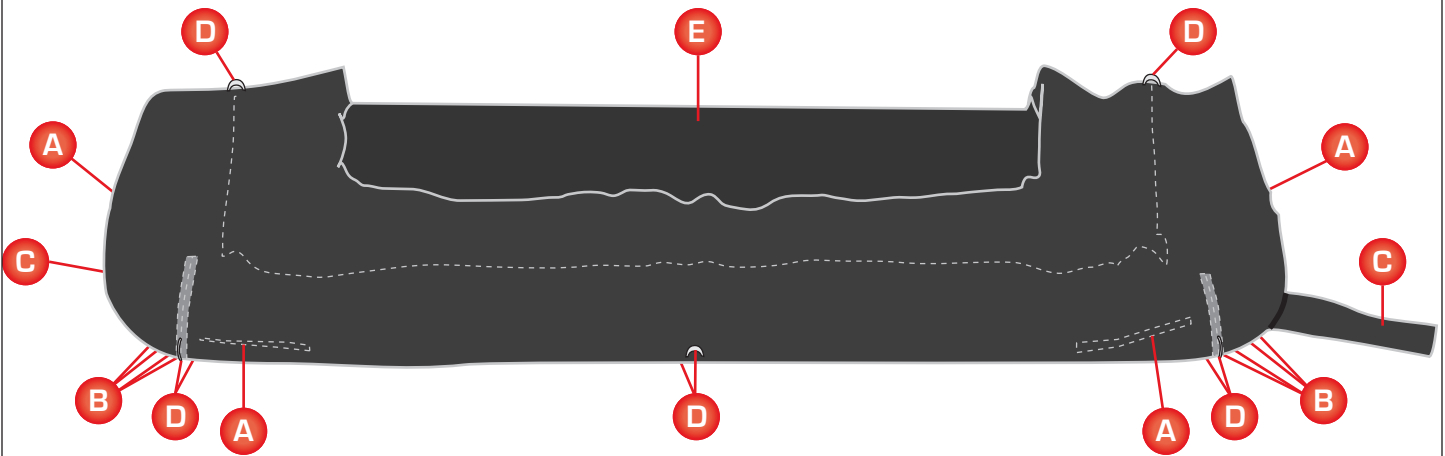


5



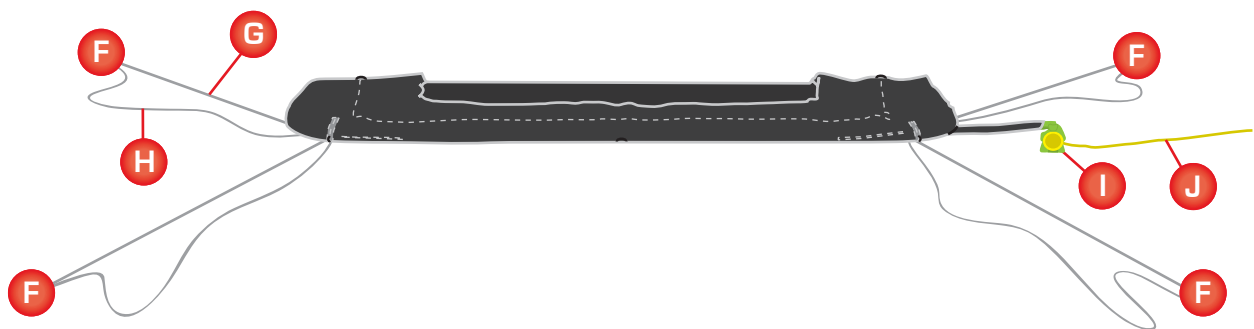
# Elite Screen Setup Guide

Elite Screen folded in half and ready to be tethered down.



- A.** Four zipper/Velcro air vents. Two on the top. One on each side.
- B.** Eight D-rings with tethers/ropes. Two on each corner of the screen.
- C.** Two inflation sleeves. One is a backup and is tucked into the inflatable.
- D.** Eight handles. Three on top, three on bottom, two in middle. Used to fold and position screen.
- E.** Back of projection surface. Black back on standard front only projection surface.

Elite Screen ready for inflation.



- F.** Four steel stakes.
- G.** Four bottom tethers, tied as tight as can be.
- H.** Four top tethers, tied leaving the prescribed amount of slack.
- I.** Air blower.
- J.** Power cord for air blower.

# Elite Screen Setup Guide

6

Close all four air vents. There are two on the top and one on each side. First zip closed then cover with the Velcro strip.



7-9

Secure stakes in ground at prescribed distances from screen. (See chart & diagram on next page)

Tie bottom tethers to stakes very tightly.

Tie top tethers to stakes leaving the prescribed amount of slack. (See chart on next page)



10-11

Attach air blower to inflation tube and connect air blower power.

Turn on air blower.



12

Lengthen or shorten the top tethers as needed for proper inflation.



13

Adjust screen position if necessary and re-tighten all tethers.



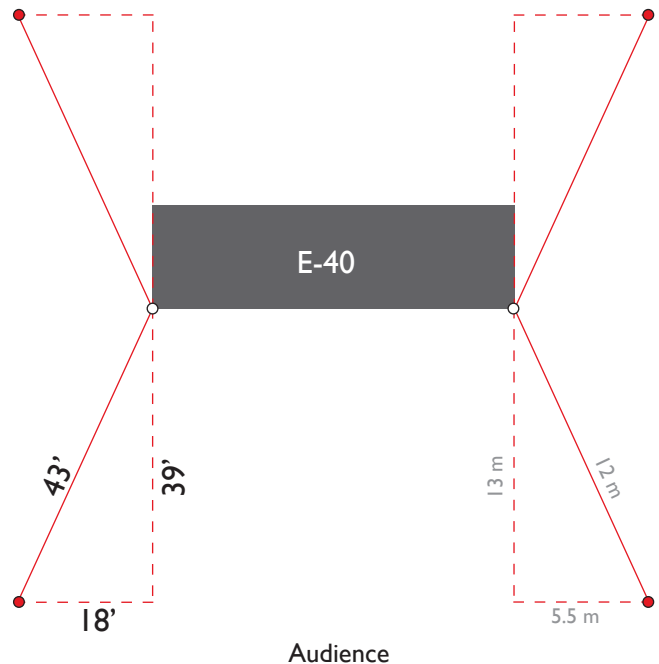
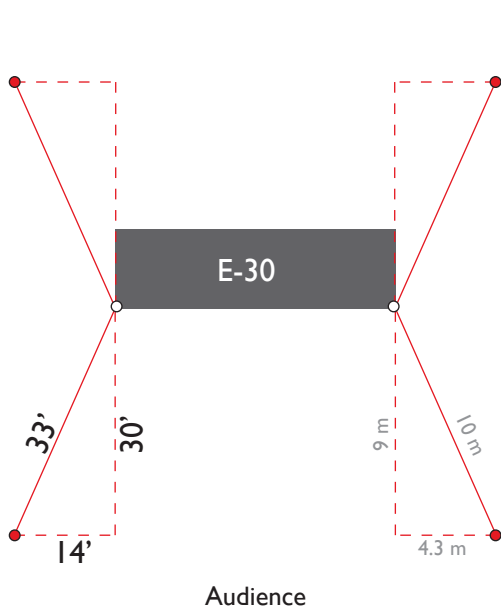
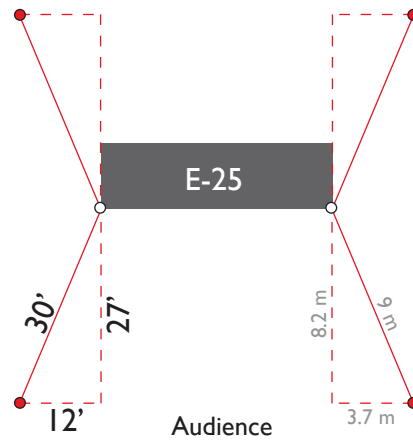
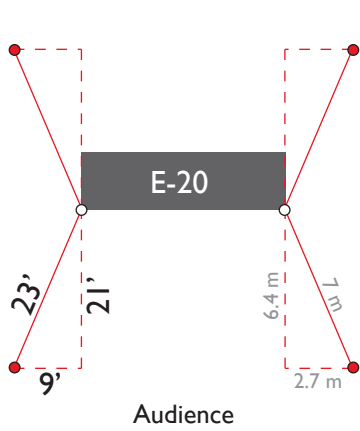
# Stake Placement for Elite Screens

Each venue is unique, however be sure to follow these two principals when placing stakes.

1. The distance from the screen corner to the stake must be greater than the screen height.
2. The distance out from the screen must be greater than the distance to the side of the screen.

- The following distances serve as guides only.
- Distances are measured from the front corners of the screen when it is ready for inflation. Even the distance to the rear stakes is measured from the front corners.

Model	Height	Dist. Out	Dist. to Side	Diagonal Dist.	Large Steps Out	Large Steps to Side	Slack in Top Tethers
E-20	21.5'	21'	9'	23'	6 - 8	3	5'
E-25	24.5'	27'	12'	30'	8 - 10	3 - 4	6'
E-30	27.5'	30'	14'	33'	9 - 11	4 - 5	7.5'
E-40	34'	39'	18'	43'	12 - 15	5 - 6	9'



# Trouble Shooting Guide



Air blower sleeve is twisted



Top front tethers are too long



Top tethers are too short



Top front tethers are too long. Top back tethers are too short.



Left and right top tethers are not consistent.