

# Open Air<sup>★</sup>

C I N E M A

THE WORLD'S PREMIERE  
OUTDOOR MOVIE SYSTEMS



cinebox™

[www.openaircinema.us](http://www.openaircinema.us)

# ELITE SCREEN

## WIDE TUBES

Wide tubes protect the projection surface when folded up and offer stability in windy conditions.

## INFLATABLE MATERIAL

18oz vinyl weft material, tear resistant substrate, NFPA 701 fire compliant

**3 YEAR WARRANTY**

**35 MPH WIND RATING**

**MADE IN USA**

## TETHERS

Nylon tethers attached to steel rings provide stabilization for your screen. Your audience will enjoy uninterrupted movie viewing even in windy weather. 2,000 lbs rating per tether.

## STITCHED SEAMS

Our stitched seams are famously strong giving the Elite Screens a 35 mph wind rating.

## VELCRO / ZIPPER AIR VENTS

Air vent provides instant emergency deflation, one on each side and two on top.

## DUAL INFLATION SLEEVES

Easy access for quick inflation on either side of the screen.

## AIR BLOWER

Our quiet blower provides constant air and quickly inflates your screen and maintains constant pressure.

## SCREEN ORIENTATION TAGS

Set up and inflation are a breeze with the Elite Screen. Orientation Tags are located on the screen for easy set up and take

## STEEL STAKES SLEDGE HAMMER

Your Elite Screen comes complete with all that is needed for easy screen inflation and stability. Rust free steel stakes and sledge hammer are the little things that make your purchase of a CineBox Elite Outdoor Theater System complete.

## BREAK-DOWN INSTRUCTION TAGS

After your event is complete, breaking down your Elite Screen is an easy and quick process. Permanent Break Down Instruction Tags are attached to the screen to guide you through every step.

## HEAVY-DUTY STEEL RINGS

Steel rings provide screen stabilization while your screen is inflated. Elite Screens are warranted in up to 35 mile-an-hour winds. Tension points are reinforced with five layers of material.

## HANDLES

These durable, sewn-in handles allow for easy mobility when folding and transporting your Elite Screen.

## PROFESSIONAL ELITE SCREENS

Elite Screens are designed for mobile, fast inflating, manageable, impressive outdoor cinema productions. The Elite Screens are puncture proof, wrinkle-free and will not deflate. Made in the USA, all Elite Screens come with a three year warranty.

For impressive outdoor movie events all you need is an Open Air Elite Screen. The ease of use and durability are world-class. Open Air Elite Screens are the best in the market and are the screens of choice of outdoor cinema and film industry professionals. Owners include the LA Film Festival, Tribeca Film Festival and Coachella.

# ELITE SCREEN SIZES AND SPECS

Make your large outdoor event one to remember. Elite Screens offer the biggest surfaces with viewing capacity for audience sizes of 500 to 3,000. Custom outdoor systems are available for audiences of 10,000+ viewers.

## FRONT ONLY PROJECTION SURFACE

Elite Screens come with our Standard Front Only projection surface. Luminance: 0.9 on-axis.

## OPTIONAL ELITE SCREEN PROJECTION SURFACES

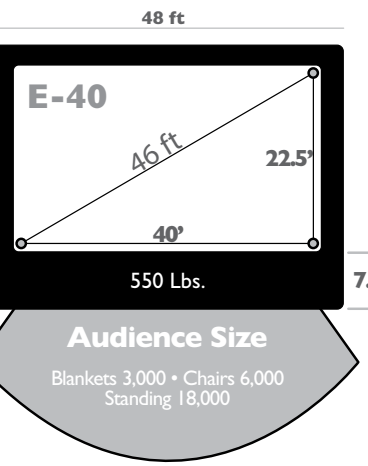
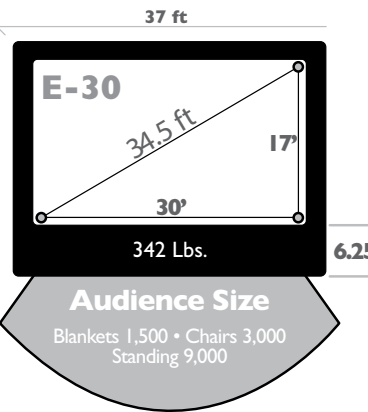
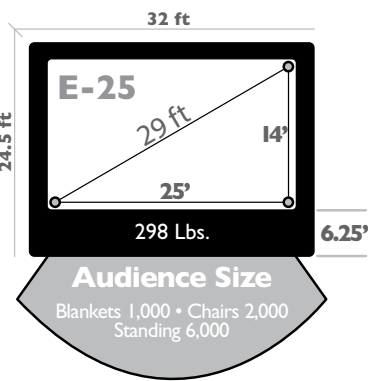
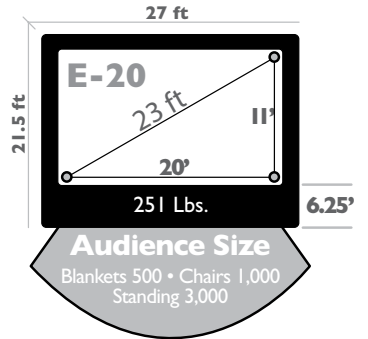
Elite Screens offer a variety of optional projection surfaces to suit your event needs. The Front/Rear projection surface is a versatile solution that works best for event producers who have some venues that require front projection and some that require rear projection.

When you know you will only be projecting from behind the screen, the Rear Only projection surface will give you the best image.

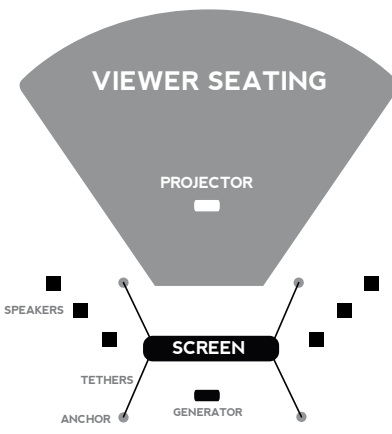
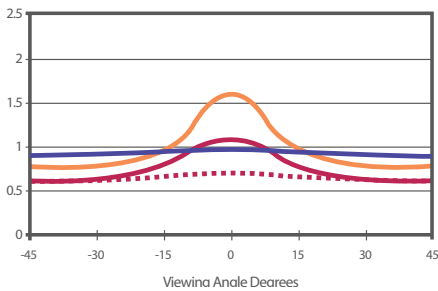
Also available for your Elite Screen is our screen with black backing which blocks all ambient light from behind. This will block out street lights, house lights or headlights that may be present from behind the screen, providing your audience with even, clear, bright and uninterrupted viewing.

## FOLDING TETHER

Pulling on this tether during deflation will provide easy folding of the Elite Screen especially in windy conditions



Gain Curves





# CINEBOX ELITE CONSOLE COMPONENTS

*Standard and custom configurations available.  
Components not limited to those pictured.*

## MULTI-CHANNEL AUDIO MIXER

*Mix multiple audio sources and seamlessly fade from one to the next. Add vocal performers, live bands and any media player all from within your CineBox™ Elite Console.*



## PREVIEW MONITORS

*Bright LCD preview monitors provide real-time viewing of your media player content.*



## TWO PROFESSIONAL MEDIA PLAYERS

*Customize your CineBox™ Elite console with two professional DVD Players, Blu-Ray Players, or Gaming Consoles. Full 1080p HD and 3D options are available with the Blu-Ray Players and Gaming Consoles.*



## ADVANCED VIDEO SWITCHER

*The simple yet robust video switcher will provide quick switching of the projected video image from the two built in media players. Play a sponsor's video advertisement, and when ready, easily switch to your queued media content.*



## POWER CONDITIONER WITH LIGHTS

*Delivers clean and stable voltage for optimum performance. It has eight switched AC outlets in the rear panel power to protect all your equipment from power surges.*





# CINEBOX ELITE CONSOLE

CineBox Elite is an all-in-one audio/visual console with the best in pro-audio sound and video projection. Everything you need to produce blockbuster outdoor movie events (from the projector, to the video switcher, to the media player, and wireless microphone) is in place and ready to go.

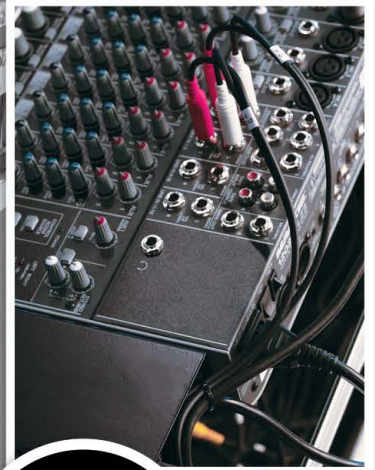
## SAMPLE CINEBOX ELITE CONSOLE

Standard and custom configurations available. Contact us today at 866-802-8202 for more information about customizing your CineBox™ Elite Console and System.



### WIRES

All wires are pre-connected, consolidated and secured in the rear of the CineBox Elite Console.



### ALSO INCLUDES

MP3 adapters and cables  
Individual component manuals  
Pullout storage drawer  
Tough protective ATA case

### WIRED AND WIRELESS MICROPHONES

Accentuate the clarity, and increase your mobility with a wireless microphone system. Simple wired microphone options are also available.



Professional grade equipment is fundamental to our rugged Elite Systems. The CineBox Elite system's central projection console features advanced media players, LCD preview monitors, simple video switching, multi channel audio processing, and more. All equipment comes encased and road-ready. Our attention is in the details.

CineBox Elite is compatible with PC Laptops, iPod, MacBook, Nintendo Wii, Microsoft Xbox, Sony Playstation, and virtually any media player.









# CINEBOX ELITE AUDIO

To make your outdoor movie production an epic runaway success, CineBox Elite incorporates the thunderous sound of professional powered speakers. Your audience will not only see movie magic but will feel all the action with powerful, bone-rattling theater quality sound. While delivering the professional sound your event requires, these speakers remain portable and simple to use.

## MACKIE SPEAKERS

CineBox Elite provides Mackie 2-Way Portable Active Loudspeakers, providing your event with superior audio clarity and dispersion. These compact, yet loud speakers can be pole mounted and combined with subwoofers for that heart pounding theater sound.

These speakers provide precise reproduction of critical upper mid-range and high frequencies, impact-resistant enclosure with sturdy handles and integrated rigging points. Setup options include: pole mount, flyable and wedge.

### SPEAKERS INCLUDE

*Speaker bags, Speaker stands, XLR Cables*

### SPEAKER BAGS

*We provide you with a black canvas and zipper speaker bags for safe and sound transportation of your audio system. These bags are rugged and have a wide shoulder strap keeping the load distributed evenly.*

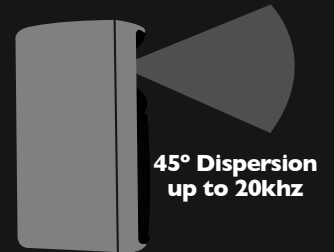


### SPEAKER STANDS

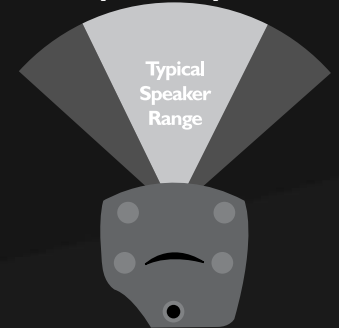
*Height 3' 8" - 6' 8"  
Weight 6.2 lbs.  
Base diameter 47"  
Load Capacity of 150 lbs.  
Folded 43.5" x 5 1/2"*



### SPEAKER RANGES



### 90° Dispersion up to 20kHz



### UPGRADE WITH SUBWOOFERS

Nothing says blockbuster like the deep pulse pounding bass of Active Subwoofer Systems. 800 Watts of continuous power will capture your audience's attention and will provide your event with an extremely powerful system capable of real professional output levels. Upgrade with subwoofers and Crown amplifiers.



Also Available





# ELITE VIDEO PROJECTION

Captivate your audience with amazing ultra bright and crystal clear video projection. Our CineBox Elite system includes a projector from industry leaders in large-venue projectors. The projectors come with easy to navigate menus and front or rear projection capability. Also available are short, standard, and long throw lenses. Each projector comes with a custom protective hard case for safe mobility.

## OPTIONAL PROJECTOR LENSES

A wide range of optional lenses are available for your CineBox™ Elite projector. One key to production flexibility is the throw ratio of your lens. Throw ratio is the ratio between the width of the projected image and the distance the projector is from the screen. Our optional lenses offer outstanding clarity along with increased placement flexibility.



**SHORT  
THROW**



**STANDARD  
LENS**



**LONG  
ZOOM**



**ULTRA  
LONG  
ZOOM**



**CUSTOM  
PROTECTIVE  
HARD CASE**



## PROJECTOR HIGHLIGHTS

- HD and 3D options available
- Digital Visual Interface (DVI-D w/HDCP)
- ECO Mode
- Color Management System
- HDTV Compatible
- X-Y Digital Keystone Correction
- Upward/Downward Projection
- Verticle/Horizontal Edge Enhancement
- Variable Audio Out
- Whisper Quiet Fan (36 dBA in Eco Mode)
- Power Lens Shift (Up/Down)
- One-Touch Lens Mount System
- A Variety of Optional Lenses Available



## PROJECTOR UPGRADES

- True HD Projector: Native 16:9 with 1080p. 3xLCD or DLP chips
- Brighter Projectors: 5,700, 7,000, 9,000, 15,000, 20,000, 30,000 Lumen Projectors
- Projector Replacement Lamps, Xenon Arc Lamps
- Interchangeable Short Throw or Long Throw Projector Lenses

CineBox Elite projectors convey stunning images with remarkable color precision and dramatic detail. Your movie projection will be crisp and clear delivering realistic images that will impress your audience.

# CINEBOX ELITE TRAINING

An in-depth on site training is available to ensure you get years of worry free use out of your outdoor cinema system. We will send one of our certified technicians to your location to train you on your system. You will benefit from our years of experience as we share our set up secrets, tricks of the trade and thoughtful training for you and your staff to produce professional quality outdoor events with the best outdoor cinema system in the world.

With CineBox Elite you are never alone. Your professional event production staff will join a nationwide group of outdoor cinema professionals that rely on us for up-to-date training and equipment.



## CINEBOX ELITE EXTRAS

Our product design team and our professional production staff have thought of everything when selecting the components that are included in our CineBox™ Elite Systems. You can rest assured that your system is equipped with the most current, state-of-the-art digital projection, sound, and screening equipment to produce professional quality events.

### CINEBOX ELITE INCLUDES

*Power Cords  
Tables and Chairs  
Work lights  
Spare Bulb for Projector  
Large Cart for Screen*

### HONDA GENERATORS

*When producing outdoor cinema events, the power source acts as the heart of the entire audio/video system. Honda generators are available for your CineBox™ Elite Systems to provide clean quality power you can rely on. Honda has an unmatched reputation for providing consistent and reliable generators that offer dependable starts and keep running year after year.*

### CINEBOX ELITE OPTIONS

*Mongo Mover (screen cart upgrade)  
Standard or SuperQuiet Honda Generators – 5000W, 6500W, 10000W  
Electrical Distribution Boxes 110/220v with 50 Amp or 100 Amp twist lock cables  
Extra High Pressure Blowers: 1.5 hp, 2.0 hp  
FM Transmitters for Drive-In style events  
Advanced Video Scalers, Digital Video Mixers, Digital Audio Mixers  
DBX Delay Racks, Voltage Regulators, International Voltage Converters  
Custom ATA Cases for Speakers and all Equipment  
Karaoke Machine, Popcorn Machines, Concession Supplies*



### UPGRADES

*Although our standard CineBox Elite Systems include all of the essential equipment you will need to pull off stunning events, we also offer many upgrades that can put your shows over the top! Due to the ever-changing nature of event productions, Open Air Cinema has the component upgrades to fit even the most demanding event. Upgrade options include: more sound, subwoofers, audio delay, HD projection, long and short throw lenses and more.*





# DELIVER THE MAGIC OF OUTDOOR CINEMA WITH CINEBOX ELITE

CineBox Elite is the most portable large venue outdoor cinema system available today. It offers a huge inflatable movie screen and an all-in-one audio/visual console with the best in pro-audio sound and outdoor video projection. You'll benefit from Open Air Cinema's years of outdoor cinema experience. Tell us your expected audience size, and we'll outfit you with an extraordinary system for your audience and a reliable system for your employees.

## MILITARY BASE EVENTS

- Celebrate when soldiers come home
- Build base unity
- Perfect events for families
- Great for full color slide show productions
- Outdoor night training
- Recruiting

## RESORTS

- Poolside movies
- Special event productions
- Entertainment for all your guests
- Movies on the beach

## UNIVERSITY EVENTS

- Sporting events
- Movie nights on school fields
- Fill your stadiums with professional outdoor cinema nights
- Video Game Tournaments
- Theme night events
- Student Film Festivals

## BUSINESS OPPORTUNITY

- Bring out the world-class movie event producer within you.
- Deliver movie magic to mass-audience events.
- Create your own event production company.
- Become an outdoor cinema professional today.

## PARKS AND RECREATION

- Pool side movies – dive-in-movies
- Movies in the Park – great for community unity
- Add value to community events
- Fund raising opportunities

## PROFESSIONAL EVENT PRODUCTION

CineBox Elite provides everything you need to professionally produce outdoor movie magic for large audience events.



MAKE YOUR NEXT EVENT A BLOCKBUSTER WITH CINEBOX ELITE



# ELITE PACKAGES

Whether you need a huge Open Air Screen or a complete CineBox Elite System with all the bells and whistles, Open Air Cinema has endless options to meet your outdoor cinema needs.

	ES-20	ES-25	ES-30	ES-40
<b>SCREEN</b>				
20' Open Air Screen	X			
25' Open Air Screen		X		
30' Open Air Screen			X	
40' Open Air Screen				X
<b>PROJECTOR</b> <small>(minimum recommended projector brightness)</small>				
(1) 4500 Lumen LCD Projector	X	X		
(1) 5500 Lumen LCD Projector			X	
(1) 6500 Lumen LCD Projector				X
<b>SOUND</b>				
(2) Mackie or JBL Powered Speakers	X			
(4) Mackie or JBL Powered Speakers		X	X	
(6) Mackie or JBL Powered Speakers				X
<b>AUDIENCE SIZE</b>				
Blankets 500, Chairs 1,000, Standing 3,000	X			
Blankets 1,000, Chairs 2,000, Standing 6,000		X		
Blankets 1,500, Chairs 3,000, Standing 9,000			X	
Blankets 3,000, Chairs 6,000, Standing 18,000				X

Additional CineBox Elite Options Available. Call an Open Air Cinema sales representative today for details.

## ALSO INCLUDED IN CINEBOX ELITE PACKAGES

Protective cover with handles for screen, air blowers (one for backup), screen repair kit, high tension tethers, 3.5' steel anchor stakes, steel sledge hammer, 2 professional rack mount media players (CD / MP3 compatible), power conditioner with lights, audio mixer, video switcher, multi screen LCD panel, wired or wireless microphone, professional speaker stands with bags, XLR speaker cables, and a case for cables and cords. Optional add-ons include on-site training, screen cart, equipment hand truck, work lighting, extra projector bulbs, padded protective case for projector and extension power cables.

## CUSTOMIZE YOUR SYSTEM

Although we provide a number of standard packages for you to choose from, this is only the beginning. Each system can be customized to meet your unique event needs. Contact an Open Air sales representative today to learn about the endless options

ALSO AVAILABLE



### CINEBOX PRO

Perfect for smaller professional events. Great for resorts, small city gatherings and sporting events.



### CINEBOX HOME

Perfect for home and backyard use. Enjoy your favorite movies by the pool, in your backyard, or at a BBQ on the beach.



## BECOME A PART OF THE WORLD'S LARGEST NETWORK OF OUTDOOR MOVIE EVENT PRODUCERS ON OUTDOORMOVIE.COM

When you purchase an Open Air Cinema CineBox™ Elite outdoor movie system, we'll list your events and company information on [outdoormovie.com](http://outdoormovie.com), the place where everyone goes to find listings of free outdoor movies, and to find event producers to take care of their next big event. When you purchase from Open Air Cinema, you aren't alone. We stand behind our customers, and do everything we can to promote your events and to make your business or community a success.

Visit [www.outdoormovie.com](http://www.outdoormovie.com) today.

**Open Air**  
C I N E M A

[www.openaircinema.us](http://www.openaircinema.us)  
Call 866-802-8202

SCAN TO  
GO TO CINEBOX ELITE  
SYSTEMS PAGE ON  
OPEN AIR CINEMA'S  
WEBSITE

