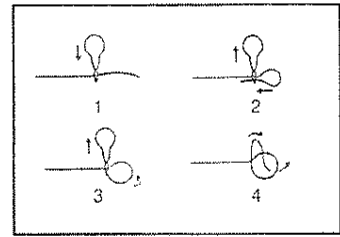


- Turn the rotary wheel, lowering the needle into the cloth & continue to turn the rotary wheel until the needle arm is again at it highest position.
- Lift up the fastening plate and take off the cloth to the left, making sure not to pull the thread, or the seam will unravel.

9. Turn to back side of the cloth and guide the reserved 3 inches of thread according to the following figures to make the knot (see diagram to the right):

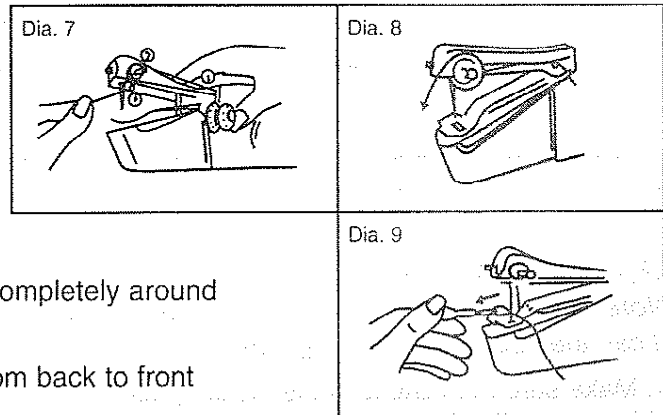


- First pass threader through the last stitch.
- Put the thread into threader.
- Pull out about 1 inch.
- Guide the thread through the loop and pull it tight to finish the knot.

## How to Thread Stitch Sew Quick™

**Note:** Thread should flow from the top right of bobbin or spool. Spring must be in place before installing bobbin.

- Thread the handy Stitch Sew Quick™ according to the diagrams 7, 8 and 9.
- Pass thread through the eyelet on needle arm (see diagram # 7).
- Pass thread over top of tension control. Do not wrap completely around tension control (see diagram # 8).
- Use threader to pass the thread through needle eye from back to front (see diagram # 9).

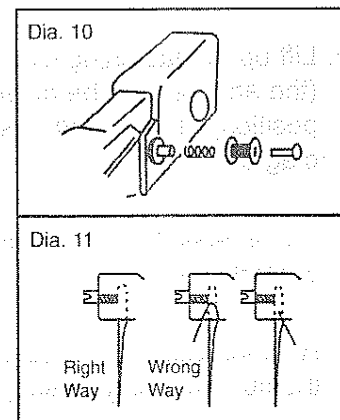


## Adjusting Thread Tension

- If stitching is too tight, turn tension control slightly to the left.
- If stitching is too loose, turn tension control slightly to the right.

## To Install a Normal Thread Spool (see diagram #10)

- Loosen the bobbin nut and take off bobbin.
- Slide thread spool into extension spindle.
- Connect the extension spindle on bobbin shaft.



## To Replace Needle

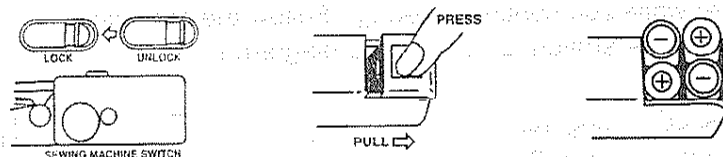
Loosen the set screw with a screwdriver and take off the old needle. Always use a # 14 style DHx1 sewing needle. Needle must be installed with flat side of needle shank facing the front of Stitch Sew Quick™ (see diagram # 11).

## Bobbin Replacement

When purchasing replacement bobbins for the Stitch Sew Quick™, please note this machine uses a Class 15 bobbin.

## To Replace Batteries (4AA not included)

**Note:** Make sure machine is in the locked position prior to battery replacement.



## AC/DC Adapter (not included)

Adapter must be 6V 800mA. Adapter must use plug with 1/8"/3.5mm diameter. Plugging an adapter into a portable that has different ratings could damage the portable & adapter.

**CAUTION:** Needle is sharp. Use care when working with needle to avoid injury. Keep away from children. When not in use, machine should always be kept in the locked position.