

### Michley/Tivax Limited Warranty To Original Purchaser

Michley/Tivax warrants this product purchased in the USA against defects in material and workmanship under normal use and service for a period of one year from the date of retail purchase by the original end-user purchaser. Products will not be warranted if the serial number is removed or defaced.

This warranty shall be void upon transfer of ownership of this product and is effective only when used in the United States.

Michley/Tivax agrees to repair or replace this unit at no charge, within the warranty period, providing that the product is delivered to Michley/Tivax in its original package or equivalent, fully insured, with all shipping charges prepaid and a return authorization number listed on the outside of the packaging. A handling charge of \$25 will be applied to any returned product found not to be defective. To honor this warranty and to ensure the best service to our customer, Michley/Tivax requires the following information to be included with the returned unit:

- A copy of the original sales invoice from your vendor.
- Model number & serial number of the unit.
- A detailed description of the problem, associate electrical connection and hardware.

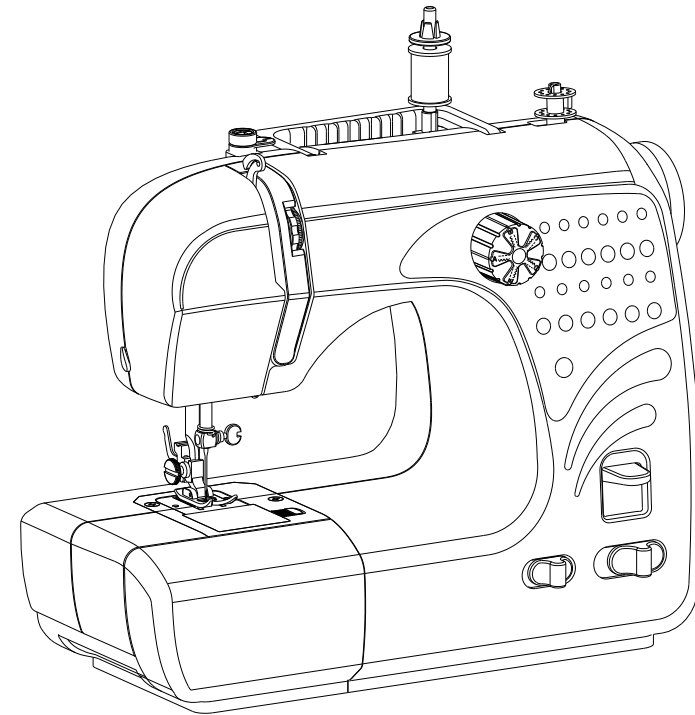
A Return Authorization number can be obtained by faxing to 650 963-3585 or Emailing support@tivax.com prior to returning the unit.

This warranty contemplates the owner will reasonably maintain this instrument or product without alteration, negligent use, misuse, or abuse. Furthermore, any unauthorized alteration of this device without written approval by Michley/Tivax will void any warranty and the owner's right to operate this device.

This warranty presented above is exclusive and in lieu of all other expressed or implied warranties. Any warranty applicable to this product is limited to the period described above. In no event will Michley/Tivax be liable for any special, incidental, or consequential damage, loss of revenue, or cost of replacement goods resulting from the use of malfunction of this product to the equipment system on which it is used. This warranty gives specific legal rights and you may have other rights that vary from state to state.

## SEW & SEW ELECTRONIC SEWING MACHINE SS 602

### Instruction Manual



Model: SS 602

For correct usage read these instructions carefully and keep in a safe place for future reference. Please note that this sewing machine is only suitable for domestic use.

**Caution:**

1 This appliance is not intended for use by persons (including children) with reduced physical, sensory or mental capabilities, or lack of experience and knowledge, unless they have been given supervision or instruction concerning use of the appliance by a person responsible for their safety.

2 Children should be supervised to ensure that they do not play with the appliance.

**Correct Disposal of this product:**

This marking indicates that this product should not be disposed with other household wastes throughout the EU. To prevent possible harm to the environment or human health from uncontrolled waste disposal, recycle it responsibly to promote the sustainable reuse of material resources. To return your used device, please use the return and collection systems or contact the retailer where the product was purchased. They can take this product for environmental safe recycling.



## IMPORTANT SAFETY INSTRUCTIONS

When using an electrical appliance, basic safety precautions should always be followed, including the following:

Read all instructions before using this appliance.

**DANGER**---To reduce the risk of electric shock:

1. An appliance should never be left unattached when plugged in. Always unplug this sewing machine from the electric outlet immediately after using and before cleaning.
2. Always unplug before replacing a sewing machine bulb. Replace bulb with same type rated 15 Watts.

**WARNING**---To reduce the risk of burns, fire, electric shock or injury to persons:

1. Do not allow to be used as a toy. Close attention is necessary when using this sewing machine by or near children.
2. Use this appliance only for its intended use as described in this owner's manual. Use only attachments recommended by the manufacturer as contained in this owner's manual.
3. Never operate this sewing machine if it has a damaged cord or plug, if it is not working properly, if it has been dropped or damaged, or dropped into water. Return this sewing machine to the nearest service center for examination, repair, electrical or mechanical adjustment.
4. Never operate the appliance with any air opening blocked. Keep ventilation openings of this sewing machine and foot controller free from accumulation of lint, dust and loose cloth.
5. Never drop or insert any object into any opening.
6. Do not use outdoors.
7. Do not operate where aerosol (spray) products are being used or where oxygen is being administered.
8. To disconnect, turn all controls to the off ( "O" ) position, then remove plug from outlet.
9. Do not unplug by pulling on cord. To unplug, grasp the plug, not the cord.
10. Keep fingers away from all moving parts. Special care is required around the sewing machine needle.
11. Always use the proper needle plate. The wrong plate can cause the needle to break.
12. Do not use bent needles.
13. Do not pull or push fabric while stitching. It may deflect the needle causing it to break.
14. Switch this sewing machine off ("O") when making any adjustment in the needle area, such as threading the needle, changing the needle, threading the bobbin, changing the presser foot, and the like.
15. Always unplug this sewing machine from the electrical outlet when removing covers, lubricating, or when making any other adjustments mentioned in this owner's manual.

## SAVE THESE INSTRUCTIONS

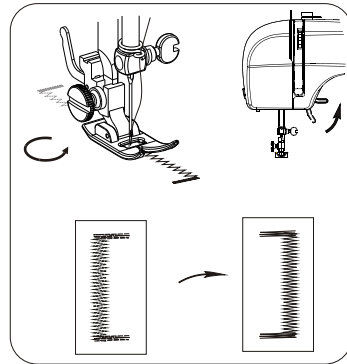
NOTE: Sewing machine design and specifications are subject to change without prior notice

<b>Item</b>	<b>Specification</b>
Sewing speed (Maximum):	Over 350 s.p.m
Stitch length:	3.5 mm (Maximum)
Stitch width:	6.5 mm (Maximum)
Stitch package (Stitch function):	60
(Built-in stitches):	12
Machine dimensions:	345 (L) × 275 (W) × 157 (H) mm
Weight (Net):	2.9 kg

**TROUBLESHOOTING**

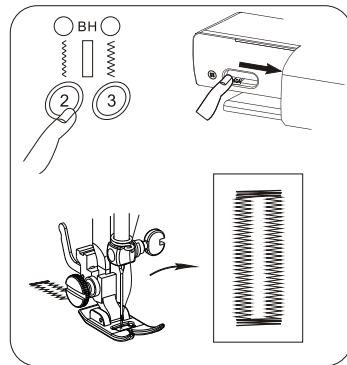
<b>Problem</b>	<b>Problem cause</b>	<b>Amendment</b>
No power or the machine runs slowly	·Adaptor power inadequate	·Use compatible adaptor
Skipping stitches	·Needle eye not in the middle	·Remove and re-insert the needle with the flat side of the needle to the back
	·Needle bent	·Remove and re-insert a new needle
	·Presser foot too loose	·Tighten the presser foot
Bobbin thread cannot be drawn up	·Lower thread has been used up	·Replace with new full bobbin
	·Needle threaded incorrectly	·Re-thread the needle, making sure it is threaded from the front to the back
Thread keeps breaking	·Needle bent	·Remove and re-insert a new needle
	·Needle shank not properly seated	·Remove and re-insert a new needle
	·Thread tension dial, thread guide or threadpulling bar too tight	·Loosen the thread tension between 3-5 number
Stitches too loose or uneven	·Thread blocked by upper bobbin	·Pull out the spool pin and make the bobbin or thread run smoothly
	·Upper thread too loose	
Needle breaks	·Needle bent or deformed	·Remove and re-insert a new needle

8. Raise the presser foot, turn the cloth head back( because cloth is sewed forward, if you want to sew buttonhole, you need to turn the direction of sewing.)



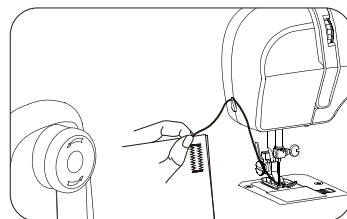
9. Choose stitch 2 and stitch adjusting E, push dialing button to the right to make presser foot can feed cloth. ( same as 4<sup>th</sup> procedure)

10. Turn on switch and sew till buttonhole is oversewed fully, then stop sewing.



11. Raise presser foot, turn the handwheel with one hand, pull the cloth lightly with another hand.

12. After pulling the cloth, cut the thread with thread cutter on the machine.



**Notice:**

When you push dialing button, you must turn the handwheel into 1-2 circles.

**SECTION I . NAME OF PARTS**

Name of Parts.....1

Accessories.....2

**SECTION II . GETTING READY TO SEW**

Connecting Machine to Power Supply.....3

Before Using Your Sewing Machine.....3

For Your Safety.....3

Presser Foot Lifter.....4

Thread Cutter.....4

Extension Table.....4

•Detaching the table.....4

•Attaching the table.....4

•Accessory box.....4

Changing Needle.....5

To Remove and Attach the Foot Holder.....6

•To remove.....6

•To attach.....6

Changing Presser foot.....6

•To remove.....6

•To attach.....6

Bobbin winding.....7

•Horizontal spool pin.....7

•Bobbin winding.....7、 8

•Removing the hock cover plate.....9

•Insert the bobbin.....9

Thread the machine.....10

•Needle thread.....11

•Drawing up bobbin thread.....11

Adjusting the Needle Thread Tension for a Straight Stitch.....12

•Correct tension.....12

•Tension is too tight.....12

•Tension is too loose.....12

Adjusting the Needle Thread Tension for a Zigzag Stitch.....13

•Correct tension.....13

•Tension is too tight.....13

•Tension is too loose.....13

Stitch Selector.....14

**SECTION III. SEWING**

Stitch.....15

•Starting to sew.....15

•Finishing sewing.....15

Stitch choosing button.....16

Button sewing.....17

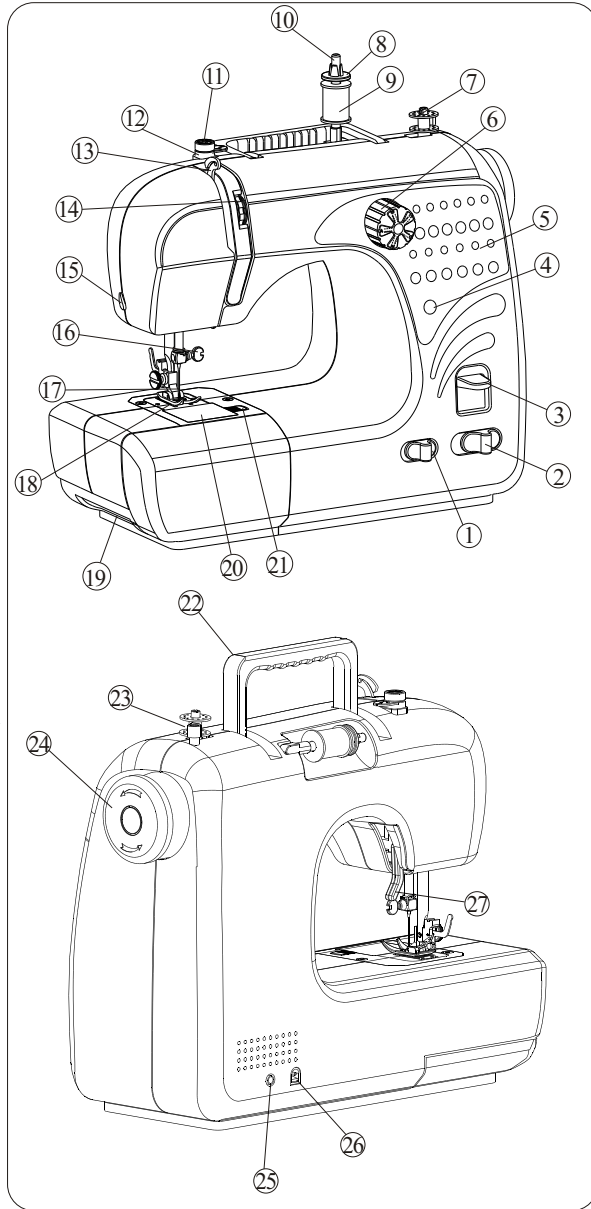
Manual buttonhole.....18、 19

**SECTION IV . CARE OF YOUR MACHINE**

Troubleshooting.....20

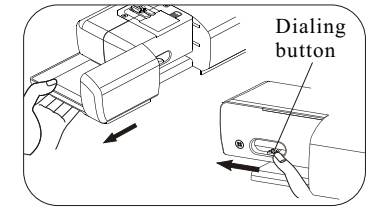
**NAME OF PARTS**

- ① Stitch choosing button
- ② Power switch & speed adjusting button
- ③ Reverse stitch control
- ④ Reset
- ⑤ Stitch panel
- ⑥ Thread tension lever
- ⑦ Thread winding bobbin
- ⑧ Thread pressing circle
- ⑨ Bobbin thread
- ⑩ Spool pin
- ⑪ Thread clamp
- ⑫ Bracket of thread clamp
- ⑬ Thread take-up lever
- ⑭ Thread tension dial
- ⑮ Thread cutter
- ⑯ Needle clamp screw
- ⑰ Needle
- ⑱ Presser foot
- ⑲ Drawer
- ⑳ Hook cover plate
- ㉑ Hook cover release button
- ㉒ Handle
- ㉓ Bobbin winder spindle
- ㉔ Handwheel
- ㉕ Foot pedal jack
- ㉖ Power jack
- ㉗ Presser foot lifter

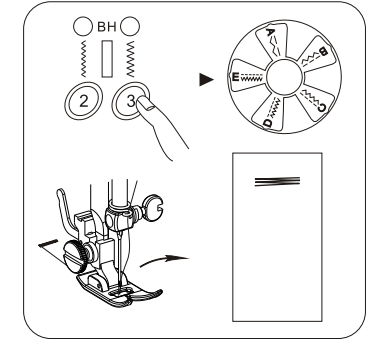


**Manual Buttonhole**

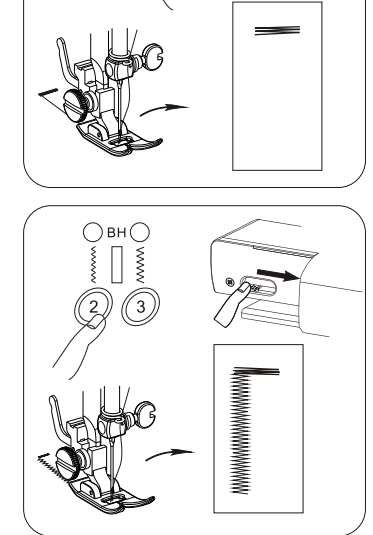
1. Pull out the drawer on your left side and push dialing button to the left so that presser foot is not in cloth feed status.



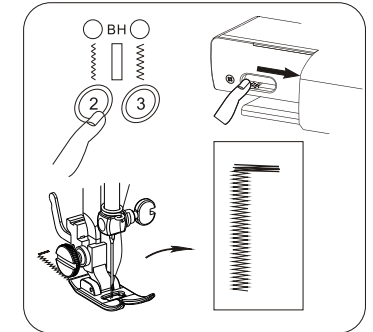
2. Put cloth under presser foot and press down the presser foot on the cloth where you need to sew buttonhole, then choose stitch and stitch adjusting E.



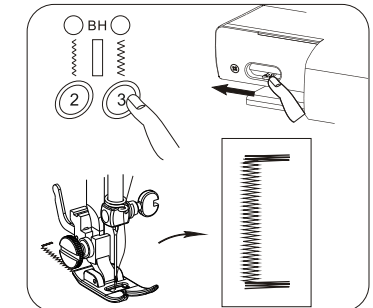
3. Turn on switch and sew 3-4 stitch in low speed, then turn off switch.



4. Choose stitch 2 and keep stitch adjusting in E place, push the dialing button to the right side to make presser foot in cloth feed status.



5. Turn on switch and sew on the cloth in suitable length, then turn off switch. Note that try to keep sewed stitch in straight line.



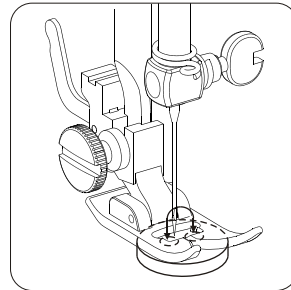
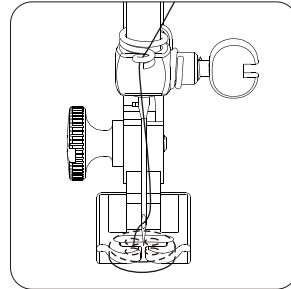
6. Choose stitch 3 and stitch adjusting E, push dialing button back to the left so that presser foot is not in cloth feed status.

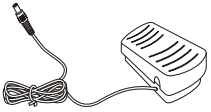
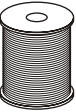

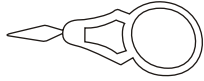

7. Turn on switch and sew 3-4 stitch in low speed, then turn off switch.

**Button Sewing**

①Stitch selector: 2 to 3

1. Draw the accessory table and you will see an adjusting button for button sewing. Push the button to the left, thus, machine is in the state of button sewing. Place the button you want to sew below the zigzag foot, making sure to align the holes with the horizontal slot in the foot. Lower the presser foot to hold the button in place.
2. Determine which stitch width setting matches the distance between the button holes. The needle must go safely through each hole when sewing. Unthread the needle to help you determine the zigzag width.
3. Thread the needle. Turn the handwheel, so that the needle is in its leftmost position, and then drop the needle through the left button hole.
4. Press the foot control and sew about 10 stitches.
5. Sew the other row of holes ( if applicable) using the steps above. Trim excess threads from both sides of the fabric.

**Accessories**

Foot pedal	×1	
Thread spool	×2	
Bobbin	×2	
Needle threader	×1	
Needle	×1	

**Connecting Machine to Power Supply**

- ① Power supply plug
- ② Outlet
- ③ Machine socket
- ④ Machine plug
- ⑤ Power switch

1. Turn off the power switch ⑤.
2. Insert the machine plug ④
3. Insert the power supply plug ① into the outlet ②.
4. Turn the power switch ⑤ to the left or right to turn on the power.

**Before Using Your Sewing Machine**

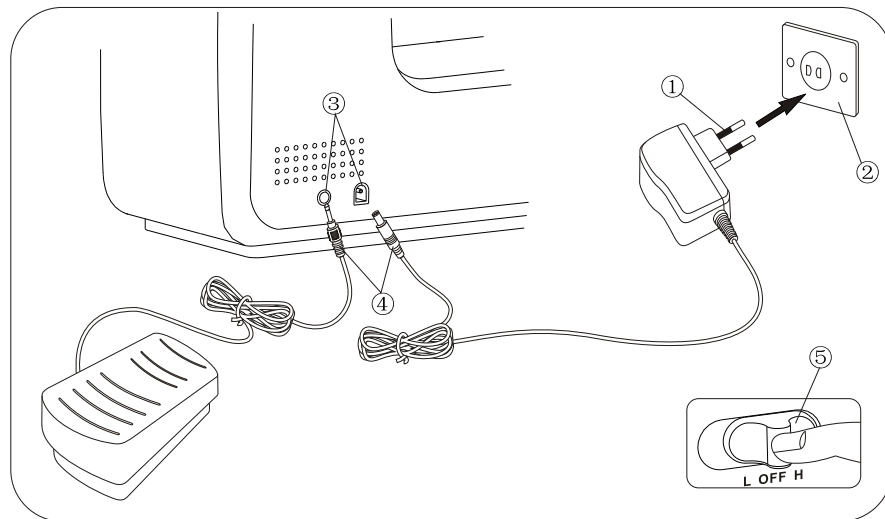
Before using your sewing machine for the first time, place a waste fabric under the presser foot and run the machine with thread for a few minutes. Wipe away any oil which may appear.

**For Your Safety**

While in operation, always keep your eyes on the sewing area. Do not touch any moving parts such as the thread take-up lever, handwheel or needle. Always turn off the power switch and unplug from the power supply:

- When leaving the machine unattended.
- When attaching or removing any parts.
- When cleaning the machine.

Do not place anything on the foot control, when not sewing.

**Stitch choosing button**

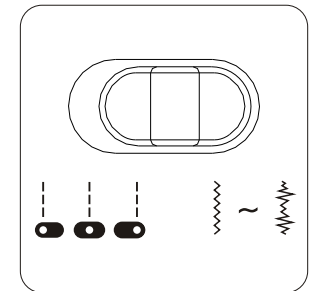
- ① Sewing straight stitch
- ② Sewing other stitches

- (1) When you push button to the right, green indicator of stitch pattern is on default stitch 1. All stitches can be chosen as you like by pressing stitch pattern button.
- (2) When you push button to the left, straight stitch is chosen. Moreover, there are three needle positions.

- ① Left position
- ② Middle position
- ③ Right position

- (3) Needle position adjusting. If you need another needle position to sew fabric with a straight stitch, draw fabric and needle thread out, push button to the right and choose stitches other than straight stitch, then needle position is changed as you like. Stitches can be adjusted into different needle positions below.

- ① Left & right needle positions: 3 to 6
- ② Middle position: 2
- ③ Three needle positions: 7 to 12





**Stitch**

- ① Straight stitch: 1
- ② Zigzag stitch: 2 to 12

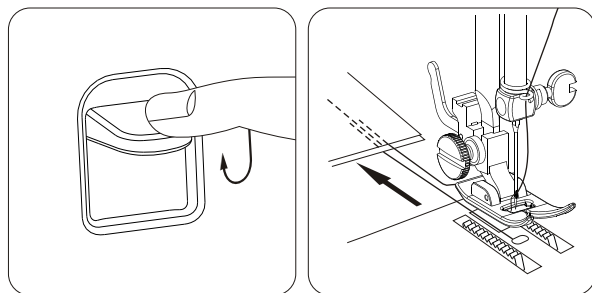
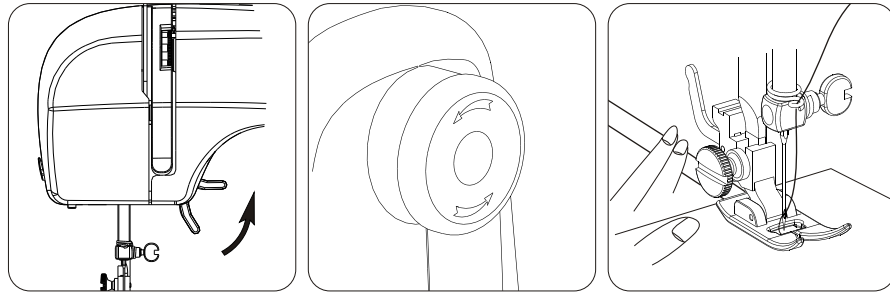
**•Starting to sew**

Raise the presser foot and position the fabric on the needle plate. Turn the handwheel and lower the needle to the point where you want to start. Lower the presser foot and pull the threads toward the back. Depress the foot control. Gently guide the fabric along a seam guide line letting the fabric feed naturally.

**CAUTION:** Do not place fingers near the presser foot when guiding fabric, or the needle clamp screw may strike and injure your fingers.

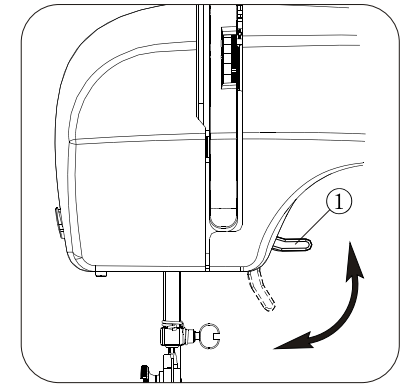
**•Finishing sewing**

To fasten the ends of a seam, press the reverse stitch control and sew several reverse stitches. Raise the presser foot. Remove the fabric, draw the threads to the back and cut them with the thread cutter. The threads are now the proper length to begin sewing the next seam.

**Presser Foot Lifter**

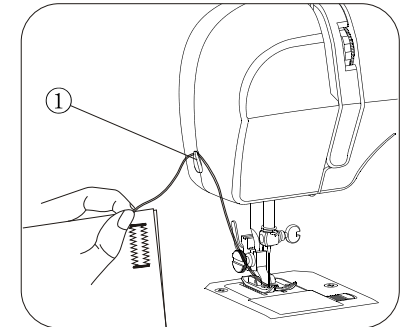
- ① Presser foot lifter

The presser foot lifter raises and lowers the presser foot.

**Thread Cutter**

- ① Thread cutter

You do not need a pair of scissors to cut the thread after sewing. Simply use the built-in thread cutter.

**Extension Table****•Detaching the table**

Pull the table away from the machine for “free-arm” sewing of cuffs and sleeves.

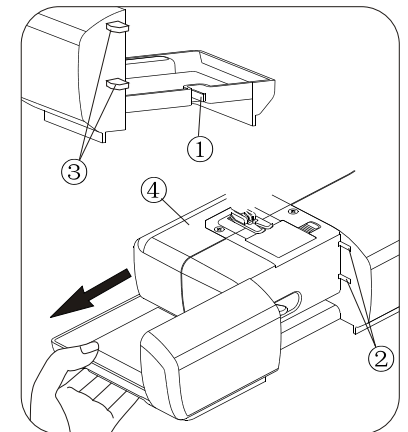
**•Attaching the table**

Push the extension table until it snaps into the machine.

- ① Pin
- ② Holes
- ③ Tab
- ④ Free-arm

**•Accessory box**

Open the cover of the accessory box toward you. The sewing accessories are conveniently located in the box.



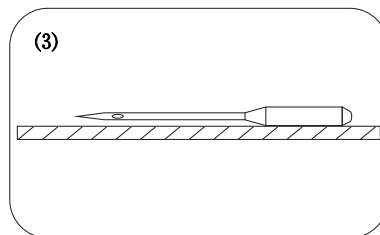
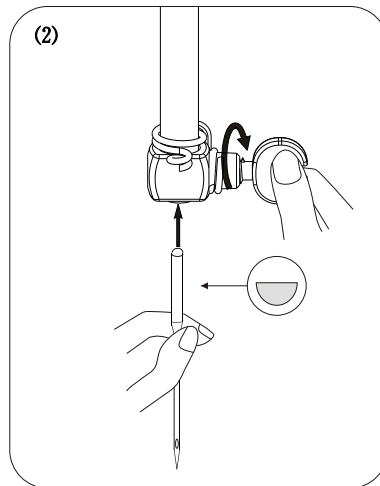
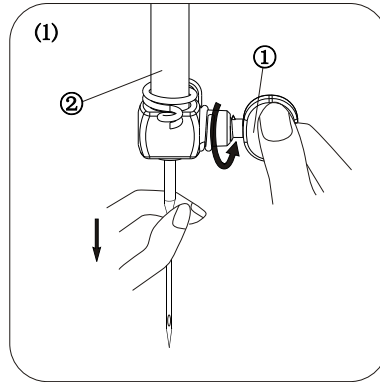
**Changing Needle**

- ① Needle clamp screw  
② Needle clamp

(1) Turn off the power switch. Raise the needle to its highest position by turning the handwheel counterclockwise, toward you, and lowering the presser foot. Loosen the needle clamp screw ① by turning it counterclockwise. Remove the needle from the needle clamp ②.

(2) Insert a new needle into the needle clamp ② with the flatside to the rear. When inserting the needle into the needle clamp ②, push it up as far as it goes. Tighten the needle clamp screw ① firmly by turning it clockwise.

(3) To see if the needle is good, place the flat side of the needle onto something flat (needle plate, glass, etc.). The gap between the needle and the flat surface should be consistent. Never use a bent or blunt needle. A damaged needle can cause permanent snags or runs in knits, fine silks and silk-like fabrics.

**Stitch Selector (how to select stitches)**

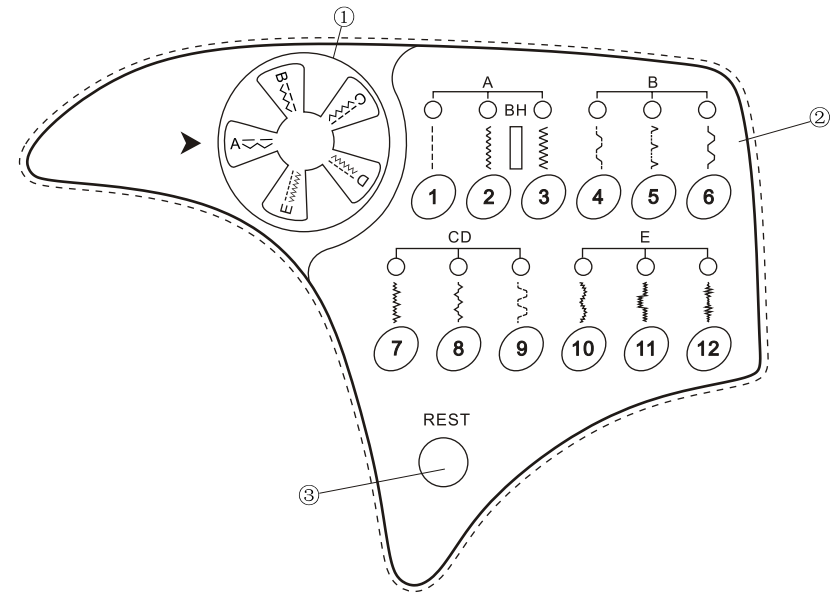
- ① Sewing guide display  
② Stitch pattern in green indicator  
③ Reset key

Choose the stitch you need and press stitch pattern button, green indicator will show the desired stitch.

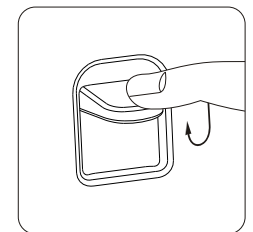
If you want to choose another stitch pattern, first press the reset key and green indicator returns to default stitch (stitch 1), then press your desired stitch pattern. Stitch width and stitch length can be changed by turning sewing guide display. Each stitch pattern can be adjusted into 5 different widths and lengths.

**NOTE:**

To avoid needle or fabric damage, make sure the needle is up and out of the fabric while selecting a stitch.

**Reverse Stitch Control**

Press the stitch control to sew in reverse.

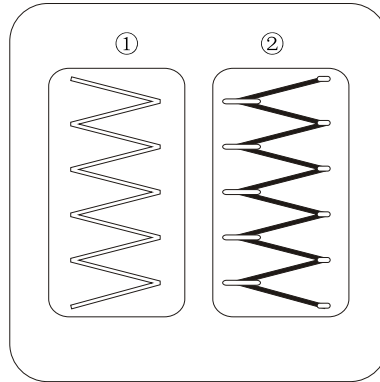


### Adjust the Needle Thread Tension for a Zigzag Stitch

For an ideal zigzag stitch, the bobbin thread does not show on the right side (Top side) of the fabric, and the needle thread shows slightly on the wrong side (Bottom side) of the fabric. See the illustrations for the correct appearance. To match this appearance, adjust the needle tension.

#### •Correct tension

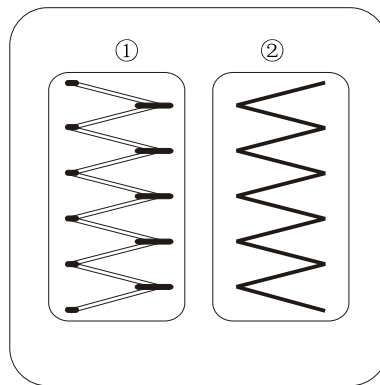
- ① Right side (Top side) of fabric
- ② Wrong side (Bottom side) of fabric



Minimize the amount of needle thread visible on the wrong side (Bottom side) of the fabric without causing excessive puckering, or causing the bobbin thread to show on the right side (Top side) of the fabric. Results vary with fabric, thread and sewing conditions.

#### •Tension is too tight

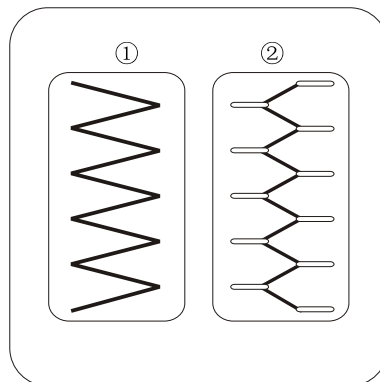
- ① Right side (Top side) of fabric
- ② Wrong side (Bottom side) of fabric



The corner of each zigzag pulls together on the right side of the fabric.

#### •Tension is too loose

- ① Right side (Top side) of fabric
- ② Wrong side (Bottom side) of fabric



The corner of each zigzag pulls together on the wrong side of the fabric.

### To Remove and Attach the Foot Holder

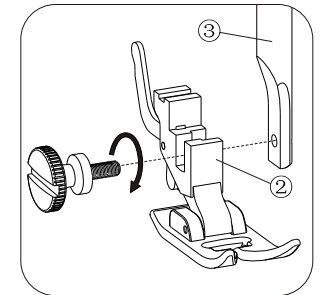
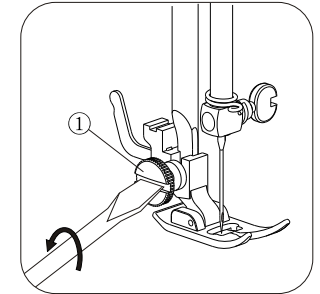
- ① Thumb screw
- ② Foot holder
- ③ Presser foot lifter

#### •To remove

Remove the thumbscrew ① by turning it counterclockwise with a screwdriver.

#### •To attach

Match the hole in the foot holder ② with the threaded hole in the presser foot lifter. Fit the thumb screw ① into the hole. Tighten the screw ① by turning it clockwise with a screwdriver.



### Changing Presser Foot

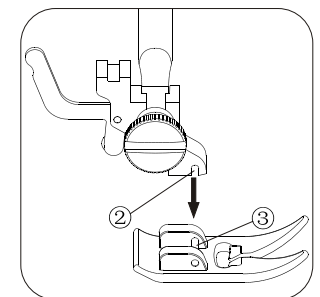
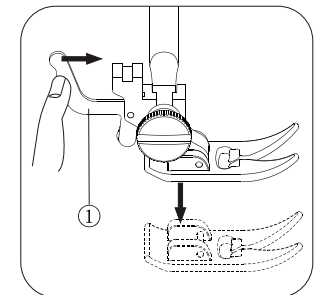
- ① Snap-on button
- ② Groove
- ③ Pin

#### •To remove

Raise the needle to its highest position by turning the handwheel counterclockwise. Raise the presser foot, and press the snap-on button ① on the back of the foot holder.

#### •To attach

Place the selected presser foot, so that the pin ③ on the foot lies just under the groove ② on the foot holder. Lower the presser bar to lock the foot into place.

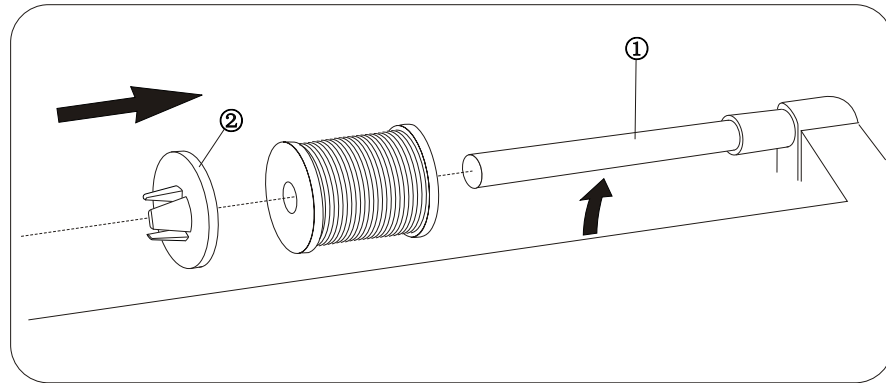


**Bobbin Winding**

•Horizontal spool pin

- ① Spool pin
- ② Spool holder

Lift up the spool pin ①. Place a spool of thread on the spool pin with the thread coming off the spool as shown. Attach the spool holder ②, and press it firmly against the spool of thread.

**•Bobbin winding**

(1) Draw the thread from the spool

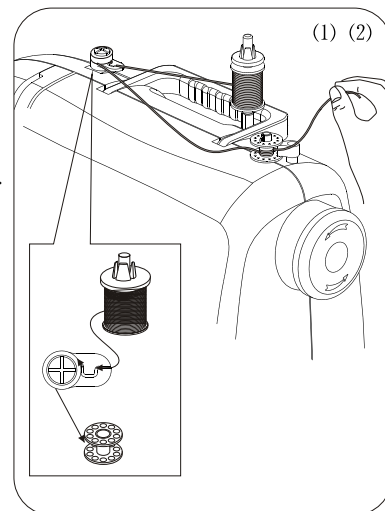
(2) Guide the thread around the thread guide.

① For the horizontal spool pin

(3) Put the bobbin on the bobbin winder spindle.

(4) Push the bobbin to the right.

(5) With the free end of the thread held in your hand, turn on switch or depress the foot control. Bobbin will make turns and wind thread. Touch bobbin winder stopper tightly, it stops automatically.

**Adjust the Needle Thread Tension for a Straight Stitch**

•Correct tension

- ① Needle thread (Top thread)
- ② Bobbin thread (Bobbin thread)
- ③ To loosen
- ④ To tighten

The ideal straight stitch has threads locked between two layers of fabric, as illustrated (magnified to show detail). If you look at the top and bottom of a seam, notice that the stitches are evenly balanced.

When adjusting the needle thread tension, the higher the number, the tighter the top thread tension.

Results depend on:

- stiffness and thickness of the fabric
- number of fabric layers
- type of stitch

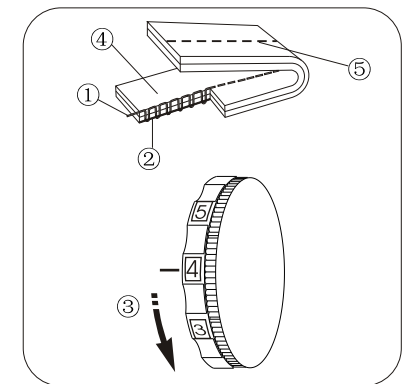
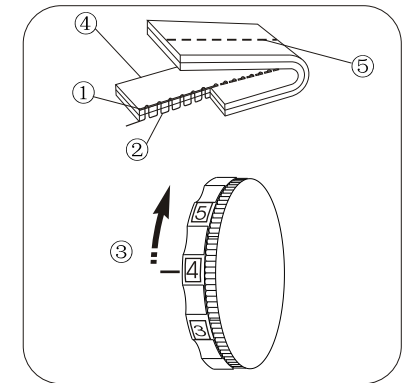
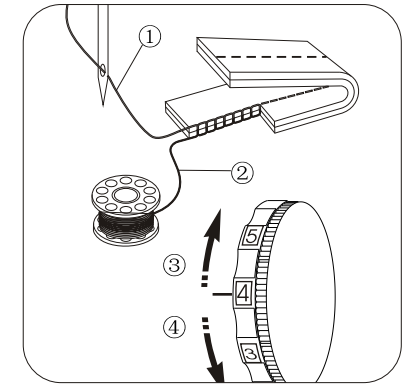
•Tension is too tight

- ① Needle thread (Top thread)
- ② Bobbin thread (Bottom thread)
- ③ To loosen tension
- ④ Right side (Top side) of fabric
- ⑤ Wrong side (Bottom side) of fabric

The bobbin thread shows through on the wrong side of the fabric, and the stitch feels bumpy. Turn the dial to a lower tension setting number to loosen the needle thread tension.

•Tension is too loose

- ① Needle thread (Top thread)
- ② Bobbin thread (Bottom thread)
- ③ To tighten tension
- ④ Right side (Top side) of fabric
- ⑤ Wrong side (Bottom side) of fabric

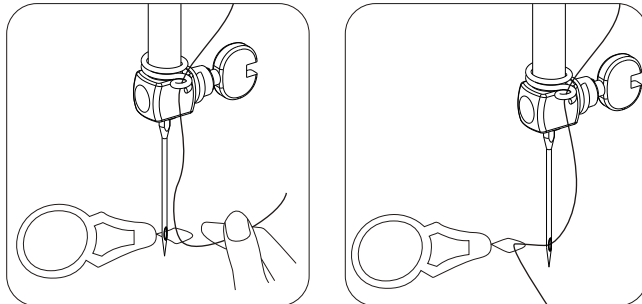


- Needle threader
- ①Needle threader
- ②Ring
- ③Needle eye
- ④Thread end

- (1) Raise the needle to its highest position. Paying attention to the needle point, put ring of needle threader to go through needle eye.
- (2) Draw thread into ring and pulling ring back from needle eye. Release the needle threader and the thread has been threaded through needle eye.

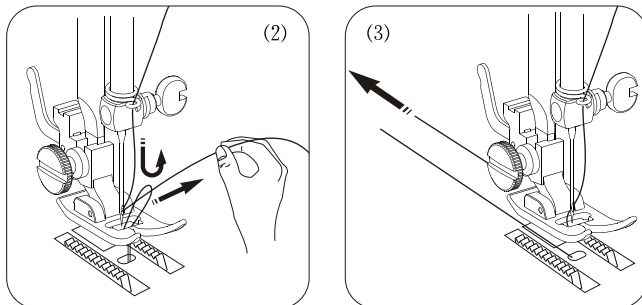
**NOTE:**

**Thread length leaves for 5-10 cm is recommended when sewing.**

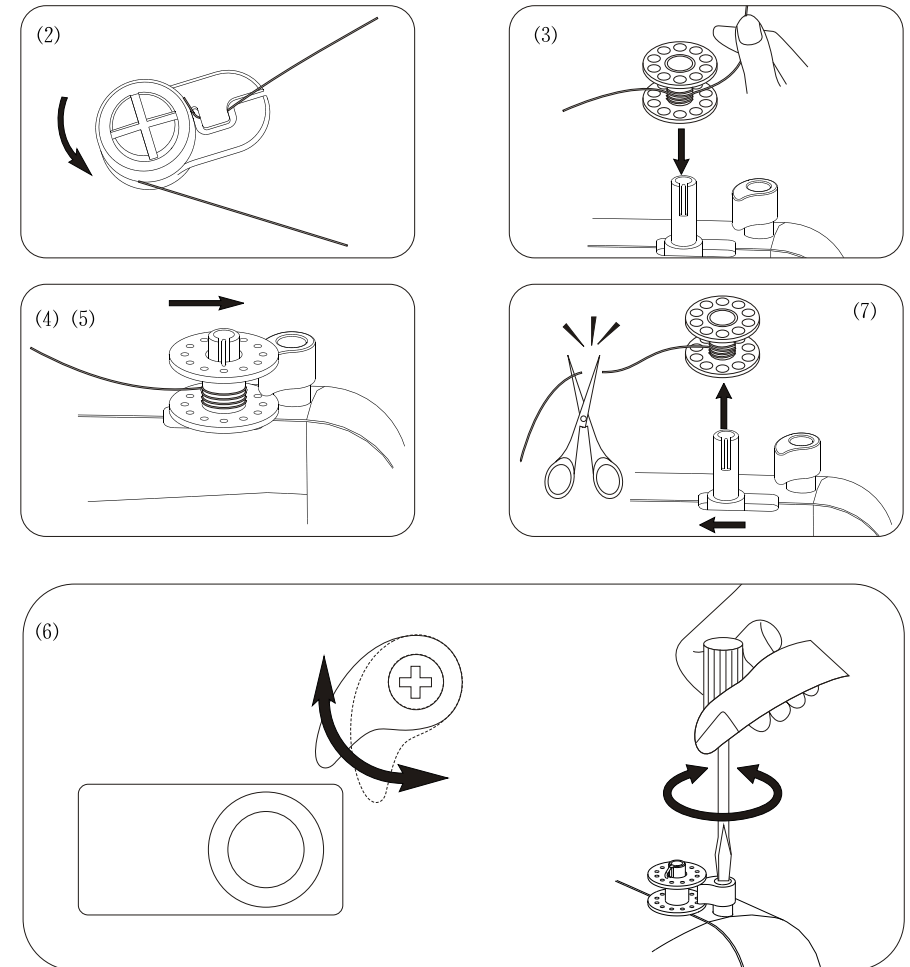


**•Drawing up bobbin thread**

- (1) Raise the presser foot. Hold the needle thread lightly with your left hand and rotate the handwheel counterclockwise for one complete turn.
- (2) Bring the bobbin thread up by pulling the needle thread up.
- (3) Pull both threads 10 to 15 cm under and behind the presser foot.

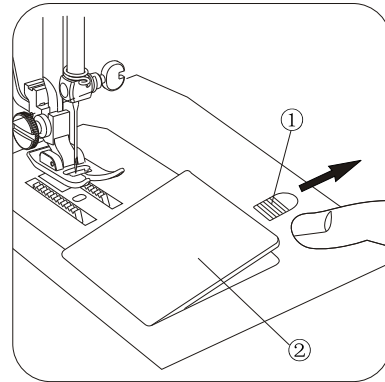


- (6)The position of the bobbin winder stopper is adjustable depending on the required amount of thread on the bobbin. Using a screwdriver, loosen the screw one turn or less ,so that you can adjust the position of the bobbin winder stopper. Do not take the screw all the way out. Retighten the screw to fix the stopper at the desired position.
- (7) When the bobbin is wound, turn off switch. Return the bobbin winder to its original position by moving the spindle to left, and cut the thread as shown.
- (8)The machine will not sew until the clutch is engaged.



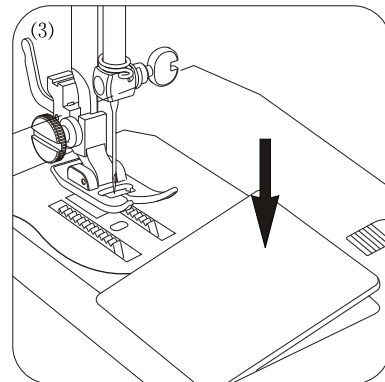
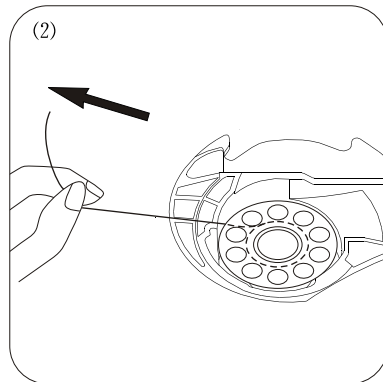
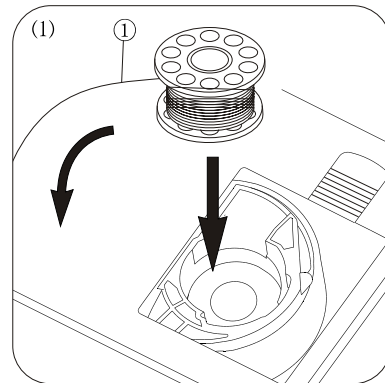
- Removing the hook cover plate
- ①Hook cover plate release button
- ②Hook cover plate

Slide the hook cover plate release button ① to the right, and remove the cover plate ②



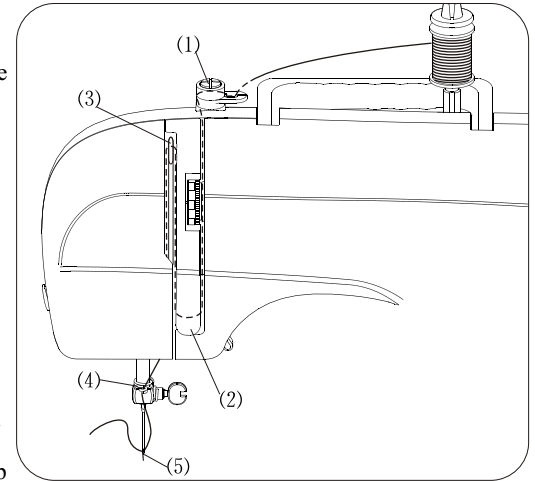
- Inserting the bobbin
- ①End of thread
- ②Notch
- ③Notch

- (1) Place a bobbin in the bobbin holder with the thread running off counterclockwise.
- (2) Draw the thread to the left, Pull out about 15.0 cm of thread.
- (3) Attach the hook cover plate.



**Threading the machine**

- Raise the thread take-up lever to its highest position by turning the handwheel counterclockwise.
- Raise the presser foot lifter.
- Place a spool on the spool pin, with the thread coming off as shown.



- (1) Draw the end of the thread around the upper thread guide.
- (2) While holding the thread near the spool, draw the end of the thread down around the check spring holder.
- (3) Firmly draw the thread up from right to left over the take-up lever, and down into the take-up lever eye.
- (4) Slide the thread behind the needle bar thread guide on the left.
- (5) Thread the needle from front to back, or use a needle threader.

