

Why is the thread looping/bunching under my fabric?

Thread looping under your fabric is usually caused by not threading the upper tension correctly. With the presser foot lever in the UP position and tension set at 4, follow the threading guides/graphics on the top of the machine.

1. Place the thread spool on the spool pin and secure with a thread spool cap.
2. While holding the thread with your right hand, use your left hand to take the thread and take the thread and follow the thread path by bringing the thread down into the tension channel around the bottom and up the other side. Continue to thread the machine, but do not thread the needle.

Before threading the needle, perform this easy test to make sure the upper thread is threaded correctly. Making sure the presser foot is raised, pull the thread. It should pull easily. Now lower the presser foot, the thread should now resist when you pull it. There should be a significant increase in the tension of the thread. If there is no increased tension, the machine is not threaded correctly.

Why is my machine skipping stitches?

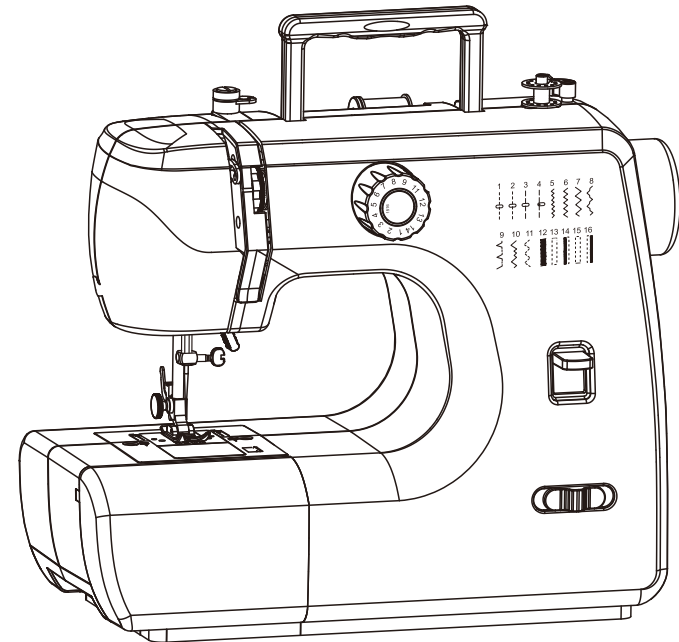
Skipped stitches can occur if needles are damaged or dull, or if they are incorrectly inserted into the machine.

First, your needle may be dull or damaged and need to be replaced. You should also check that you are using the correct needle for the type of fabric you are sewing. Refer to the Needle/Fabric/Thread/Guide on page 11 of this manual.

Next, check that the needle is installed correctly. The needle needs to be pushed as far up the needle shaft as possible. (It's easy to insert the needle halfway, clamp it down and think it is installed correctly.) Also, the flat part of the needle should be positioned towards the back. If the needle is not installed correctly, it will not be able to pull up the bobbin thread and will cause skipped stitches.

Multifunctional Domestic Sewing Machine

Instruction Manual



SS 700+

- Please read the Instruction Manual carefully before operating the sewing machine.
- Please save this manual in a safe place.
- The machine is for household use only.

MODEL NO.: SS 700+ Instruction Manual

INTRODUCTION

Congratulations on the purchase of your SS 700+ sewing machine. We recommend that before you start to use your machine, you take time to review this instruction book, seated at the machine. You will discover that this machine is not only easy to use, but it offers many features designed to make your sewing experience enjoyable.

IMPORTANT SAFETY INSTRUCTIONS

This machine is intended for household use only. Read all instructions before using this machine.

When using an electrical appliance, basic safety should always be followed in order to reduce the risk of burns, fire, electric shock or injury to persons, including the following:

DANGER – To reduce the risk of electric shock, or injury to persons:

1. The machine should never be left unattended when plugged in.
2. Always unplug the machine from the electrical outlet immediately after using and before cleaning.

WARNING – To reduce the risk of burns, fire, electric shock, or injury to persons:

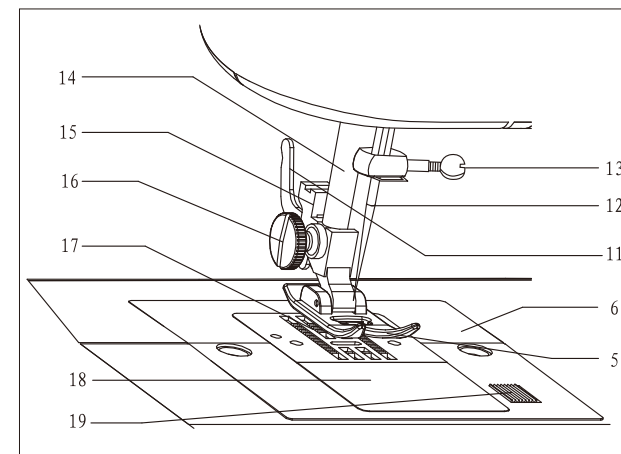
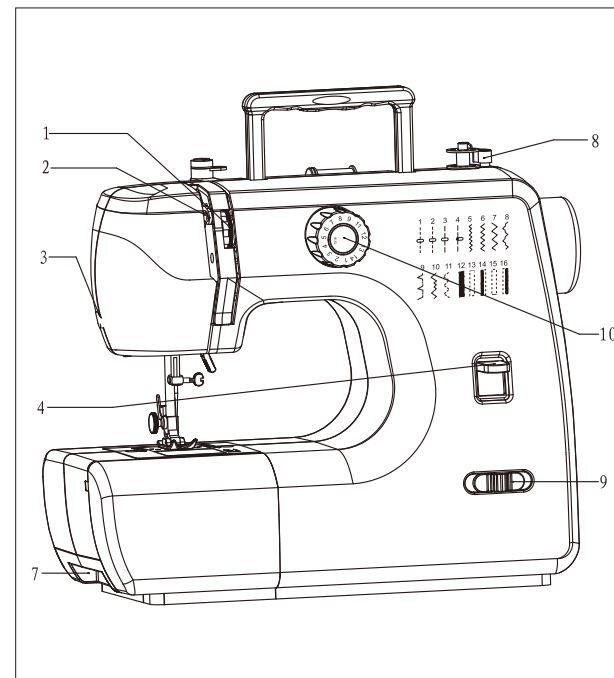
1. Always unplug before re-lamping. Replace bulb with the same type rated 0.6W and Voltage $\leq 3.2V$.
2. Do not allow to be used as a toy. Close supervision is necessary when the machine is used by or near children.
3. Use this machine only for its intended use, as described in this manual. Use only attachments recommended by the manufacturer as contained in this manual.
4. Never operate this machine if it has a damaged cord or plug, if it is not working properly, if it has been dropped or damaged, or dropped into water. Return the machine to the nearest authorized retailer or service center for examination, repair, or electrical or mechanical adjustment.
5. Never operate the machine with any air openings blocked. Keep ventilation openings of the sewing machine and foot controller free from accumulation of lint, dust and loose fabrics.
6. Keep fingers away from all moving parts. Special care is required around the sewing machine needle.
7. Always use the proper needle plate. The wrong plate can cause the needle to break.
8. Do not use bent needles.
9. Do not pull or push the fabric while stitching, as this may deflect the needle, causing it to break.
10. Switch the sewing machine off when making any adjustments in the needle area, such as threading the needle, changing the needle, threading the bobbin, changing the presser foot, etc.
11. Always unplug the sewing machine from the electrical outlet when removing covers, lubrication, or when making any other user servicing adjustments mentioned in the instruction manual.
12. Never drop or insert any object into any opening.
13. Do not use outdoors.
14. Do not operate where aerosol spray products are being used or where oxygen is being administered.
15. To disconnect, turn all controls to the off position, then remove the plug from the electrical outlet.
16. Do not unplug by pulling on the cord. To unplug, grasp the plug, not the cord.

17. The sound pressure level under normal operation conditions is $\leq 72db$.
18. Turn off or unplug the machine when it is not operating properly.
19. Never place anything on the foot controller.
20. If the power supply cord is damaged, it must be replaced by the manufacturer or its service agent or similarly qualified person in order to avoid a hazard.
21. This machine is not intended for use by persons (including children) with reduced physical, sensory or mental capabilities or lack of experience and knowledge, unless they have been given supervision or instruction concerning the use of the appliance by a person responsible for their safety. Children should be supervised to ensure that they do not play with the appliance.

Principal Parts of the Machine..... 4
 Principal Parts and What They Do..... 6
 Accessories..... 8
 Removing / Installing Extension Bed..... 9
 Connecting Machine to Power Source..... 10
 Needle / Fabric / Thread Guide..... 11
 Inserting / Changing Needles..... 12
 Presser Foot Lifter..... 12
 Removing / Attaching the Presser Foot..... 13
 Winding the Bobbin..... 14
 Inserting the Bobbin..... 15
 Threading the Upper Thread..... 15
 Raising the Bobbin Thread..... 17
 Choosing a Stitch Pattern..... 18
 Straight Stitching..... 18
 Thread Tension..... 19
 Reverse Sewing/Cutting the Thread..... 20
 Zig-Zag Stitching..... 21
 Multi Zig-Zag Stitching..... 23
 Darning Plate..... 24
 Changing the Bulb..... 25
 Maintenance..... 25
 Troubleshooting..... 26

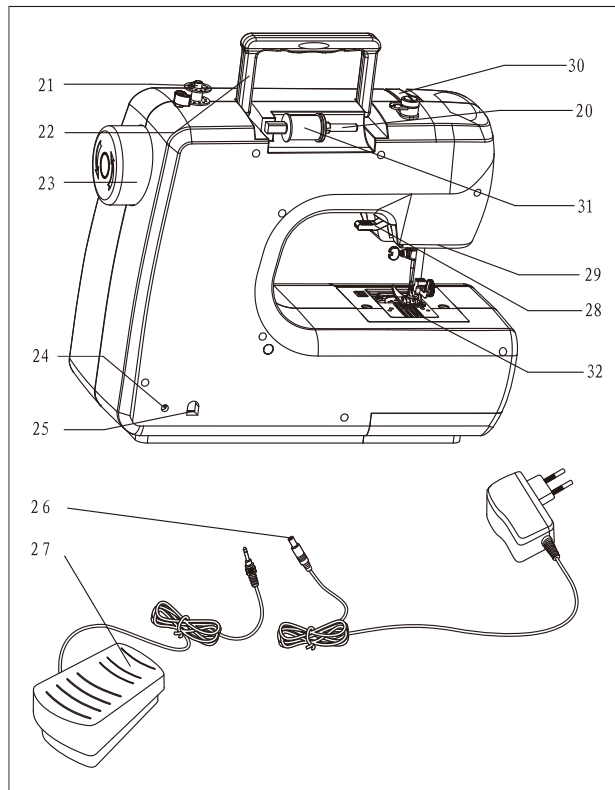
PRINCIPAL PARTS OF THE MACHINE (Machine Front View)

1. Thread tension dial
2. Thread take-up lever
3. Thread cutter
4. Reverse lever
5. Presser foot
6. Needle plate
7. Removable extension bed
8. Bobbin winding stopper
9. Power on/off & speed control switch
10. Pattern selector dial
11. Presser foot release lever
12. Needle
13. Needle clamp & screw
14. Presser bar
15. Presser foot holder
16. Presser foot screw
17. Feed dogs
18. Bobbin cover plate
19. Bobbin cover release button








PRINCIPAL PARTS OF THE MACHINE (Machine Back View)

- 20. Spool pin
- 21. Bobbin winder
- 22. Carry handle
- 23. Hand wheel
- 24. Foot controller input
- 25. Power cord socket
- 26. Power cord
- 27. Foot controller
- 28. Presser foot lifter
- 29. Light switch & built-in sewing light
- 30. Faceplate
- 31. Thread spool
- 32. Bobbin



1. **Thread Tension Dial** lets you select just the right tension for your stitch, thread and fabric. Tension discs, inside the machine, regulate the amount of tension on the needle thread. The thread tension dial is numbered from 1 through 9. The lower the number, the looser the tension is on the needle thread. The higher the number, the tighter the tension is on the needle thread. The settings of 3, 4 and 5 are marked with a box around the number, indicating the settings at the range at which most of your sewing will be done.
2. **Thread Take-Up Lever** controls the flow of the needle thread. The self threading eyelet simplifies the threading of the take up lever.
3. **Thread Cutter** is built-in at the side of the machine for convenience. Use this to trim thread tails quickly and easily when completing a seam.
4. **Reverse Lever** instantly reverses the stitching direction. Simply press the lever all the way down and hold in place. Release it to resume sewing forward.
5. **Presser Foot** holds the fabric against the feed dogs. Use the presser foot lifter to lower the presser foot to sew or to raise the presser foot to remove fabric.
6. **Needle Plate** is located under the presser foot area, around the feed dogs. It provides a flat surface for the fabric while sewing.
7. **Removable Extension Bed** provides a larger surface around the arm of the machine to support fabric while sewing. It can be removed to access the free arm, making it possible to sew smaller, more hard-to-reach areas such as pant or sleeve hems. It has a storage compartment for the machine's accessories, keeping them at your fingertips.
8. **Bobbin Winding Stopper** is used in the process of winding the bobbin.
9. **Power On/Off & Speed Control Switch** is used to turn the machine on and off. There is an "L" setting for lower speed, and an "H" setting for higher speed.
10. **Pattern Selector Dial** is used to set the machine for the stitch you want to sew. It is numbered from 1 through 12, and the numbers correspond to the display near the top of the machine. Just turn the dial to the stitch you want and sew.
11. **Presser Foot Release Lever** is located at the back of the presser foot holder. Use this lever to remove the presser foot from the presser foot holder.
12. **Needle** is placed into the needle bar, and is required in order for the machine to sew.
13. **Needle Clamp & Screw** work together to hold the needle in place for sewing.
14. **Presser Bar** holds the presser foot and presser foot holder. It is raised and lowered using the presser foot lifter.
15. **Presser Foot Holder** is attached to the presser bar. It holds the presser foot in place for sewing.
16. **Presser Foot Screw** is located to the left of the presser foot holder. The screw is used to secure the presser foot holder in position on the presser bar.

17. **Feed Dogs** move the fabric under the presser foot.
18. **Bobbin Cover Plate** sits over the bobbin and bobbin case. It is transparent, making it easier to monitor the thread supply.
19. **Bobbin Cover Release Button** is located to the right of the bobbin cover plate. Press it to the right to release the cover when replacing the bobbin.
20. **Spool Pin** holds the thread spool. The spool pin holder fits onto the spool pin to allow thread to unwind without tug or drag. The spool pin can be used in either of two ways (horizontally or vertically), depending on the size of the thread spool being used.
21. **Bobbin Winder** is used for smoothly and evenly winding thread onto the bobbin.
22. **Carry Handle** is built-in, making it easy and convenient for transporting the machine.
23. **Hand Wheel** controls the movement of the take-up lever and the needle. Always turn the hand wheel toward you.
24. **Foot Controller Input** is located at the back of the machine. The foot controller cord must be plugged into this input before starting to sew.
25. **Power Cord Socket** at the back of the machine is where the power cord is inserted in order to provide power to the machine.
26. **Power Cord** has one end that connects into the power cord socket and another end that is connected to a main power supply.
27. **Foot Controller** is used to start the machine sewing. Step on the controller to begin sewing and remove your foot from the controller to stop sewing.
28. **Presser Foot Lifter** is located inside the "C" area of the machine. Use the lever to raise and lower the presser foot. The foot is raised before threading the machine and to remove work from the machine. Lower the presser foot lifter before beginning to sew.
29. **Light Switch & Built-in Sewing Light** are used to illuminate the sewing area.
30. **Faceplate** houses the take-up lever, sewing light, tension mechanism and more.
31. **Thread spool** is used to hold and direct the thread into the tension disks. There is a diagram at the top of the machine indicating where the thread slips into the guide.
32. **Bobbin case** holds the bobbin thread securely, providing adequate tension on the thread while sewing.

Foot pedal	× 1	
Thread spool	× 2	
Bobbin	× 2	
Needle threader	× 1	
Needle	× 1	

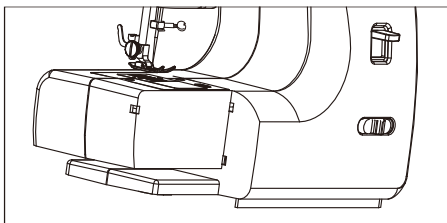
***IMPORTANT!**

Use only metal bobbins in this sewing machine. The tension on the bobbin thread is operated magnetically. Therefore, the metal bobbin is required. Using transparent or plastic bobbins, though they may seem to fit in the machine, will not allow the machine to function properly, and the stitch result will be unsatisfactory. Using metal bobbins will provide correct stitch results.

REMOVING / INSTALLING EXTENSION BED

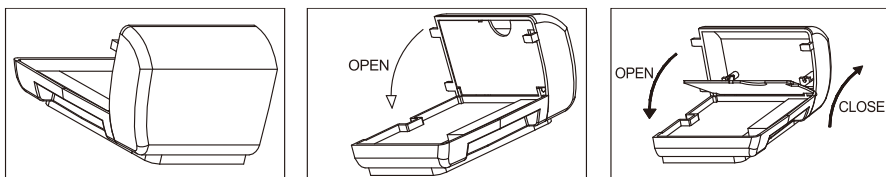
To remove the extension bed from the machine, hold it firmly and pull it toward the left.

Once removed, you will have access to the free arm. This allows you to sew pants or sleeve hems, as well as other hard-to-reach areas.

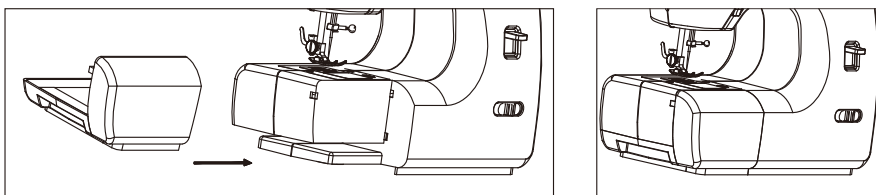


The inside of the removable extension bed can be used to store the machine's accessories.

To open the accessory storage compartment, flip the cover down, as shown.



To install the removable extension bed, hold it in your left hand and push it firmly toward the right. It is helpful to place your right hand at the right side of the machine to stabilize it as you push the extension bed in place.

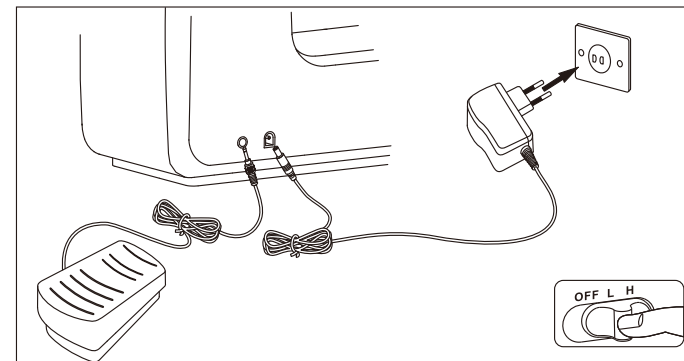


CONNECTING MACHINE TO POWER SOURCE

Connect the machine to a power source, as illustrated.

This machine is equipped with an electric plug that must be used with the appropriate power outlet.

Unplug the power cord when the machine is not in use.



Important!

For machines with a polarized plug (one blade is wider than the other), the plug is intended to fit in a polarized outlet only one way. If it does not fit fully into the outlet, reverse the plug. If it still does not fit, contact a qualified electrician to install the proper outlet. Do not modify the plug in any way.

To turn the machine on to sew, use the Power On/Off & Speed Control Switch.

Set it in the "L" position in order to sew at slower speeds, or set it at the "H" position in order to sew at higher speeds.

When the machine is threaded and ready to sew, lower the presser foot and step on the foot controller. The machine will sew according to where you have set the Power On/Off & Speed Control Switch.

NEEDLE / FABRIC / THREAD GUIDE

There are various styles of needles available for your machine, depending on the type of fabric you are sewing. Be sure to use the correct style and size of needle to achieve the best results for your sewing projects.

The most common needle styles are regular point and ball point. The most commonly used sizes are: 11/80, 14/90 and 16/100. The smaller the number is, the smaller the needle size is. The larger the number is, the larger the needle is. Use smaller size needles for lighter weight fabrics and larger size needle for heavier weight fabrics. The chart below offers some suggestions for matching thread type and needle type with various fabrics, for best results.

Regular point needles are designed for use with fabrics that are woven, such as cotton, linen, silk, denim or twill. The style number for this needle is 2020.

Ball point needles are designed for use with fabrics that are stretch knit, such as spandex, t-shirt knit or tricot. The style number for this needle is 2045.

Fabric	Thread	Needle Style	Needle Size
Lightweight: taffeta, organdy, batiste	All purpose thread; Silk thread	2020	11
Medium weight: linen, challis, chintz, cotton	All purpose thread; Silk thread	2020	14
Medium heavy: tweed, denim, corduroy	All purpose thread; Heavy duty cotton	2020	14 or 16
Knit: stretch woven, spandex, tricot	All purpose thread; Silk thread	2045	14

INSERTING / CHANGING NEEDLES

Change the needle regularly, especially if it is showing signs of wear or causing problems.

To insert a new needle, first turn the Power On/Off & Speed Control Switch to the "off" position. Loosen the needle clamp screw.

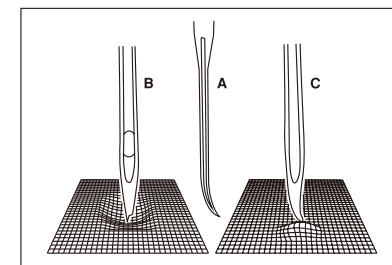
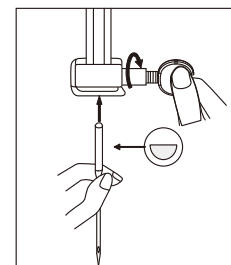
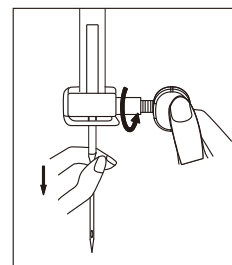
Remove the old needle and discard it.

Insert the new needle, with the flat side toward the back, as far up as it will go.

Tighten the needle clamp screw securely.

Needles must be in perfect condition.

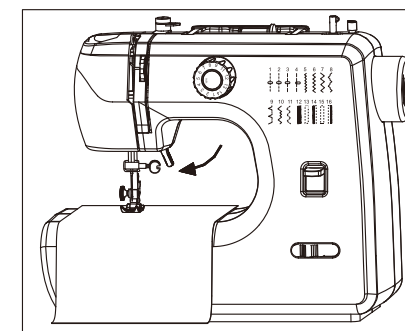
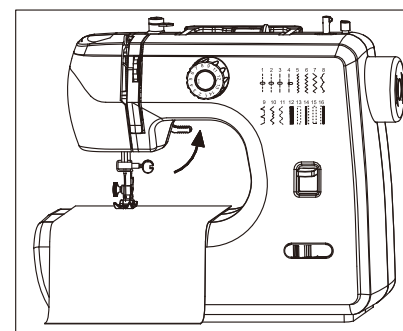
Problems can occur with: A. Bent needles B. Damaged points C. Blunt needles



PRESSER FOOT LIFTER

The Presser Foot Lifter is located inside the "C" area of the machine. Use this to raise and lower the presser foot.

Raise the Presser Foot Lifter before beginning to thread the machine, to ensure that the machine is properly threaded. Raise it also to remove work from the machine when sewing is finished. Lower the Presser Foot Lifter after setting fabric under the presser foot, to begin sewing.



REMOVING / ATTACHING THE PRESSER FOOT

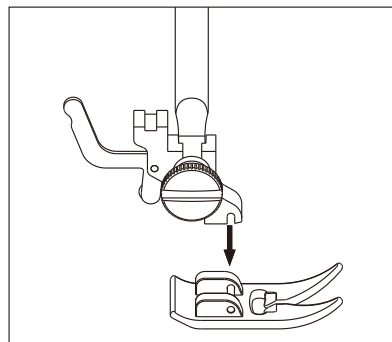
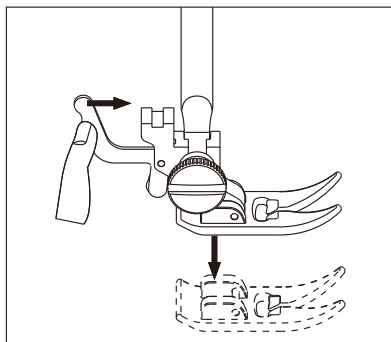
Turn the Power On/Off & Speed Control Switch to the "off" position and make sure the needle is in its highest position.

Removing the Presser Foot

Raise the Presser Bar by lifting the Presser Foot Lifter. Press the Presser Foot Lever, located in back of the Presser Foot Holder and the foot will disengage.

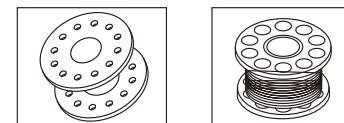
Attaching the Presser Foot

Raise the presser foot using the Presser Foot Lifter. Place the foot under the presser foot holder, then lower the presser foot holder until the cut-out is directly above the pin. The presser foot will engage automatically.

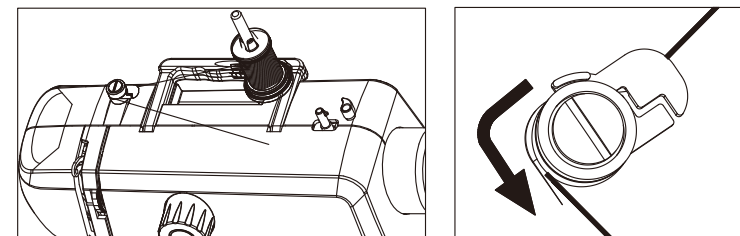


WINDING THE BOBBIN

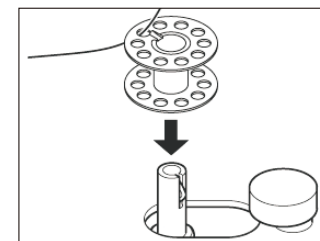
The SS 700+ sewing machine uses metal bobbins. The bobbin case is magnetized. When the metal bobbin is used, correct tension for the bobbin thread can be achieved. Therefore, do not use transparent or plastic bobbins – using transparent or plastic bobbins will result in poor stitch quality due to lack of tension on the bobbin thread. Always use metal bobbins.



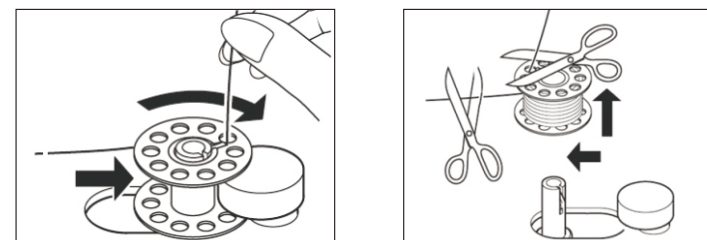
Place the spool base, thread and spool cap onto the spool pin. Pull the thread out from the spool. Slip it into the thread guide, then wind it around the bobbin tension guide, as illustrated.



Put the end of the thread through the hole in the bobbin, as shown. Place the bobbin onto the bobbin winder as far as it will go.

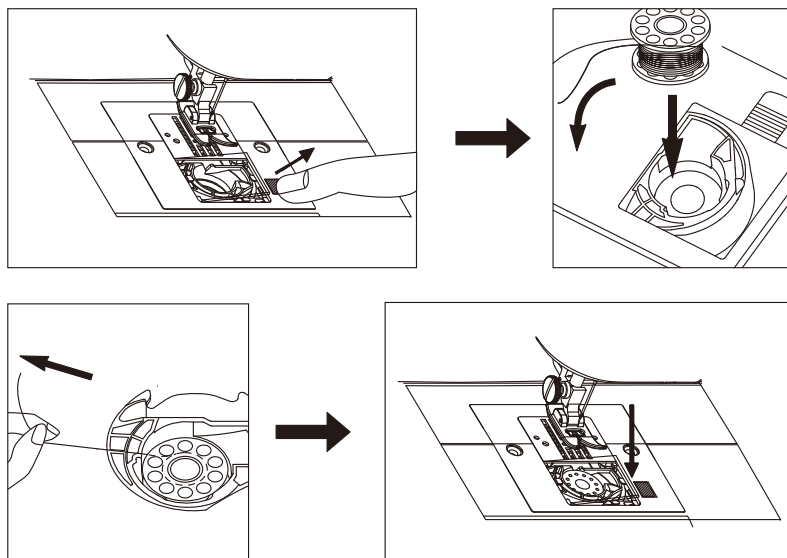


Holding onto the end of the thread, push the bobbin winder firmly to the right, up against the bobbin winding stopper. Step on the foot controller to begin winding the bobbin, stop to trim the thread tail. Step on the foot controller again to resume winding the bobbin. When the bobbin is full, push the spindle to the left, clip the thread and remove the bobbin from the winder.



INSERTING THE BOBBIN

To insert the bobbin, first remove the bobbin cover plate. Place the bobbin into the bobbin case. Pull the thread tail to check that the bobbin turns in a counter-clockwise direction. If it turns in a clockwise direction, remove it from the bobbin case, turn it over and replace it into the bobbin case. Pull the thread tail again to ensure that it moves in a counter-clockwise direction.



THREADING THE UPPER THREAD

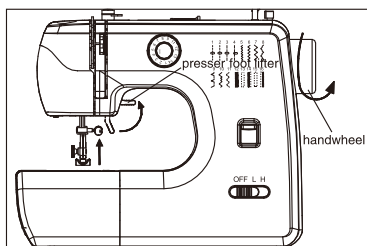
Threading the upper thread is a simple process, but it must be done correctly in order to achieve the correct sewing results. Turn the Power On/Off & Speed Control Switch to the "off" position before threading the machine.

Start by raising the needle to its highest position by turning the handwheel toward you (counter-clockwise), and continue turning until the needle just starts to descend.

Raise the presser foot lifter, which will release the tension of the machine.

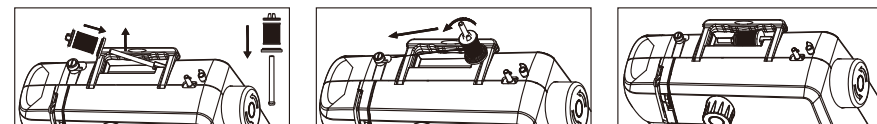
Note: This step is very important. If the presser foot is not raised so that the tension is released, the result will be a large thread jam on the underside of the fabric when you start to sew.

Turn the handwheel toward you until the needle and take-up lever are in their highest positions.

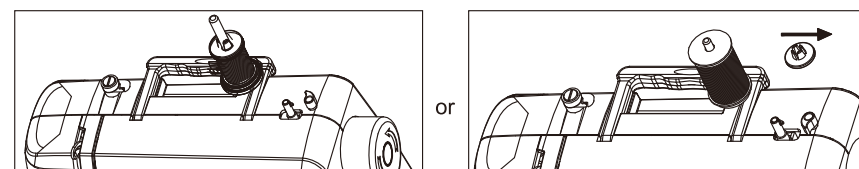


THREADING THE UPPER THREAD

Place the spool base, thread and spool cap onto the spool pin. If the thread spool is smaller in size, the spool pin can remain in a horizontal position. Note: If the thread spool has a slit on the end of it, put that end toward the right so that the thread doesn't get caught on it while sewing.

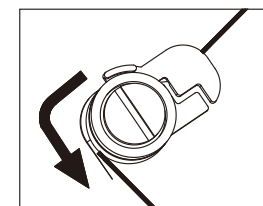


If the thread spool is larger in size, and therefore does not feed properly when it is placed onto the spool pin horizontally, move the spool pin to the vertical position. If the vertical position is used, loosen the spool cap slightly or completely remove it, so that it doesn't prevent the spool from turning while sewing.

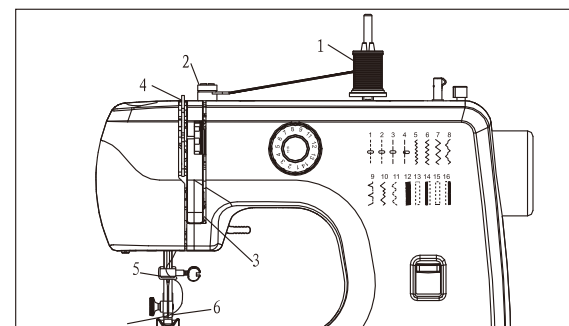


Thread the machine with your left hand while firmly gripping the thread with your right hand in the order shown:

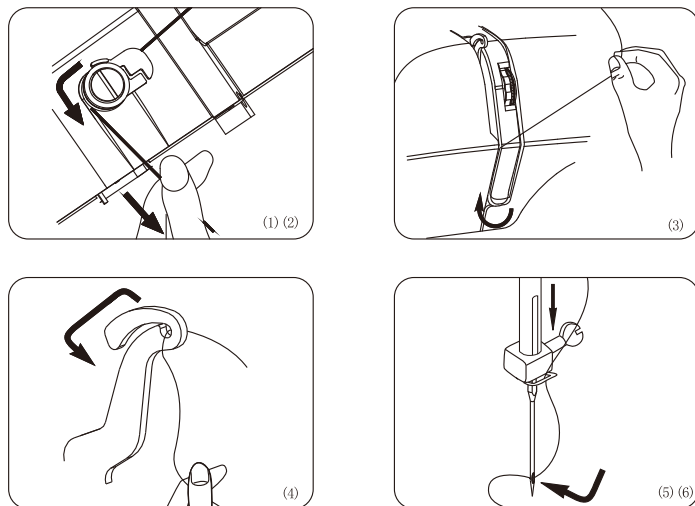
1. Guide the thread through the thread guide at the top of the machine.



2. Pull the thread into the tension discs by pulling the thread down into the channel, as shown.
3. Do a U-turn around the inside of the tab.
4. Pass the thread through the thread take-up lever from right to left.
5. Place the thread into the thread guide.
6. Pass the thread through the eye of the needle from front to back.



THREADING THE UPPER THREAD



RAISING THE BOBBIN THREAD

Before you start to sew, it will be necessary to draw up the bobbin thread.

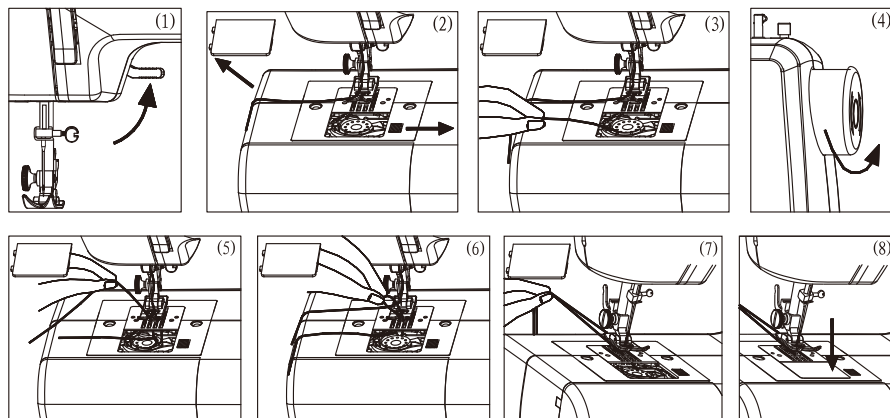
Raise the presser foot lifter.

Holding the needle thread loosely with your left hand, turn the hand wheel toward you (counter-clockwise) with your right hand, first lowering the needle and continuing until the needle comes to its highest position.

Lightly pull up the top thread, and pick up the bobbin thread, which will appear through the needle plate slot.

Pull both the top and bobbin thread together toward the back of the machine, under the presser foot, leaving about 6" clear.

Replace the bobbin cover plate.



CHOOSING A STITCH PATTERN

The Pattern Selector Dial is used to select the stitch you want to sew. The numbers on the dial directly correspond to the display on the front of the machine. Simply turn the dial until the number of the stitch that you want to sew lines up with the red dot marking above the dial.

Stitch Number	Stitch Name	Application	Recommended Foot
1	Straight Stitch Short	Sewing lightweight fabrics	All Purpose Foot
2	Straight Stitch Medium	Sewing medium weight fabrics	All Purpose Foot
3	Straight Stitch Long	Sewing heavier weight fabrics	All Purpose Foot
4	Straight Stitch Extra Long	Machine basting; Gathering/Shirring	All Purpose Foot
5	Left Position Straight Stitch	Topstitching	All Purpose Foot
6	Zig-Zag Satin	Appliqué; Decorative stitching	Satin Stitch Foot
7	Zig-Zag Short	Seam finishing; Decorative stitching	Satin Stitch Foot
8	Zig-Zag Medium	Seam finishing; Decorative stitching	Satin Stitch Foot
9	Zig-Zag Long	Seam finishing; Decorative stitching	Satin Stitch Foot
10	Blind Hem	Hems for woven fabrics; Decorative stitching	Blind Hem Foot
11	Stretch Blind Hem	Hems for stretch knit fabrics; Decorative stitching	Blind Hem Foot
12	Multi-Stitch Zig-Zag	Mending; Elastic insertion; Decorative stitching	Satin Stitch Foot
13	Buttonhole Stitch	1st step to sew a buttonhole	Presser Foot For Buttonhole
14	Buttonhole Stitch	2nd step to sew a buttonhole	
15	Buttonhole Stitch	3rd step to sew a buttonhole	
16	Buttonhole Stitch	4th step to sew a buttonhole	

STRAIGHT STITCHING

The straight stitch is the most frequently used stitch for all types of sewing.

- To begin sewing, first raise the presser foot lifter.
- Pull both the upper thread and the bobbin thread under the presser foot toward the back of the machine, leaving about 6" of thread.
- Place the fabric under the presser foot, then lower the presser foot lifter.
- Turn the hand wheel counter-clockwise (toward you) until the needle enters the fabric.
- Start the machine by stepping on the foot controller. Guide the fabric with your hands. When reaching the edge of the fabric, stop the sewing machine.
- Turn the hand wheel counter-clockwise (toward you) until the needle is in its highest position, then raise the presser foot lifter.
- Draw the fabric to the rear and cut off excess thread with the thread cutter, located on the side of the machine, as shown.

Having selected the correct needle and thread combination for the fabric being used, it may be necessary to adjust the tension of the sewing machine to ensure a well balanced stitch.

A well-balanced stitch is produced when the top and under thread appear the same on the fabric.

Your machine has an adjustable top tension dial. This control exerts tension on the top and under thread as they pass through the machine to form a stitch.

Too much tension will produce a tight stitch which will cause puckered seams.

Too little tension will produce a loose stitch.

When an even amount of tension is exerted on both threads, a smooth even stitch, known as a well-balanced stitch, is produced.

Notice the machine tension dial is marked from 1 through 9, and that the settings of 3, 4 and 5 are further distinguished by a small square. The settings of 3, 4 and 5 represent the general range at which most of your sewing will be done.

How Does Tension Work?

To help understand the effect of tension on fabric and thread, try this simple test.

Take 2 pieces of a medium weight woven fabric in a solid, light color about 6" long.

Place a 2020 size 14 needle in the machine.

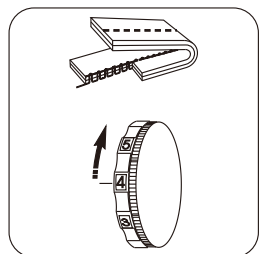
Thread the top of the machine with an all-purpose thread (darker color), and place the same type of thread (lighter color) in the bobbin.

Set the machine for Stitch #3, one of the Straight Stitch selections.

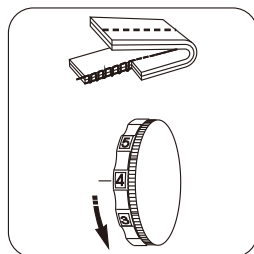
Seam the two pieces of fabric together starting with the top tension control at 1. As you continue to sew, slowly turn the tension dial from 1 through 9.

Sew another row, turning the dial back to 1. You should see a balanced stitch on each row about midway between the start and finish.

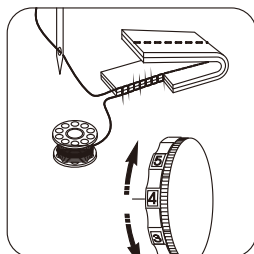
The different colored threads will help you see the effect that tension has on the top and bottom threads.



Too Much Tension



Too Little Tension



Well Balanced Stitching

Tension Test

To verify that the machine is threaded properly in the tension discs, do this simple check:

1. With the presser foot raised and the needle unthreaded, pull the thread. You should detect only a slight resistance and little or no deflection of the needle.
2. Now lower the presser foot and again pull the thread toward the back of the machine. This time you should detect a considerable amount of resistance and much more deflection of the needle. If you do not detect the resistance, this means you have not threaded the upper machine tension correctly and need to rethread it.

Reverse sewing is usually done at the beginning and end of a seam. The purpose is to lock the threads at both ends of the seam so that the seam does not unravel.

Set the machine for straight stitch sewing, depending on the fabric you are sewing. Place the fabric under the presser foot, just inside the top raw edges of the fabric. Lower the presser foot and sew about 3 stitches.

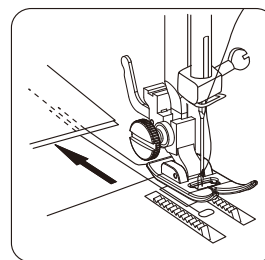
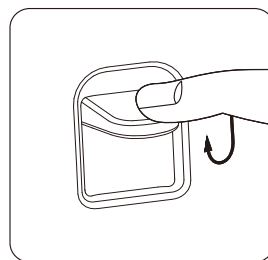
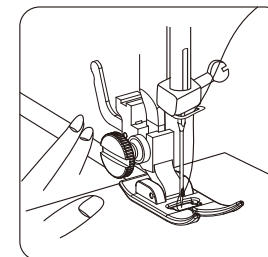
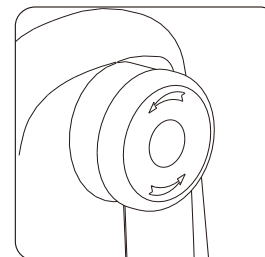
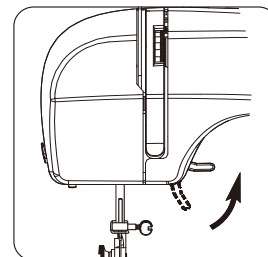
NOTE: The length of the stitch when sewing in reverse is pre-set, regardless of the selected stitch.

Stop sewing, then press and hold the Reverse Lever, located on the front of the machine. Hold it while you sew 3 stitches in reverse.

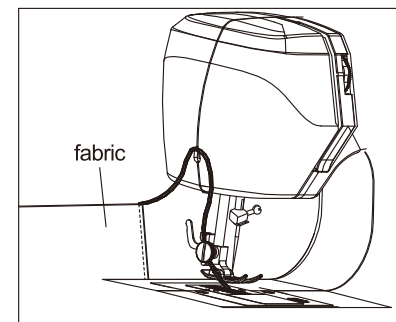
Release the lever and sew forward again, until you come to the opposite end of the fabric. Press and hold the Reverse Lever to sew in reverse again for about 3 stitches.

Release the lever to sew forward again to the end of the fabric.

Lift the presser foot lifter, then remove the work from the machine.



To cut the thread tails, hold the fabric in your left hand. Bring it up from behind the machine, then place the thread tails into the thread trimmer on the side of the machine. Pull down until the threads are trimmed.



The Zig-Zag stitch can be used for seam finishing, appliqué work or decorative sewing.

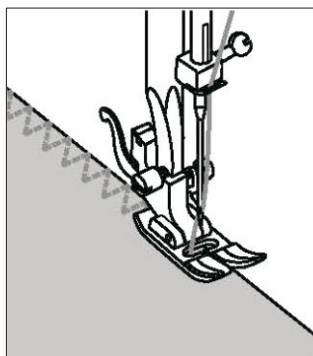
Seam Finishing

Seam edges support the garment and should be given a durable finishing, particularly if the fabric is likely to ravel.

There are two different ways to finish seams: Trimming after stitching the seam edge or overedging. Try the techniques on a scrap fabric first to determine which is right for your project.

1. Overedged Seam Finish

Set the machine for **Stitch #5** or **#6** and attach the **Satin Foot**. Sew, with the right side of the stitch at the edge of the seam. Trim the seam edges evenly.



2. Decorative Stitching

Add a personal touch to your projects by embellishing with decorative threads. Mix different types and colors of thread to create border-like finishes on garments, home décor, crafts and more.

Set the machine for **Stitch #7**, **#8** or **#9**, depending on the look you want.

Attach the **Satin Foot**.

If a heavier weight thread (such as top stitching thread) will be used, be sure to change the needle to a larger size as well.

Appliqué

Appliqué is done by stitching shaped pieces of fabric onto a foundation fabric to form a design or pattern. This technique offers unlimited creative possibilities.

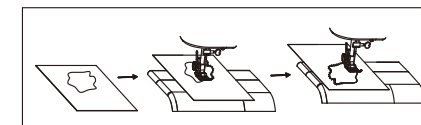
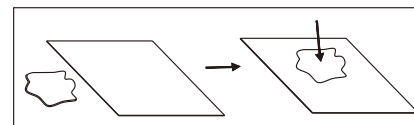
1. Prepare the Appliqué

Apply paper-backed fusible web to the wrong side of the Appliqué fabric, following the manufacturer's recommendations. Draw the Appliqué shape, then cut out the shape from the fabric that has been fused to the fusible web. Remove the paper backing. Position the applique on the foundation fabric, then fuse in place.

2. Stitch the Appliqué

Set the machine for **stitch #6**, the **Zig-Zag Satin Stitch**

To stitch the appliqué sew so that the right swing of the stitch falls off the outer edge of the appliqué, enclosing the raw edge of the fabric. The left swing of the stitch goes into the appliqué fabric.

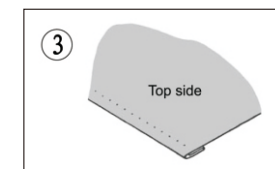
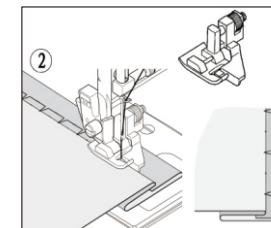
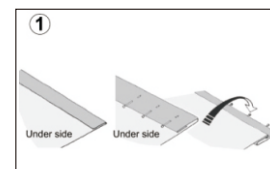


The Blind Hem stitch is primarily used for creating nearly invisible hems on various types of projects such as curtains, trousers, skirts, etc. There are two different blind hem stitch selections on the machine: the standard blind hem stitch (for hems on woven fabrics) and the stretch blind hem stitch (for hems on stretch knit fabrics).

Set the machine to **Stitch #9** for the standard blind hem stitch, or set the machine to **Stitch #10** for the stretch blind hem stitch. Insert the appropriate needle for the fabric to be hemmed (see the Needle, Fabric & Thread Chart for recommendations).

Thread the top of the machine and bobbin with a thread color that matches or blends as closely as possible to the color of the item to be hemmed.

1. Fold and pin the fabric, as shown.
2. Place the fabric under the blind hem presser foot with the fold of the fabric positioned so that the needle just pierces the fold when the needle swings to the left. Be sure to remove pins as you sew.
3. When finished, fold the hem down and press.



MULTI ZIG-ZAG STITCHING

The multi-stitch zig-zag is a very versatile stitch. Use it to mend, insert elastic or simply as a decorative embellishment.

Mending a Tear

Set the machine for Stitch #11 and attach the Satin Foot.

Trim any loose threads from the torn area.

For reinforcement of the torn area, place an underlay of interfacing or small fabric scrap (similar fabric type and color) behind the tear.

Working from the right side, bring the edges of the tear together and then sew.

Use a hand sewing needle to pull the threads to the wrong side, then tie and clip.

Trim away the excess underlay.

Elastic Insertion

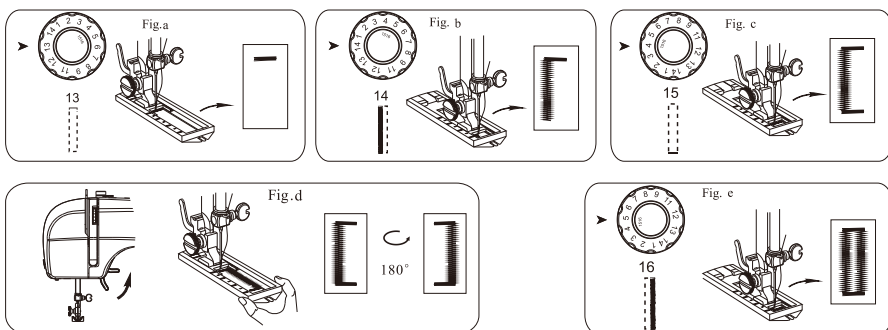
Elastic is easily applied with the multi-stitch zig-zag. The elasticity of this stitch prevents the stitches from breaking when the elastic is stretched.

Set the machine for Stitch #11 and attach the Satin Foot.

If repairing a garment with broken elastic, first remove the old elastic from the garment, then press. Divide both the elastic and the area of the garment where the elastic will be sewn, into quarters. Place a pin at the quarter markings on both the elastic and the garment. Gently pull the elastic to cover the fabric evenly as you sew.

MANUAL BUTTONHOLE

1. Put the cloth under the presser foot, and lower the presser foot onto the cloth where you need to sew a buttonhole. Choose Stitch #13.
2. Turn on the machine at low speed and sew 5 to 6 stitches (Fig. a). Turn off the machine.
3. Choose Stitch #14. Turn on the machine and sew in a straight line for the desired length of the buttonhole (Fig. b). Turn off the machine.
4. Choose Stitch #15. Turn on the machine at low speed and sew 5 to 6 stitches (Fig. c). Turn off the machine.
5. Raise the presser foot and rotate the cloth 180° (Fig. d).
6. Choose Stitch #16. Turn on the machine and sew in a straight line until the buttonhole is finished (Fig. e).



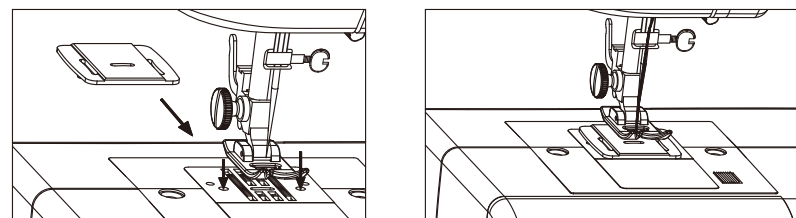
DARNING PLATE

For some sewing techniques such as sewing on buttons, the Darning Plate must be used. The Darning Plate prevents the feed dogs from coming in contact with the fabric, so that the fabric doesn't feed through.

To attach the Darning Plate, line it up with the holes on the needle plate, then push down to snap it in place. Be sure it is positioned so that the hole in the Darning Plate lines up with the opening for the needle on the needle plate.

Turn the hand wheel toward you slowly, to ensure that the needle clears the hole in the Darning Plate.

Remove the Darning Plate to return to normal sewing.



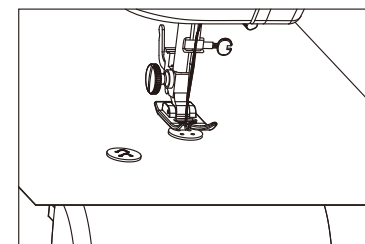
Sewing on a Button

Set the machine for Stitch #6 or #7, depending on the distance between the holes of the button.

Position the fabric and button under the presser foot.

Lower the presser foot.

Turn the handwheel to make sure the needle clears both left and right hole



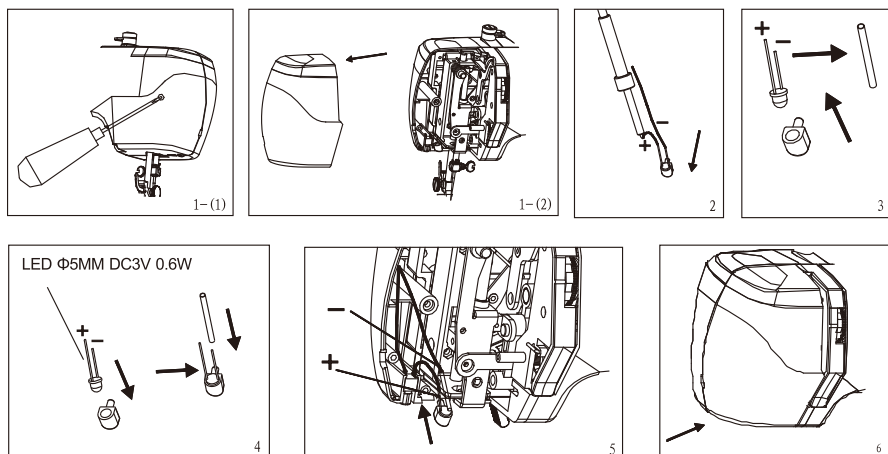
Note: It may be necessary to change to a different zig-zag stitch selection until you find the one that is appropriate for the button. To do so, raise the needle out of the fabric, select the new stitch. Lower the presser foot and then turn the handwheel to see if it clears the holes of the button.

Once you have determined the correct zig-zag stitch setting for the button, sew 10 stitches. If a button shank is required, place a needle on top of the button and sew over the top of it, as shown.

When finished, pull both threads to the backside of the fabric using a hand needle, then tie together to secure.

CHANGING THE BULB

Disconnect the machine from the power supply by removing the plug from the main socket. Replace the bulb with the same type rated ($\leq 0.6W$ and LED Voltage $\leq 3.2V$, $\Phi 5mmLED$).



MAINTENANCE

1. Wipe the machine with clean cloth.
2. Remove bobbin cover and take out the bobbin, place the bobbin cover back after cleaning with a small brush.
3. Keep the machine away from high temperatures.
4. Do not drop.
5. Please turn to the instruction manual when changing the accessories, and make sure these are installed correctly.

TROUBLESHOOTING

How to solve common problems

Problem	Problem cause	Solution
No power or the machine runs slowly	· Adaptor power inadequate	· Use compatible adaptor
Skipping stitches	· Needle inserted incorrectly	· Remove and re-insert the needle with the flat side of the needle to the back
	· Needle bent	· Remove and re-insert a new needle
	· Presser foot too loose	· Tighten the presser foot
Bobbin thread cannot be drawn up	· Bobbin is empty	· Replace with new full bobbin
	· Needle threaded incorrectly	· Re-thread the needle, making sure it is threaded from the front to the back
Thread keeps breaking	· Needle bent	· Remove and re-insert a new needle
	· Needle shank not properly seated	· Remove and re-insert a new needle
	· Thread tension dial, thread guide or thread pulling bar too tight	· Loosen the thread tension between 3-5 number
Stitches too loose or uneven	· Stitch tension is unbalanced	· Rethread the upper thread and bobbin
Needle breaks	· Needle bent or deformed	· Remove and re-insert a new needle