

## Mini multi-purpose sewing machine

### Instruction Manual

For more information, as well as short videos on getting started, threading your machine, winding a bobbin, replacing the needle, and troubleshooting the bobbin holder, please visit this web page:



[tivax.com/collections/sewing-machines/products/desktop-sewing-machine-lss-505](http://tivax.com/collections/sewing-machines/products/desktop-sewing-machine-lss-505)

Michley Electronics Inc. / Tivax  
530 Showers Dr., Suite #7-204  
Mountain View, CA 94040  
Tel: 1-888-33-Tivax (1-888-338-4829)  
Fax: 1-408-708-2802  
Email: [support@tivax.com](mailto:support@tivax.com)  
Website: [www.tivax.com](http://www.tivax.com)



## LSS 505+

Please read the instruction book carefully before operating the sewing machine. Please save this manual in a safe place. This sewing machine is for household use.

Please read all instructions carefully before using this appliance and keep them in a safe place for future use.

## IMPORTANT SAFETY INSTRUCTIONS

**WARNING:** To reduce the risk of burns, fire, electric shock, or injury to persons, always carefully follow all instructions and safety warnings in this manual.

This sewing machine is only suitable for domestic use.

Do not use outdoors.

This appliance is powered by an AC/DC adapter or 4 AA batteries.







The sewing machine must be switched off and the adapter unplugged when:

- Threading the needle
- Changing the needle
- Changing the bottom bobbin
- Changing parts
- Cleaning the machine
- Not using the machine

### Important:

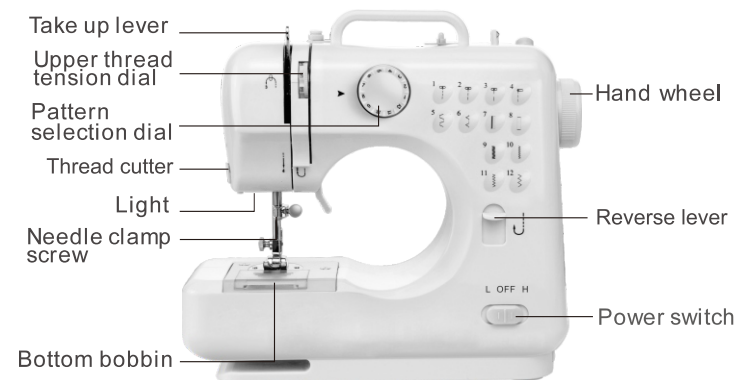
- Never leave the sewing machine unattended in the presence of children.
- When operating the sewing machine, keep your hands away from the needle, hand wheel, and pattern selection dial.
- To clean the sewing machine, simply wipe it with a soft cloth. Never use any harsh chemical solutions. You do not need to oil the machine.

## ACCESSORIES

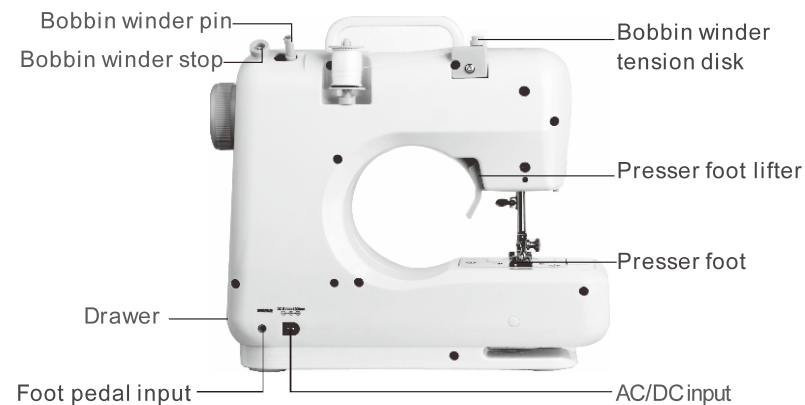
Foot pedal	× 1	
AC adapter	× 1	
Thread spool	× 2	
Bobbin	× 2	
Needle threader	× 1	
Replacement needle	× 1	

## NAMES OF PARTS

### Front view



### Back view

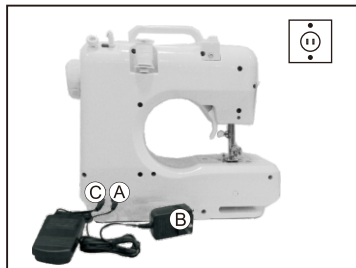


## CONNECTING THE SEWING MACHINE TO THE MAIN POWER SUPPLY

**Note:** The sewing machine can use either batteries or the adapter. It is not necessary to use both at once.

1. Make sure the power switch on the front of the sewing machine is in the OFF position.
2. Connect the adapter (A) to the DC input socket on the back of the sewing machine, and connect the two-pin plug (B) to the main power supply.
3. Connect the foot pedal (C) to the sewing machine by inserting the jack into the foot pedal input socket on the back of the sewing machine.
4. To operate the sewing machine, you can either use the foot pedal or the power switch. When using the foot pedal, keep the power switch in the OFF position at all times. When using the power switch, you can slide the power switch to the left (L) or to the right (H). The low setting (L) is slow, while the high setting (H) is fast. Please note that either of these settings will switch on the sewing machine and cause it to operate automatically.

**CAUTION:**  
Whenever the sewing machine is not in use, make sure it is switched off and unplugged from the main power supply.



## INSTALLING THE BATTERIES

**Note:** The sewing machine can use either batteries or the adapter. It is not necessary to use both at once.

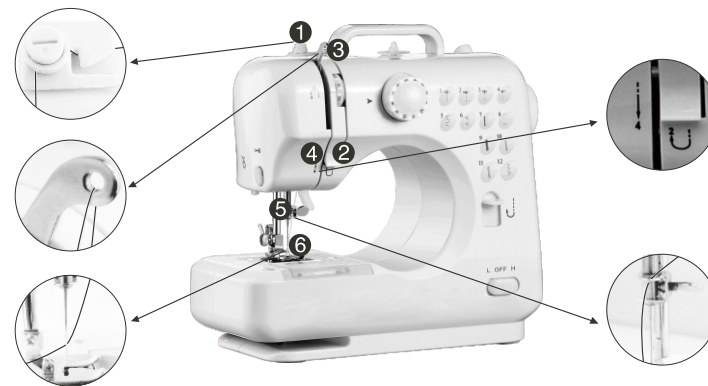
1. Make sure the sewing machine is unplugged from the main power supply and the power switch is in the OFF position.
2. Turn the sewing machine on its side on a flat surface and remove the battery cover.
3. Insert 4 AA batteries into the compartment and put the battery cover back on.

**CAUTION:**  
To prevent accidental startup of the sewing machine, always make sure that the power switch is in the OFF position when inserting or changing the batteries.



## THREADING THE SEWING MACHINE

**CAUTION:** When threading the sewing machine, make sure that the power switch is in the OFF position and the presser foot is up, and follow steps 1-6 pictured below. Turn the hand wheel counterclockwise (toward you) to raise or lower the needle as needed to make threading easier.



## NEEDLE REPLACEMENT

**CAUTION:** Remove the batteries and/or disconnect the AC/DC adapter before replacing the needle.

1. Turn the hand wheel to raise the needle to its highest position. (Fig.1)
2. Hold the old needle and loosen the needle clamp screw. Remove the old needle and discard responsibly.
3. Insert the new needle into the clamp with the flat side of the needle shank toward the back. Be sure to push the needle up as far as it goes.
4. Tighten the needle clamp screw. (Fig. 2)



1. Turn the hand wheel counterclockwise (toward you) until the needle is in the highest position. Raise the presser foot lifter.
2. Slide the bobbin cover forward and remove the empty bobbin.(Fig.3).
3. Place the new bobbin in the bobbin holder, leaving approximately 10cm (4 in.) of thread extended out from the new bobbin.(Fig.4).
4. Hold the needle thread loosely with your left hand.(Fig.5).Turn the hand wheel counterclockwise with your right hand. The needle will go down, and the needle thread will pick up the bobbin thread. Continue to turn the hand wheel until the needle has descended completely and then returned to the highest position.
5. Gently pull the needle thread up, and you will see it has caught the bobbin thread. The bobbin thread should appear through the hole under the presser foot. Pull the two threads towards the back (away from you), separate them, and lay them under the presser foot leaving 10cm (4 in.) of thread trailing out.(Fig.6).
6. Replace the bobbin cover.

**CAUTION:** It is essential that the top and bottom are both threaded correctly. Check them carefully and do practice stitches before beginning to sew.

**IMPORTANT:** Make sure you always use a metal bobbin. Otherwise the magnetized bobbin holder will not be activated and there will not be tension on the bobbin thread.



Fig.3



Fig.4



Fig.5

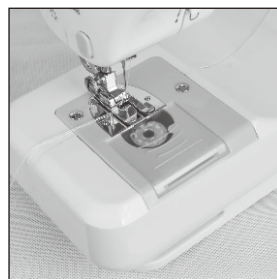


Fig.6

1. Turn the hand wheel counterclockwise (toward you) to raise the needle to its highest position. Lift the presser foot and place the fabric under the presser foot (Fig. 7).
2. Lower the presser foot (Fig. 8).
3. The sewing machine can be operated in two ways: with the foot pedal or with the power switch. To operate the sewing machine with the foot pedal, make sure the power switch is in the OFF position at all times. Press your foot down on the pedal to start sewing, and release the pedal to stop. Alternatively, when you are ready to start sewing, slide the power switch sideways to the low (L) position and the sewing machine will automatically start sewing, or slide the power switch to the high (H) position to sew faster. To stop sewing, slide the power switch to the OFF position (Fig. 9).
4. When you finish the seam, turn the hand wheel counterclockwise to raise the needle to the highest position (Fig. 10). Lift the presser foot and gently remove the fabric from the sewing machine.
5. Cut the thread using the built-in thread cutter.

**WARNING:** Do not touch the pattern selection dial when the sewing machine is in use.

**Note:** This model sews cloth with a thickness of 0.3mm. When using the machine to sew double layers of cloth, every stitch pattern is available. When sewing soft cloth (thickness 0.3mm) or silk, use stitch patterns 1,2,3 or 4 for best results.

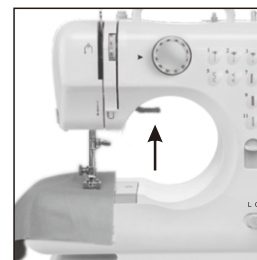


Fig.7

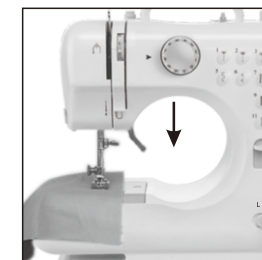


Fig.8

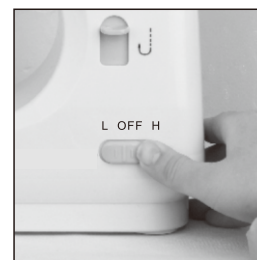


Fig.9



Fig.10

**12 STITCH PATTERNS**

1. The sewing machine has 12 different stitch types/lengths. When you wish to change the stitch type, turn the hand wheel to raise the needle to its highest position.
2. To select the stitch you want, look at the diagram numbered 1-12 on the front of the sewing machine, choose the corresponding number on the dial, and line it up with the arrow. For example, to select stitch type 2 turn the dial until the number 2 is lined up with the arrow.
3. Proceed to sew.



**CAUTION:** Always raise the needle to its highest position when you wish to change the stitch type.

**REVERSE STITCH LEVER**

Reverse sewing (backward stitching) is useful for reinforcing the beginning and end of a seam. Use this function as follows:

1. Sew forward as usual, and then press and hold down the reverse stitch lever on the front of the sewing machine to sew backward.
2. To sew forward again, release the reverse stitch lever.

**SETTING THE SEWING SPEED**

This sewing machine has two speeds. Slide the power switch to the right to the high (H) position to sew quickly, and slide it left to the low (L) position to sew more slowly.



**WORK LIGHT**

If you need additional light, press the light switch (located above the presser foot as shown on page 2) to turn the light on. Press the switch again to turn it off.



**SEWING SLEEVES**

This sewing machine has been designed to sew sleeves or other narrow openings in garments.

1. Lift the presser foot.
2. Position the garment over the sewing arm.
3. Lower the presser foot and follow the normal sewing instructions.



**DRAWER**

There is a drawer in the side of the sewing machine for handy storage of accessories.



**BOBBIN WINDING**

Put a spool of thread on the spool pin, and put the round plastic cap on top of the spool (Fig. 11).

Pull the thread to the right of the bobbin winder tension disk (Fig. 12). Pull the thread around the disk and back toward the left, with the thread wedged under the tension disk.

Wind the thread clockwise around the bobbin several times.

Push the bobbin onto the bobbin winder pin and push it toward the bobbin winder stop (Fig. 13).

Turn on the power switch to start winding (Fig. 14). Guide thread with your finger if necessary.

Stop winding by turning off the power switch when enough thread is wound on the bobbin (Fig. 15).

Take the bobbin off the pin and cut the thread.

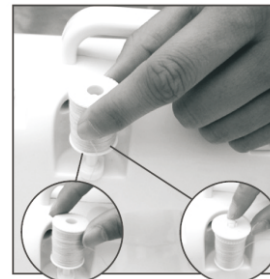


Fig.11



Fig.12

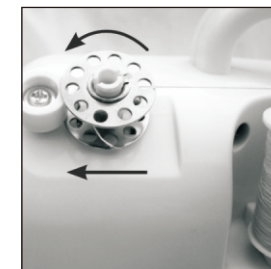


Fig.13



Fig.14



Fig.15

**ADJUSTING STITCHING**

1. In a correctly formed stitch, the top and bottom threads should be neither too tight nor too loose (Fig. A).

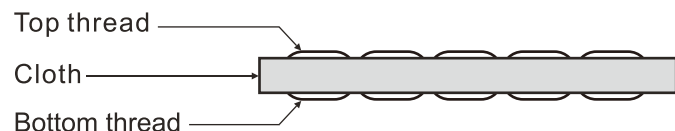


Fig.A

2. If the bottom thread looks like a straight line, it means the top thread is too loose. Turn the thread tension dial to a higher number until the stitching returns to normal. The recommended tension setting for most fabrics is 3, 4, or 5.



Fig.B

3. If the top thread looks like a straight line, it means the top thread is too tight. Turn the thread tension dial to a lower number until the stitching returns to normal.



Fig.C



**Correct disposal of this product**

This marking indicates that this product should not be disposed of with other household waste throughout the EU. To prevent possible harm to the environment or human health from uncontrolled waste disposal, recycle it responsibly to promote the sustainable reuse of material resources. To return your used device, please use the return and collection systems or contact the retailer where the product was purchased. They can take this product for environmentally safe recycling.

Problem	Possible cause	Solution
No power or the machine runs slowly	·Batteries are installed incorrectly	·Reinstall the batteries facing the correct way
	·Batteries are low	·Use new batteries
	·Adapter power inadequate	·Use compatible adapter
Skipping stitches	·Needle eye faces the wrong way	·Remove and re-insert the needle with the flat side of the needle shank facing the back of the machine
	·Needle bent	·Remove and insert a new needle
	·Presser foot too loose	·Tighten the presser foot
Bobbin thread cannot be drawn up	·Bobbin thread has been used up	·Replace with new full bobbin
	·Needle threaded incorrectly	·Re-thread the needle, making sure it is threaded from the front to the back
Thread keeps breaking	·Needle bent	·Remove and insert a new needle
	·Needle not properly inserted	·Remove and re-insert the needle, pushing the needle in as far as it goes
	·Thread tension too tight	·Set the thread tension to number 3, 4, or 5
Stitches too loose or uneven	·Upper thread or spool is stuck	·Make sure the upper thread runs smoothly and the spool turns freely
	·Thread tension too loose	·Set the thread tension to number 3, 4, or 5
Needle breaks	·Needle bent or deformed	·Remove and insert a new needle

**For troubleshooting and quick start guide videos, please visit [www.tivax.com](http://www.tivax.com).**