

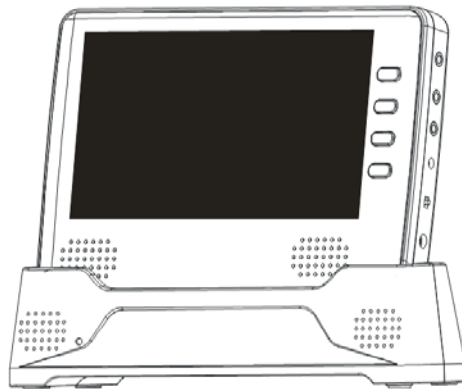
# Tivax HiRez<sup>7</sup> Docking Station User's Guide

Congratulations on your selection of the HiRez<sup>7</sup> digital television and docking station! In order to optimize your use of these products, please consider the following:

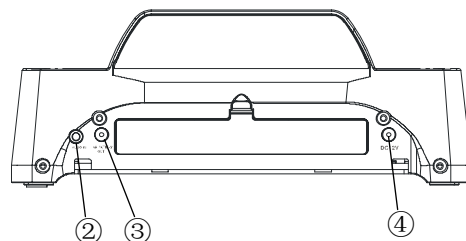
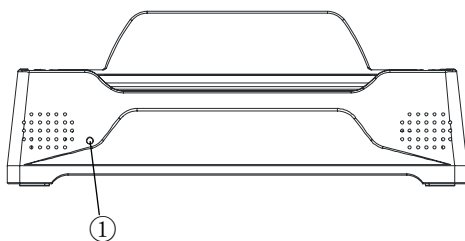
This docking station (DS) is designed as a holder for the HiRez<sup>7</sup> portable TV, charge the Li-Ion batteries, and work with 8 AA batteries or 2 Li-Ion batteries to provide power for the TV when no other power source is available such as in a power outage. In addition, it also offers enhanced sound for the TV as well.

## 1. Getting set up:

- Identify the 2 cables (1 power cable and 1 audio cable) provided with your docking station.
- Place the HiRez<sup>7</sup> portable TV in the docking station. It will fit snugly.



## 2. Use the DS to power the TV



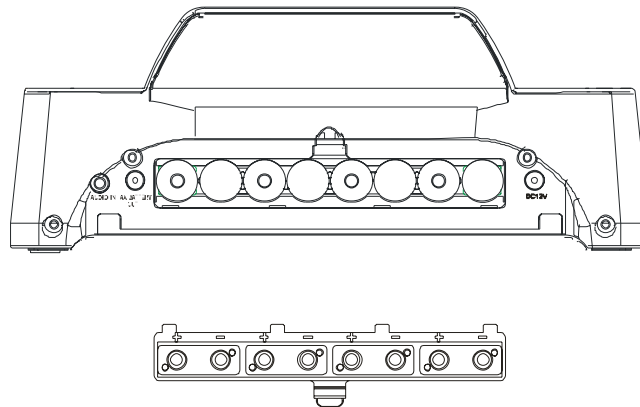
① LED light (Charging)    ② Audio input    ③ AA battery output    ④ DC 12V input

### a) Using the external power supply

- Connect the power supply (comes with the HiRez<sup>7</sup>) to the DC 12 V input of the DS ④
- For enhanced sound, connect the included audio cable to the Audio input on the docking station ② and to the headset input on the TV (top input on the right side).
- Turn the TV on and refer to the operating procedures in the TV's users' manual.

b) Using AA batteries

- When no other power source is available, you may choose to use AA batteries.
- Remove the battery cover at the rear of the DS by pulling the battery compartment tab toward you.
- Install 8AA regular batteries in the rear of the docking station making sure the battery terminals +/- match the +/- signs on the bottom of the docking stations to ensure correct electrical polarity.
- Attach the included power cable to the AA Battery Out on the DS ③ and to the AA Battery In on the Hi-Rez<sup>7</sup> TV.
- Turn the TV on and refer to the operating procedures in the TV's users' manual.



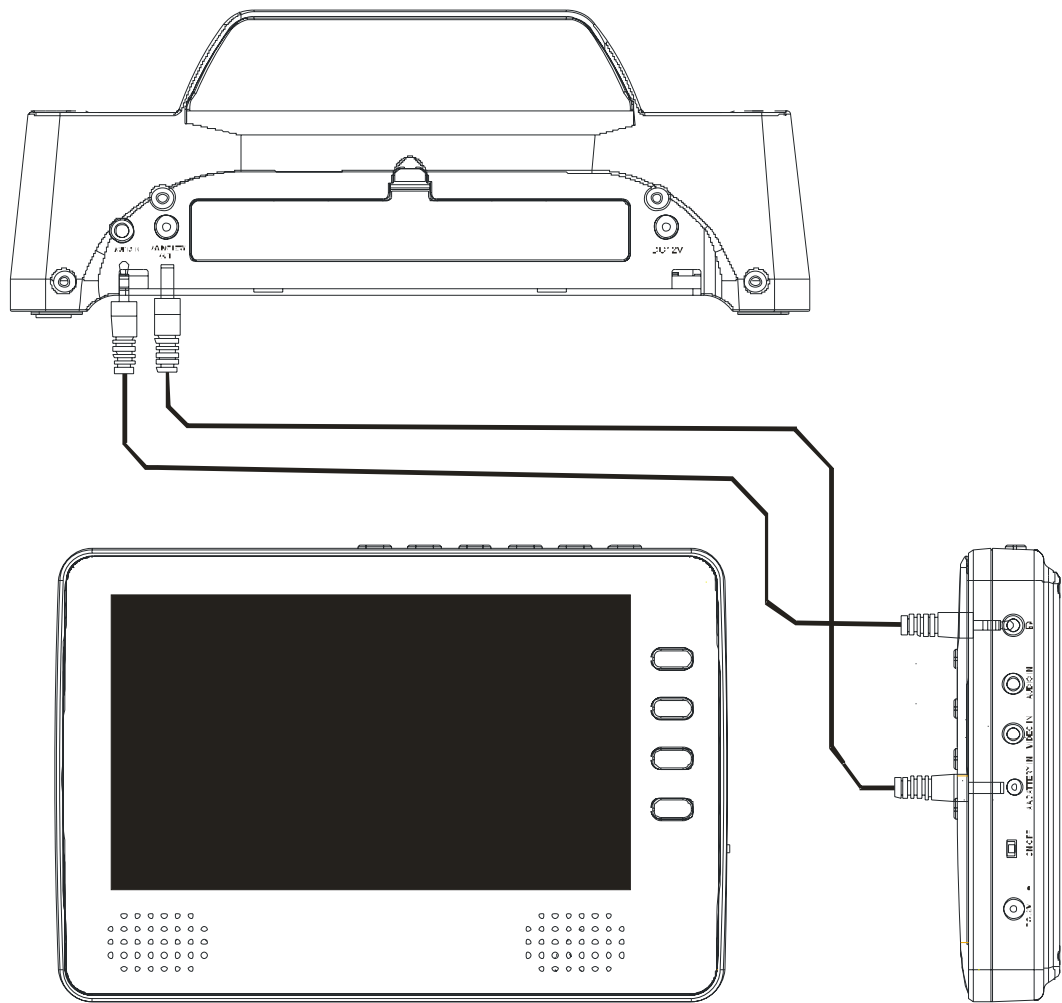
### 3. Use the DS to charge the Li-Ion batteries

Note: Please remove the AA batteries from the unit. The Li-Ion batteries will not charge if AA batteries are inserted in the unit.

1) Installing the Li-Ion batteries (in the docking station)

- Remove the battery cover from the bottom of the docking station.
- Remove A. and B Li-ion batteries from the portable TV.
- Insert A and B Li-ion batteries in the opening at the bottom of the docking station making sure the battery terminals +/- match the +/- signs on the battery cover to ensure correct electrical polarity. Please note the batteries are different in size and will only fit in appropriate charging compartment.
- Place battery cover back by pressing down and pushing into the slot.
- Connect power adapter to docking station and to the power supply.
  - Note: If the Li-ion battery is not placed correctly in the docking station, the LED light will be flashing red.
- LED light will turn red (no flashing) during the time batteries are being charged.
- LED light will turn green when batteries are fully charged.

Note: Unplug the power adapter if the machine is not being used.



Battery dimensions and voltage:

Battery A: 71.4\*51.4\*7mm, 3.7V; Battery B: 81.4\*51.4\*7mm, 3.7V

**Caution:** Please do not charge the Li-ion batteries inside the DS while the TV is on.

**This may overload your power supply.**

## Michley/Tivax Limited Warranty to Original Purchaser

Michley/Tivax warrants this product purchased in the USA against defects in material and workmanship under normal use and service for a period of one year from the date of retail purchase by the original end-user purchaser. Products will not be warranted if the serial number is removed or defaced.

This warranty shall be void upon transfer of ownership of this product and is effective only when used in the United States.

Michley/Tivax agrees to repair or replace this unit at no charge, within the warranty period, providing that the product is delivered to Michley/Tivax in its original package or equivalent, fully insured, with all shipping charges prepaid and a return authorization number listed on the outside of the packaging. A handling charge of \$25 will be applied to any returned product found not to be defective. To honor this warranty and to ensure the best service to our customer, Michley/Tivax requires the following information to be included with the returned unit:

- A copy of the original sales invoice from your vendor.
- Model number & serial number of the unit.
- A detailed description of the problem associated electrical connection and hardware.

A Return Authorization number can be requested by sending a fax to 650-963-3585 or an email to [support@tivax.com](mailto:support@tivax.com) prior to returning the unit.

This warranty contemplates the owner will reasonably maintain this product without alteration, negligent use, misuse, or abuse. Furthermore, any unauthorized alteration of this device without written approval by Michley/Tivax will void any warranty and the owner's right to operate this device.

This warranty presented above is exclusive and in lieu of all other expressed or implied warranties. Any warranty applicable to this product is limited to the period described above. In no event will Michley/Tivax be liable for any special, incidental, or consequential damage, loss of revenue, or cost of replacement goods resulting from the use of malfunction of this product to the equipment system on which it is used. This warranty gives specific legal rights and you may have other rights that vary from state to state.

---

---

Questions? Please contact as at the information below from 9am to 5pm PST.

**General Information:** [info@tivax.com](mailto:info@tivax.com) 1-888-33-Tivax (1-888-338-4829)

**Customer Support:** [support@tivax.com](mailto:support@tivax.com)

**Thank you for choosing Tivax!**

[www.tivax.com](http://www.tivax.com)