

XS4

Complete User Guide

Visit kaiserbaas.com for more information

KAISER BAAS

CONTENTS

Safety Precautions	01
Product Diagram	03
Preparing the XS4	05
Mounting your Smartphone	06
Operation	09
Connecting & Using the App	13
Specifications	18
Support	19

Before using your Kaiser Baas XS4 Gimbal please ensure you read and understand the following product and safety precautions.

- Intricate components inside the XS4 may be damaged upon impact and cause the gimbal to malfunction.
- Ensure there is nothing obstructing the gimbal when the XS4 is powered on.
- Unlock the arms before powering up the gimbal.
- XS4 gimbal is not water resistant. Do not use any liquid cleansers. Only use a soft dry cloth to clean the XS4.
- Keep the XS4 away from sand and dust to safeguard the sensors in the motors.
- ONLY recharge the XS4 using the supplied USB cable: If using a wall charger, ensure that it is a certified

product for your region. AC Input: 100-240VAC 50/60Hz. DC Output: 5V 1A. Only use a USB wall charger with suitable approval and certification. Do not charge in conditions outside of the 10°C - 45°C range. If you do not know the voltage and current of your charger, use the included cable to charge from your computer.

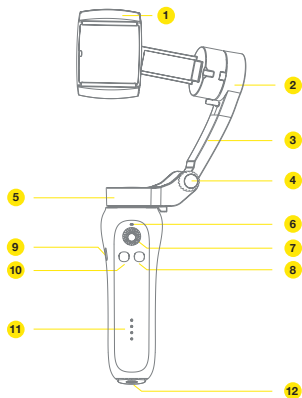
- The gimbal should not be used in heat exceeding 55°C (131°F).
- DO NOT drop, crush, pierce, bend, deform, microwave, incinerate or, shoot the gimbal.

Important Battery Safety Information

- DO NOT use any third-party or unknown accessories or batteries.
- DO NOT disassemble the battery.
- DO NOT short-circuit the battery. Short

circuiting may occur when the battery touches other metal objects.

- DO NOT charge the battery in direct sunlight.
- Always charge the battery in a designated space, away from people and animals.
- DO NOT leave a battery on prolonged charge when not in use.
- If the battery has a high surface temperature, leave it to cool before you try to re-charge it.
- DO NOT charge the battery if the ambient temperature is below 10°C or above 45°C.
- Always use the supplied charger and observe manufacturer charging requirements.
- Battery performance is best when within normal room temperature (5°C-20°C).
- Batteries need to be charged before use.



1. Smartphone Holder

2. Tilt Motor

3. Vertical arm

4. Thumb Screw

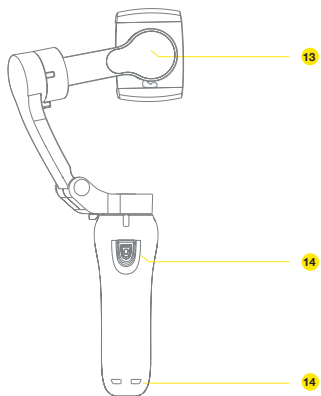
5. Pan Motor

6. LED Status Indicator

7. Joystick

8. Power Button

9. USB-C Charging Port



10. Mode Button

11. Battery Level Indicators

12. 1/4 " Screw Thread

13. Roll Motor

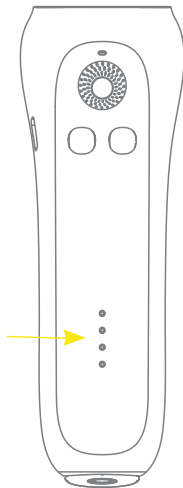
14. Capture Button

15. Lanyard Hole

The battery status indicator will start flashing blue when the power cable is connected. The battery is fully charged when the battery indicator turns solid blue.

Battery indicator will flash rapidly when the battery is low.

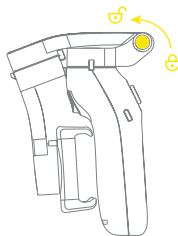
Recommended charging time is 3 hours. Maximum runtime is 4-5 hours.



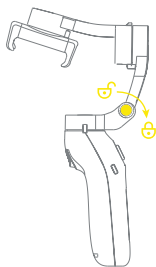
MOUNTING YOUR SMARTPHONE

06 - ENG

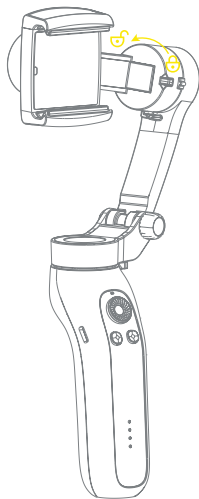
Only mount and balance the smartphone while the XS4 is powered off.



1. Loosen the thumb screw to unfold the arm.
Tighten the screw back once the arm is steady.



2. Turn left to unlock the tilt axis motor



MOUNTING YOUR SMARTPHONE

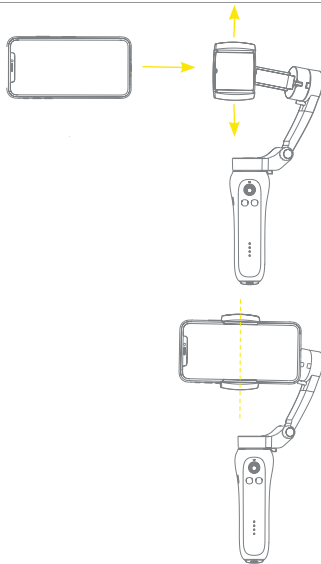
08 - ENG

3. Pull the sides of the holder outwards and place the Smartphone horizontally in the holder, then release the sides. Slide the phone in and move it left or right until the smartphone remains balanced when released.

It is important to balance the XS4 Gimbal before turning on.

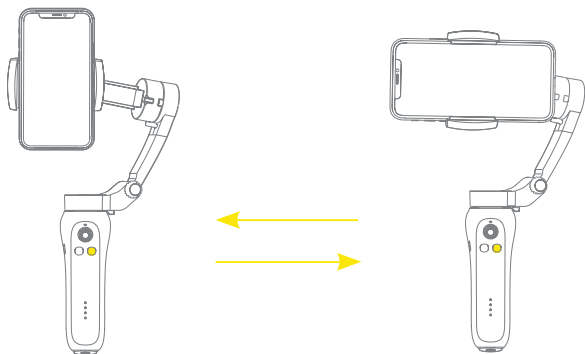
The axis is balanced if the Smartphone remains level when released.

Note: Make sure the Smartphone is mounted and balanced before the Gimbal is turned on. Do not power on the XS4 Gimbal without a phone.



To power ON / OFF the Gimbal, press and hold the power button for few seconds.

Once powered on, press the Power button to switch between Portrait/Landscape mode.



CONTROLS

1. Power Button

- Press & Hold the Power Button to power ON/OFF
- Press once to switch between Portrait/Landscape mode
- Press twice to switch between Front/Rear Camera when using the KB XS4 app
- Press three times to switch between Video/Photo Mode on smartphone when using the KB XS4 app

2. Mode Button

Press Mode button once to switch between Gimbal Modes (Pan & Tilt Following mode/ Pan Following Mode/Lock Mode)

Press Mode button twice to re-centre the Smartphone

3. Joystick

Use the joystick to pan or tilt the Smartphone

The Joystick can be used in all 3 modes.

4. Capture Button

Press the capture button once to either Start / Stop recording or to capture a photo depending on the mode you are in.

Note: This button will only work when using the KB XS4 App.

OPERATING MODES

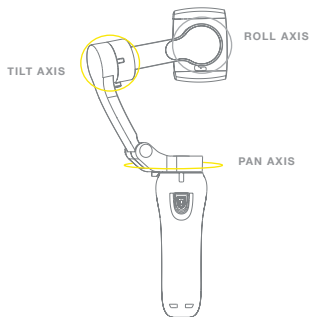
Use the mode button to switch between Pan & Tilt Follow, Pan / Follow and Lock modes.

The Gimbal enters Pan & Tilt Follow by default when the gimbal is powered on.

1. Pan & Tilt Follow mode

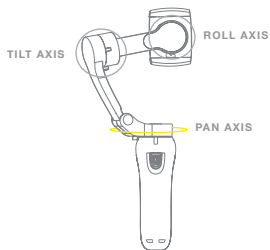
In this mode, roll axis is locked. Pan axis and tilt axis allows the Gimbal to move in both horizontal and vertical axis.

Push the joystick UP / DOWN to manually control the tilt axis, move the joystick LEFT / RIGHT to manually control pan axis.

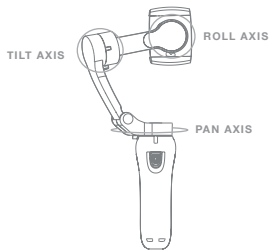


2. Pan Follow mode

In this mode, the Smartphone will follow the movement of the Gimbal while the tilt and roll axis are locked. Push the joystick UP / DOWN to manually control the tilt axis, move the joystick LEFT / RIGHT to manually control pan axis.

**3. Lock Mode**

In this mode all axes are locked (Pan / Tilt / Roll) to keep the Smartphone / Action Camera still and stable. Push the joystick UP / DOWN to manually control the tilt axis, move the joystick left and right to manually control pan axis.



Install the KB XS4 App

Download and install the KB XS4 app on your Smartphone.

Initial Setup

Make sure the Gimbal is fully charged before use. Connect the USB wall charger (not included) to the Micro USB charging port using the supplied charging cable.

Find the KB XS4 app on the App store or Google Play store



Find the KB XS4 app on the App store or Google Play store



Pairing your Smartphone with your XS4

1. Turn on Bluetooth on your Smartphone.
2. Power on the XS4 by holding the power button for a few seconds.
3. Launch the KB XS4 App on your Smartphone to start pairing your Gimbal.
4. Bluetooth ID (STABILIZER_XXXXXX) will appear once the app finds the XS4 Gimbal, tap on it to pair it.
5. If the pairing is successful, a blue colour Bluetooth icon will appear on the screen. You can now start using all the app features.
6. If the pairing is not successful try turning Bluetooth off and on until you see (STABILIZER_XXXXXX).

To review your Footage

Once the device is connected your Smartphone will display the live view.

Record a video/photo via the XS4 App.

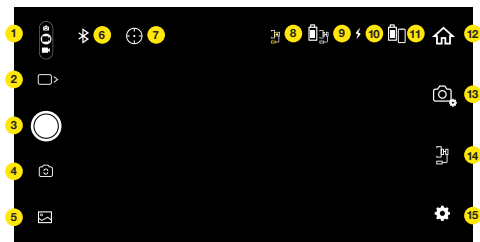
To view saved images and video, select the Gallery icon in the bottom left of the screen.

Select a photo / video you wish to playback from the gallery.

To save the files on to your smartphone gallery, select a photo / video you wish to save, tap the Floppy disc icon at the bottom .

To edit the photos/videos, add filters, add music, trim clips etc, select the photo/video you wish to edit, tap on the Edit icon at the bottom.

To share the photos/videos, tap on the Share button at the bottom of the screen



- | | | |
|---------------------|---------------------------|---------------------|
| 1. Photo/Video/Vlog | 6. Bluetooth Status | 11. Phone Battery |
| 2. Capture Modes | 7. Face / Object Tracking | 12. Home |
| 3. Record | 8. Operating Mode | 13. Camera Mode |
| 4. Toggle Camera | 9. Gimbal Battery Status | 14. Mode Settings |
| 5. Gallery | 10. Flash Light | 15. Gimbal Settings |

Pairing your Gimbal with the XS4 App allows you to access and control range of features.

Video Modes

- Slow Motion
Normal footage being played at a slower speed.
- Time Lapse
Sequence of frames at set intervals to record changes that take place.

Motion Time Lapse

- Motion Time Lapse is a technique used in photography where you take several photos over a period of time at various intervals moving slightly after each photo, then play it back at a faster rate so that continuous projection of the frames.

Photo Modes

- Single Shot
Set the timer for automatic capture
- Pano Shot
Gimbal will rotate itself to capture in 180°

Vlog Mode

To access the Vlog Mode, tap on the Photo/Video icon on the top left corner, select Vlog Mode.

- Inception

In this mode, the smart phone will automatically rotate 180 degree to upwards to take inception footage.

- Dolly Zoom

In this mode, video will be recorded with the zoom-in zoom-out camera-effect while the foreground subject will stay the same size.

- Fast Transition

Video will be recorded with fast transition effect when switching from one scene to other.

- Face-tracking Shot

In this mode, the smartphone will track the face and capture an image in each scene and convert the the scenes to a short clip with dynamic effects.

- Panoramic Shot

Gimbal will rotate itself to capture in 180°

SPECIFICATIONS & SUPPORT

18 - ENG

Tilt Angle	160°
Roll Angle	325°
Panning Angle	340°
Max Payload	280g
Controllable Tilt Angle	+30°/-30°
Controllable Roll Angle	+90°/-90°
Controllable Pan Angle	+240°/-100°
Bluetooth	Yes
Run time	4.5-5 hours
Smartphone App	Yes
Gimbal Dimensions:	260x130x88mm
USB Power Output Voltage	5V

Support

Having trouble with your Gimbal?

Don't worry, our friendly support team can help. Please visit us at:

[**www.kaiserbaas.com/support**](http://www.kaiserbaas.com/support)

Or send us an email at:

[**helpdesk@kaiserbaas.com**](mailto:helpdesk@kaiserbaas.com)



@kaiserbaas

KAISER BAAS

