



EVO Manufacturing
Jeep Wrangler JT Gladiator 2019+
Gladiator Bed Rack Instruction Manual
EVO- 3073/B, EVO- 3074/B





CAREFULLY READ AND FOLLOW ALL INSTRUCTIONS IN THIS MANUAL AND KEEP FOR FUTURE REFERENCE. IF YOU HAVE ANY QUESTIONS ABOUT THE PRODUCT CALL EVO MANUFACTURING. FAILURE TO FOLLOW GUIDELINES COULD RESULT IN MALFUNCTION OF PARTS OR INJURY. PLEASE HAVE A TRAINED PROFESSIONAL ASSIST WITH OR INSTALL ALL PRODUCTS. INSTALLING EVO MFG PRODUCTS OR KITS DEMANDS SPECIFIC KNOWLEDGE, TOOLS AND EXPERIENCE. GENERAL KNOWLEDGE OF HOW TO USE LATER SPECIFIED TOOLS AND/OR LIMITED EXPERIENCE WITH EVO MFG PRODUCTS MAY NOT BE ENOUGH TO PROPERLY COMPLETE THESE TASKS. SOME OF EVO MFG PRODUCTS MAY REQUIRE TWO OR MORE PEOPLE TO INSTALL SAFELY AND CORRECTLY. DO NOT ATTEMPT ALONE, ALWAYS ENLIST THE HELP OF TRAINED PROFESSIONAL WHEN NEEDED.

Notes: Set Up Before installation

Make sure to clean top of bed sides and below bed lip.

May require 2 persons to ease install.

Keep all mounting bolts loose (installed but not torqued) we will torque later at the end of complete installation, after all bolts are loosely installed.

READ BEFORE INSTALL:

It is generally a good idea to apply Loctite to all threaded bolts.

ALWAYS wear safety glasses and other approved safety gear when working on a vehicle.

All supplied bolts torqued according to chart at end of instruction.

It is recommended all installation be performed by a trained professional. Some modification may have to be done.

It is advised to not carry items at high speeds that can create lift (upward force to due to wind)



Parts included: Table below shows black (painted) Gladiator Bed Rack.

Description	#	Part #	Quantity
Driver Side Upright	1	EVO-12411	1
Crossmembers	2	EVO-12413	1
Hardware	3	EVO-770087	1
Passenger Side Upright	4	EVO-12415	1



Note: Leave all hardware installed loosely until end of installation.



Recommended Tools:

- Loctite
 - Standard Wrench Set
-



Safety Steps for installation

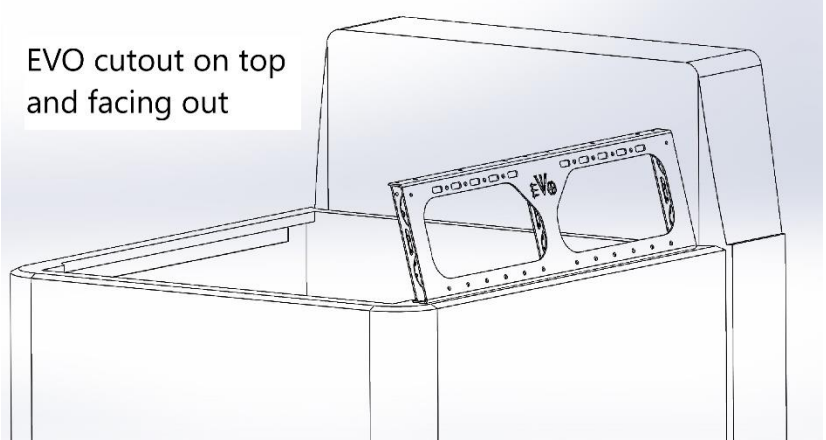
- For installing EVO MFG products always use wheel chokes to block rear tires from rolling.
 - Always make sure you have everything necessary ready before install.
 - If you have to, carefully lift front of vehicle by front frame rails extending suspension until tires leave the ground, place frame on approved jack stands for vehicle. Verify all lines/wires are not over extended.
 - Remove tires if needed for easier install.
 - Make sure to wear safety equipment (eye protection, hand protection, foot protection etc.) at all times during installation.
 - Make sure all safety precautions have been taken.
 - Always check and replace any part of vehicle that is worn or broken before starting install.
 - Do not mix anything EVO with weaker alternatives.
 - It is generally a good idea to apply liquid threadlock to all bolts.
 - Tighten included hardware to torque specifications in bottom table unless it is otherwise specified, factory bolts should be torqued to factory Jeep specifications.
-



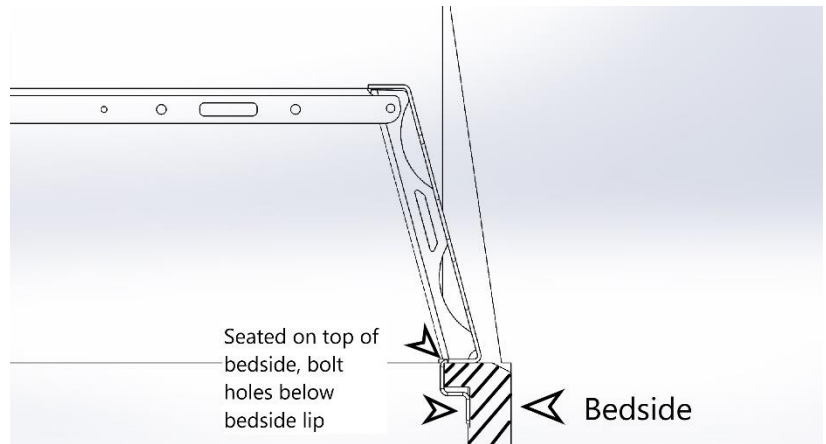


1. Place one side of EVO MFG side upright flush onto top of truck bedside, make sure the EVO cutout side of the upright is on top and facing out.

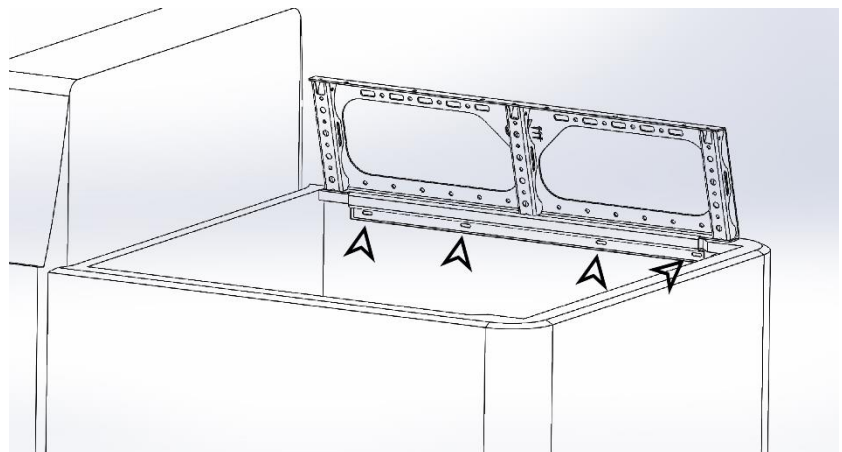
EVO cutout on top and facing out



2. Maneuver lower bracketry of upright where horizontal bend is flush on top of bedside and vertical bend is flush with inside of bedside.



3. Insert M8 washer onto all M8 bolts. With washer on bolt, bolt bed rack upright onto the side of truck bed in the 4 holes located below the top lip of the bed (as pictured) Tighten but do not torque.

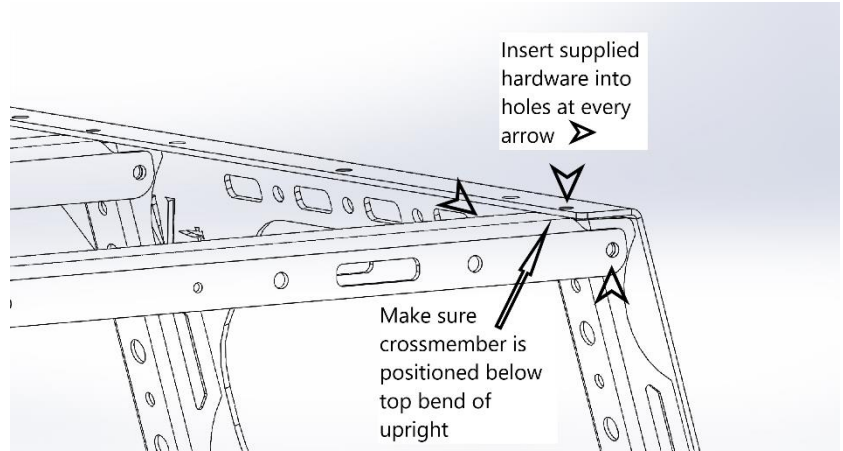


Only install one side at this time.

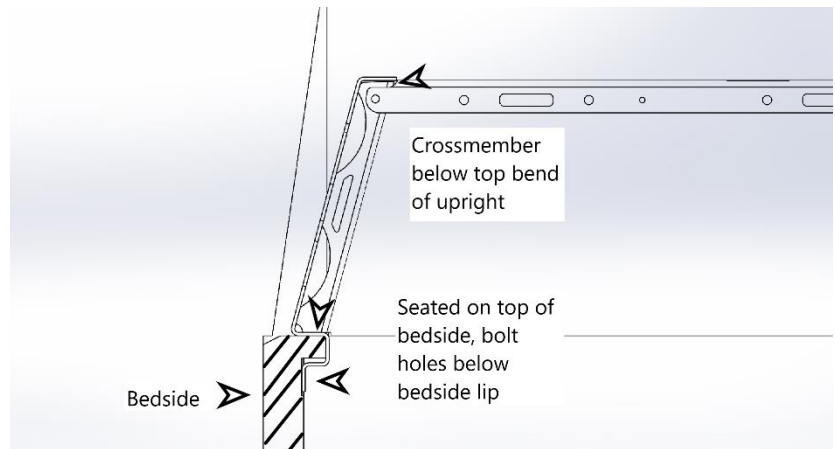


4. Assemble all cross members onto the installed upright.
5. Use the supplied hardware to loosely secure each crossmember to the upright at the three hole locations (pictured).

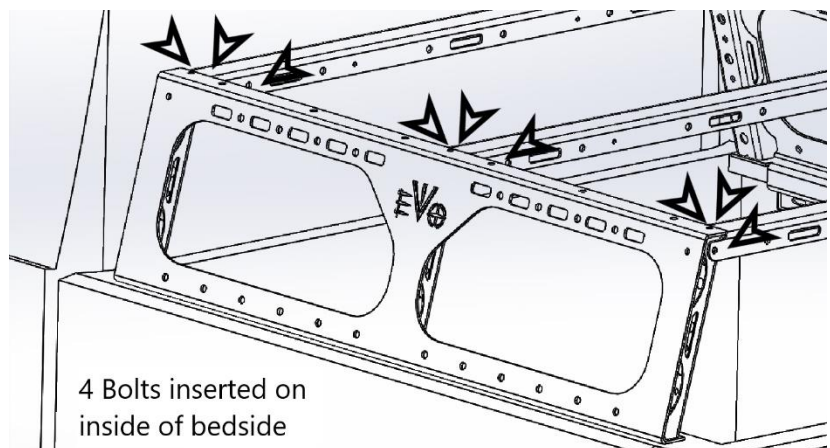
Make sure cross members are installed underneath top bend of upright. (Use picture for reference)



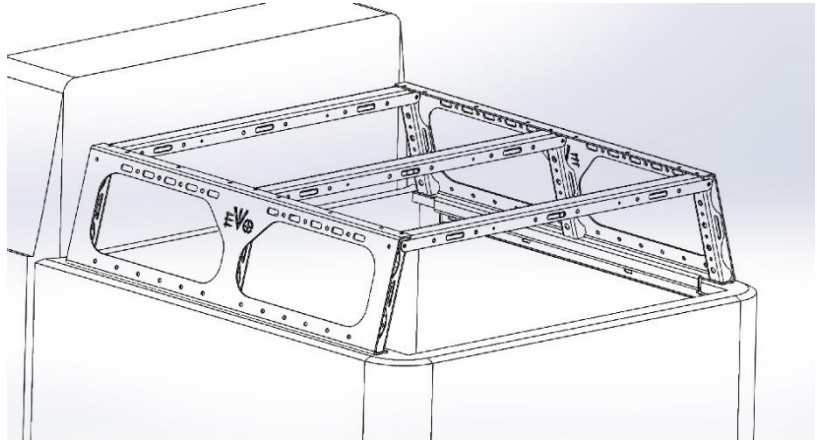
6. Insert the opposite upright where the horizontal bend at the bottom of upright sits on top of bedside and lower vertical bend is flush with inside of bedside. (pictured)
7. Attach top side of upright into crossmembers (crossmembers seated below top bend of upright) Use picture for reference.



8. Insert M8 bolts and install into the 4 bolt holes below top lip of bedside.
9. Install hardware into the three holes in each crossmember to marry the crossmembers to the upright.



10. With all bolts loosely installed, manipulate the rack until best fit is obtained.
11. Torque all hardware using specified table on last page. M8 bolts torqued to 18 ft/lbs



After Install:

- Tighten all bolts securing purchased parts to specified locations.
- After completing installation using provided instructions, go through all steps again to make sure nothing was missed, not tightened or improperly assembled.
- Some components may need to be purchased separately.
- Check turn signals, headlights, fog lights (if applicable), taillights, blinkers and windshield wipers.
- Adjust mirrors, speedometer and headlights if needed.
- Make sure all gauges are fully operational.
- Drive the vehicle slowly for a couple minutes, looking and listening for abnormal noises while driving. After modification of a vehicle there will be differences in driving experiences and capabilities, be mindful of that.
- Inspect and Retorque all Bolts after 500 miles of completed installation and regularly thereafter.
- Some modification may be required.



Recommended Torque:

Size	Grade 2		Grade 5		Grade 8		18-8 S/S	
	Coarse	Fine	Coarse	Fine	Coarse	Fine	Coarse	Fine
#4*	-	-	-	-	-	-	5.2	-
#6*	-	-	-	-	-	-	9.6	-
#8*	-	-	-	-	-	-	19.8	-
#10*	-	-	-	-	-	-	22.8	31.7
1/4	4	4.7	6.3	7.3	9	10	6.3	7.8
5/16	8	9	13	14	18	20	11	11.8
3/8	15	17	23	26	33	37	20	22
7/16	24	27	37	41	52	58	31	33
1/2	37	41	57	64	80	90	43	45
9/16	53	59	82	91	115	129	57	63
5/8	73	83	112	128	159	180	93	104
3/4	125	138	200	223	282	315	128	124
7/8	129	144	322	355	454	501	194	193
1+	188	210	483	541	682	764	287	289