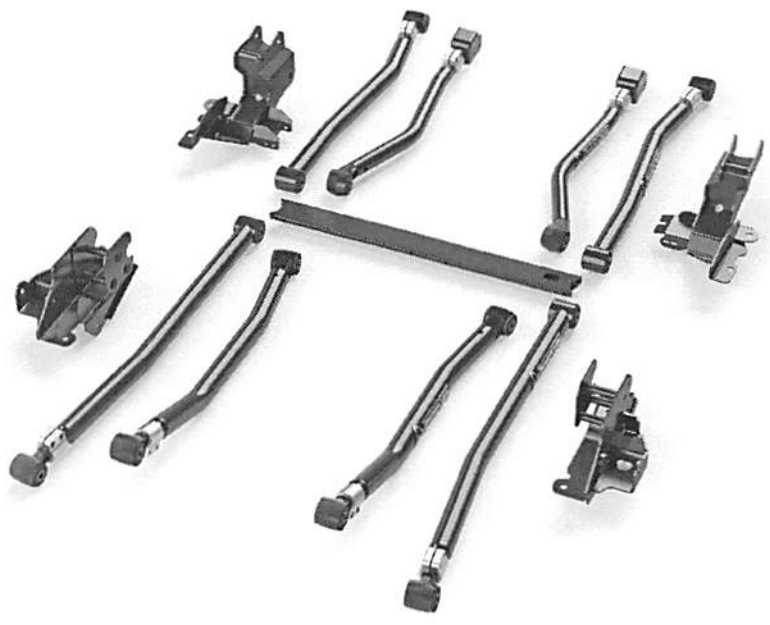




JL Alpine Long Arms and Brackets

www.TERAFLEX.com

- # 1316010
- # 1310510
- # 1316012
- # 1310512
- # 1316005
- # 1310505
- # 1958002
- # 1958000



Important Notes:

The gas tank will need to be removed. Installation of this kit is best done with as little fuel in the gas tank as possible.

Prior to beginning this install, or any installation, read the instructions thoroughly to familiarize yourself with the required steps. Evaluate if you are experienced and capable to personally perform these modifications. A factory service manual should be used in conjunction with these installation instructions.

This product will change the highway handling characteristics of your vehicle, exercise caution. After altering the suspension it is always advisable to have an alignment done by a competent 4 wheel drive shop or by an alignment shop that is experienced with lifted 4 wheel drive vehicles.

Refer to the parts list to ensure that all necessary components and hardware has been included. If any parts are missing please contact your local TeraFlex dealer for assistance.

When reinstalling OEM hardware, refer to the torque specs given in the Factory Service Manual.

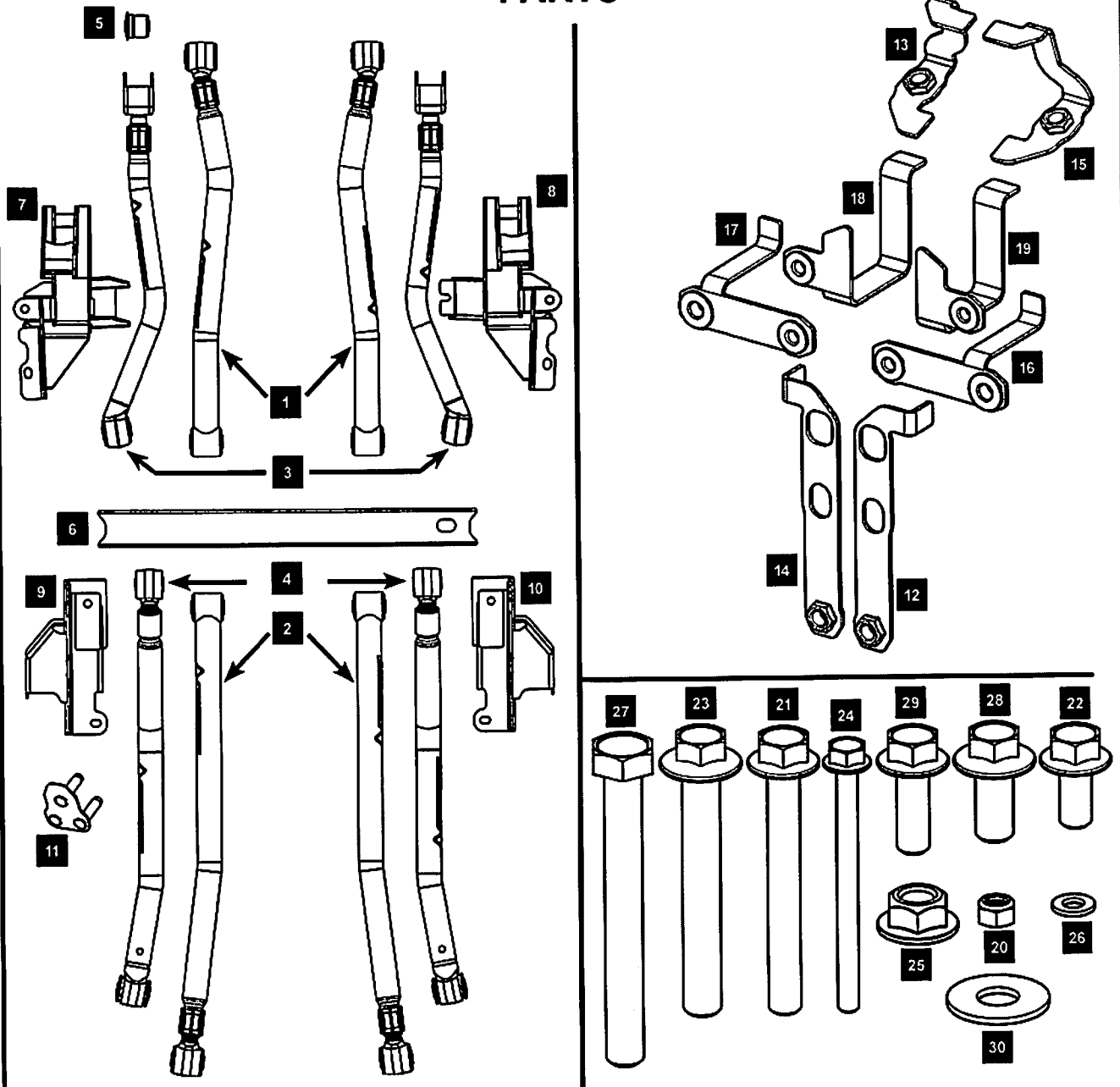
Tools Needed:

- Metric Sockets and Open End Wrenches
- Torque Wrench
- Drill and 11/16" Drill Bit
- Factory Service Manual
- General Mechanics Tools
- Cut Off Wheel / Grinder / Torch

Maintenance Note:

After the first 300 miles and every 3,000 miles after that, re-torque all the suspension components and bolts.

PARTS



NOTE:

*** IF YOU ARE INSTALLING CONTROL ARMS WITH ALPINE BUSHINGS, LOWER THE JEEP TO THE GROUND AND FINISH THE INSTALLATION BY TORQUING THE CONTROL ARM BOLTS. THE CONTROL ARM BOLTS MUST BE TORQUED WITH THE JEEP AT RIDE HEIGHT, SITTING ON ITS OWN WEIGHT.**

*** IF YOU ARE INSTALLING CONTROL ARMS WITH THE ALPINE IR BUSHINGS THE CONTROL ARM BOLTS CAN BE TORQUED WITH THE JEEP RAISED IN THE AIR.**

4 DOOR ALPINE IR

1310510 Alpine IR JL All 8 Long Arm Kit W/Long FlexArm Brackets (4 Door IR)			
Item #	Part No.	Description	QTY
	1317001	JL Alpine IR Lower Long Arm Kit	
1	1310500	Alpine IR JL Front Lower Long Arm Kit	1
2	1310540	Alpine IR JL Rear Lower Long Arm Kit	1
	1317002	JL Alpine IR Upper Long Arm Kit	
3	1310520	Alpine IR JL Front Upper Long Arm Kit	1
4	1310560	Alpine IR JL Rear Upper Long Arm Kit	1
5	611018	Front Upper Axle Revolver Rubber Bushing, Small	2
	1958000	4 Door JL Long FlexArm Bracket Kit	
6	15-11-001-031	Long Arm, JL Wrangler, Reinforcement Crossmember	1
7	15-11-001-100	Long Arm, JL Wrangler, Front / Driver / Assembly	1
8	15-11-001-200	Long Arm, JL Wrangler, Front / Passenger / Assembly	1
9	15-11-001-300	Long Arm, JL Wrangler, Rear / Driver / Assembly	1
10	15-11-001-400	Long Arm, JL Wrangler, Rear / Passenger / Assembly	1
11	15-11-001-500	Long Arm, JL Wrangler, Crush Plate Assembly	2
		Hardware	
12	47-03-002-001	Flag Nut Assy, Steel/Zinc, M14 x 2.0 / Top Lock / Long Flag/ Right Rear	1
13	47-03-002-002	Flag Nut Assy, Steel/ Zinc, M14 x 2.0/ Top Lock/ Short Flag/ Right Rear	1
14	47-03-002-003	Flag Nut Assy, Steel / Zinc, M14 x 2.0/ Top Lock/ Long Flag/ Left Rear	1
15	47-03-002-004	Flag Nut Assy, Steel / Zinc, M14 x 2.0 / Top Lock / Short Flag / Left Rear	1
16	47-03-002-005	Flag Nut Assy, Steel / Zinc, M14 x 2.0 / Top Lock / Long Flag / Left Front	1
17	47-03-002-006	Flag Nut Assy, Steel / Zinc, M14 x 2.0 / Top Lock / Long Flag / Right Front	1
18	47-03-002-007	Flag Nut Assy, Steel / Zinc, M12 x 1.75 / Top Lock / Short Flag / Left Front	1
19	47-03-002-008	Flag Nut Assy, Steel / Zinc, M12 x 1.75 / Top Lock / Short Flag / Right Front	1
	5103	Hardware Pack, Long Arm Front Brackets, Jeep JL Wrangler, 4 Door	
20	169	Nut M8 x 1.25 pitch Nylock Hex zinc	4
21	221	Bolt M12 x 1.75 x 100mm Long Grade 10.9 Flanged Hex Head	2
22	45-02-003-013	Hex Flange Bolt, Alloy Steel / Yellow Zinc, M12 x 1.75 x 25mm	2
23	45-02-003-019	Hex Flange Bolt, Alloy Steel/ Yellow Zinc, M14 x 2.0 x 100mm	4
24	45-02-003-024	Hex Flange Bolt, Alloy Steel / Yellow Zinc, M8 x 1.25 x 100mm	4
25	45-08-003-003	Flange Top Lock Nut, Alloy Steel/Yellow Zinc, M14 x 2.0mm	2
26	11403	Washer, M8 x 16mm OD, Zinc Coating	4
	5102	Hardware Pack, Long Arm Rear Brackets, Jeep JL Wrangler	
23	45-02-003-019	Hex Flange Bolt, Alloy Steel/ Yellow Zinc, M14 x 2.0 x 100mm	2
27	45-02-003-021	Hex Head Bolt, Alloy Steel/ Yellow Zinc, M14 x 2.0 x 120mm	2
28	45-02-003-022	Hex Flange Bolt, Alloy Steel/ Yellow Zinc, M14 x 2.0 x 30mm	2
29	45-02-003-023	Hex Flange Bolt, Alloy Steel/ Yellow Zinc, M12 x 1.75 x 35mm	6
25	45-08-003-003	Flange Top Lock Nut, Alloy Steel/Yellow Zinc, M14 x 2.0mm	2
30	45-10-003-004	Washer 9/16" Flat Zinc Plated	2

4 DOOR ALPINE

1316010 Alpine JL All 8 Long Arm Kit W/Long FlexArm Brackets (4 Door Alpine)			
Item #	Part No.	Description	QTY
	1316001	JL Alpine Lower Long Arm Kit	
1	1316500	Alpine JL Front Lower Long Arm Kit	1
2	1316540	Alpine JL Rear Lower Long Arm Kit	1
	1316002	JL Alpine Upper Long Arm Kit	
3	1316520	Alpine JL Front Upper Long Arm Kit	1
4	1316560	Alpine JL Rear Upper Long Arm Kit	1
	1958000	4 Door JL Long FlexArm Bracket Kit	
6	15-11-001-031	Long Arm, JL Wrangler, Reinforcement Crossmember	1
7	15-11-001-100	Long Arm, JL Wrangler, Front / Driver / Assembly	1
8	15-11-001-200	Long Arm, JL Wrangler, Front / Passenger / Assembly	1
9	15-11-001-300	Long Arm, JL Wrangler, Rear / Driver / Assembly	1
10	15-11-001-400	Long Arm, JL Wrangler, Rear / Passenger / Assembly	1
11	15-11-001-500	Long Arm, JL Wrangler, Crush Plate Assembly	2
		Hardware	
12	47-03-002-001	Flag Nut Assy, Steel/Zinc, M14 x 2.0 / Top Lock / Long Flag/ Right Rear	1
13	47-03-002-002	Flag Nut Assy, Steel/ Zinc, M14 x 2.0/ Top Lock/ Short Flag/ Right Rear	1
14	47-03-002-003	Flag Nut Assy, Steel / Zinc, M14 x 2.0/ Top Lock/ Long Flag/ Left Rear	1
15	47-03-002-004	Flag Nut Assy, Steel / Zinc, M14 x 2.0 / Top Lock / Short Flag / Left Rear	1
16	47-03-002-005	Flag Nut Assy, Steel / Zinc, M14 x 2.0 / Top Lock / Long Flag / Left Front	1
17	47-03-002-006	Flag Nut Assy, Steel / Zinc, M14 x 2.0 / Top Lock / Long Flag / Right Front	1
18	47-03-002-007	Flag Nut Assy, Steel / Zinc, M12 x 1.75 / Top Lock / Short Flag / Left Front	1
19	47-03-002-008	Flag Nut Assy, Steel / Zinc, M12 x 1.75 / Top Lock / Short Flag / Right Front	1
	5103	Hardware Pack, Long Arm Front Brackets, Jeep JL Wrangler, 4 Door	
20	169	Nut M8 x 1.25 pitch Nylock Hex zinc	4
21	221	Bolt M12 x 1.75 x 100mm Long Grade 10.9 Flanged Hex Head	2
22	45-02-003-013	Hex Flange Bolt, Alloy Steel / Yellow Zinc, M12 x 1.75 x 25mm	2
23	45-02-003-019	Hex Flange Bolt, Alloy Steel/ Yellow Zinc, M14 x 2.0 x 100mm	4
24	45-02-003-024	Hex Flange Bolt, Alloy Steel / Yellow Zinc, M8 x 1.25 x 100mm	4
25	45-08-003-003	Flange Top Lock Nut, Alloy Steel/Yellow Zinc, M14 x 2.0mm	2
26	11403	Washer, M8 x 16mm OD, Zinc Coating	4
	5102	Hardware Pack, Long Arm Rear Brackets, Jeep JL Wrangler	
23	45-02-003-019	Hex Flange Bolt, Alloy Steel/ Yellow Zinc, M14 x 2.0 x 100mm	2
27	45-02-003-021	Hex Head Bolt, Alloy Steel/ Yellow Zinc, M14 x 2.0 x 120mm	2
28	45-02-003-022	Hex Flange Bolt, Alloy Steel/ Yellow Zinc, M14 x 2.0 x 30mm	2
29	45-02-003-023	Hex Flange Bolt, Alloy Steel/ Yellow Zinc, M12 x 1.75 x 35mm	6
25	45-08-003-003	Flange Top Lock Nut, Alloy Steel/Yellow Zinc, M14 x 2.0mm	2
30	45-10-003-004	Washer 9/16" Flat Zinc Plated	2

2 DOOR ALPINE IR

1310512 Alpine IR JL 2Dr All 8 Long Arm Kit W/long FlexArm Brackets (2 Door IR)			
Item #	Part No.	Description	QTY
	1317001	JL Alpine IR Lower Long Arm Kit	
1	1310500	Alpine IR JL Front Lower Long Arm Kit	1
2	1310540	Alpine IR JL Rear Lower Long Arm Kit	1
	1317002	JL Alpine IR Upper Long Arm Kit	
3	1310520	Alpine IR JL Front Upper Long Arm Kit	1
4	1310560	Alpine IR JL Rear Upper Long Arm Kit	1
5	611018	Front Upper Axle Revolver Rubber Bushing, Small	2
	1958002	2 Door JL Long FlexArm Bracket Kit	
6	15-11-001-031	Long Arm, JL Wrangler, Reinforcement Crossmember	1
7	15-11-001-100	Long Arm, JL Wrangler, Front / Driver / Assembly	1
8	15-11-002-200	Long Arm, JL Wrangler, 2 Door/ Front / Passenger / Assembly	1
9	15-11-001-300	Long Arm, Jeep JL Wrangler, Rear / Driver / Assembly	1
10	15-11-001-400	Long Arm, Jeep JL Wrangler, Rear / Passenger / Assembly	1
11	15-11-001-500	Long Arm, Jeep JL Wrangler, Crush Plate Assembly	2
		Hardware	
12	47-03-002-001	Flag Nut Assy, Steel/Zinc, M14 x 2.0 / Top Lock / Long Flag/ Right Rear	1
13	47-03-002-002	Flag Nut Assy, Steel/ Zinc, M14 x 2.0/ Top Lock/ Short Flag/ Right Rear	1
14	47-03-002-003	Flag Nut Assy, Steel / Zinc, M14 x 2.0/ Top Lock/ Long Flag/ Left Rear	1
15	47-03-002-004	Flag Nut Assy, Steel / Zinc, M14 x 2.0 / Top Lock / Short Flag / Left Rear	1
16	47-03-002-005	Flag Nut Assy, Steel / Zinc, M14 x 2.0 / Top Lock / Long Flag / Left Front	1
17	47-03-002-006	Flag Nut Assy, Steel / Zinc, M14 x 2.0 / Top Lock / Long Flag / Right Front	1
18	47-03-002-007	Flag Nut Assy, Steel / Zinc, M12 x 1.75 / Top Lock / Short Flag / Left Front	1
19	47-03-002-008	Flag Nut Assy, Steel / Zinc, M12 x 1.75 / Top Lock / Short Flag / Right Front	1
	5101	Hardware Pack, Long Arm Front Brackets, Jeep JL Wrangler, 2 Door	
20	169	Nut M8 x 1.25 pitch Nylock Hex zinc	4
21	221	Bolt M12 x 1.75 x 100mm Long Grade 10.9 Flanged Hex Head	2
22	45-02-003-013	Hex Flange Bolt, Alloy Steel / Yellow Zinc, M12 x 1.75 x 25mm	1
23	45-02-003-019	Hex Flange Bolt, Alloy Steel/ Yellow Zinc, M14 x 2.0 x 100mm	4
24	45-02-003-024	Hex Flange Bolt, Alloy Steel / Yellow Zinc, M8 x 1.25 x 100mm	4
25	45-08-003-003	Flange Top Lock Nut, Alloy Steel/Yellow Zinc, M14 x 2.0mm	2
26	11403	Washer, M8 x 16mm OD, Zinc Coating	4
	5102	Hardware Pack, Long Arm Rear Brackets, Jeep JL Wrangler	
23	45-02-003-019	Hex Flange Bolt, Alloy Steel/ Yellow Zinc, M14 x 2.0 x 100mm	2
27	45-02-003-021	Hex Head Bolt, Alloy Steel/ Yellow Zinc, M14 x 2.0 x 120mm	2
28	45-02-003-022	Hex Flange Bolt, Alloy Steel/ Yellow Zinc, M14 x 2.0 x 30mm	2
29	45-02-003-023	Hex Flange Bolt, Alloy Steel/ Yellow Zinc, M12 x 1.75 x 35mm	6
25	45-08-003-003	Flange Top Lock Nut, Alloy Steel/Yellow Zinc, M14 x 2.0mm	2
30	45-10-003-004	Washer 9/16" Flat Zinc Plated	2

2 DOOR ALPINE

1316012 Alpine JL 2Dr All 8 Long Arm Kit W/long FlexArm Brackets (2 Door Alpine)			
Item #	Part No.	Description	QTY
	1316001	JL Alpine Lower Long Arm Kit	
1	1316500	Alpine JL Front Lower Long Arm Kit	1
2	1316540	Alpine JL Rear Lower Long Arm Kit	1
	1316002	JL Alpine Upper Long Arm Kit	
3	1316520	Alpine JL Front Upper Long Arm Kit	1
4	1316560	Alpine JL Rear Upper Long Arm Kit	1
	1958002	2 Door JL Long FlexArm Bracket Kit	
6	15-11-001-031	Long Arm, JL Wrangler, Reinforcement Crossmember	1
7	15-11-001-100	Long Arm, JL Wrangler, Front / Driver / Assembly	1
8	15-11-002-200	Long Arm, JL Wrangler, 2 Door/ Front / Passenger / Assembly	1
9	15-11-001-300	Long Arm, Jeep JL Wrangler, Rear / Driver / Assembly	1
10	15-11-001-400	Long Arm, Jeep JL Wrangler, Rear / Passenger / Assembly	1
11	15-11-001-500	Long Arm, Jeep JL Wrangler, Crush Plate Assembly	2
		Hardware	
12	47-03-002-001	Flag Nut Assy, Steel/Zinc, M14 x 2.0 / Top Lock / Long Flag/ Right Rear	1
13	47-03-002-002	Flag Nut Assy, Steel/ Zinc, M14 x 2.0/ Top Lock/ Short Flag/ Right Rear	1
14	47-03-002-003	Flag Nut Assy, Steel / Zinc, M14 x 2.0/ Top Lock/ Long Flag/ Left Rear	1
15	47-03-002-004	Flag Nut Assy, Steel / Zinc, M14 x 2.0 / Top Lock / Short Flag / Left Rear	1
16	47-03-002-005	Flag Nut Assy, Steel / Zinc, M14 x 2.0 / Top Lock / Long Flag / Left Front	1
17	47-03-002-006	Flag Nut Assy, Steel / Zinc, M14 x 2.0 / Top Lock / Long Flag / Right Front	1
18	47-03-002-007	Flag Nut Assy, Steel / Zinc, M12 x 1.75 / Top Lock / Short Flag / Left Front	1
19	47-03-002-008	Flag Nut Assy, Steel / Zinc, M12 x 1.75 / Top Lock / Short Flag / Right Front	1
	5101	Hardware Pack, Long Arm Front Brackets, Jeep JL Wrangler, 2 Door	
20	169	Nut M8 x 1.25 pitch Nylock Hex zinc	4
21	221	Bolt M12 x 1.75 x 100mm Long Grade 10.9 Flanged Hex Head	2
22	45-02-003-013	Hex Flange Bolt, Alloy Steel / Yellow Zinc, M12 x 1.75 x 25mm	1
23	45-02-003-019	Hex Flange Bolt, Alloy Steel/ Yellow Zinc, M14 x 2.0 x 100mm	4
24	45-02-003-024	Hex Flange Bolt, Alloy Steel / Yellow Zinc, M8 x 1.25 x 100mm	4
25	45-08-003-003	Flange Top Lock Nut, Alloy Steel/Yellow Zinc, M14 x 2.0mm	2
26	11403	Washer, M8 x 16mm OD, Zinc Coating	4
	5102	Hardware Pack, Long Arm Rear Brackets, Jeep JL Wrangler	
23	45-02-003-019	Hex Flange Bolt, Alloy Steel/ Yellow Zinc, M14 x 2.0 x 100mm	2
27	45-02-003-021	Hex Head Bolt, Alloy Steel/ Yellow Zinc, M14 x 2.0 x 120mm	2
28	45-02-003-022	Hex Flange Bolt, Alloy Steel/ Yellow Zinc, M14 x 2.0 x 30mm	2
29	45-02-003-023	Hex Flange Bolt, Alloy Steel/ Yellow Zinc, M12 x 1.75 x 35mm	6
25	45-08-003-003	Flange Top Lock Nut, Alloy Steel/Yellow Zinc, M14 x 2.0mm	2
30	45-10-003-004	Washer 9/16" Flat Zinc Plated	2

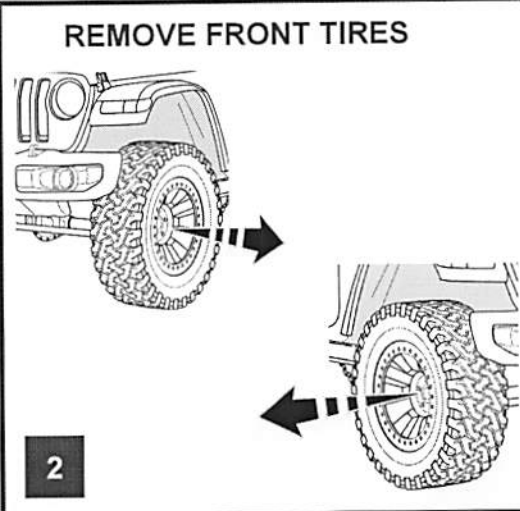
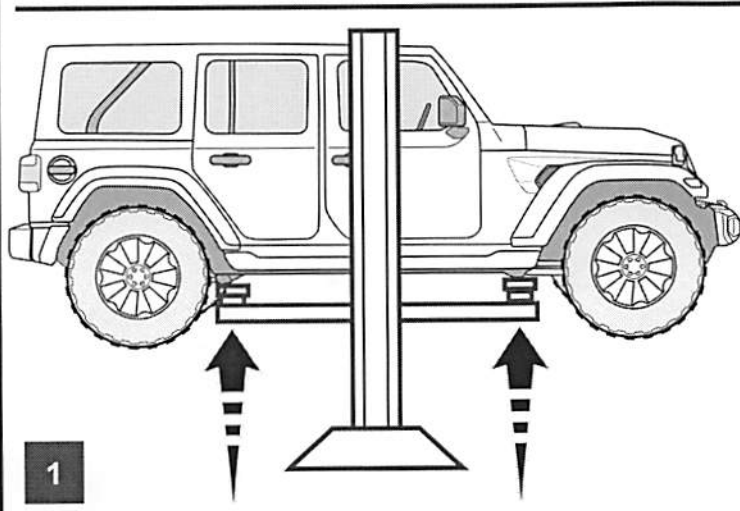
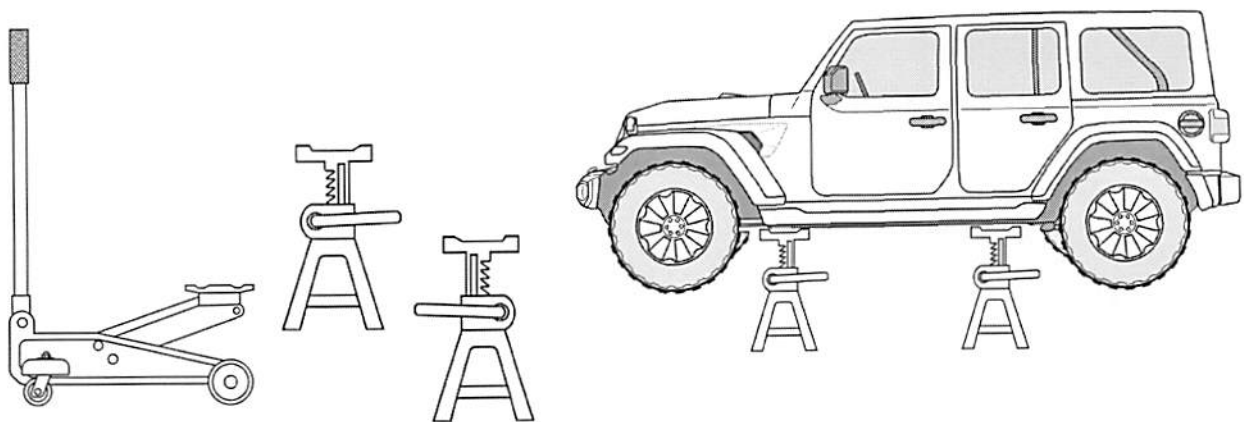
FRONT DISASSEMBLY

DISCONNECT THE BATTERY ACCORDING TO THE FACTORY SERVICE MANUAL

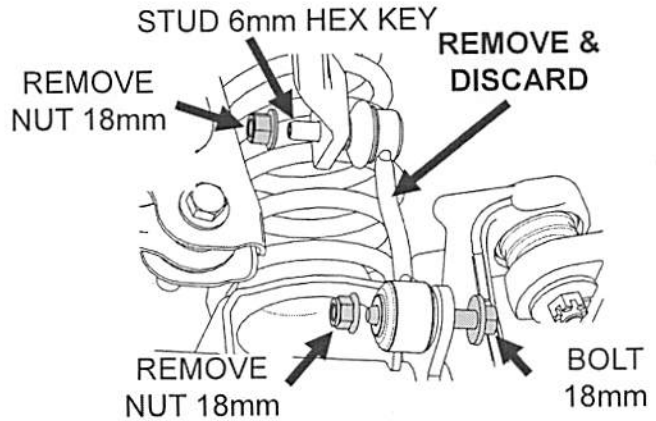
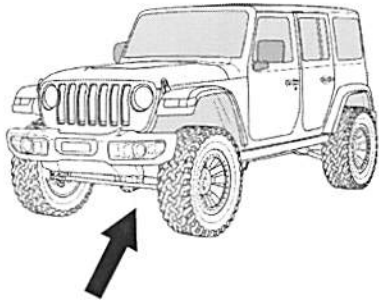
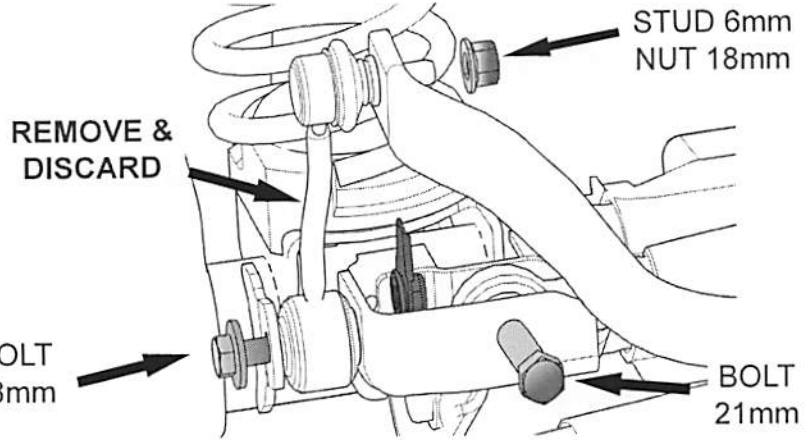
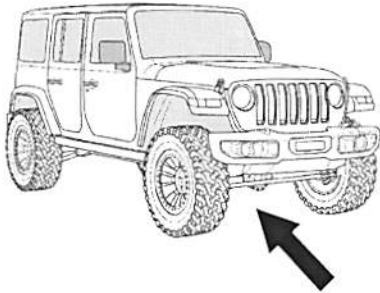
THE GAS TANK WILL NEED TO BE REMOVED IN ORDER TO INSTALL THE LONG ARM BRACKETS. REMOVAL OF THE GAS TANK IS BEST DONE WITH AS LITTLE FUEL IN THE TANK AS POSSIBLE.

YOU WILL NEED TO BE ABLE TO ACCESS SEVERAL POINTS OF THE FRAME DURING INSTALL. IF YOUR JEEP IS EQUIPED WITH OEM ROCK SLIDERS YOU CAN SUPPORT THE JEEP AT THE SLIDERS FOR EASY ACCESS TO THE FRAME. IF YOUR JEEP IS NOT EQUIPED WITH OEM ROCK SLIDERS YOU MAY NEED TO LIFT AND ADJUST YOUR SUPPORTS AT DIFFERENT TIMES DURING THE INSTALLATION.

LIFT AND SUPPORT AT FRAME



REMOVE SWAY BAR LINKS & REMOVE TRACK BAR BOLT AT AXLE



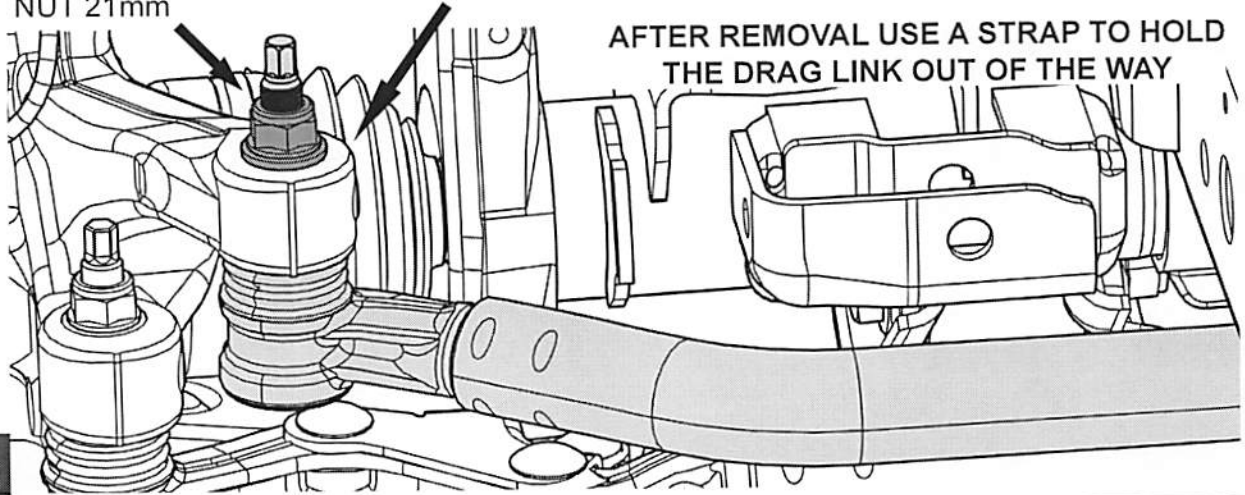
3

REMOVE THE DRAG LINK AT THE KNUCKLE

REMOVE NUT 21mm

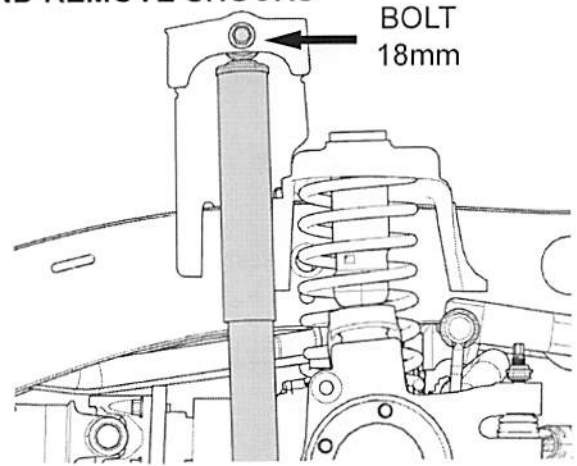
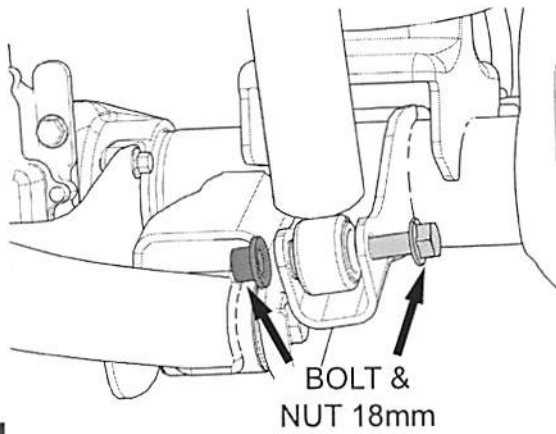
HIT WITH HAMMER TO RELEASE

AFTER REMOVAL USE A STRAP TO HOLD THE DRAG LINK OUT OF THE WAY



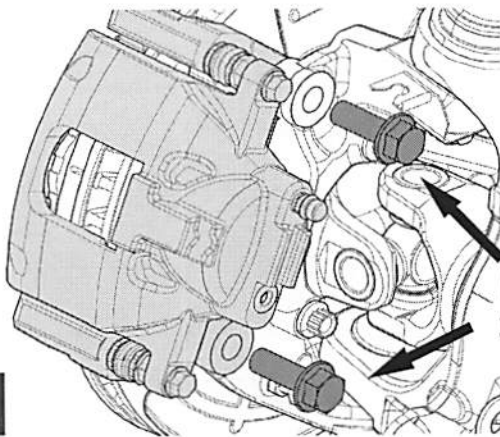
4

SUPPORT THE FRONT AXLE AND REMOVE SHOCKS



5

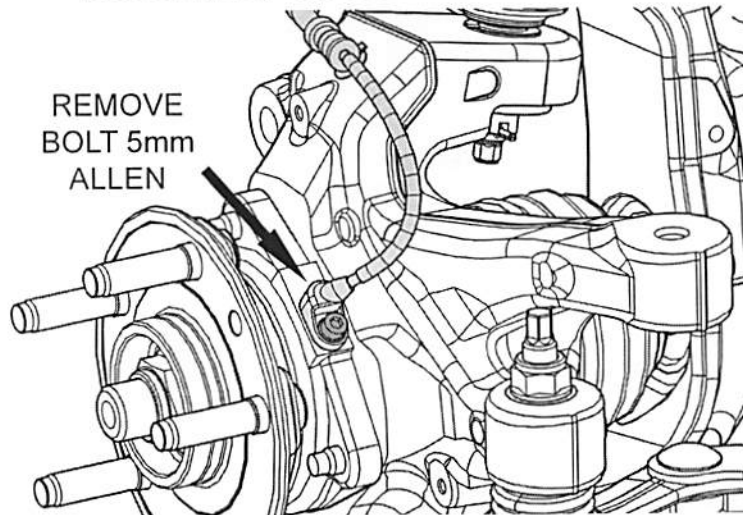
REMOVE THE FRONT CALIPERS FROM THE AXLE



DO NOT HANG THE CALIPERS BY THE BRAKE LINES

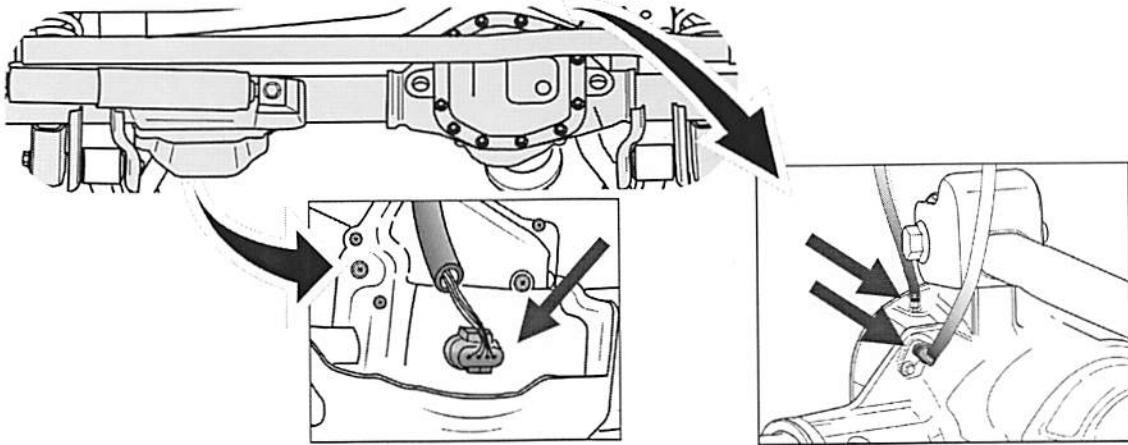
6

DISCONNECT THE ABS LINES FROM THE AXLE



7

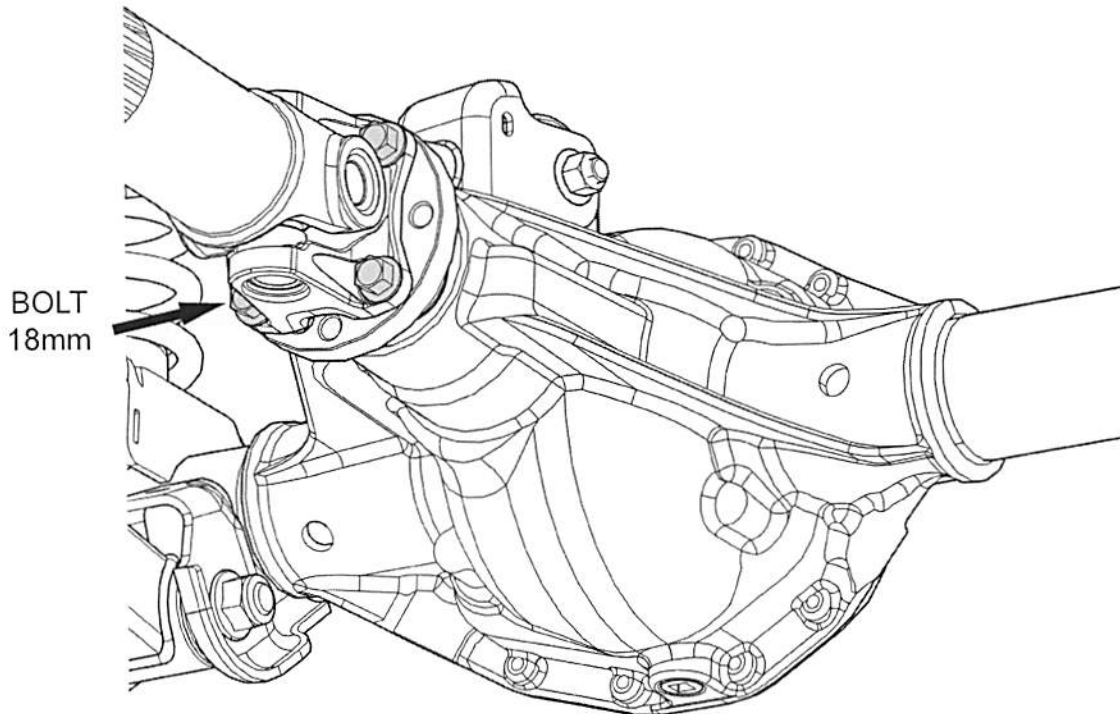
DISCONNECT ACTUATORS AND VENT HOSE AT THE FRONT AXLE



8

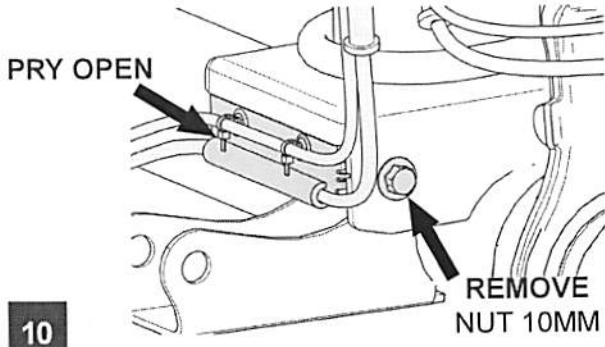
REMOVE THE FRONT DRIVE SHAFT

REMOVE THE DRIVE SHAFT AT THE AXLE AND SUPPORT THE DRIVE SHAFT OUT OF THE WAY USING A STRAP

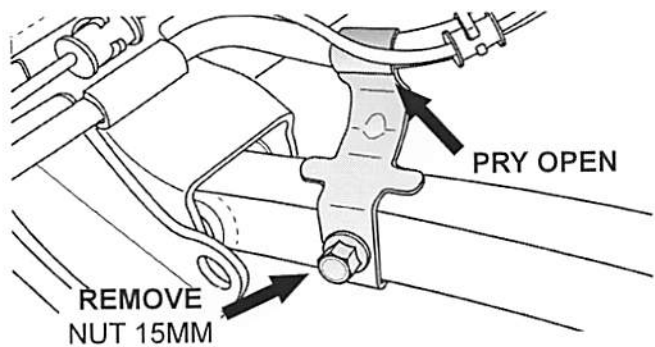


9

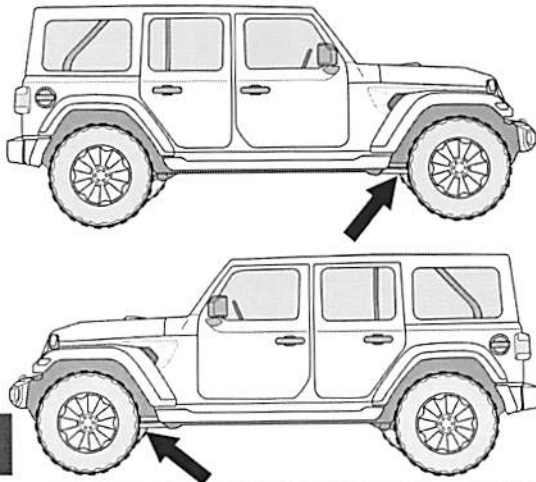
REMOVE AND DISCARD BRAKE LINE BRACKETS FROM LOWER CONTROL ARMS AND SPRING MOUNTS



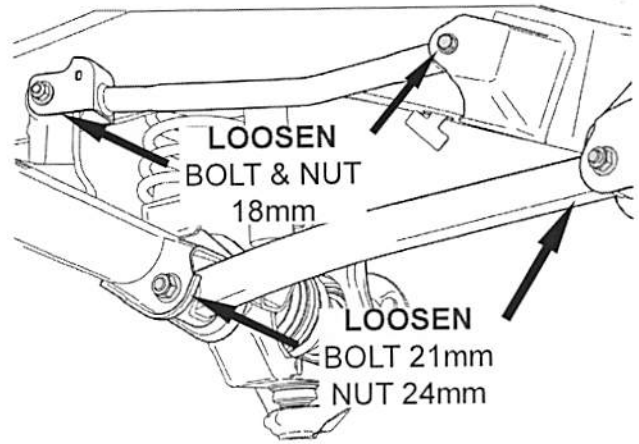
10



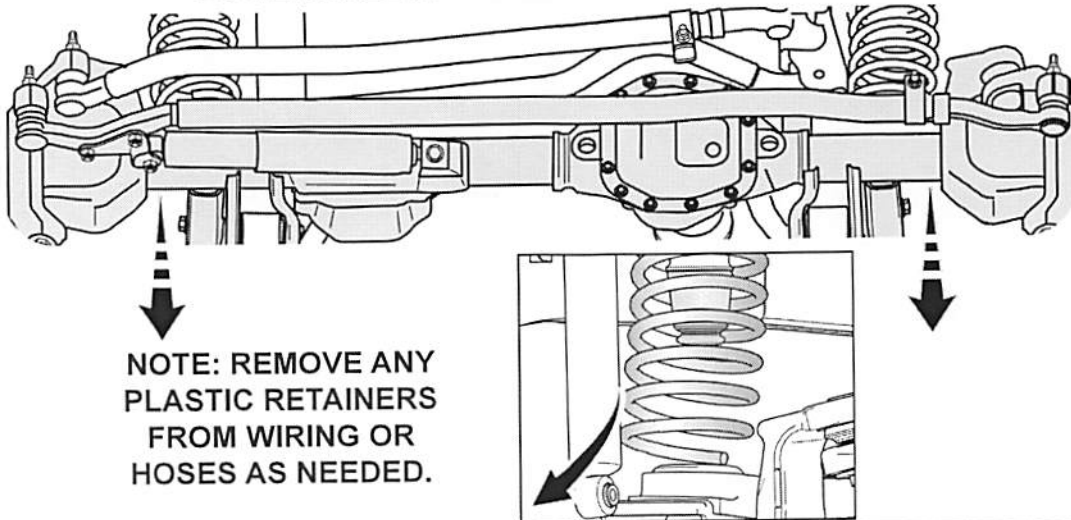
LOOSEN FRONT CONTROL ARM BOLTS DO NOT REMOVE THE CONTROL ARM BOLTS



11



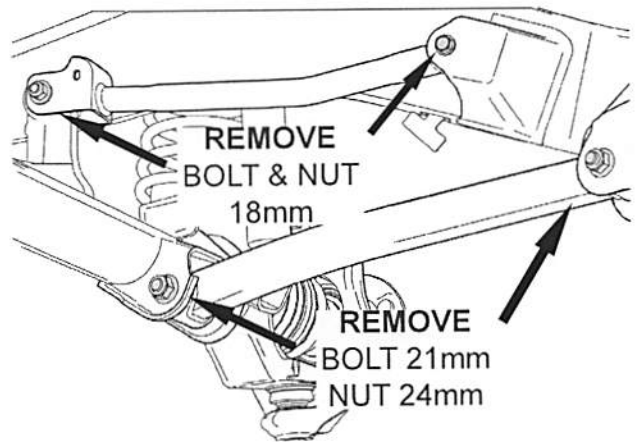
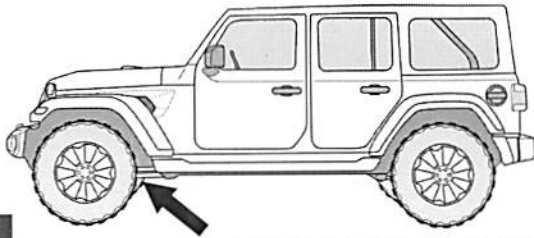
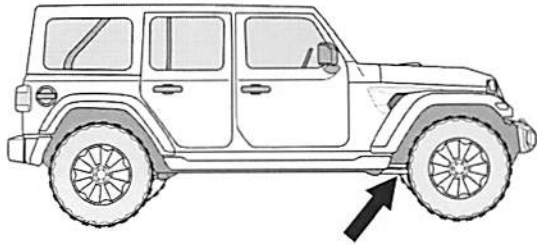
LOWER AXLE AND REMOVE FRONT SPRINGS



NOTE: REMOVE ANY PLASTIC RETAINERS FROM WIRING OR HOSES AS NEEDED.

12

SUPPORT THE FRONT AXLE AND CONTINUE BY COMPLETELY REMOVING THE FRONT CONTROL ARM BOLTS



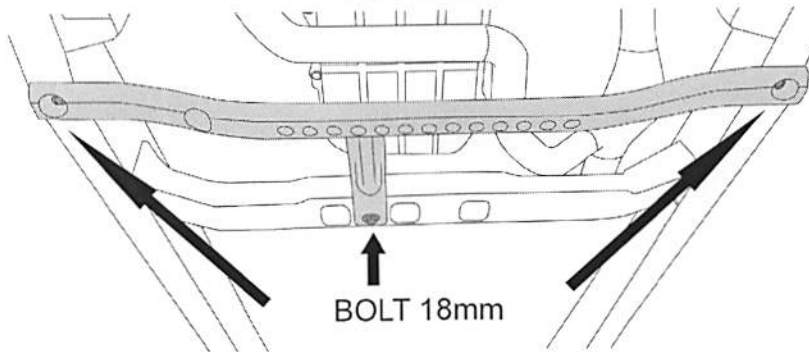
13

REMOVE AND LOWER THE AXLE OUT OF THE WAY

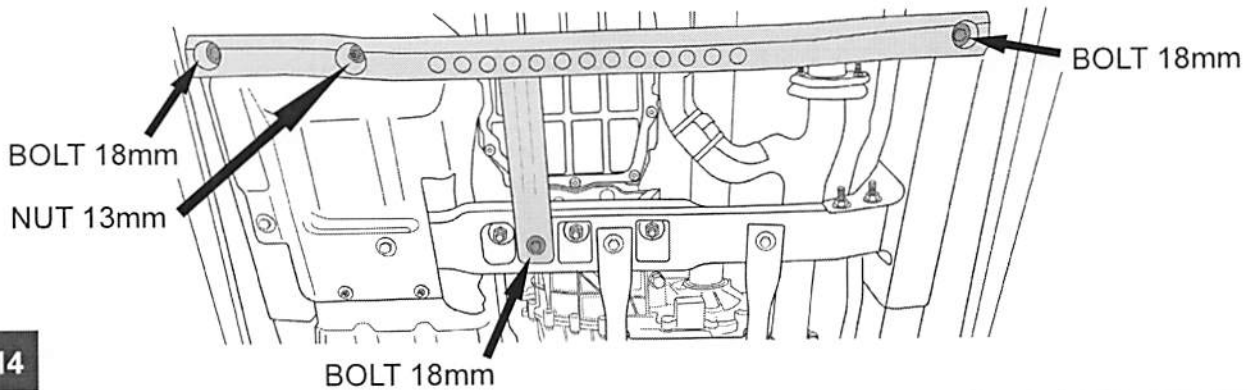
REMOVE AND DISCARD THE EXHAUST SKID PLATE

DO NOT DISCARD THE FACTORY BOLTS OR NUT. BOLTS WILL BE REUSED IN STEPS 54 AND 61

4 DOOR MODEL



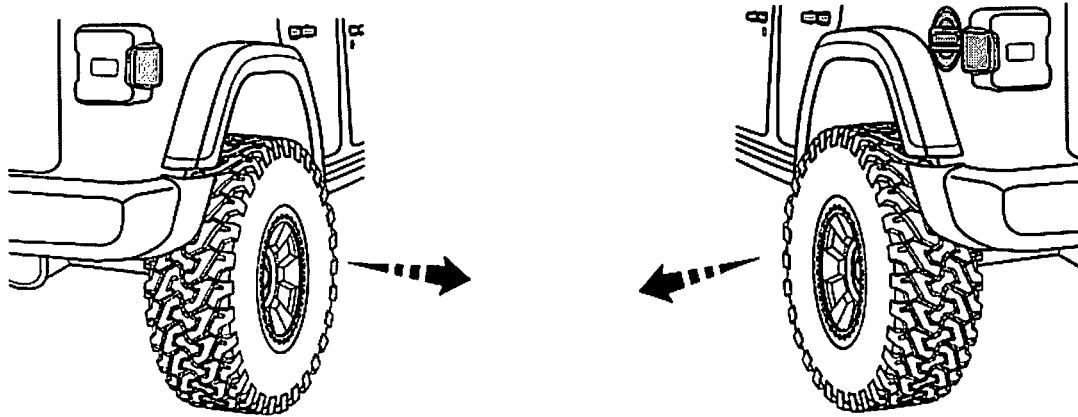
2 DOOR MODEL



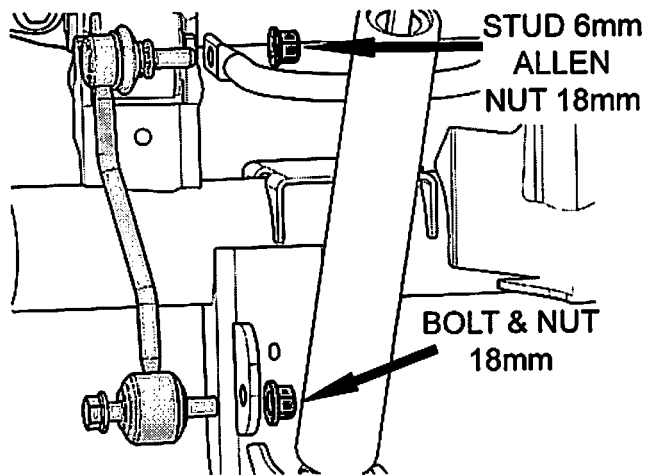
14

REAR DISASSEMBLY

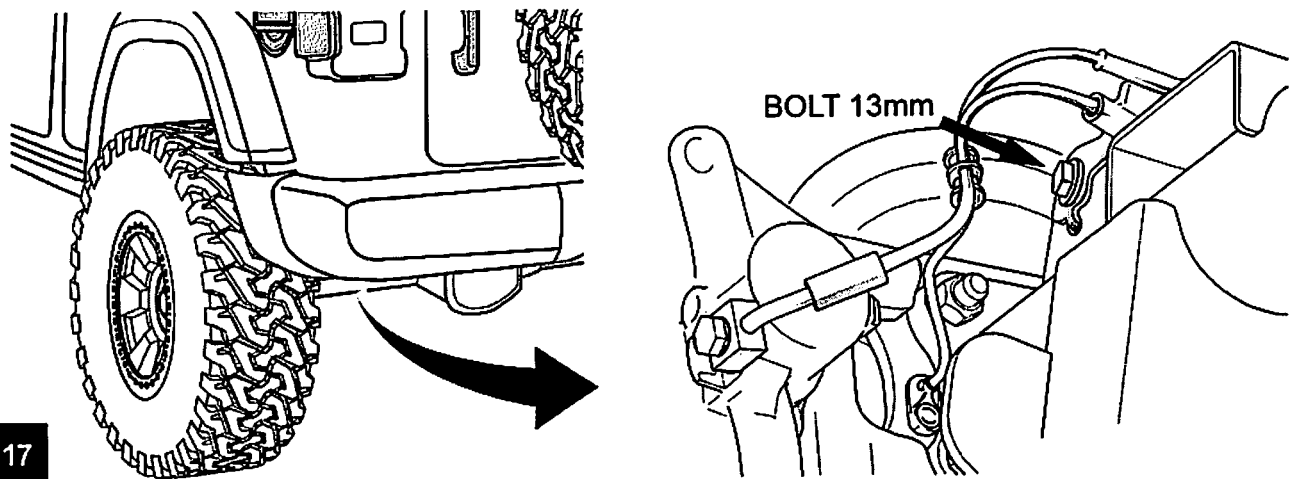
REMOVE REAR TIRES



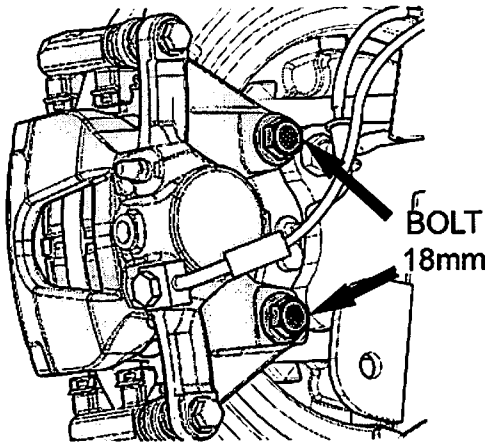
REMOVE AND DISCARD REAR SWAY BAR LINKS



REMOVE BRAKE LINE BRACKETS FROM BOTH SIDES OF THE AXLE



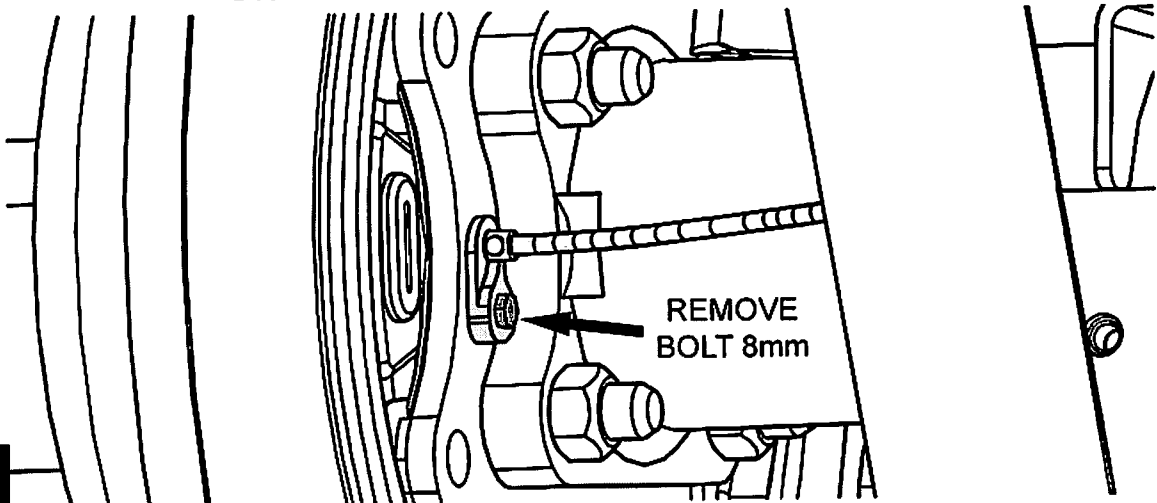
REMOVE THE REAR CALIPERS FROM THE AXLE



DO NOT HANG THE CALIPERS BY THE BRAKE LINES

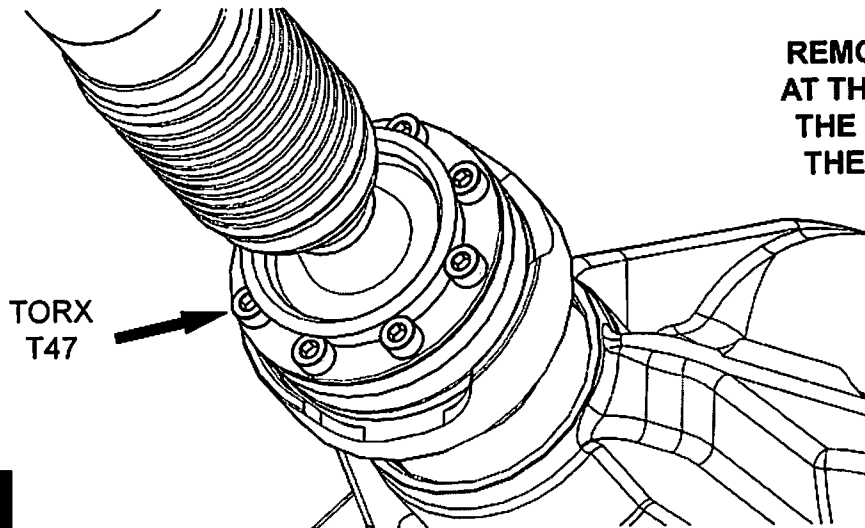
18

DISCONNECT THE ABS LINES FROM THE AXLE



19

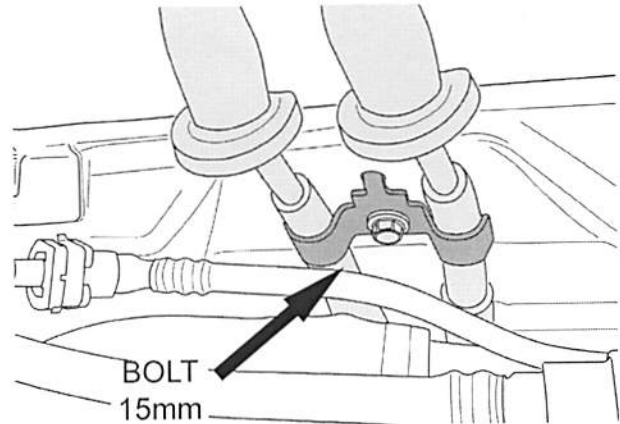
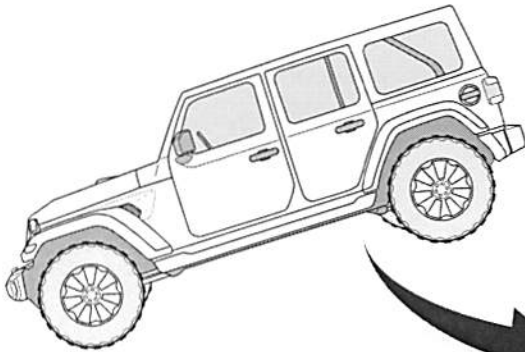
REMOVE THE REAR DRIVE SHAFT



REMOVE THE DRIVE SHAFT AT THE AXLE AND SUPPORT THE DRIVE SHAFT OUT OF THE WAY USING A STRAP

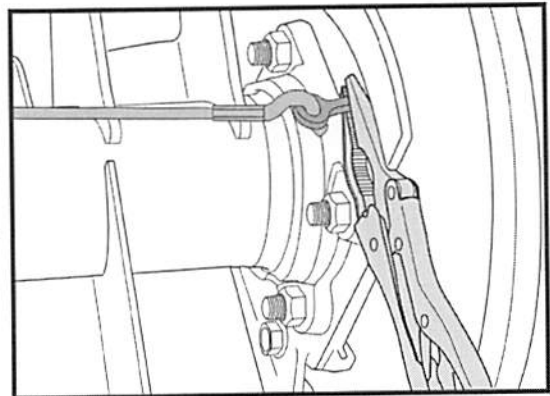
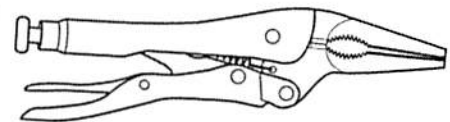
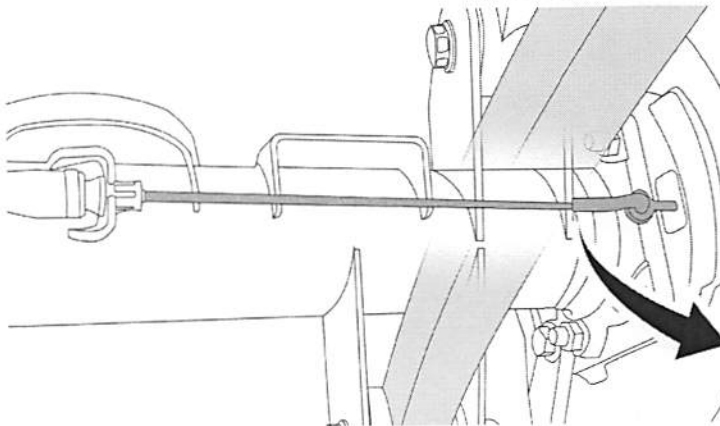
20

REMOVE E-BRAKE CABLE BRACKET AND DISCARD



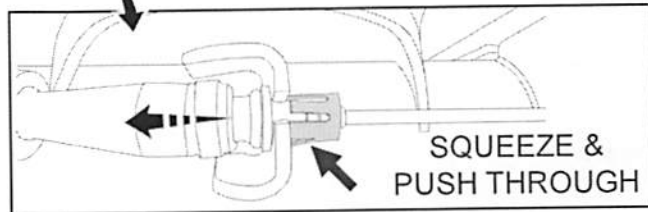
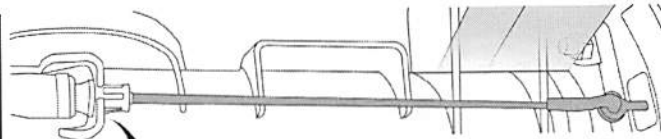
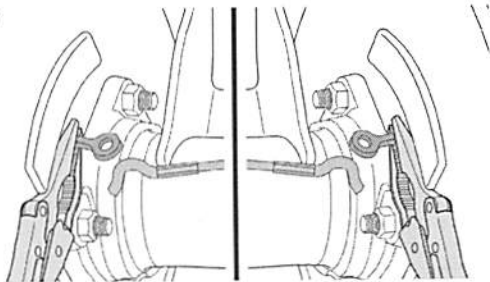
21

SET THE E-BRAKE AND CLAMP BOTH E-BRAKE EYELETS AGAINST BACKING PLATES WITH LOCKING PLIERS



22

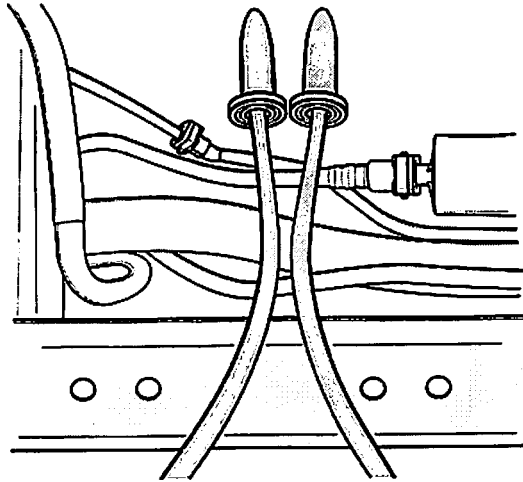
RELEASE E-BRAKE AND DISCONNECT CABLES FROM BOTH EYELETS AND AXLE BRACKETS



23

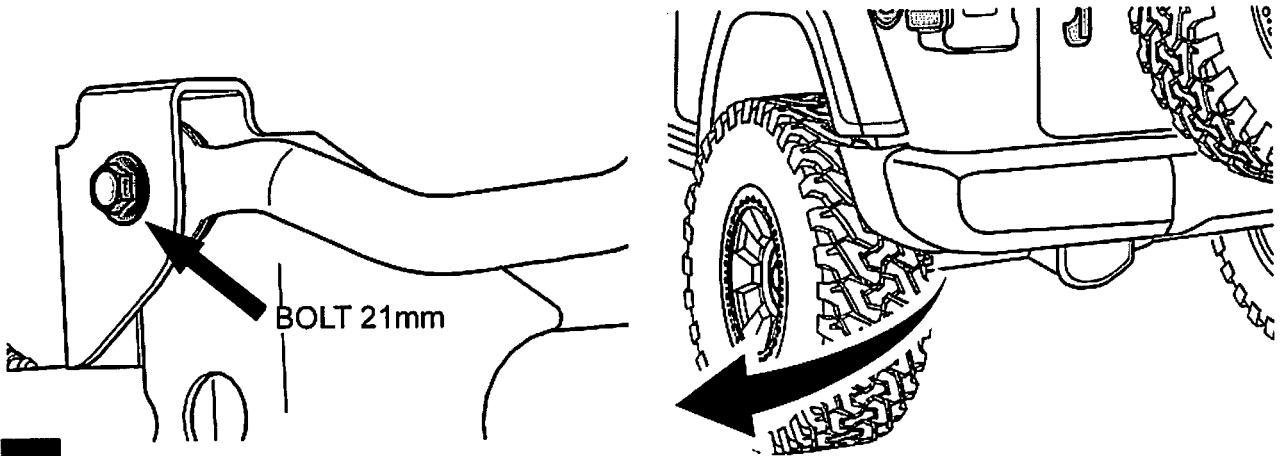
NOTE: DO NOT REMOVE LOCKING PLIERS FROM E-BRAKE EYELETS

ROUTE E-BRAKE CABLES UNDER CROSS MEMBER AND FUEL LINES.



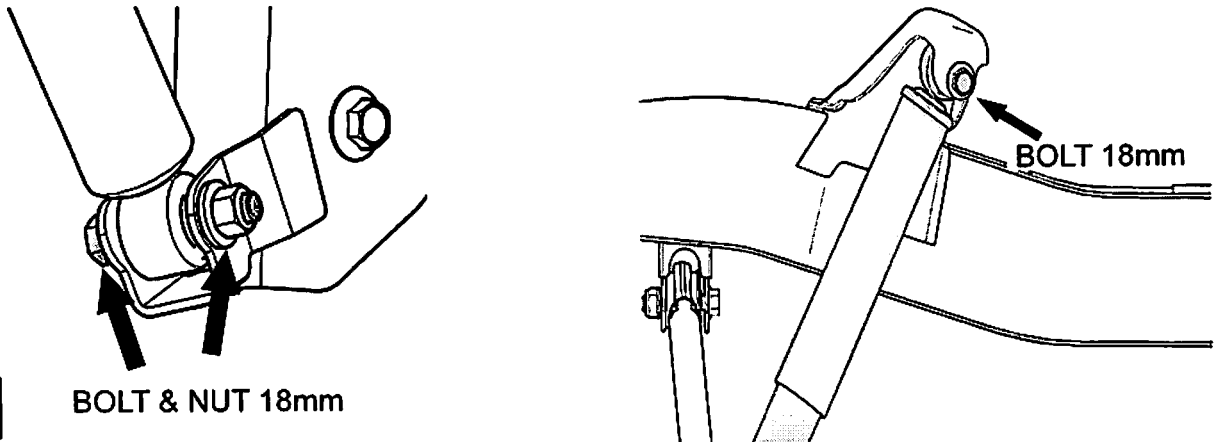
24

REMOVE THE TRACK BAR FROM THE AXLE



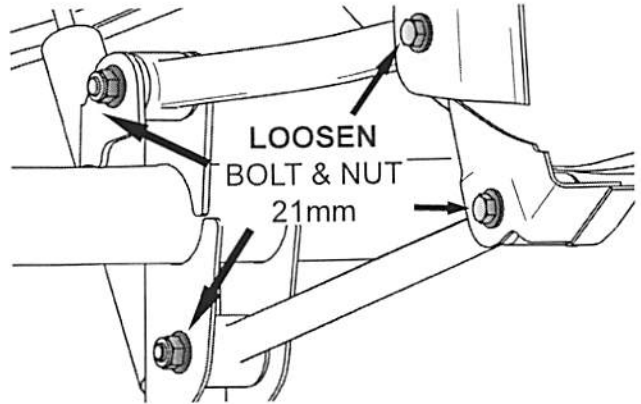
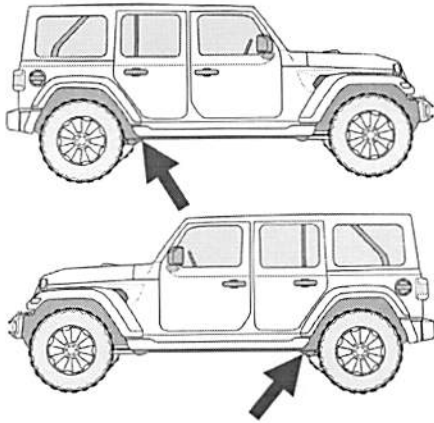
25

REMOVE THE REAR SHOCKS



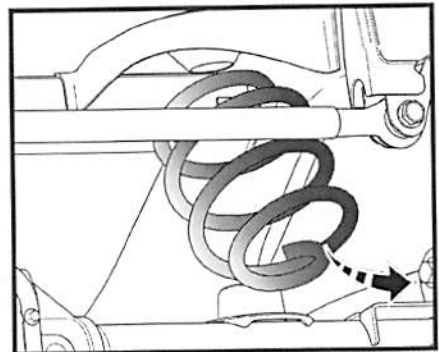
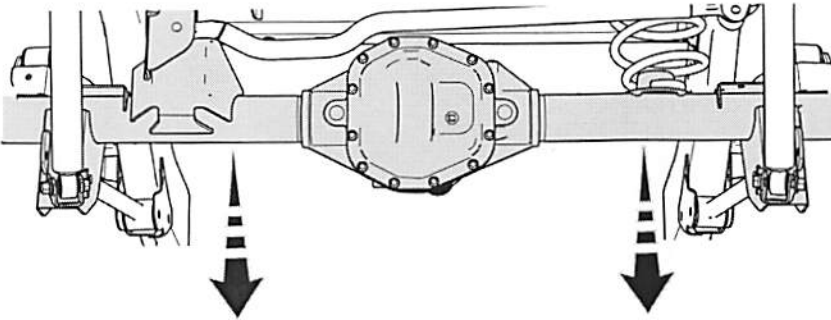
26

**LOOSEN REAR CONTROL ARM BOLTS
DO NOT REMOVE THE CONTROL ARM BOLTS**



27

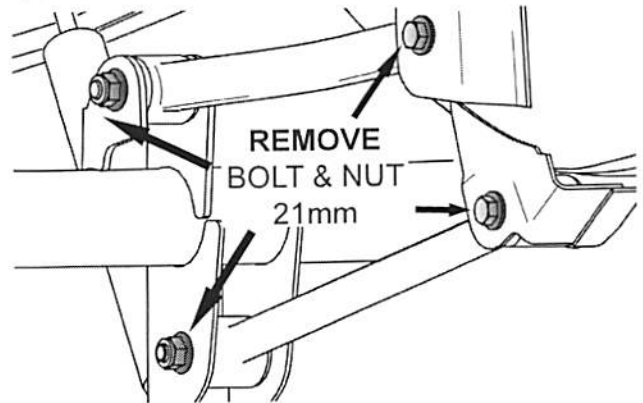
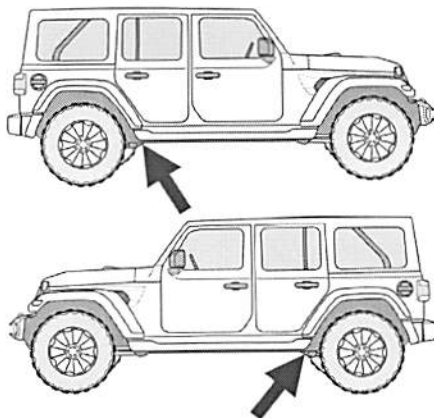
LOWER AXLE TO REMOVE REAR SPRINGS



NOTE: REMOVE ANY PLASTIC RETAINERS OR CONNECTORS FROM WIRING OR HOSES AS NEEDED.

28

SUPPORT THE REAR AXLE AND CONTINUE BY COMPLETELY REMOVING THE REAR CONTROL ARM BOLTS

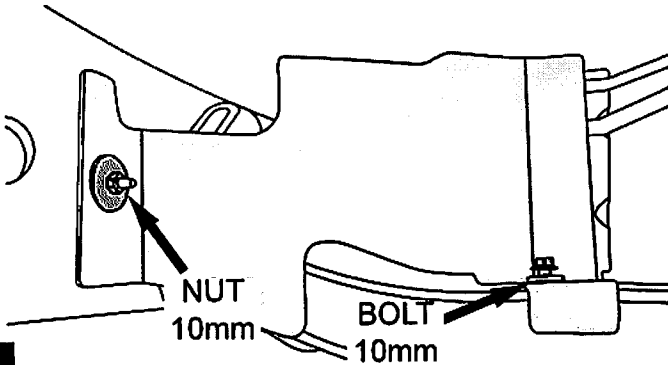


29

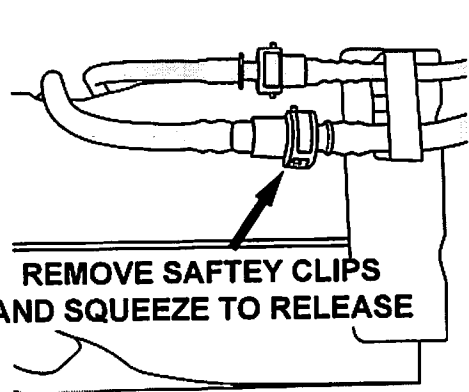
REMOVE AND LOWER THE AXLE OUT OF THE WAY

GAS TANK REMOVAL (4 DOOR)

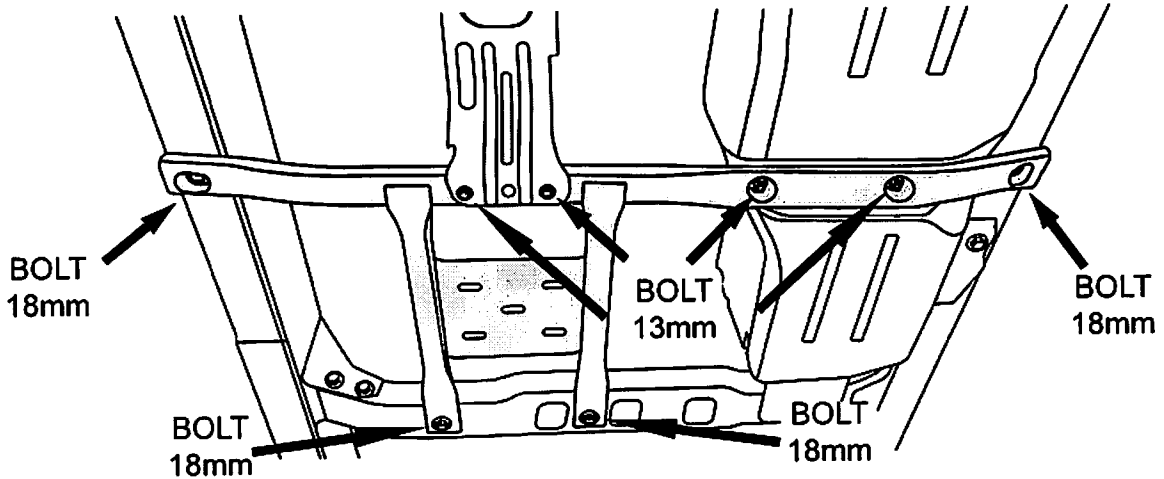
REMOVE THE FUEL LINE SHIELD AND DISCONNECT FUEL LINES



30

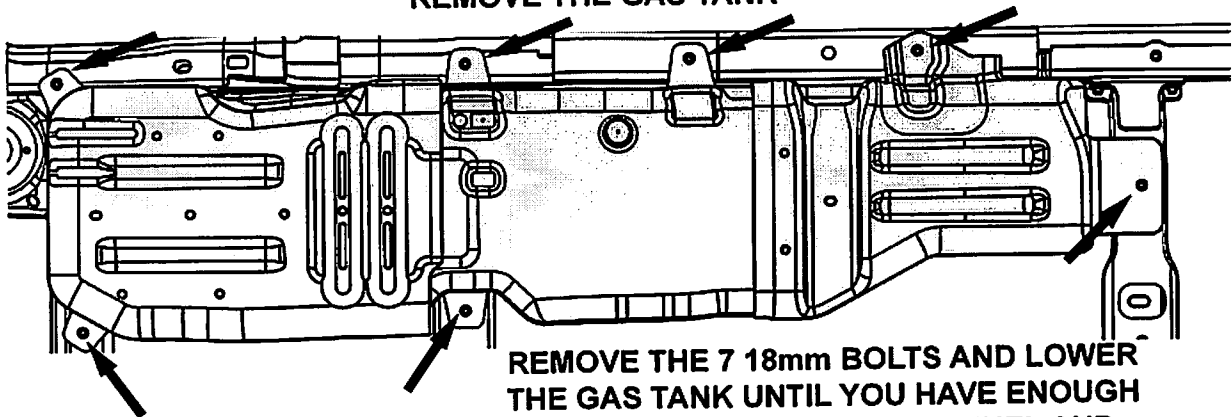


REMOVE THE TRANSMISSION SKID PLATE AND SET ASIDE



31

REMOVE THE GAS TANK

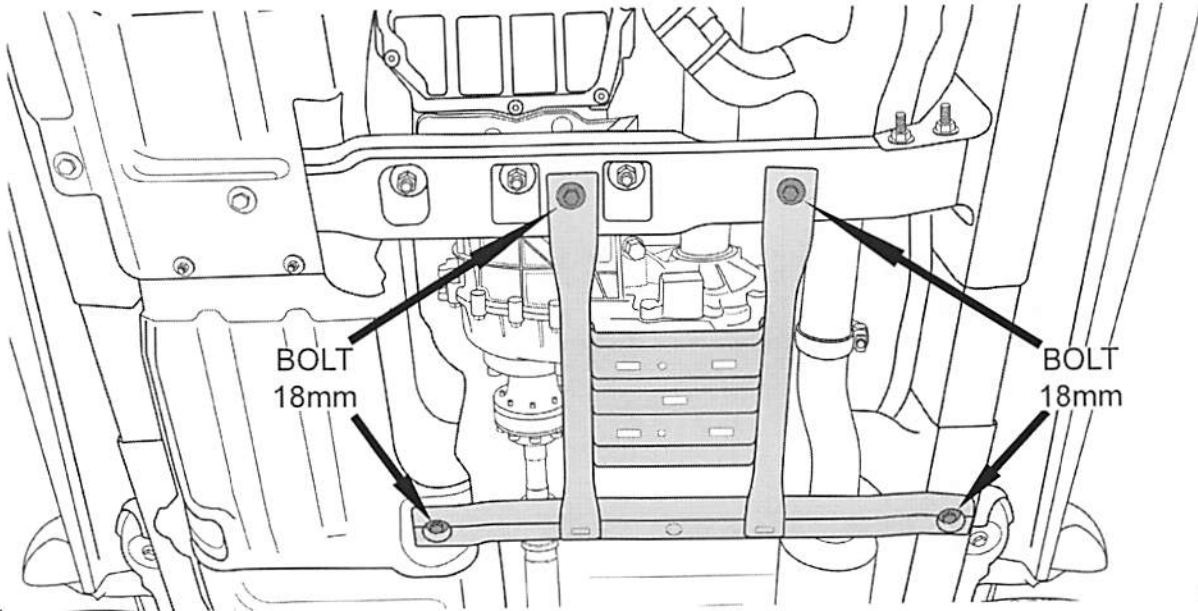


REMOVE THE 7 18mm BOLTS AND LOWER THE GAS TANK UNTIL YOU HAVE ENOUGH ROOM TO DISCONNECT ALL FUEL AND ELECTRICAL LINES FROM THE TANK

32

GAS TANK REMOVAL (2 DOOR)

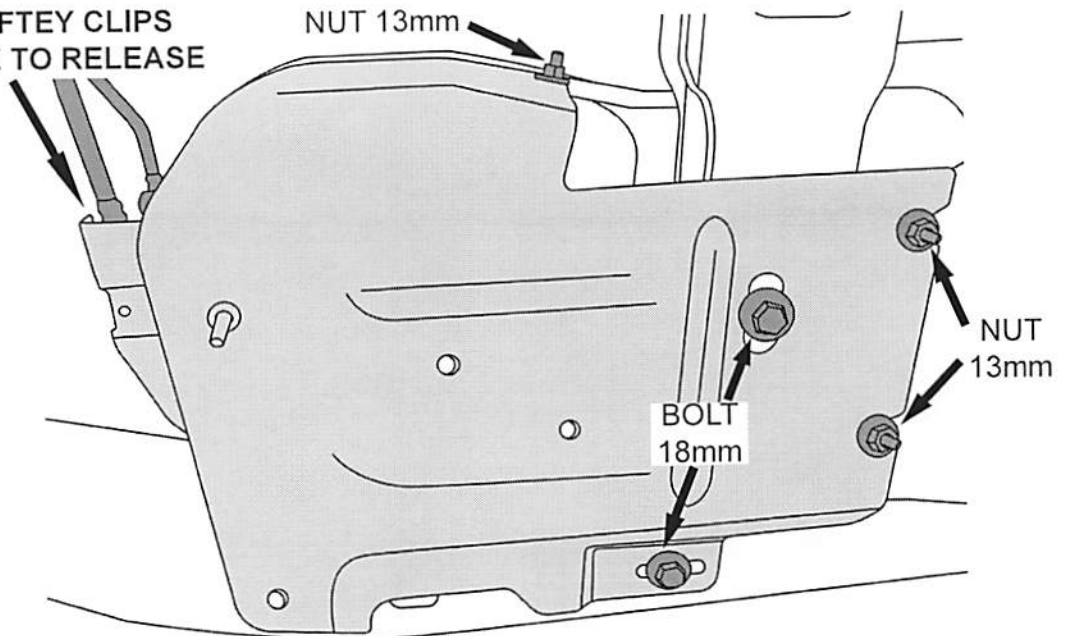
REMOVE THE TRANSMISSION SKID PLATE AND SET ASIDE



33

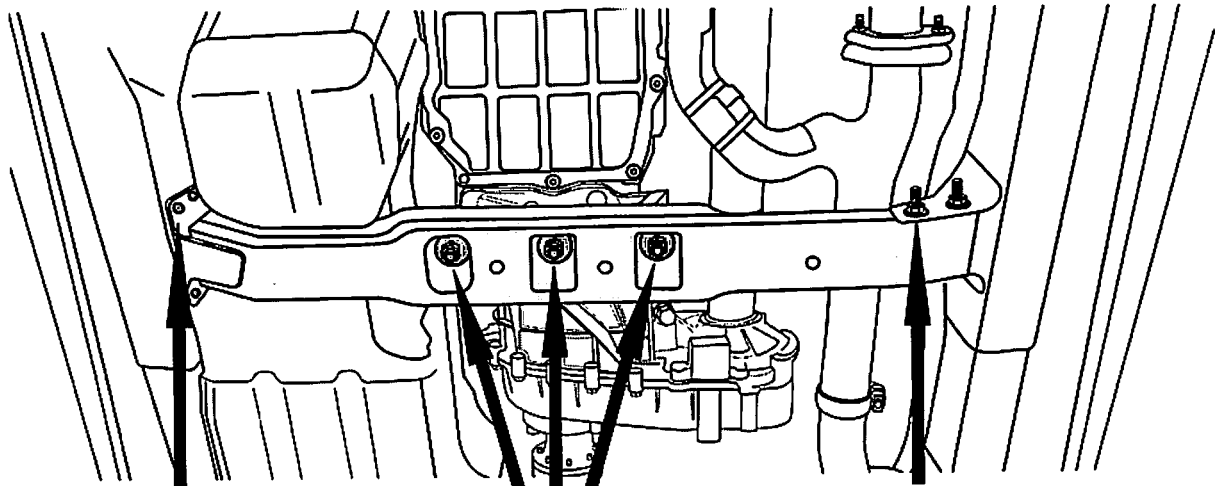
DISCONNECT THE FUEL LINES AND REMOVE THE FRONT SECTION OF THE GAS TANK SKID PLATE

REMOVE SAFETY CLIPS
AND SQUEEZE TO RELEASE



34

SUPPORT THE TRANSMISSION AND REMOVE THE TRANSMISSION CROSSMEMBER



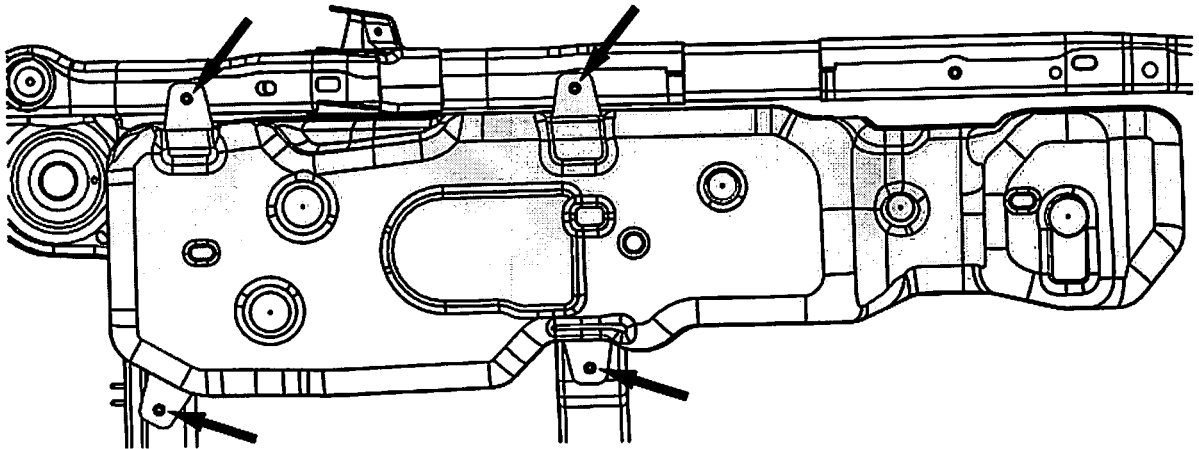
35

**BOLT
18mm**

NUT 21mm

**BOLT &
NUT 18mm**

REMOVE THE GAS TANK



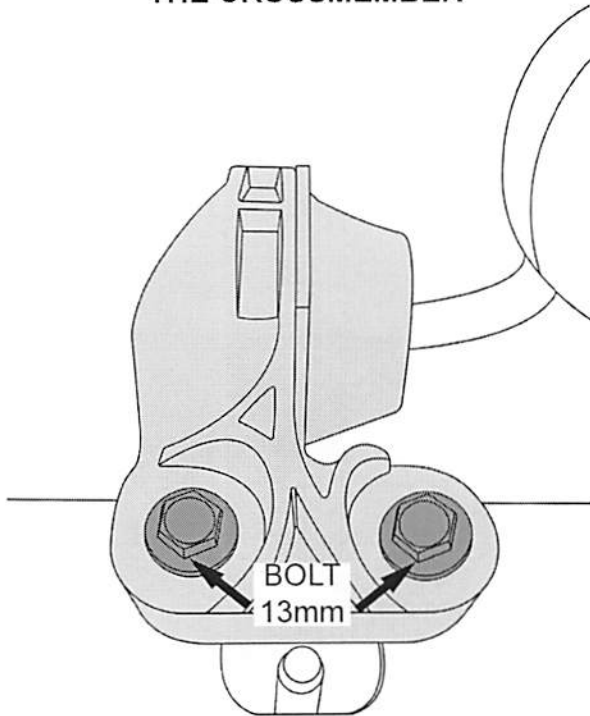
REMOVE THE 4 18mm BOLTS AND LOWER THE GAS TANK UNTIL YOU HAVE ENOUGH ROOM TO DISCONNECT ALL FUEL AND ELECTRICAL LINES FROM THE TANK

ONCE THE GAS TANK HAS BEEN REMOVED YOU CAN TEMPORARILY REINSTALL THE TRANSMISSION CROSSMEMBER TO SUPPORT THE TRANSMISSION

36

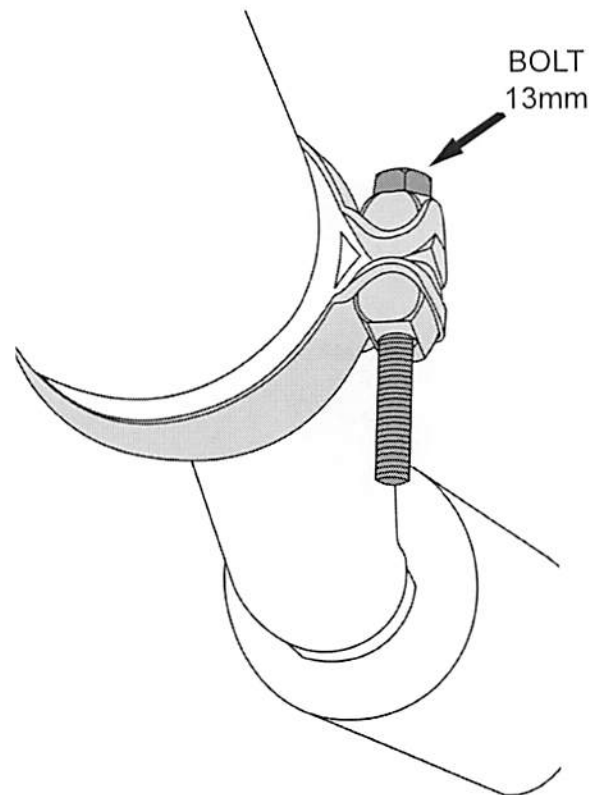
EXHAUST REMOVAL (TURBO)

REMOVE THE EXHAUST MOUNT FROM THE CROSSMEMBER



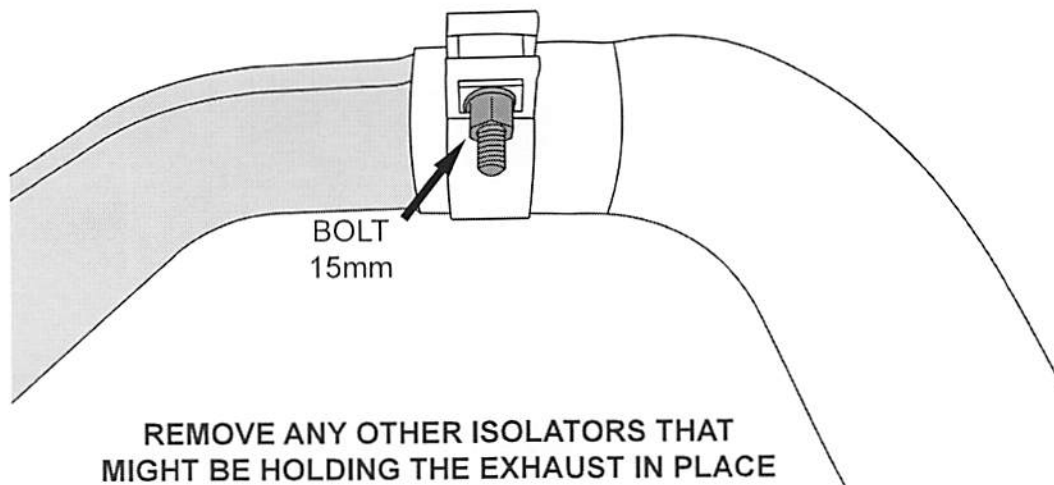
37

LOOSEN THE FRONT EXHAUST CLAMP



38

LOOSEN THE REAR EXHAUST CLAMP AND REMOVE THE CENTER SECTION OF EXHAUST

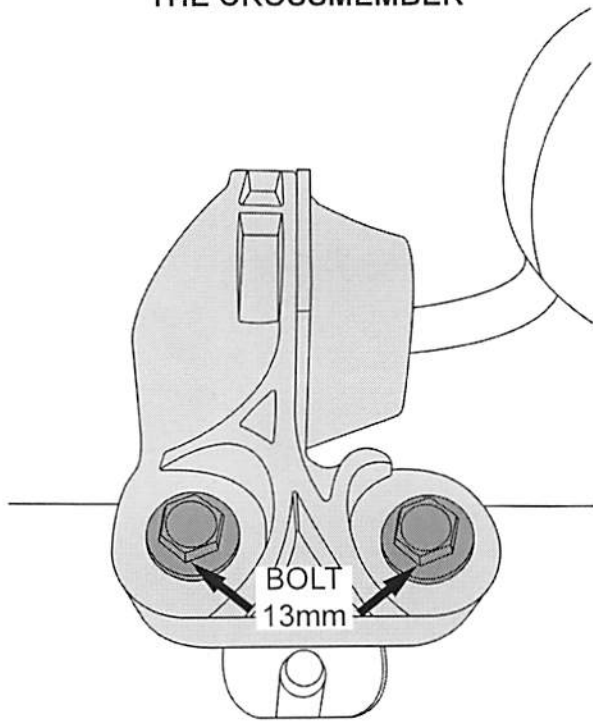


39

REMOVE ANY OTHER ISOLATORS THAT MIGHT BE HOLDING THE EXHAUST IN PLACE

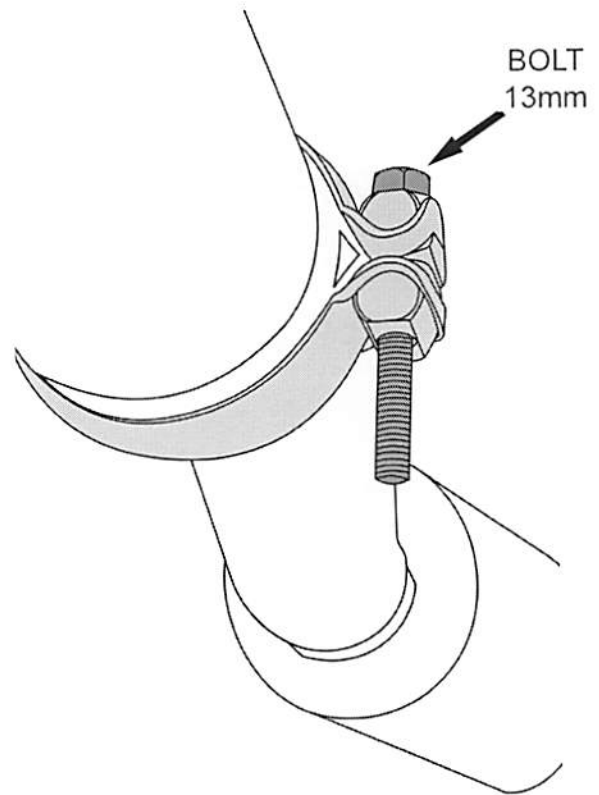
EXHAUST REMOVAL (NON TURBO)

REMOVE THE EXHAUST MOUNT FROM THE CROSSMEMBER



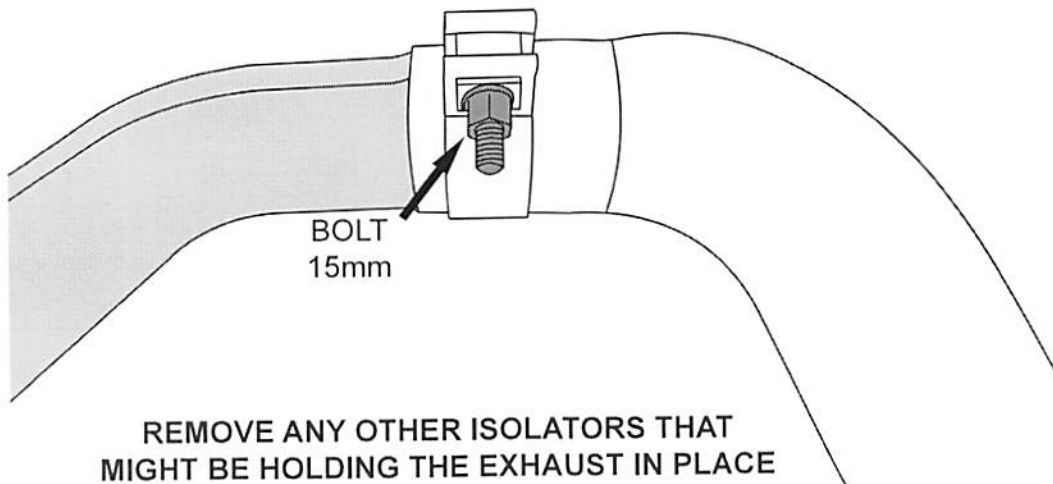
40

LOOSEN THE FRONT EXHAUST CLAMP



41

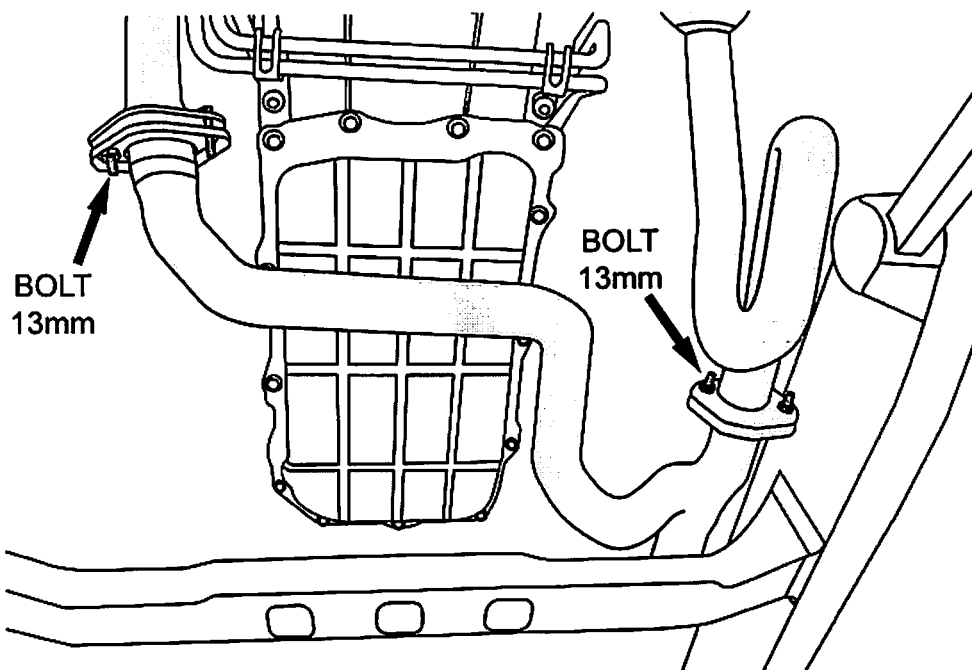
LOOSEN THE REAR EXHAUST CLAMP AND REMOVE THE CENTER SECTION OF EXHAUST



42

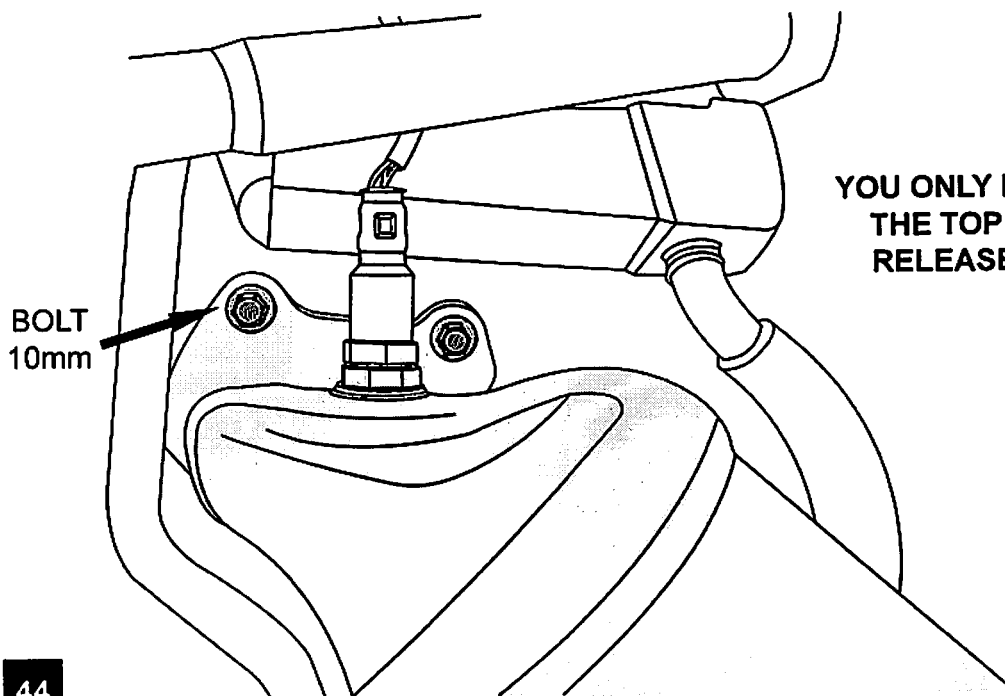
REMOVE ANY OTHER ISOLATORS THAT MIGHT BE HOLDING THE EXHAUST IN PLACE

REMOVE THE "Y" SECTION OF EXHAUST



43

DISCONNECT THE OXYGEN SENSORS AND REMOVE THE EXHAUST AT THE HEADERS FROM BOTH SIDES OF THE ENGINE



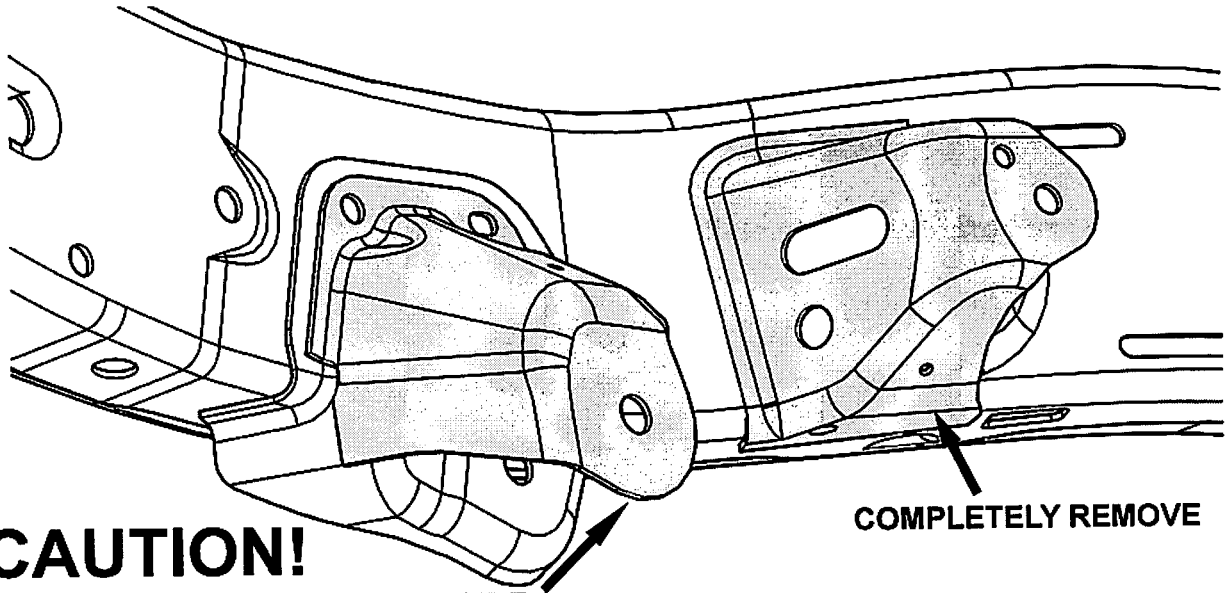
YOU ONLY NEED TO REMOVE THE TOP TWO BOLTS TO RELEASE THE EXHAUST

44

STOCK CONTROL ARM BRACKET REMOVAL

FRONT BRACKET REMOVAL

USE A CUTOFF WHEEL OR TORCH TO REMOVE THE FRONT STOCK BRACKETS



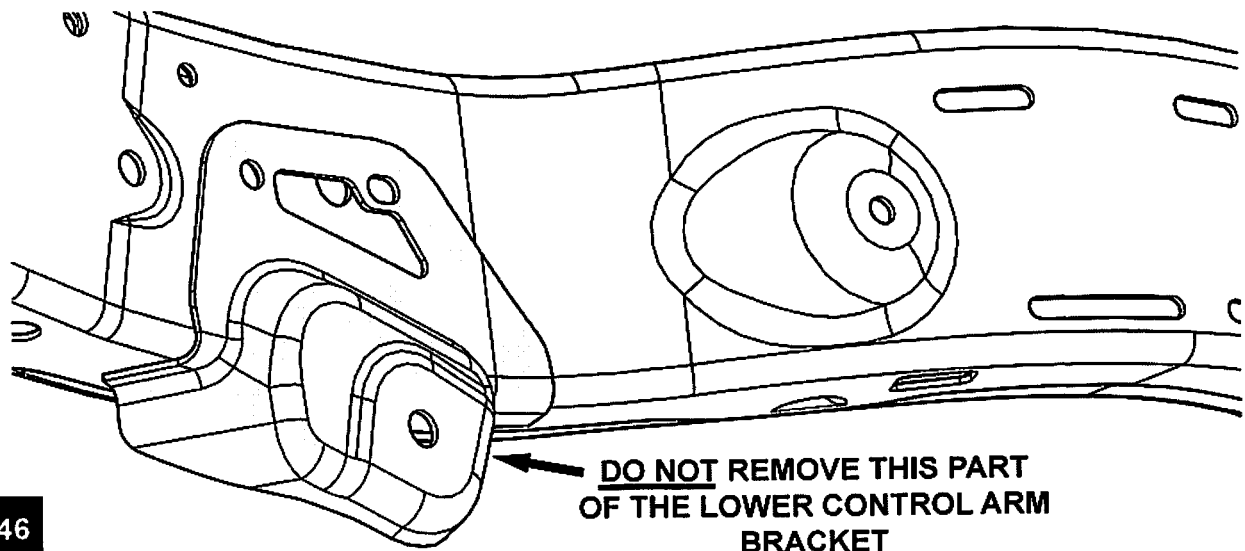
CAUTION!

ONLY REMOVE THE INSIDE PORTION OF THE STOCK LOWER CONTROL ARM BRACKET

COVER ANY FUEL LINES WITH WET RAGS AND MOVE ANY WIRES OR LINES BEFORE CUTTING THE BRACKETS OFF

45

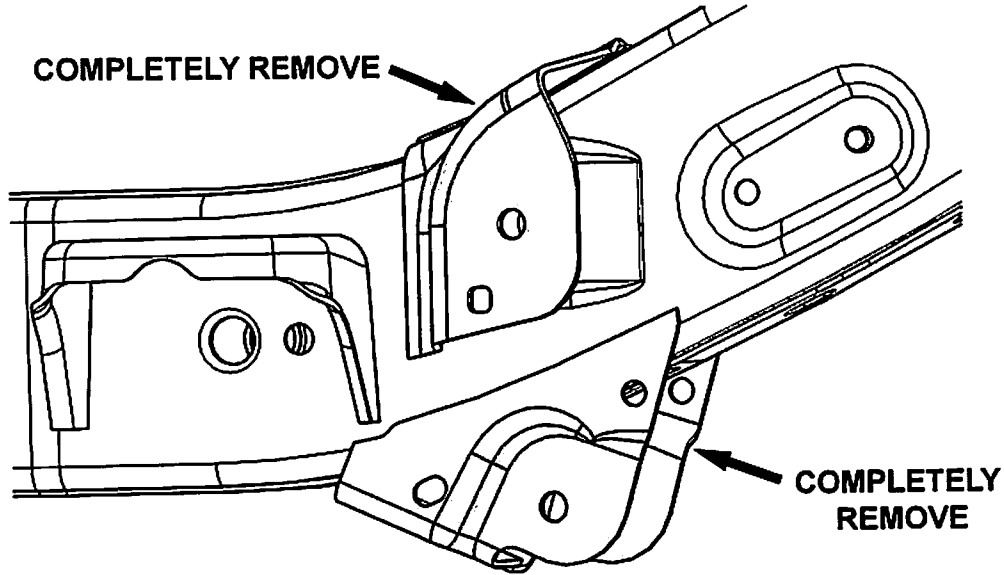
AFTER CUTTING GRIND THE FRAME SMOOTH AND PAINT ANY RAW METAL



46

REAR BRACKET REMOVAL

USE A CUTOFF WHEEL OR TORCH TO REMOVE THE REAR STOCK BRACKETS

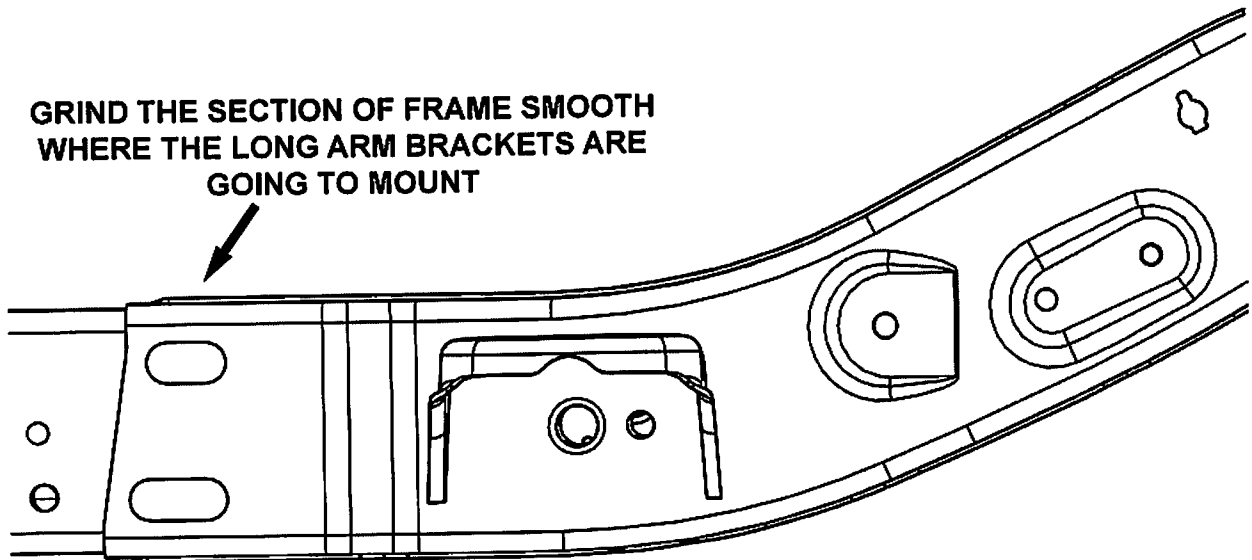


COVER ANY FUEL LINES WITH WET RAGS AND MOVE ANY WIRES OR LINES BEFORE CUTTING THE BRACKETS OFF

47

AFTER CUTTING GRIND THE FRAME SMOOTH AND PAINT ANY RAW METAL

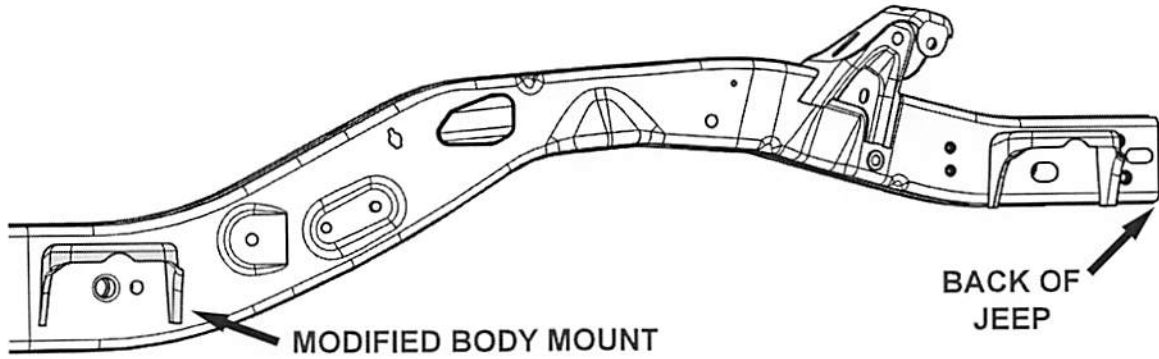
GRIND THE SECTION OF FRAME SMOOTH WHERE THE LONG ARM BRACKETS ARE GOING TO MOUNT



48

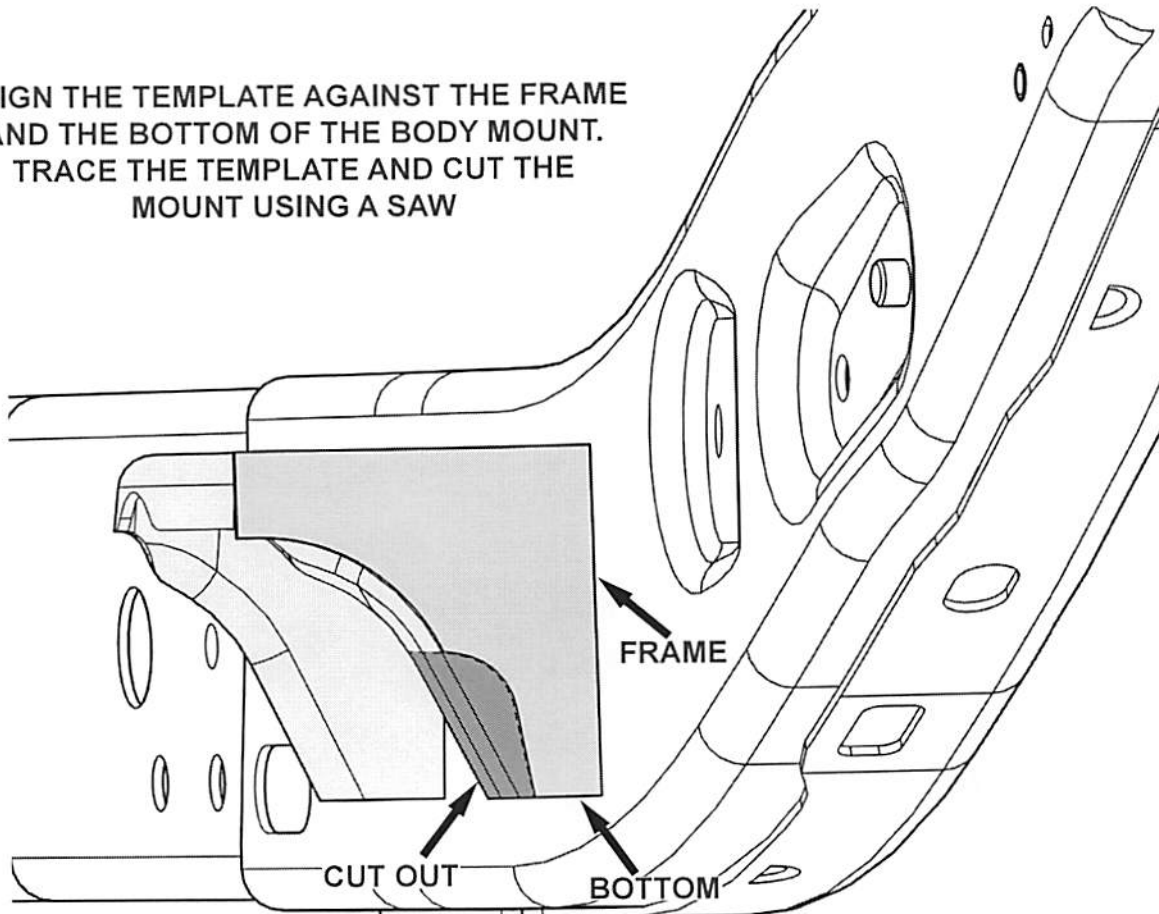
BODY MOUNT MODIFICATION

THE BODY MOUNTS NEXT TO THE REAR CONTROL ARM MOUNTS WILL NEED TO BE MODIFIED FOR CONTROL ARM CLEARANCE

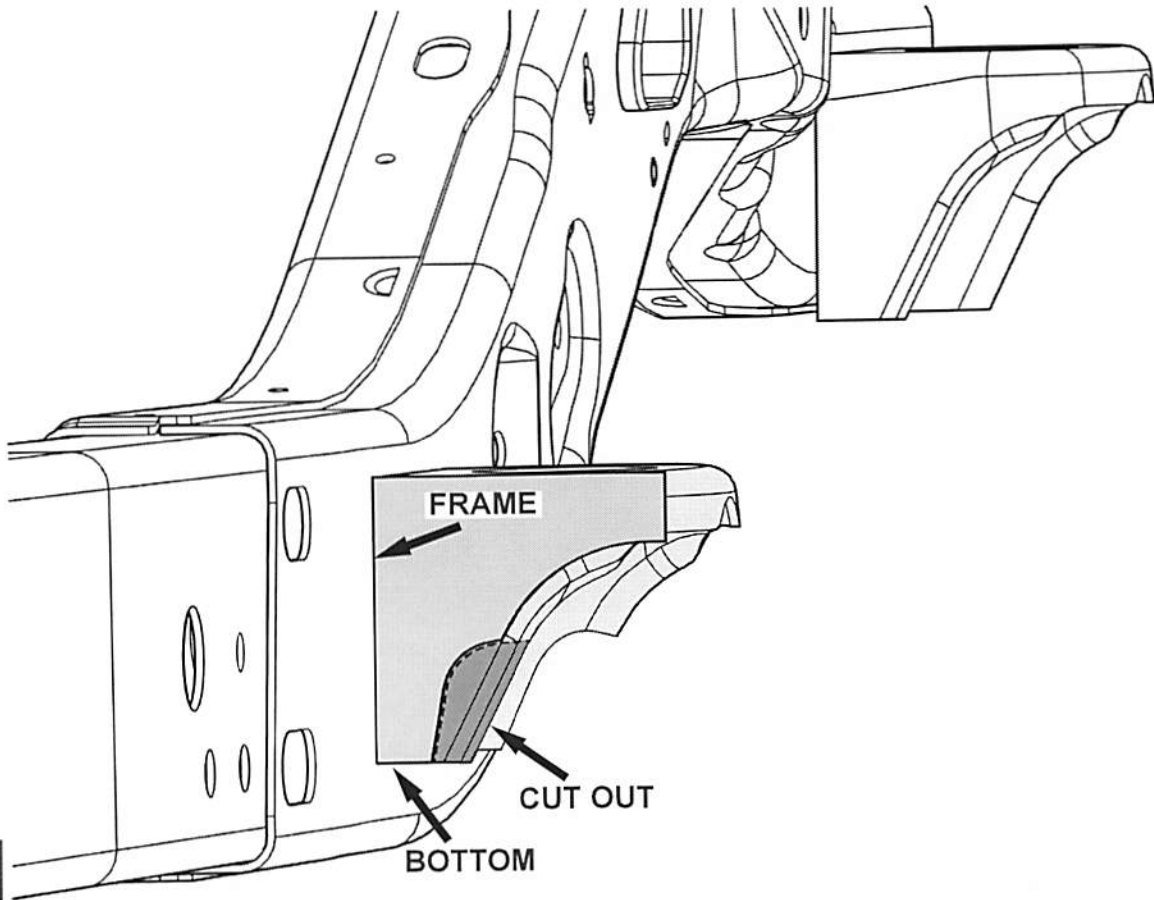


CUT OUT THE TEMPLATE AND PLACE IT ONTO THE REAR BODY MOUNT

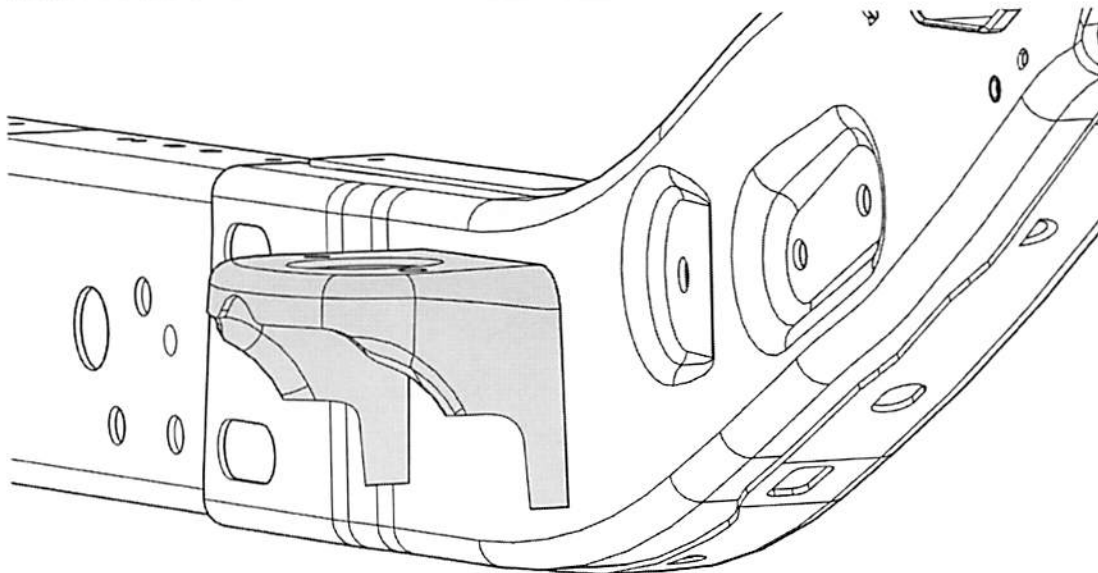
ALIGN THE TEMPLATE AGAINST THE FRAME AND THE BOTTOM OF THE BODY MOUNT. TRACE THE TEMPLATE AND CUT THE MOUNT USING A SAW



PLACE THE TEMPLATE ON THE OTHER SIDE OF THE BODY MOUNT AND REPEAT
STEP 49



AFTER CUTTING GRIND THE BRACKET SMOOTH AND PAINT ANY RAW METAL

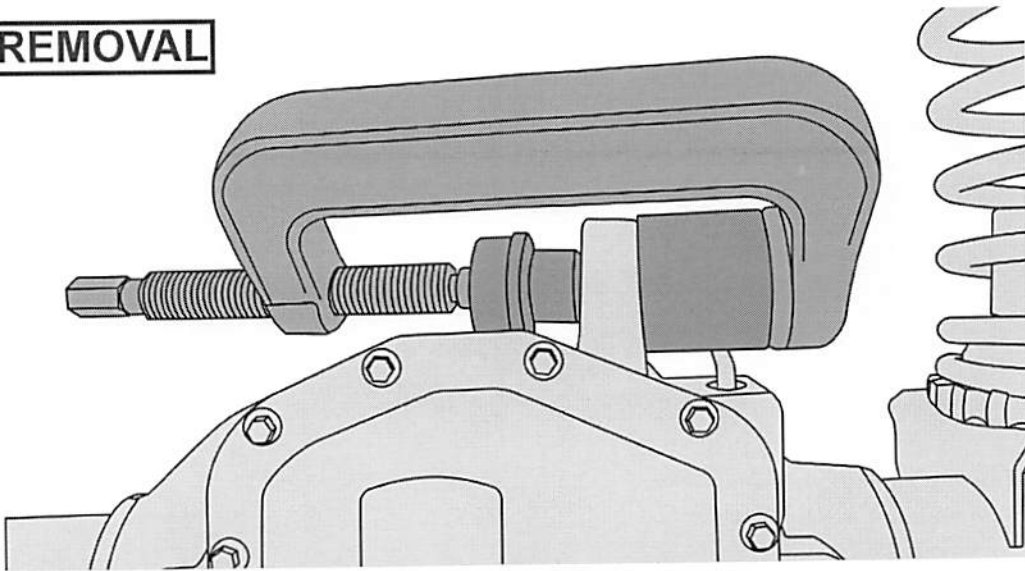


AXLE BUSHING REMOVAL / INSTALL (OPTIONAL)

USE A BALL JOINT PRESS TOOL TO REMOVE OLD BUSHING AND INSTALL THE NEW IR BUSHING

DISCONNECT THE AXLE BREATHER HOSE AND ANY ELECTRICAL WIRES THAT ARE IN THE WAY

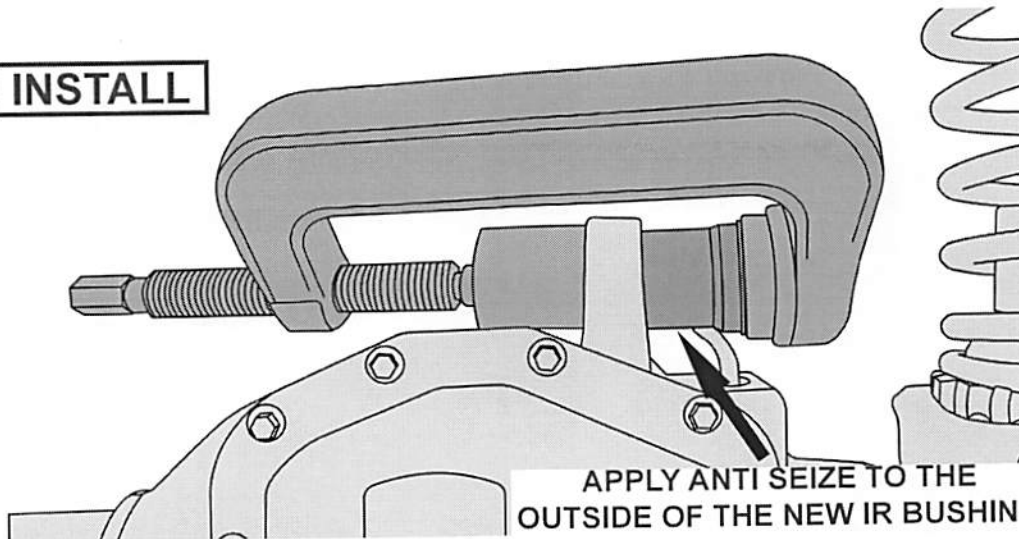
REMOVAL



52

PRESS THE BUSHING INTO THE AXLE UNTIL FULLY SEATED

INSTALL

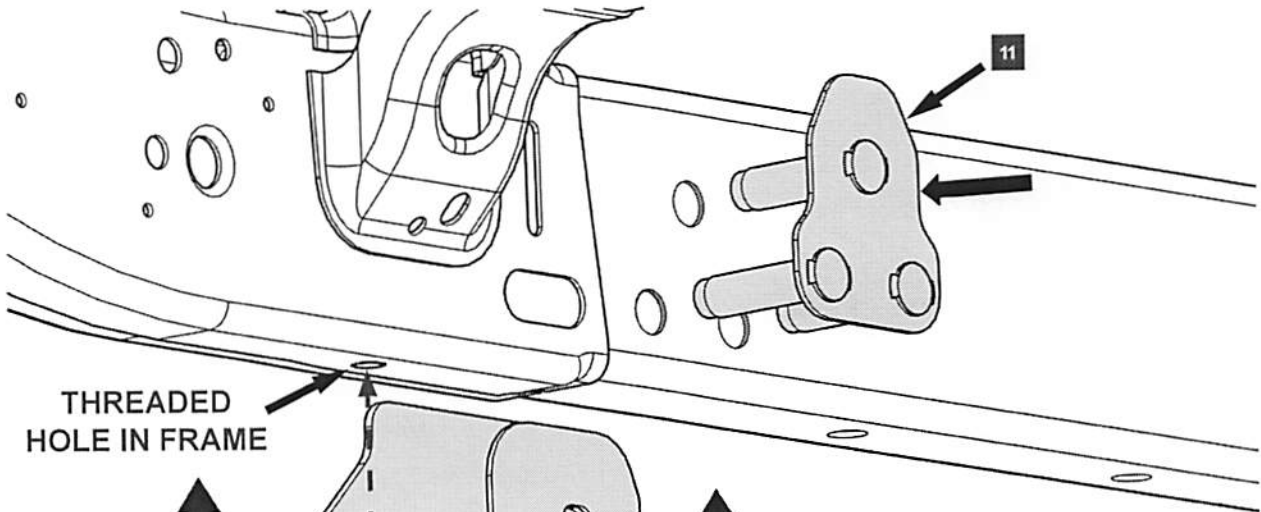


APPLY ANTI SEIZE TO THE
OUTSIDE OF THE NEW IR BUSHING

53

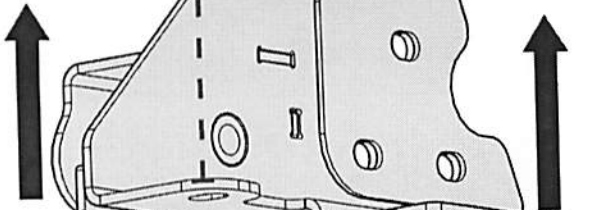
REAR LONG ARM BRACKET INSTALL

TEMPORARILY INSTALL THE REAR BRACKET USING THE BACKING PLATE WITH PROVIDED HARDWARE AND A FACTORY BOLT



THREADED HOLE IN FRAME

11



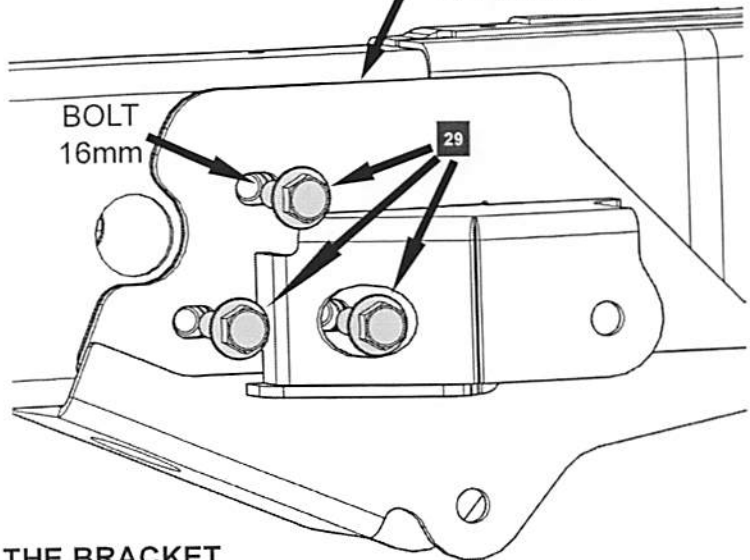
FACTORY BOLT

MAKE SURE THE AREA OF FRAME WHERE THE BRACKET IS TO BE INSTALLED IS SMOOTH AND CLEAR OF ANY WELD SPLATTER

REAR DRIVER BRACKET USES A FACTORY BOLT FROM STEP 14.

REAR PASSENGER BRACKET SHARES A FACTORY BOLT WITH THE GAS TANK.

NOTE: FACTORY BOLT = M12 X 1.5



BOLT 16mm

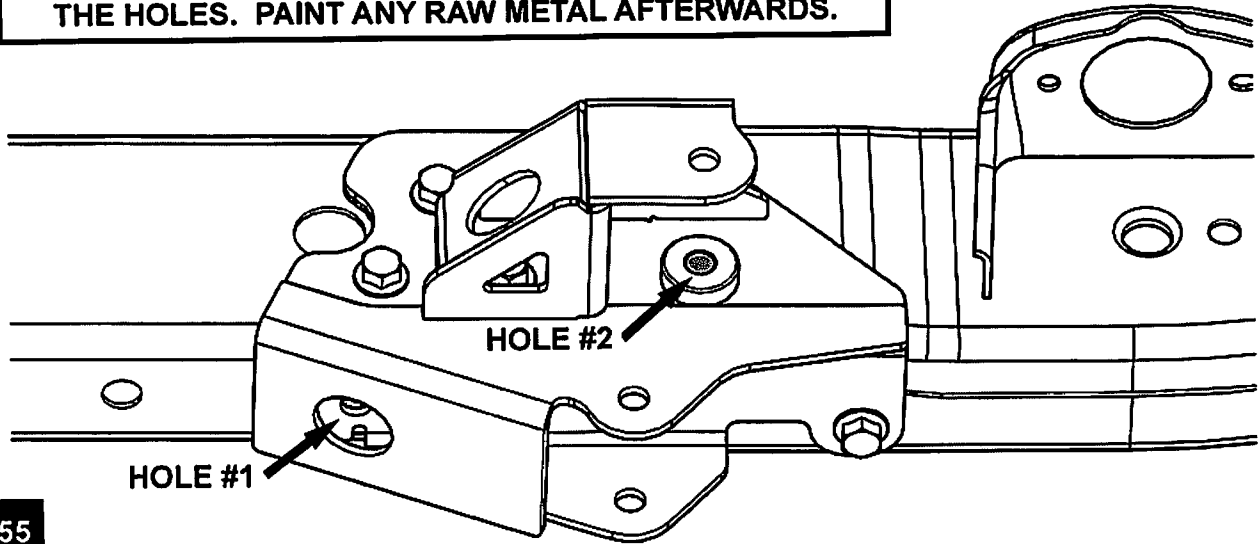
29

54

TIGHTEN THE BOLTS UNTIL THE BRACKET IS FIRMLY IN PLACE

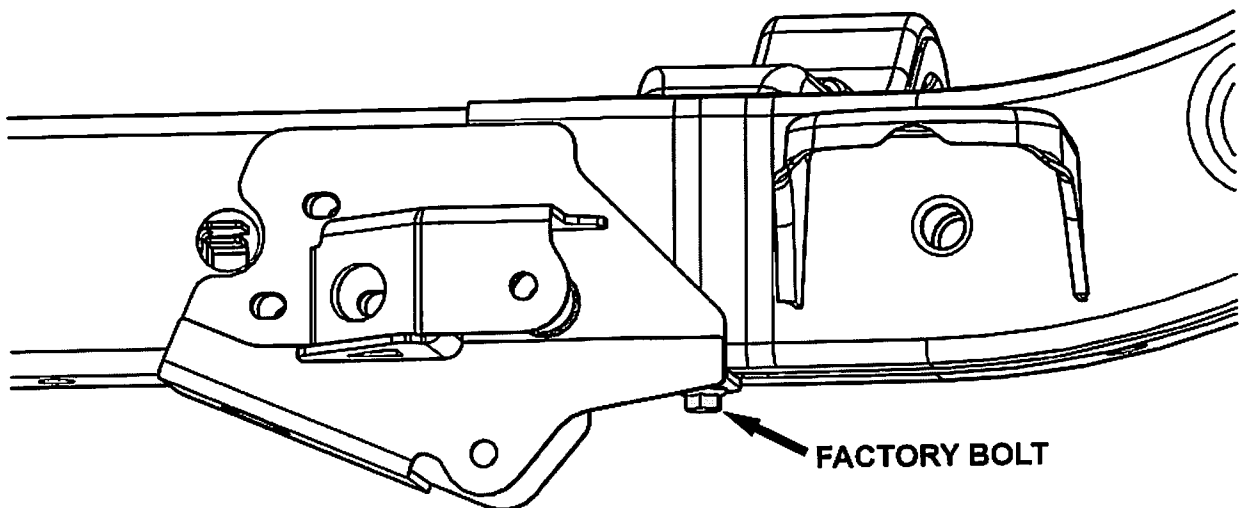
MARK AND DRILL 2 HOLES INTO THE FRAME USING A 11/16" DRILL BIT

WE RECOMMEND USING A TRANSFER TYPE CENTER PUNCH TO DRILL AN ACCURATE HOLE. ONCE THE HOLES HAVE BEEN MARKED, REMOVE THE BRACKET AND DRILL THE HOLES. PAINT ANY RAW METAL AFTERWARDS.



55

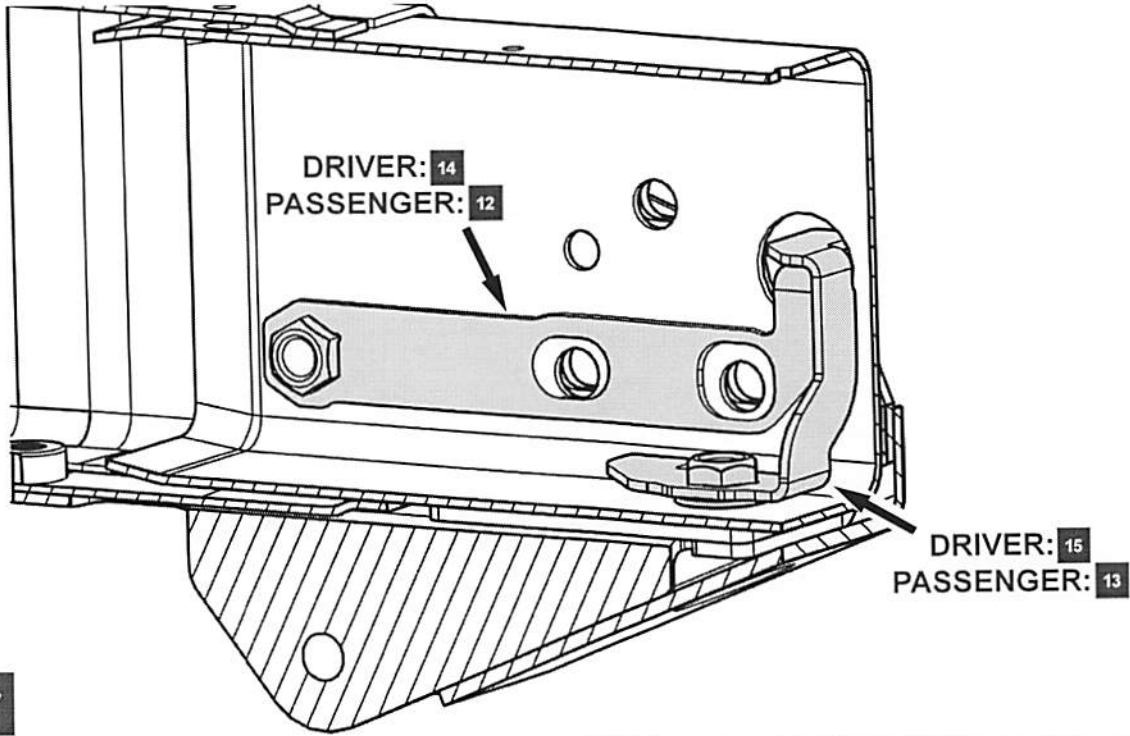
REINSTALL THE REAR BRACKET



USING THE FACTORY BOLT TO HOLD THE BRACKET TO THE FRAME, SLIDE THE TWO FLAG NUT ASSEMBLIES INTO THE FRAME AS SHOWN IN STEPS 57-58

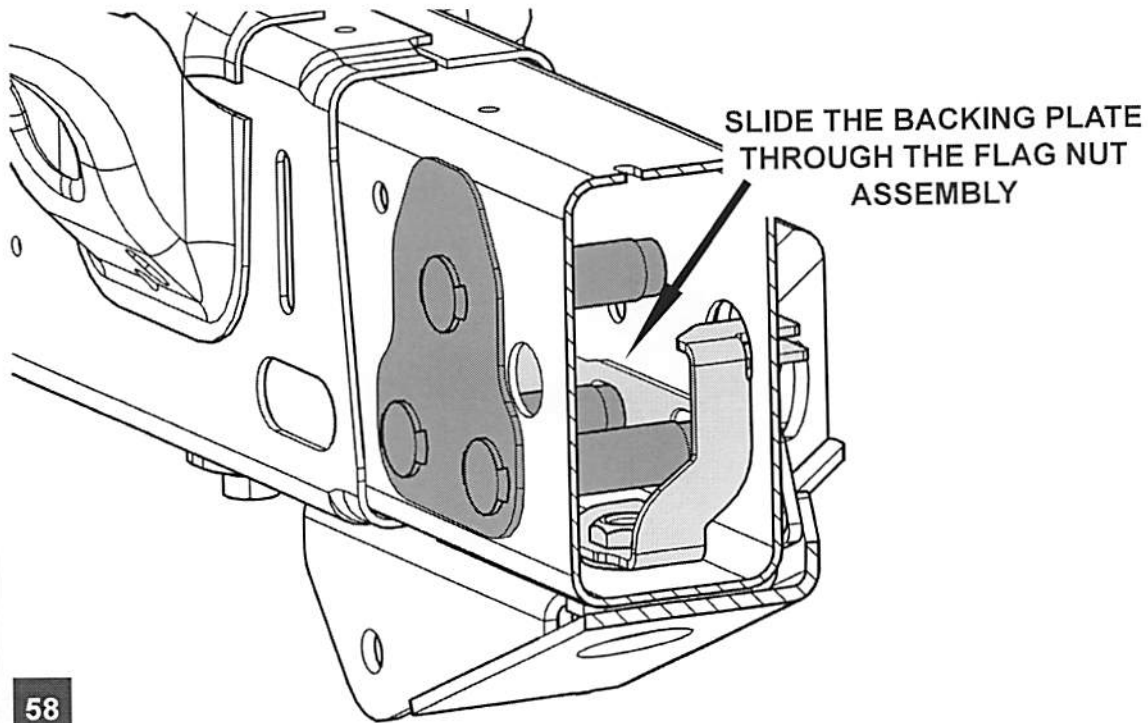
56

SLIDE THE LONGER FLAG NUT ASSEMBLY INTO THE FRAME FOLLOWED BY THE SHORTER FLAG NUT ASSEMBLY



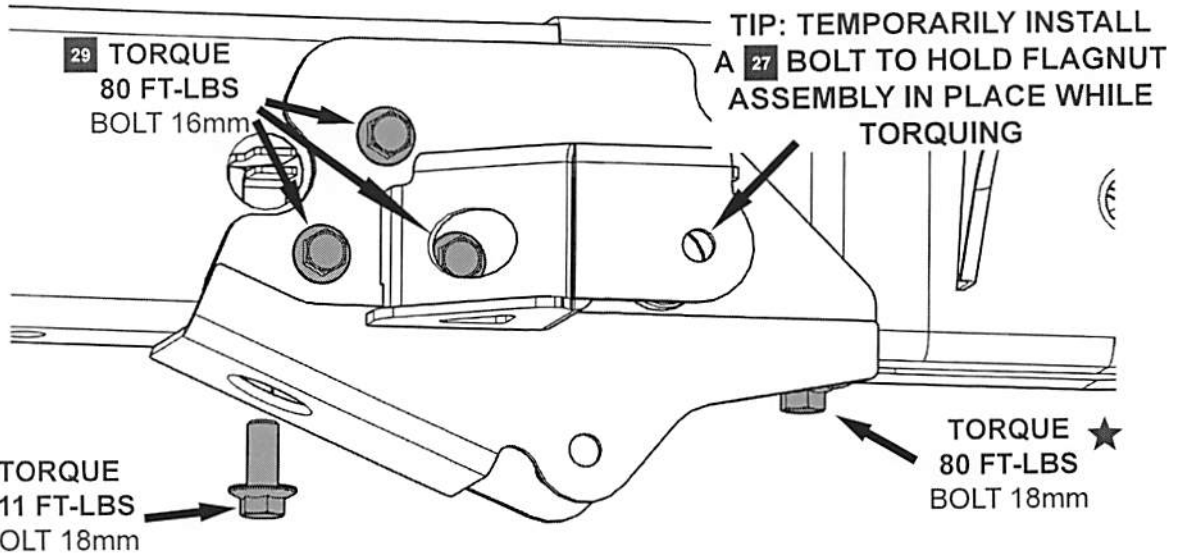
57

LOCK THE FLAG NUT ASSEMBLIES INTO PLACE WITH THE BACKING PLATE



58

APPLY RED THREAD LOCK TO ALL BOLTS
REINSTALL AND TORQUE THE REAR BRACKET TO THE FRAME



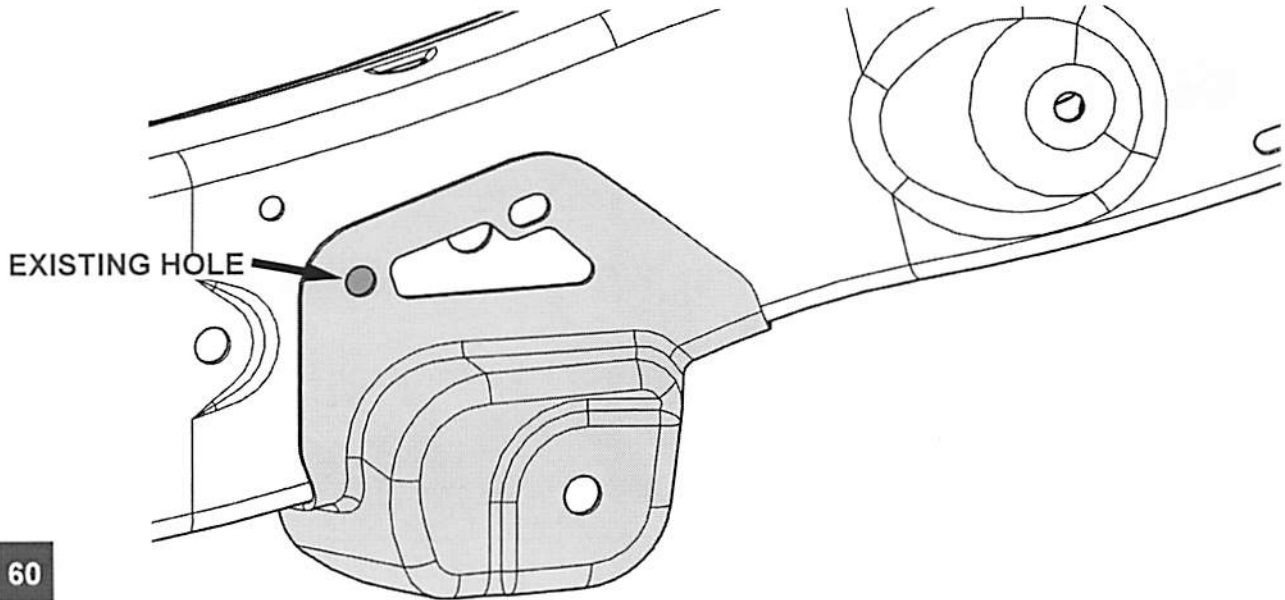
NOTES:

TORQUE THE BOLTS EVENLY TO ENSURE THERE ARE NO GAPS AND THE BRACKET IS FLUSH WITH THE FRAME

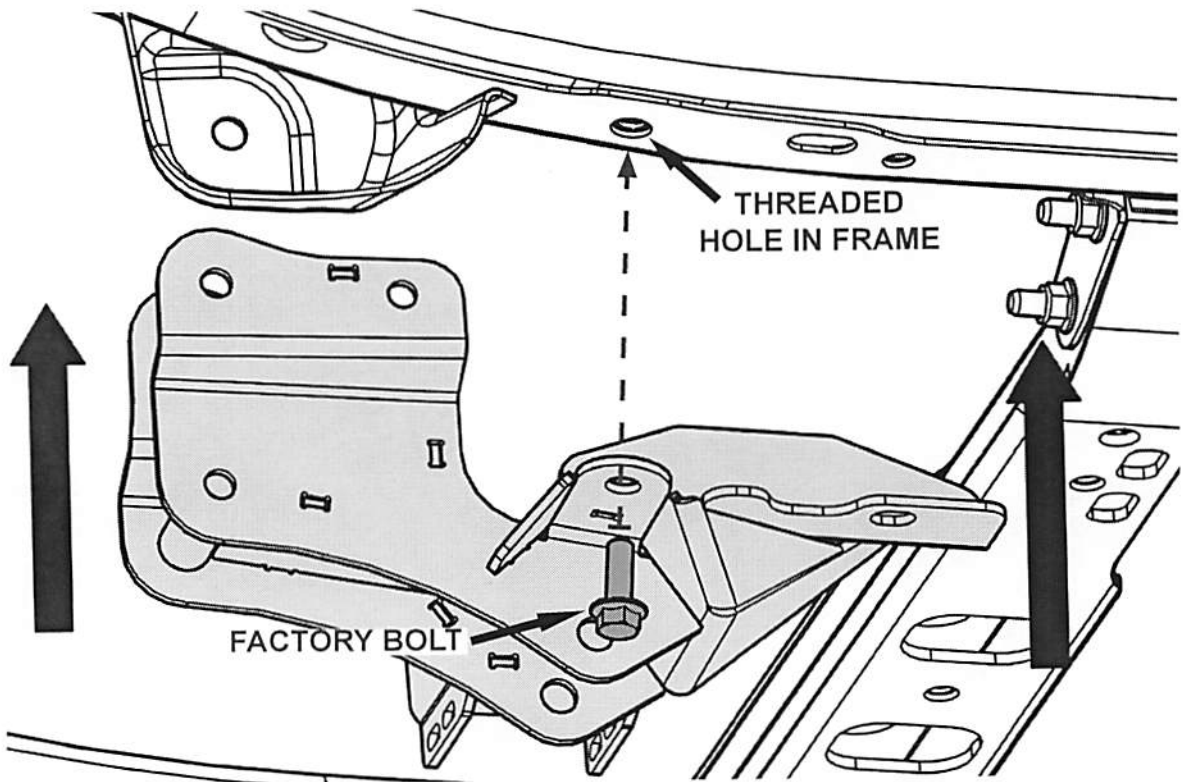
★ ON THE PASSENGER SIDE, THIS BOLT WILL NEED TO COME OUT TO REINSTALL THE GAS TANK

FRONT LONG ARM BRACKET INSTALL

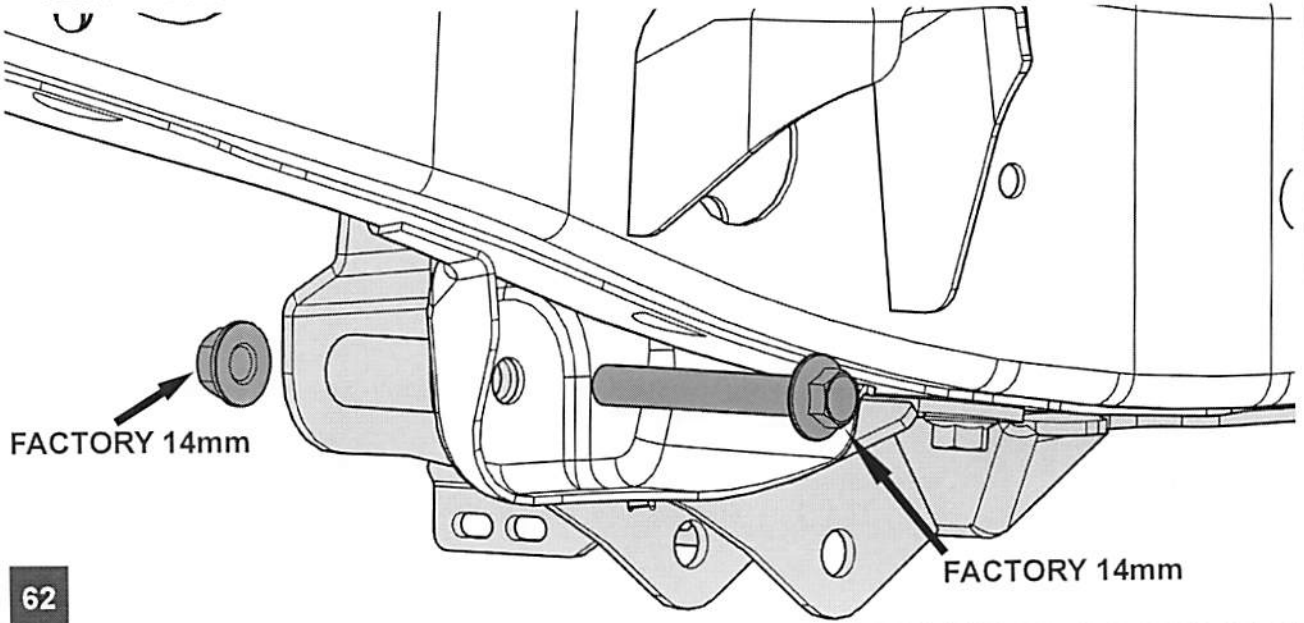
DRILL THE EXISTING HOLE BIGGER USING A 11/16" DRILL BIT



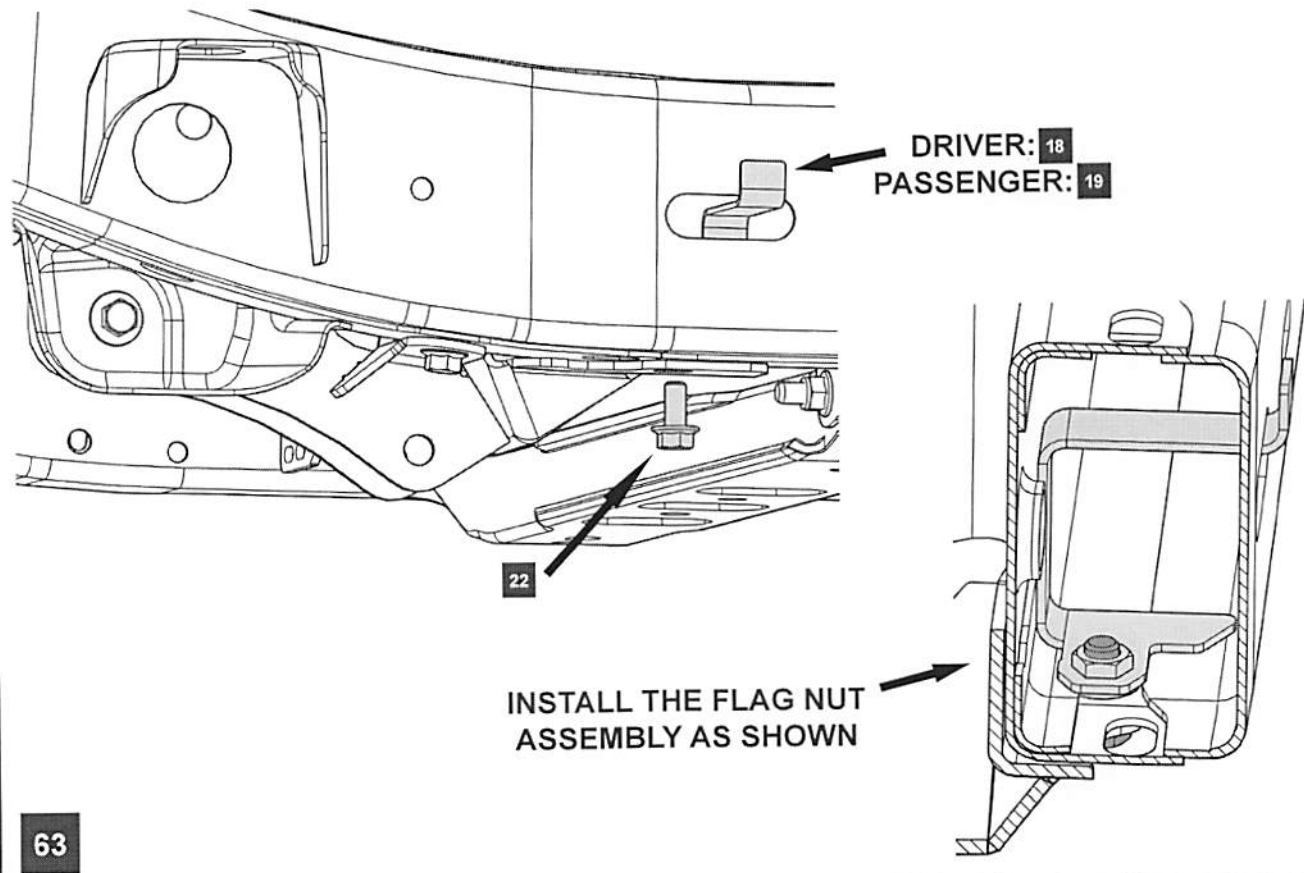
TEMPORARILY INSTALL THE FRONT BRACKET USING A FACTORY BOLT



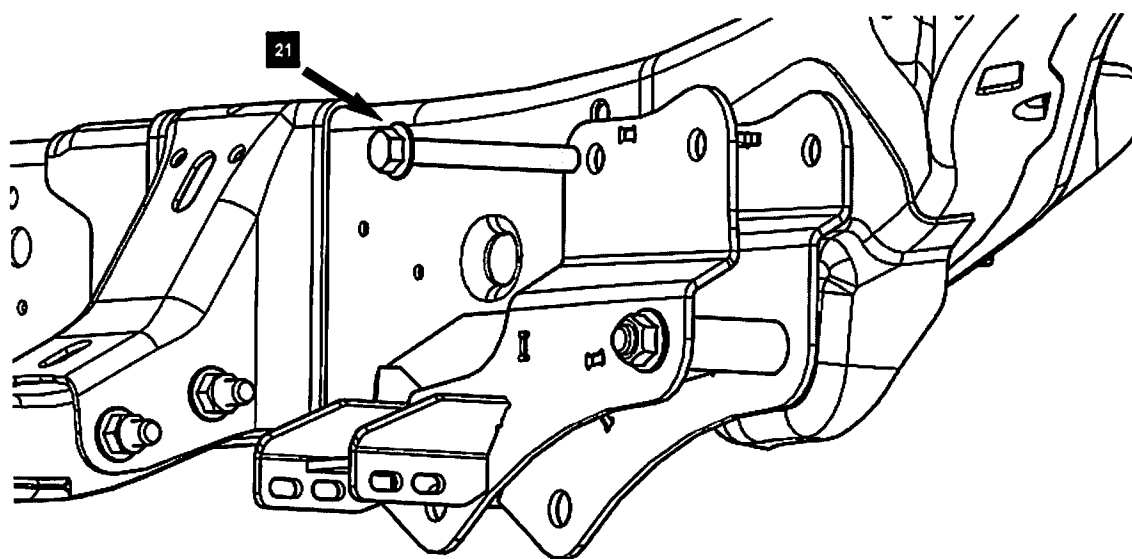
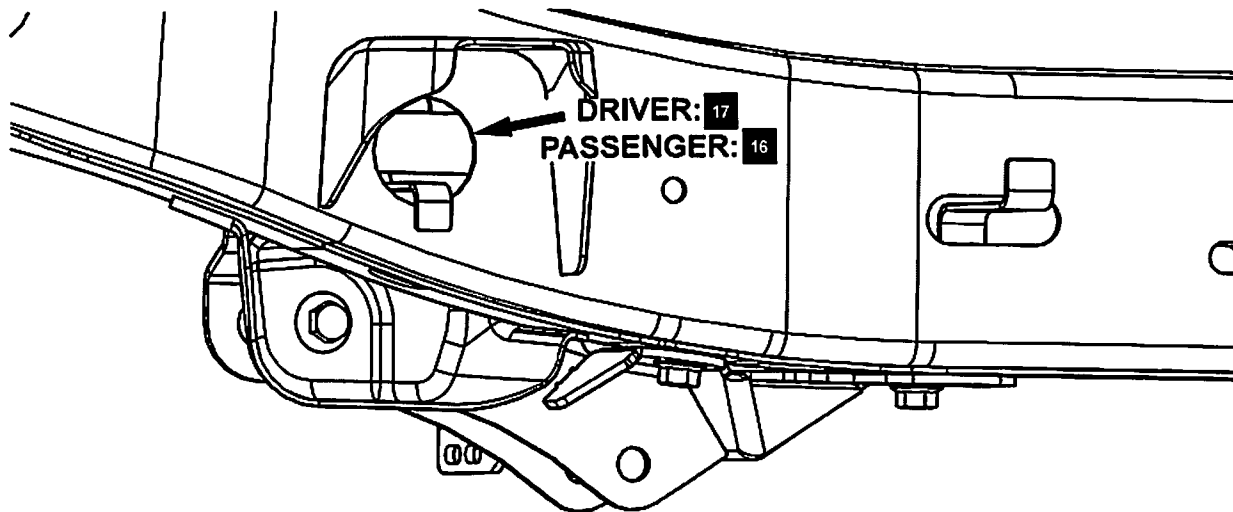
TEMPORARILY REUSE A FACTORY 14mm BOLT FROM THE FRONT CONTROL ARM



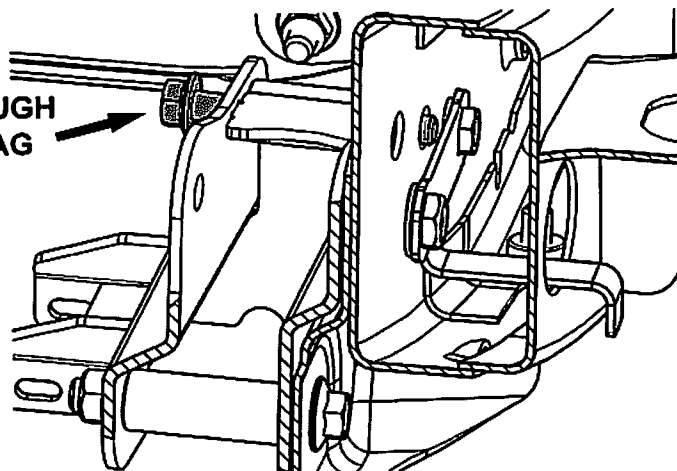
SLIDE THE FIRST FLAG NUT ASSEMBLY INTO THE FRAME AND INSTALL THE PROVIDED HARDWARE



SLIDE THE SECOND FLAG NUT ASSEMBLY INTO THE FRAME AND INSTALL THE PROVIDED HARDWARE



SLIDE THE PROVIDED BOLT THROUGH THE BRACKET AND INTO THE FLAG NUT ASSEMBLY

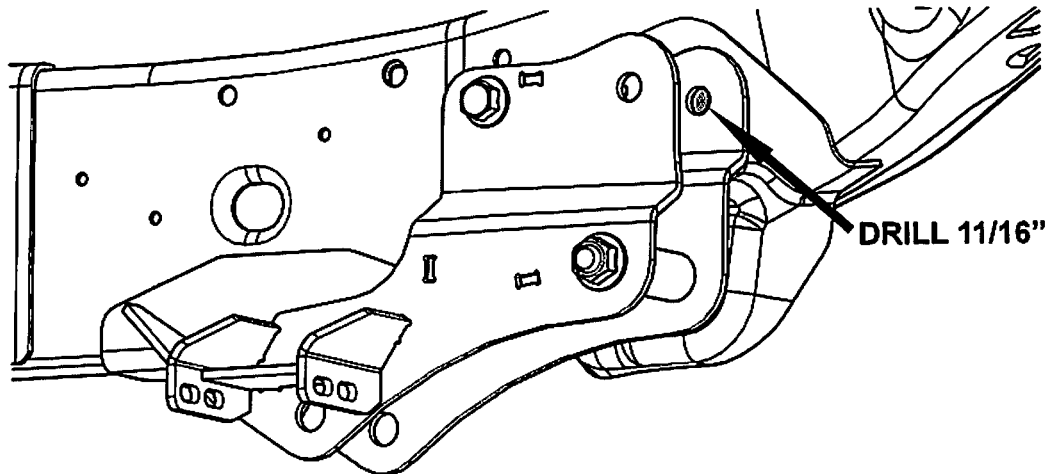


TIGHTEN ALL THE BOLTS UNTIL THE BRACKET IS FIRMLY IN PLACE

64

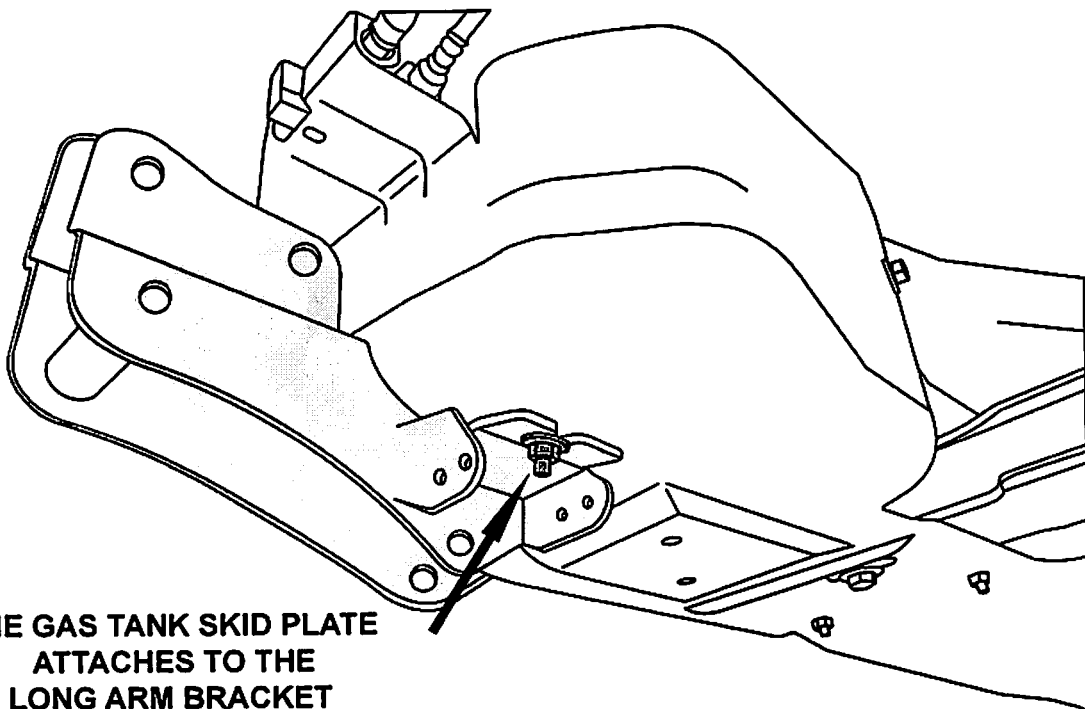
MARK AND DRILL THE REMAINING HOLE INTO THE FRAME USING A 11/16" DRILL BIT

WE RECOMMEND USING A TRANSFER TYPE CENTER PUNCH TO DRILL AN ACCURATE HOLE. ONCE THE HOLES HAVE BEEN MARKED, REMOVE THE BRACKET AND DRILL THE HOLES. PAINT ANY RAW METAL AFTERWARDS.



65

NOTE: (2 DOOR MODELS ONLY) YOU WILL NEED TO REINSTALL THE GAS TANK BEFORE INSTALLING THE FRONT LONG ARM BRACKETS

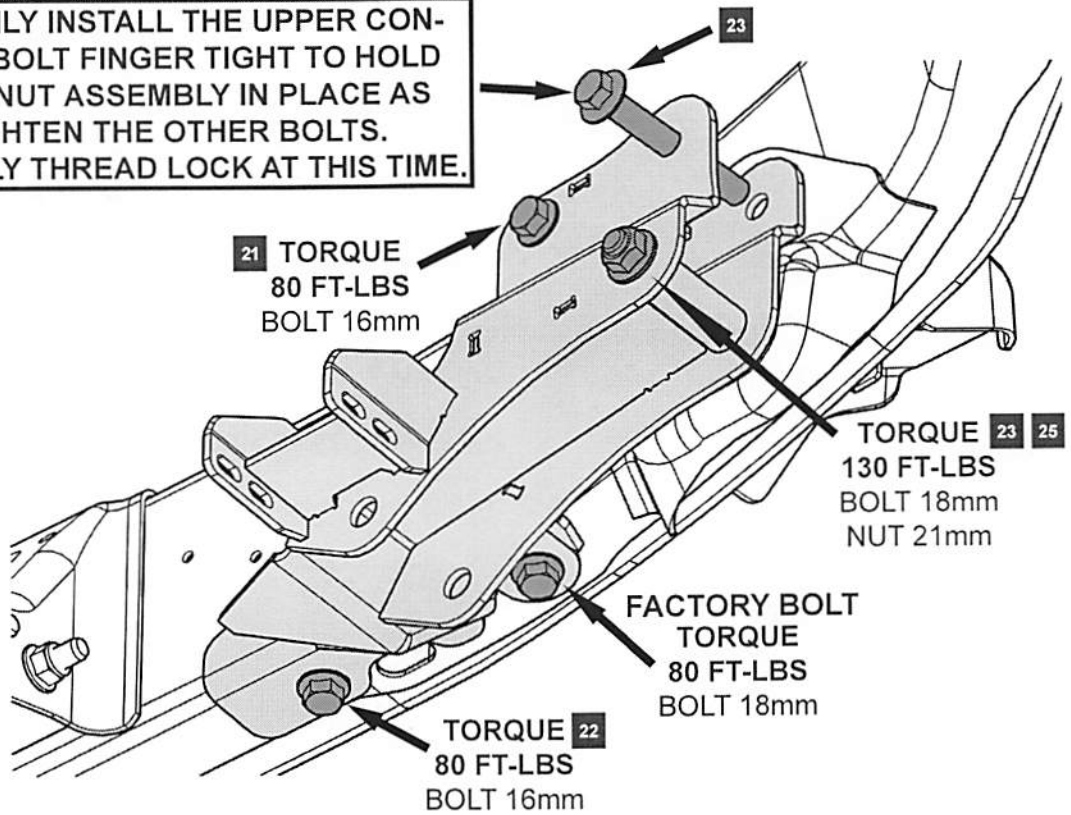


THE GAS TANK SKID PLATE ATTACHES TO THE LONG ARM BRACKET

66

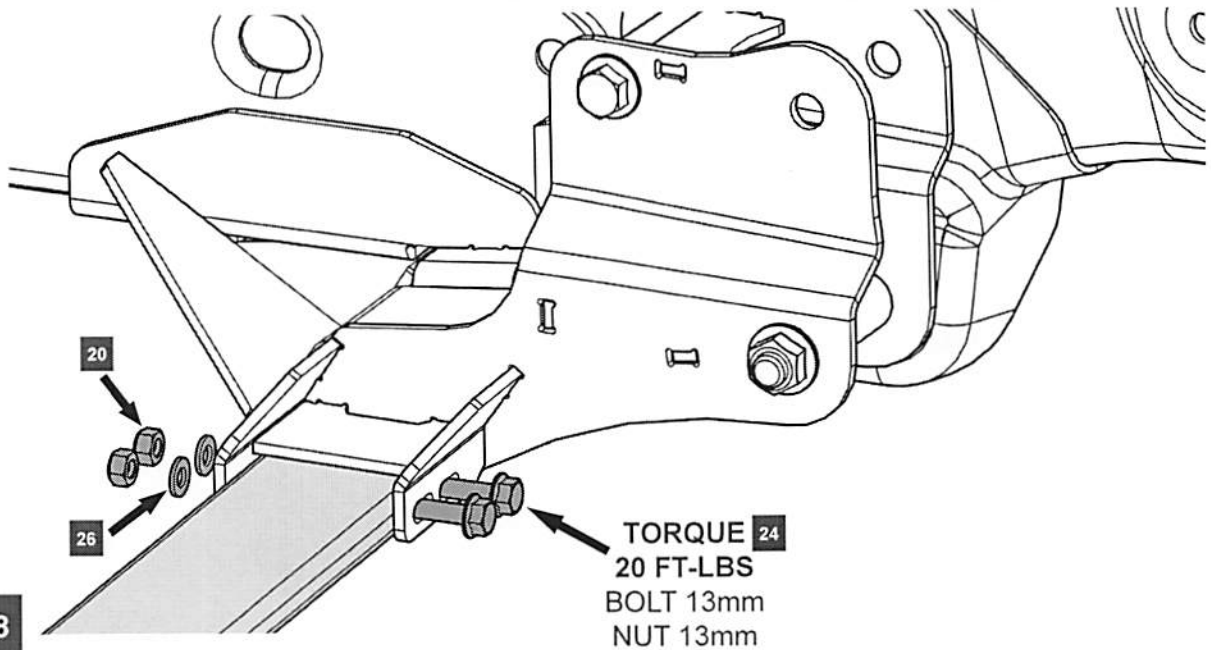
**REINSTALL AND TORQUE THE FRONT BRACKET TO THE FRAME
APPLY RED THREAD LOCK TO ALL BOLTS**

TEMPORARILY INSTALL THE UPPER CONTROL ARM BOLT FINGER TIGHT TO HOLD THE FLAG NUT ASSEMBLY IN PLACE AS YOU TIGHTEN THE OTHER BOLTS.
DO NOT APPLY THREAD LOCK AT THIS TIME.



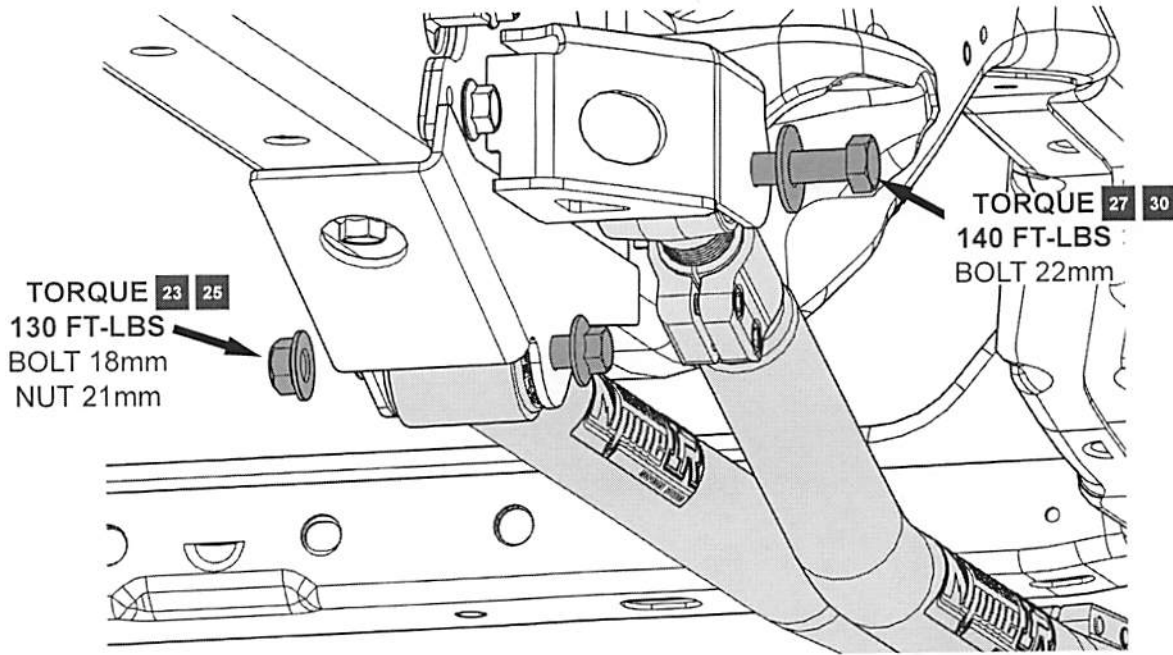
67

INSTALL THE CROSSMEMBER WITH THE PROVIDED HARDWARE

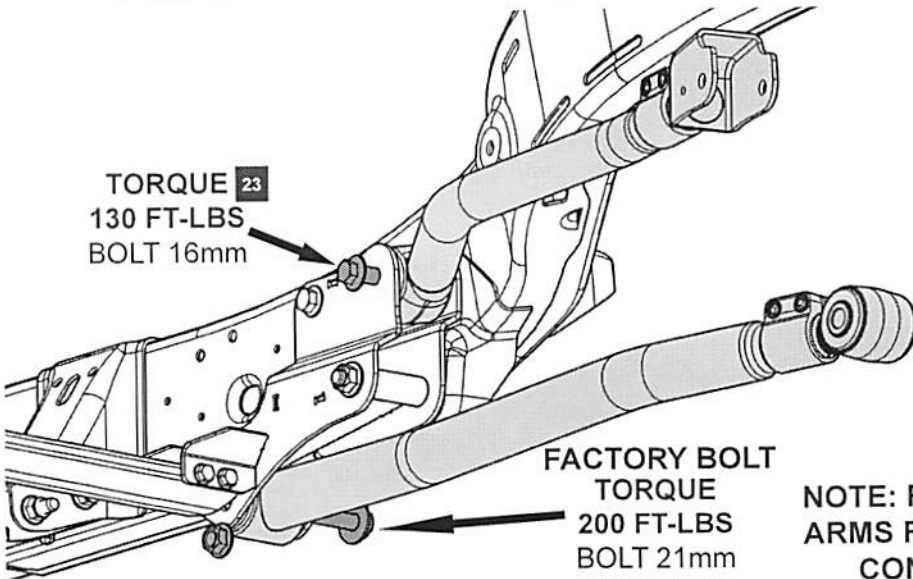


68

INSTALL THE LONG ARMS



ADJUST THE LONG ARMS TO THE RECOMMENDED STARTING LENGTHS AND INSTALL THE HARDWARE WITH RED THREAD LOCK



NOTE: FRONT LOWER LONG ARMS REUSE THE FACTORY CONTROL ARM BOLT

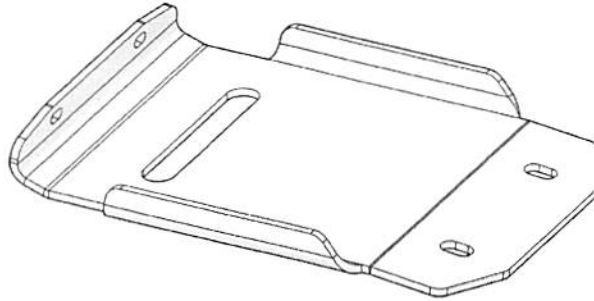
IF INSTALLING LONG ARMS WITH IR BUSHINGS YOU CAN TORQUE THE ARM BOLTS NOW, OTHERWISE WAIT UNTIL THE JEEP IS ON THE GROUND

69

Recommended Starting Lengths	
Front Upper Control Arms	28 1/8"
Front Lower Control Arms	31 5/8"
Rear Upper Control Arms	33 1/8"
Rear Lower Control Arms	37 3/8"

INSTALL THE CROSSMEMBER SKID PLATE AT THIS TIME (SOLD SEPARATELY)

REFER TO INSTRUCTIONS #999359 FOR
PROPER INSTALLATION OF THE
CROSSMEMBER SKID PLATE



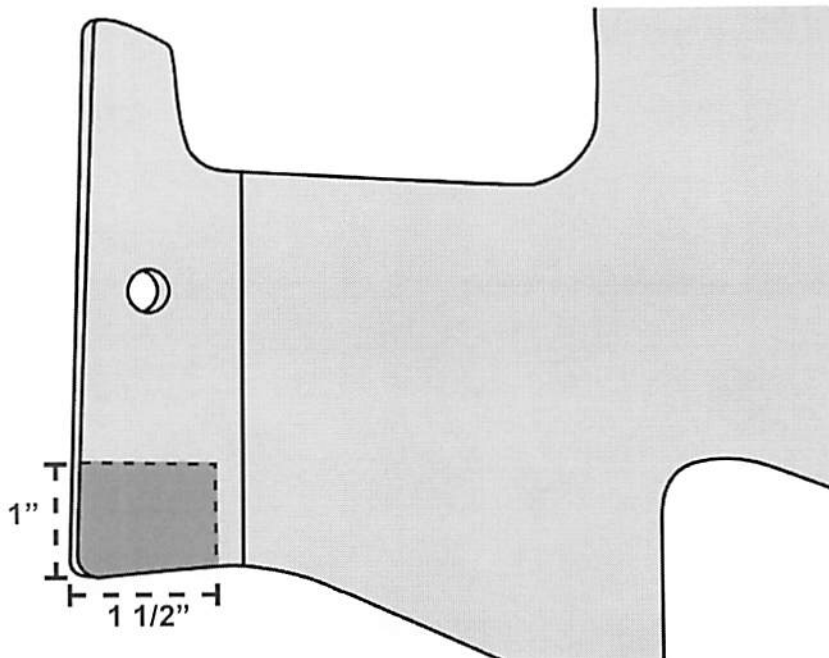
70

REINSTALL THE EXHAUST, GAS TANK AND CROSSMEMBERS IN REVERSE ORDER
OF REMOVAL.

REINSTALL THE AXLES AND DRIVE LINES
REFER TO PAGE 40 FOR TORQUE SPECS

REFER TO THE SPRING BOX INSTRUCTIONS FOR COMPLETION OF YOUR LIFT KIT.

NOTE: WHEN REINSTALLING GAS TANK ON 4 DOOR MODELS YOU MAY NEED TO
MODIFY THE FUEL LINE SHIELD.



TORQUE SPECS

Step Number	Description	Torque Specs
Exhaust		
44	Catalytic Converter to Cylinder Head Bolts	18 Ft. Lbs.
43	Exhaust Y-Pipe-to- Catalytic Converter Flange Bolts	18 Ft. Lbs.
39/42 38/41	Exhaust Resonator Clamp Bolt	30 Ft. Lbs.
37/40	Front Exhaust Isolator Bolts	22 Ft. Lbs.
Gas Tank		
32/36	Fuel Tank Skid Plate Bolts	70 Ft. Lbs.
34	Fuel tank Front Skid Plate Bolts	70 Ft. Lbs.
34	Fuel tank Front Skid Plate Nuts	20 Ft. Lbs.
30	Fuel line shield	9 Ft. Lbs.
Skid Plates / Crossmembers		
35	Transmission crossmember to frame bolts (righthand side)	52 Ft. Lbs.
35	Transmission crossmember to bracket bolts/nuts	129 Ft. Lbs.
35	3 nuts, transmission to cross member	21 Ft. Lbs.
31/33	Transfer case skid plate bolts	70 Ft. Lbs.
34	Skid plate fuel tank to trans crossmember	48 Ft. Lbs.
Drive Line		
20	Rear Driveshaft to Rear Axle Flange Bolts	29 Ft. Lbs.
9	Front Driveshaft to Front Axle Flange Bolts	89 Ft. Lbs.
Other		
19	Rear wheel speed sensor bolt	8 Ft. Lbs.
7	Front wheel speed sensor bolt	5 Ft. Lbs.
4	Drag Link Outer Nut (At Steering Knuckle)	47 Ft. Lbs.

TERAFLEX

PRODUCT INFORMATION

MAINTENANCE INFORMATION:

It is the buyer's responsibility to have all suspension, drivetrain, steering, and other components checked for proper tightness and torque after the first 100 miles and every 3000 miles after that.

NOTICE TO INSTALLER:

The enclosed "Warning to Driver" sticker must be installed in the vehicle in driver's view. This sticker is to act as a constant safety reminder when operating the vehicle. It is your responsibility as the equipment installer to install the provided sticker and to forward the product instructions to the vehicle's owner for review. If a "Warning to Driver" sticker or product installation guide were not included in the kit, FREE replacement stickers and instructions are available by request. It is the installer's duty to ensure a safe and controllable vehicle after the modifications have been performed.

WARNING:

Neither the seller nor the manufacturer will be liable for any loss, damage, or injury directly or indirectly arising from the use of or inability to determine the use of these products. Before using, the user shall determine the suitability of the products for its intended use, and the user shall assume all responsibility and risk in connection therewith.

WARNING TO DRIVER:

This vehicle has been modified to enhance off road performance and has unique handling characteristics. Use in harsh environments can cause extreme stress on the components. Vehicle should be inspected after being off road to make sure that all the components are in working order and safe to travel on the highway. All fasteners should be checked so that they are at the correct torque specifications as the vibration and stresses from off roading may cause critical fasteners to work loose. Extra care should be taken to inspect the critical components, steering, and brake systems. During each oil change components such as arms, tie rod ends, etc should be greased and checked for excessive wear. Any worn components should be replaced. When returning to the pavement always set or restore tire air pressure to the factory recommendation and connect or engage any disabled sway bar mechanisms. Because of the higher center of gravity and larger tires, this vehicle handles and reacts differently than many passenger cars, both on and off road. You must drive it safely! Extreme care should be taken to prevent vehicle rollover or loss of control, which can result in serious injury or death. Avoid sudden sharp turns or abrupt maneuvers. Generally, braking performance and capabilities are decreased when significantly larger/heavier tires are used, especially when used in combination with transfer case low-range reduction kits. Take this into consideration while driving. Do not add, alter or fabricate any factory or aftermarket parts to increase vehicle height over the intended height of the TeraFlex product purchased. Mixing component brand is not recommended. TeraFlex Inc. will not be responsible for any altered product or any improper installation or use of our products. We will be happy to answer any questions concerning the design, function, and correct use of our products. It is ultimately the buyer's responsibility to have all bolts/nuts checked for tightness after the first 100 miles and then every 3000 miles. Wheel alignment, steering system, suspension and drive line systems must be inspected by a qualified professional mechanic at least every 3000 miles.

TERAFLEX PRODUCT WARRANTY:

TeraFlex Inc. warrants TeraFlex Suspension products to the original retail purchaser to be free of defects in material and workmanship for as long as the original purchaser owns the vehicle on which products were originally installed.

Failure to complete regular maintenance (grease every 3000 miles) on TeraFlex FlexArms will void this warranty. All other conditions of the standard TeraFlex product warranty apply.

All TeraLow products are covered by the TeraFlex two (2) year warranty to be free of defects in material and workmanship for two years from date purchased.

TeraFlex axles are covered by a 12-month warranty to be free of defects in materials and workmanship.

This warranty does not cover or include product finish, improperly installed or applied products, improperly maintained products, products or components used for racing or competition or damage due to abuse or neglect, products that fail due to the use of larger tire and wheel combinations.

All returns must be accompanied by an original invoice. It is the customer's responsibility to remove the product from the vehicle. Shipping charges are the responsibility of the customer. TeraFlex Inc. will pay the return freight if the product meets the terms of warranty.

This warranty is for the replacement or repair of defective TeraFlex products only and does not include freight charges, labor charges for removal of or installation of TeraFlex or related products or components, costs incurred due to down time of the vehicle, or lost profits due to vehicle down time.

A returned goods authorization number (RGA#) must accompany any returned products. For more information please contact a TeraFlex customer service representative.

COPYRIGHT

©Copyright 2014. All rights reserved, TeraFlex Inc. Reproduction of this catalog and/or any of its contents without written permission is strictly prohibited.

TeraFlex® is a registered trademark of TeraFlex Inc. All trade names and logos including but not limited to TeraFlex, FlexArms, RockGuard, Monster, and LCG are protected by law and duplication of trade names and/or logos are strictly prohibited.

TeraFlex Inc. reserves the right to update, discontinue, redesign, modify finish, part number or component build parts if deemed necessary without written notice. TeraFlex Inc., and any associated dealers are not responsible for misprints or typographical errors that may have inadvertently been made within this instruction sheet.

Jeep® and the Jeep® grill are registered trademarks of Fiat Chrysler Automobiles N.V., and have no affiliation with TeraFlex Inc.

TERAFLEX, Inc.
5680 West Dannon Way
West Jordan, UT. 84081
Phone/801.713.3314
Fax/801.713.2313
www.teraflex.com