



# Installation Instructions Trek Top NX Plus 4-Door

Vehicle Application:  
Jeep® Wrangler Unlimited 2007-2017  
Part Number 56853

## Installation Tips

Before you begin installing your new Trek Top NX Plus, please read all the instructions thoroughly.


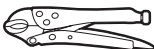






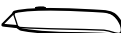




**WARNING** Do not rely in any way on the components of this product to protect against injury or death in the event of an accident. Never operate the vehicle in excess of manufacturer's specifications.

Read and follow, precisely, all installation instructions provided when installing this product. Failure to do so may result in a poor fit and could place occupants of the vehicle in a potentially dangerous situation.



## WEAR SEAT BELTS AT ALL TIMES

**CAUTION** Safety glasses should be worn at all times when installing this product.

Tools				Installation Time	Support
 #2 Phillips Screwdriver	 Vise-Grips	 Ratchet	 Sockets: 3/8" 8mm, 13mm	 <b>4 hours</b>	We're here to help! Go to <a href="http://www.Bestop.com">www.Bestop.com</a> and click on "Contact Us"
 Safety Glasses	 Adjustable Wrench	 3mm Allen Wrench	 Utility Knife	<b>Skill Level</b>     <b>3 - Moderately Difficult</b>	



## Installation Instructions Trek Top NX Plus 4-Door

Vehicle Application:  
Jeep® Wrangler Unlimited 2007-2017  
Part Number 56853

### Sugerencias de Instalación

**Antes de empezar a instalar esta unidad, lea atentamente todas las instrucciones.**

**Para un buen ajuste:**

Para facilitar la instalación, el producto debe instalarse a temperaturas superiores a 72 °F (22 °C).

Por debajo de esta temperatura, la tela puede encogerse una pulgada o más, lo que dificultaría su ajuste al vehículo.

Es normal que la tela se contraiga o arrugue cuando está guardada en la caja de empaque. A los pocos días después de la instalación, la tela se relajará y las arrugas desaparecerán.



#### ADVERTENCIA

Este producto se diseñó principalmente para mejorar la apariencia del vehículo y proteger a los ocupantes de las condiciones climáticas comunes. De ninguna manera piense que los componentes de este producto pueden servir como medio de contención para los ocupantes del vehículo o que pueden protegerlos contra lesiones o la muerte en caso de accidente. Este producto no protegerá a los ocupantes contra caídas de objetos. Nunca conduzca este vehículo fuera de las especificaciones del fabricante.

#### USE LOS CINTURONES DE SEGURIDAD EN TODO MOMENTO

Lea y siga con precisión todas las instrucciones de instalación que se proporcionan para instalar este producto. Si no lo hace, podría producirse un mal ajuste que colocaría a los ocupantes del vehículo en una situación potencialmente peligrosa.



#### PRECAUCIÓN

Debe usar gafas protectoras en todo momento durante la instalación de este producto.

### Conseils pour l'installation

**Lire toutes les instructions au complet avant de commencer l'installation de cet assemblage.**

**Pour un ajustement sans problème :**

Afin de faciliter l'installation, ce produit doit être installé à des températures au-dessus de 72 °F (22 °C).

Sous cette température, le tissu peut rétrécir d'un pouce (2,5 cm) ou plus, ce qui rendra l'ajustement sur le véhicule difficile.

Il est normal que le tissu rétrécisse et plisse pendant qu'il est dans la boîte d'expédition. En quelques jours après l'installation, le tissu se détendra et les plis disparaîtront.



#### AVERTISSEMENT

Ce produit est conçu principalement pour améliorer l'apparence du véhicule et pour protéger les occupants des conditions météorologiques usuelles. Ne jamais se fier aux composants de ce produit pour se protéger de blessures ou de la mort en cas d'accident. Ce produit ne protégera pas les occupants des chutes d'objets. Ne jamais utiliser le véhicule au-delà des caractéristiques techniques indiquées par le fabricant.

#### PORTER UNE CEINTURE DE SÉCURITÉ EN TOUT TEMPS

Lire et suivre, très fidèlement, toutes les instructions d'installation fournies lors de l'installation de ce produit. Ne pas suivre cette consigne peut causer une installation inadéquate et mettre les occupants du véhicule dans une situation potentiellement dangereuse.



#### MISE EN GARDE

Des lunettes de sécurité doivent être portées en tout temps lors de l'installation de ce produit.

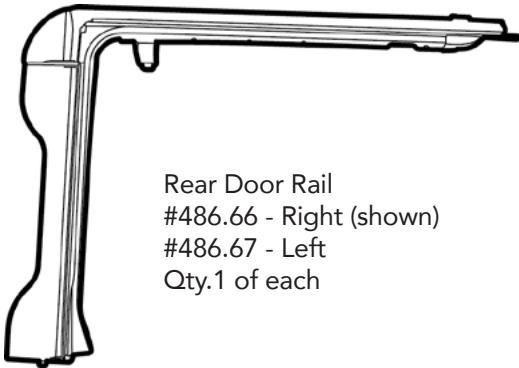
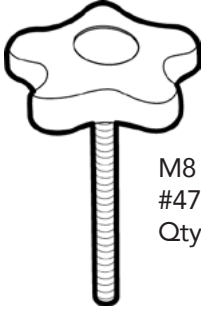
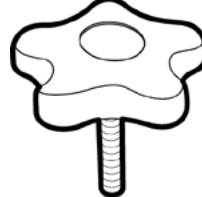
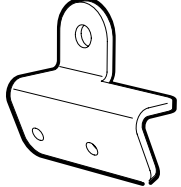
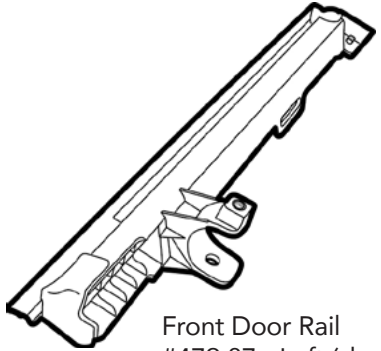
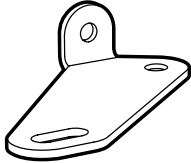
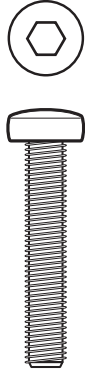
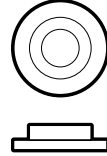
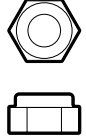
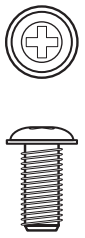


# Installation Instructions Trek Top NX Plus 4-Door

Vehicle Application:  
Jeep® Wrangler Unlimited 2007-2017  
Part Number 56853

## Parts List

- Required parts for installation - Page number in Installation Guide

Sections 1 & 2	Rear Door Rails, Knobs, Sunrider Pivot Bracket			Pages 5 & 6 of Guide	
 <p>Rear Door Rail #486.66 - Right (shown) #486.67 - Left Qty.1 of each</p>	 <p>M8 x 75mm Knob #478.90 Qty.4</p>	 <p>M8 x 30mm Knob #480.22 Qty.2</p>	 <p>Sunrider Pivot Bracket #544.18 - Right (shown) #544.19 - Left Qty. 1 per side</p>		
Sections 2 & 3	Front Door Rails, #2 Bow Pivot Bracket			Pages 6 & 7 of Guide	
 <p>Front Door Rail #479.87 - Left (shown) #479.86 - Right Qty. 1 of each</p>	 <p>#2 Bow Pivot Bracket #541.88 - Right (shown) #541.87 - Left Qty. 1 per side</p>	 <p>M5 x 35mm Screw Part #514.62 Qty. 2t</p>	 <p>Plastic Bushing Part #473.40 Qty. 4</p>	 <p>M5 Nylon Lock Nut Part #526.76 Qty. 2</p>	 <p>#10-24 x 3/8" Machine Screw Part #195.92 Qty. 4</p>

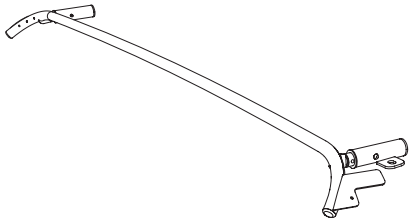

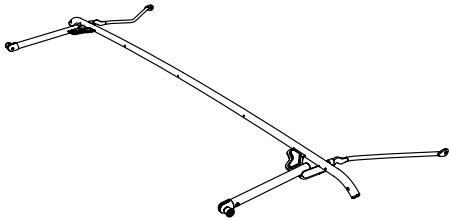



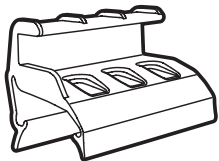
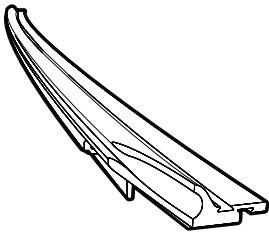
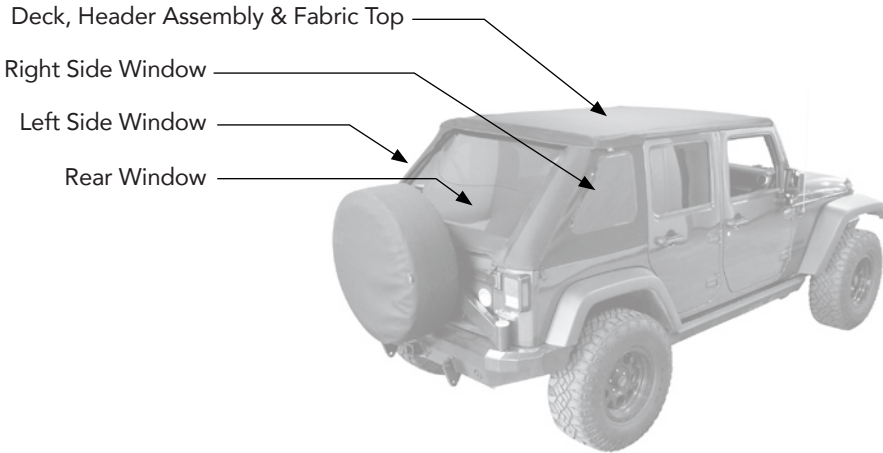


# Installation Instructions Trek Top NX Plus 4-Door

Vehicle Application:  
Jeep® Wrangler Unlimited 2007-2017  
Part Number 56853

## Parts List

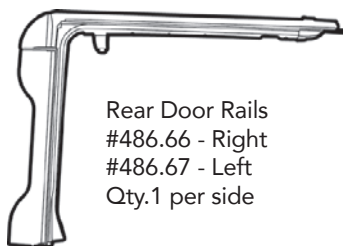
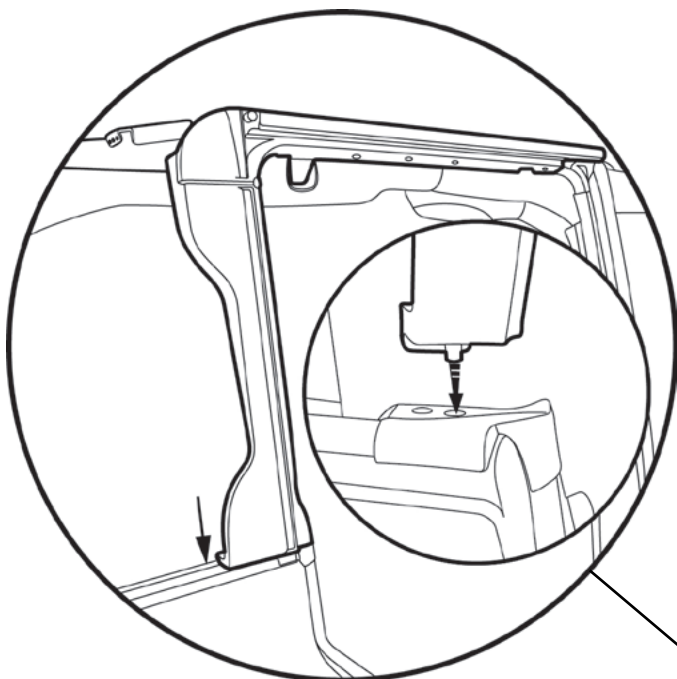
- Required parts for installation - Page number in Installation Guide

Sections 3 to 8		#3 Bow, Rear Top Arch, #2 Bow, Foam Seals		Page 7 to 12 of Guide	
 <p>#3 Bow Assembly #542.40 Qty. 1</p>	 <p>Rear Top Arch #483.27 Qty. 1</p>	 <p>#2 Bow Assembly #541.18 Qty. 1</p>	 <p>Foam Tape Strips #417.43 Qty. 2</p>	 <p>Foam Seals #457.76 - Right #457.77 - Left Qty. 1 per side</p>	
Sections 9 to 16		Loop Strips, Tailgate Bar Mounts & Tailgate Bar, Windows		Pages 13 to 22 of Guide	
 <p>Adhesive Fabric Loop Strips Part #546.15 Qty. 2</p>	 <p>Tailgate Bar Mounts #539.57 - Left (shown) #539.56 - Right Qty. 1</p>	 <p>Tailgate Bar #538.76 Qty. 1</p>	 <p>Deck, Header Assembly &amp; Fabric Top</p> <p>Right Side Window</p> <p>Left Side Window</p> <p>Rear Window</p>		

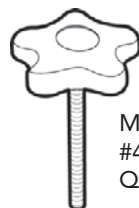
**Step 1** 486.67 486.68

**Hardware**

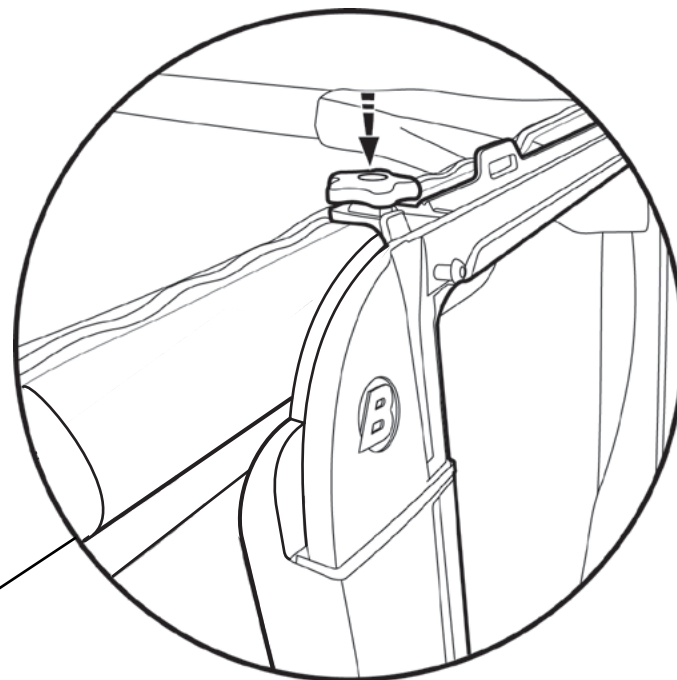
**Step 2** 478.90



Rear Door Rails  
#486.66 - Right  
#486.67 - Left  
Qty. 1 per side



M8 x 75mm Knob  
#478.90  
Qty. 1 per side

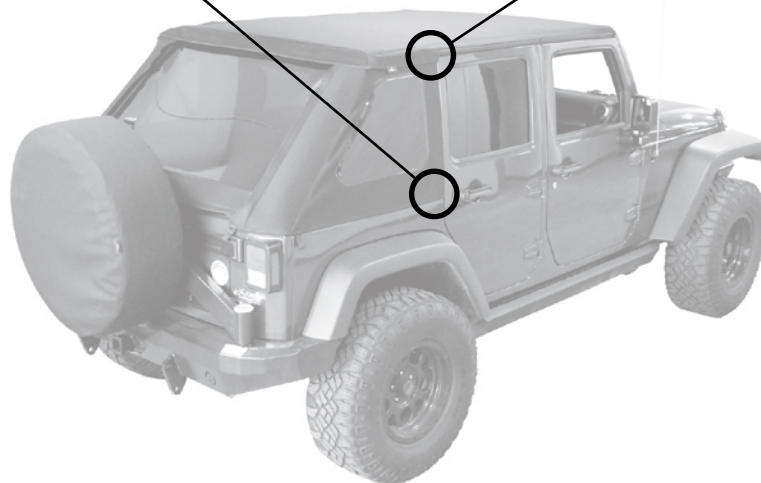


**Step 1**

Open the Rear Door.

Insert the pin in the bottom of the right Rear Door Rail #486.66 into the hole in the belt rail behind the rear door opening. Press the channel along the top of the Rear Door Rail around the horizontal sport bar.

Repeat on the left side of the vehicle.



**Step 2**

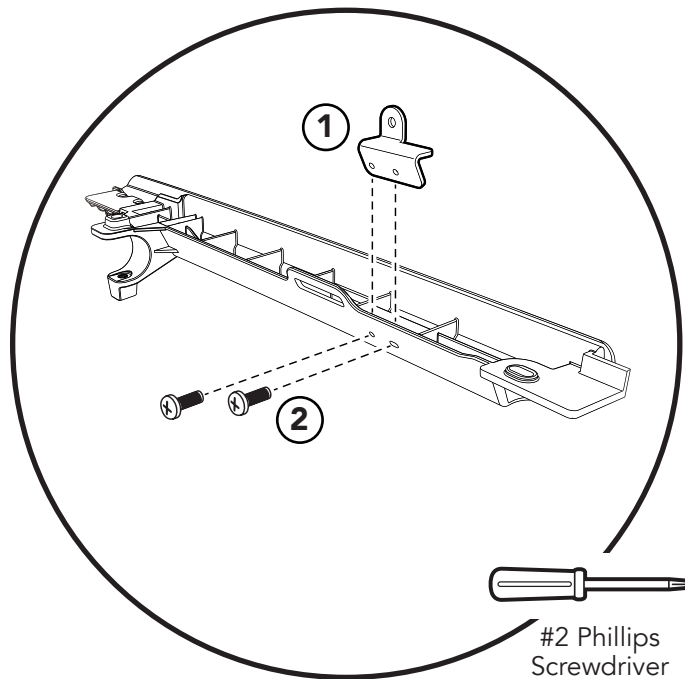
Insert one (1) M8 x 75mm Knob #478.90 into the rear position on the right Rear Door Rail #486.67.

Repeat on the left side of the vehicle.

<b>Step 1</b>	544.18	544.19	479.86	479.87	195.92
---------------	--------	--------	--------	--------	--------

**Hardware**

<b>Step 2</b>	478.90	480.220
---------------	--------	---------



Sunrider Pivot Bracket  
 #544.18 - Right (shown)  
 #544.19 - Left  
 Qty. 1 per side

Front Door Rail  
 #479.86 - Right (shown)  
 #479.87 - Left  
 Qty. 1 per side

#10-24 x 3/8"  
 Machine Screw  
 Part #195.92  
 Qty. 4

M8 x 75mm Knob  
 #478.90  
 Qty. 2

M8 x 30mm Knob  
 #480.22  
 Qty. 2

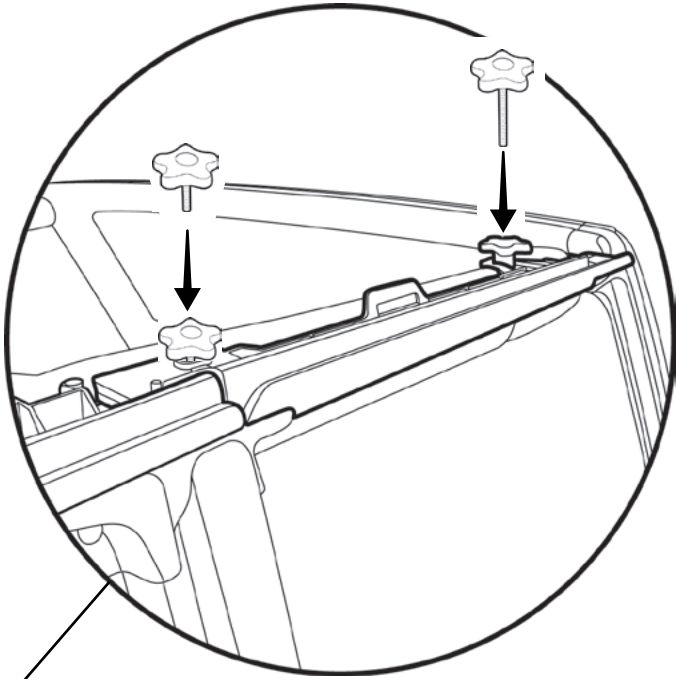


#2 Phillips  
 Screwdriver

**Step 1**

Attach the right Sunrider Pivot Bracket #544.18 to the right Front Door Rail #479.86 using two (2) #195.92 Screws.

Repeat on the left side of the vehicle, using the #544.19 Left Sunrider Bracket.



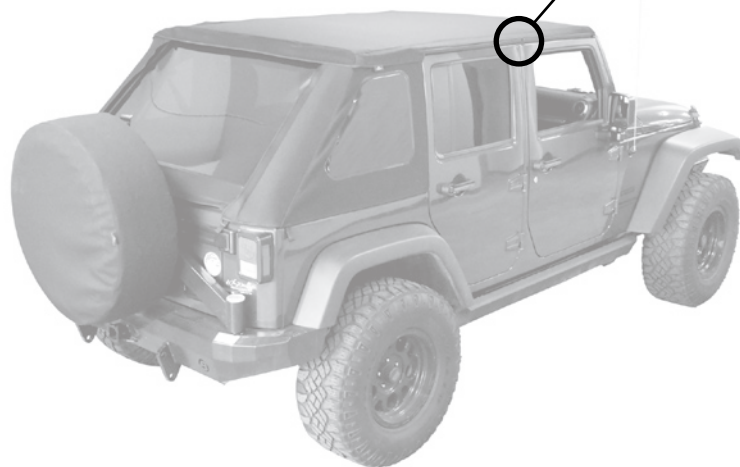
**Step 2**

Open the front door.

Position the right Front Door Rail #479.86 on the sport bar above the passenger side door and press it into place on the sport bar.

Secure the Front Door Rail in place with one (1) M8 x 75mm Knob #478.90 at the front, and one M8 x 30mm Knob #480.22 at the rear, where the Front Door Rail and Rear Door Rail overlap.

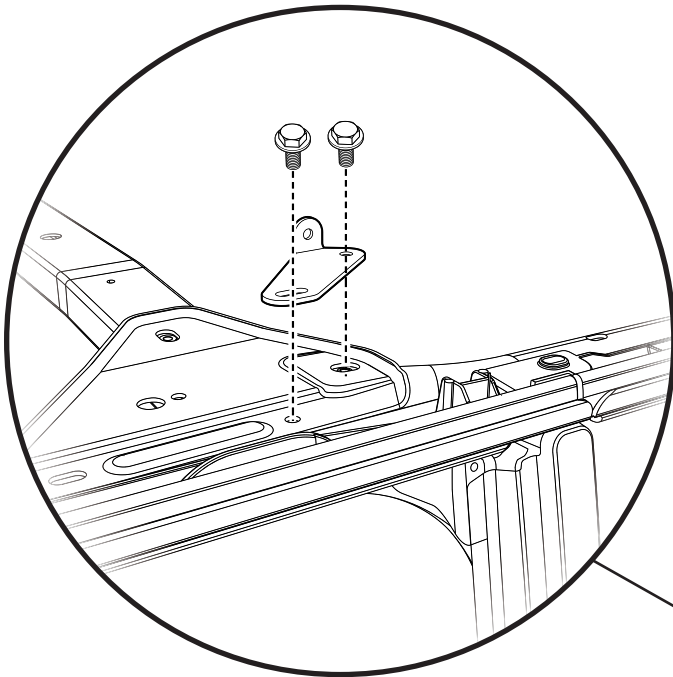
Repeat on the left side of the vehicle.



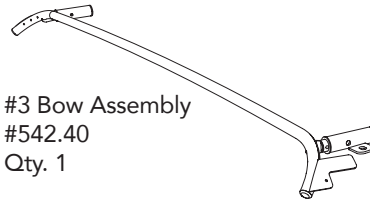
**Step 1** 541.87 541.88

**Hardware**

**Step 2** 542.40



#2 Bow Pivot Bracket  
#541.88 - Right (shown)  
#541.87 - Left  
Qty. 1 per side



#3 Bow Assembly  
#542.40  
Qty. 1

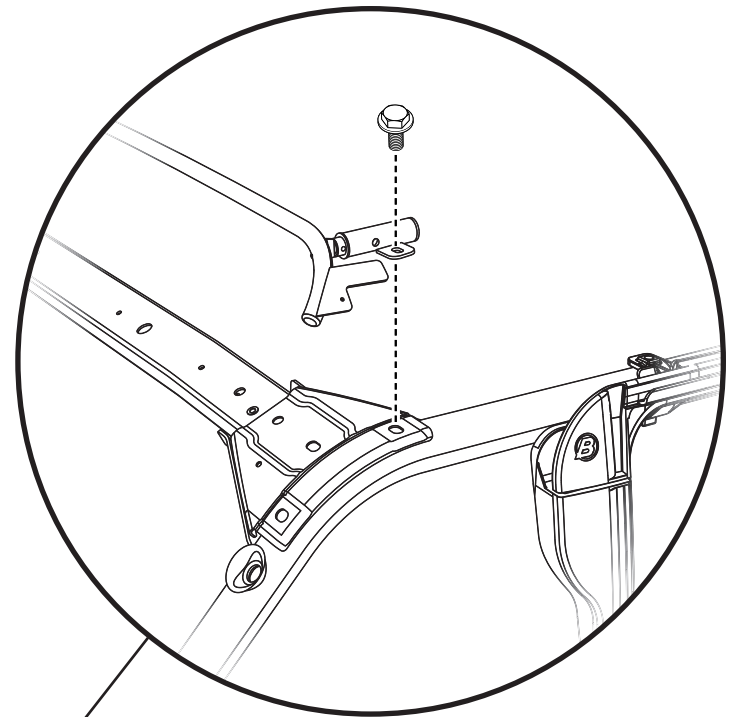
**Tools**



Ratchet



13mm Socket



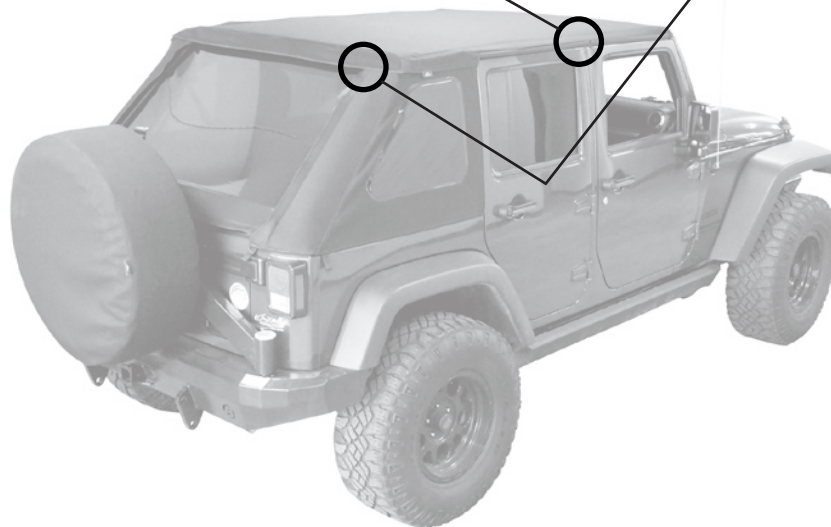
**Step 1**

Unzip the sport bar cover over the middle cross bar between the front and rear doors, to expose the sport bar corner plate, and two factory-installed hex-head bolts.

Attach the Right #2 Bow Pivot Bracket #541.88 to the right side sport bar plate using the two factory bolts.

Zip the sport bar cover closed, locate the vertical tab on the #2 Bow Pivot Bracket, and slit the sport bar cover to allow this tab to protrude from the cover.

Repeat on the left side of the Jeep.



**Step 2**

Unzip the sport bar cover over the rear cross bar, to expose the sport bar corner plates, and the factory-installed hex-head bolts on each side. Remove these bolts.

Slit the sport bar cover just to the inside of each bolt location to allow the horizontal tab on each side of the #3 Bow to slip through the slit.

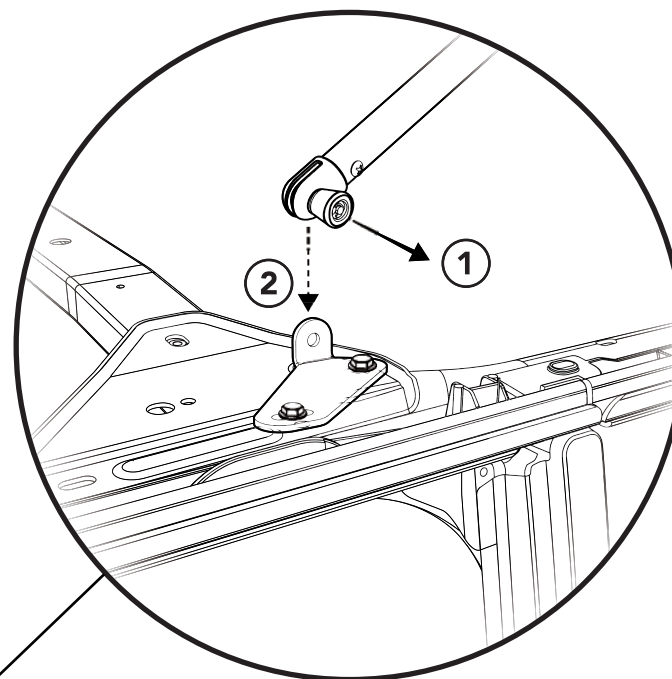
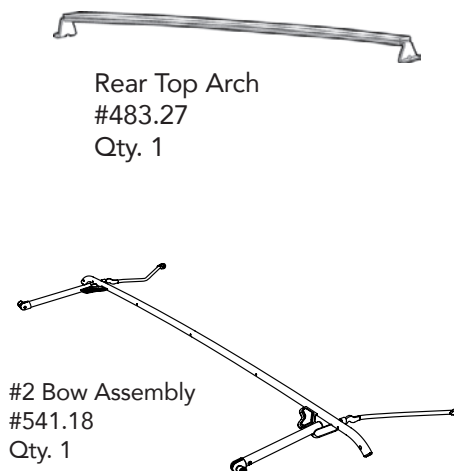
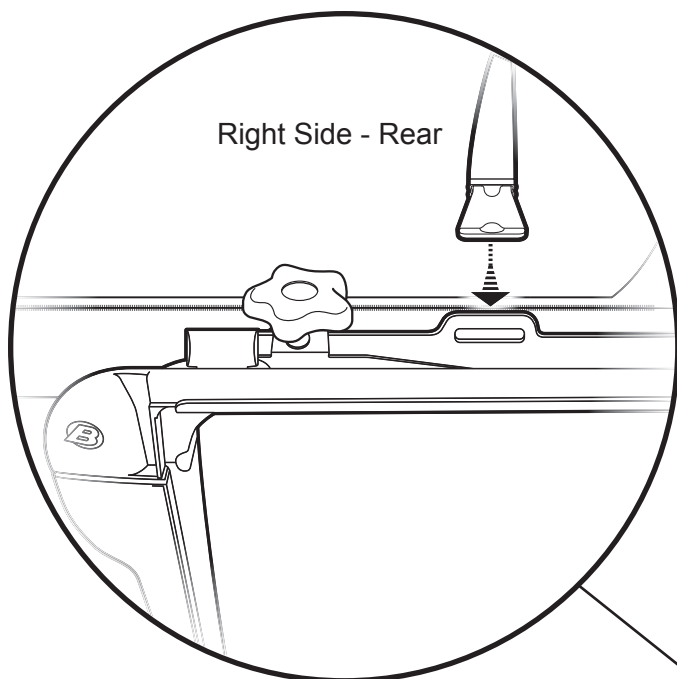
Attach the #3 Bow #542.40 to the sport bar corner plates using the bolts you removed.

Tighten the bolts, and zip the sport bar cover closed.

**Step 1** 483.27

**Hardware**

**Step 2** 541.18



**Step 1**

Insert one end of the Rear Top Arch #483.27 into the slot in the middle of the Rear Door Rail on the opposite side of the Jeep from you.

Push the near end of the Top Arch inward while pushing up in the middle of the Top Arch to flex the Arch, so you can insert it into the slot on top of the Rear Door Rail on your side of the Jeep.

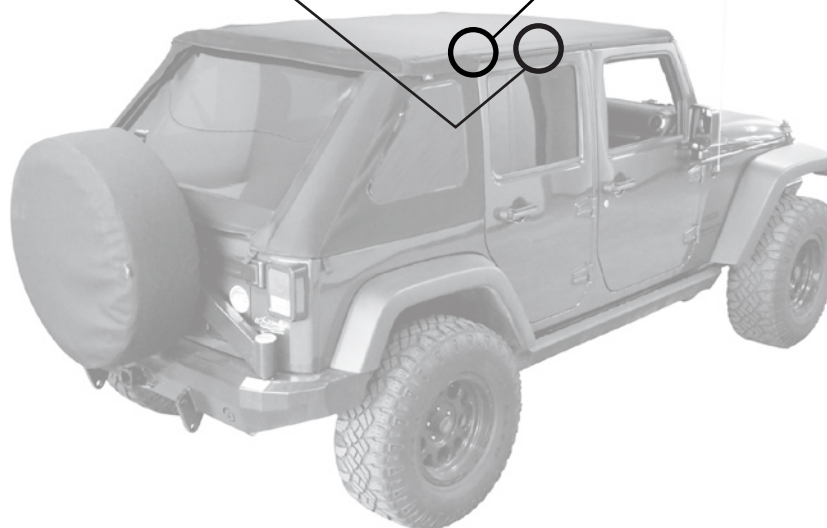
**Step 2**

Attach #2 Bows #541.18 to the #2 Bow Pivot Brackets on each side.

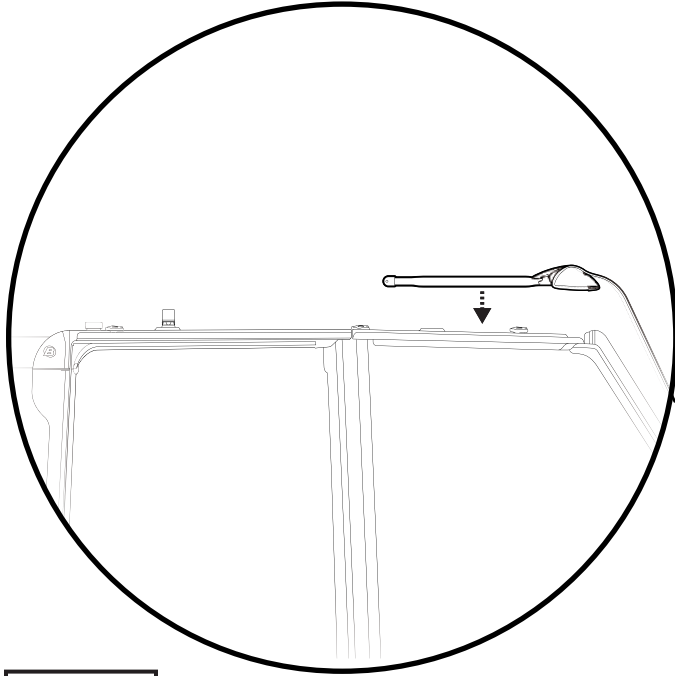
① Pull out on the knob to release the spring-loaded catch on the #2 Bow rear legs, and

② Slide the slotted end of the catch over the #2 Bow Pivot Bracket tab protruding from the sport bar cover.

Make sure that the spring catch snaps into place on each #2 Bow Pivot Bracket tab.

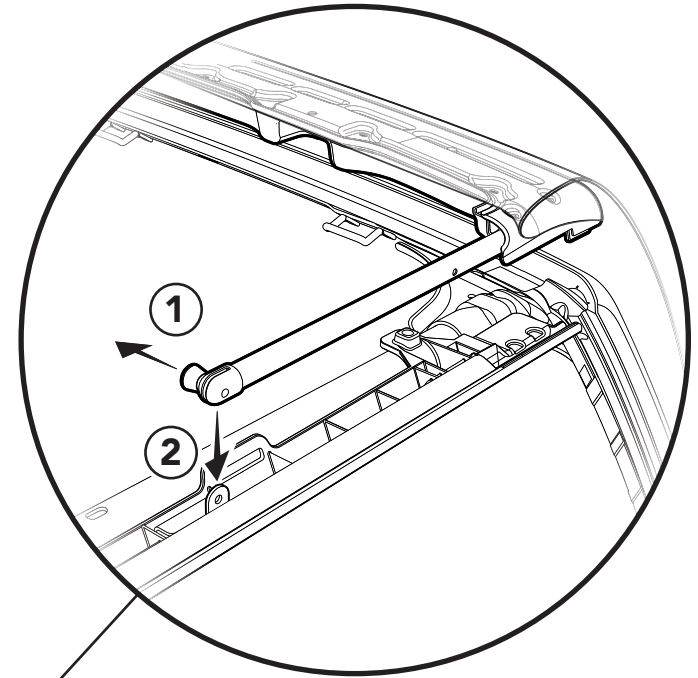




**Step 1** Header/Fabric/Side Bow Assembly**Step 1**

Lift the Header/Side Bow Assembly onto the top of the Jeep, with the Header sitting on top of the the Jeep windshield, and the fabric draped forward over the Jeep hood.

You may want to protect the finish of the Jeep by putting a blanket across the Jeep Hood.

**Step 2****Step 2**

Attach the right Side Bow to the Right Sunrider Pivot Bracket #544.18.

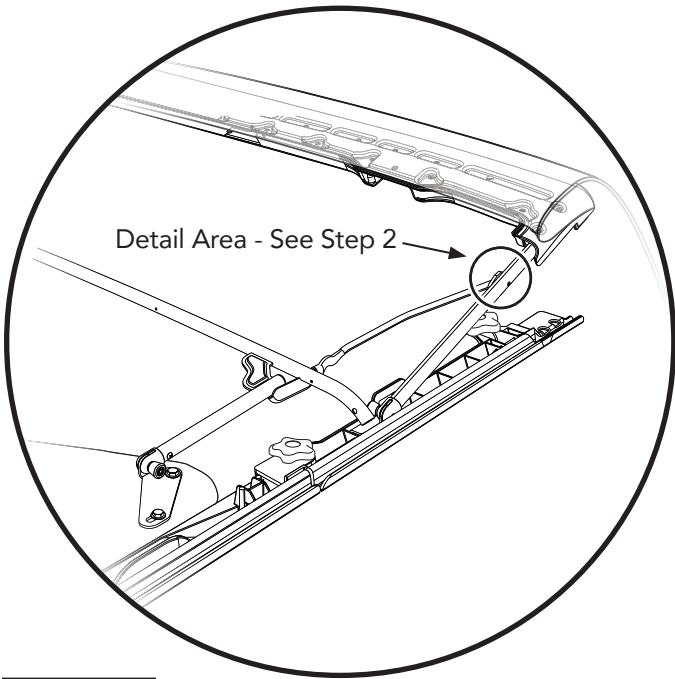
① Pull out on the spring catch release knob;

② Slide the slotted end of the Side Bow over the vertical tab on the Sunrider Pivot Bracket, and release the knob, making sure that the catch snaps into place on the Pivot Bracket tab.

Repeat on the left side of the Jeep.



**Step 1** #2 Bow Assembly

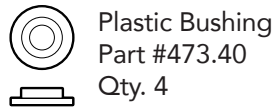
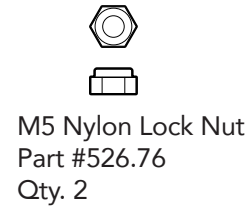
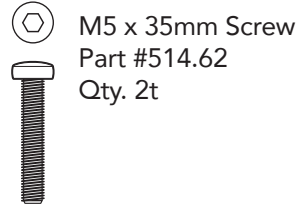


**Step 1**

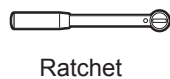
Lift the Side Bow/Header up and locate the hole in the Side Bow near the Header.

Using this hole in the Side Bow, attach the #2 Bow to the Side Bow.

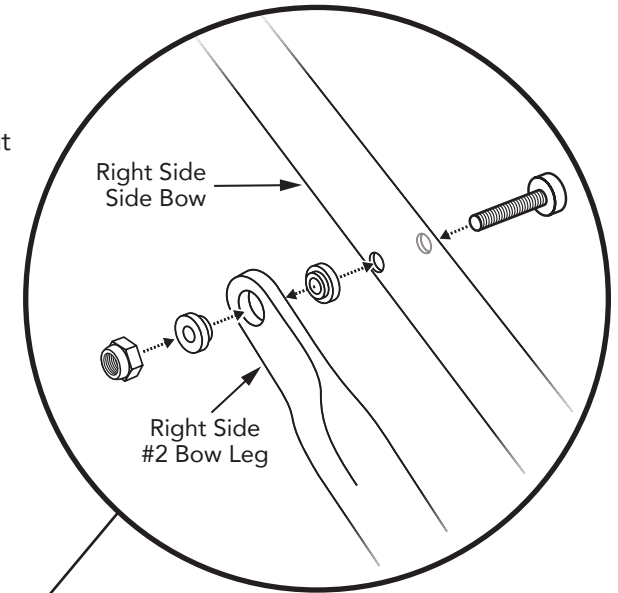
**Hardware**



**Tools**



**Step 2**



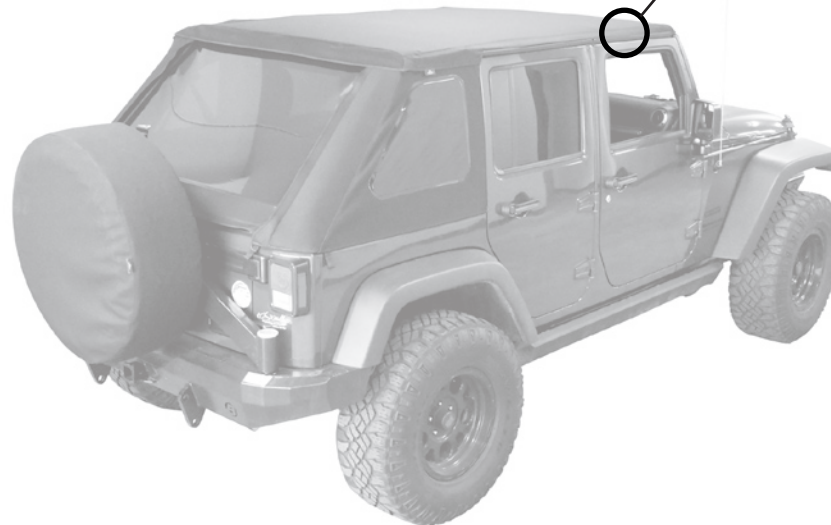
**Step 1**

Secure the #2 Bow to the Side Bow using one (1) Machine Screw #541.62, two (2) Plastic Bushings #473.40, and one (1) Nylon Lock Nut #526.76.

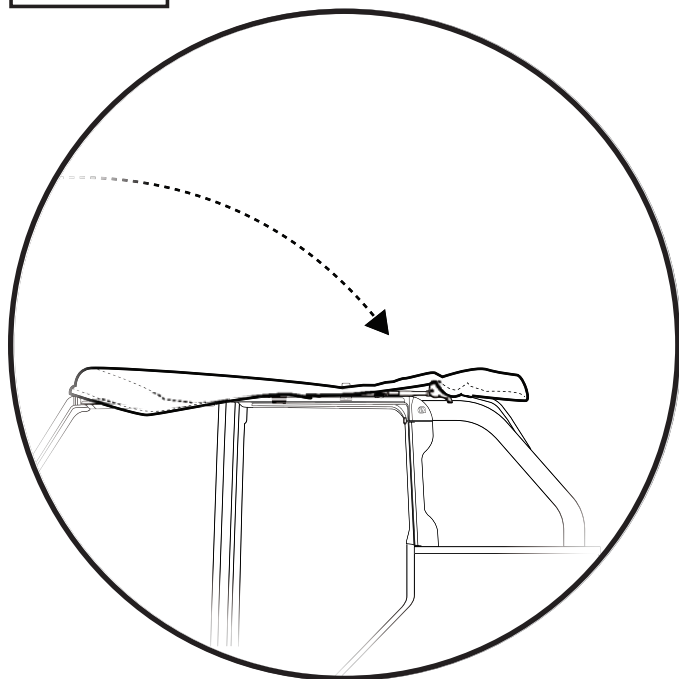
The Plastic Bushings go on both sides of the flat portion of the #2 Bow leg.

The Nylon Lock Nut goes on the inboard side of the Side Bow.

**NOTE:** Do not overtighten, to avoid damaging the plastic bushings.



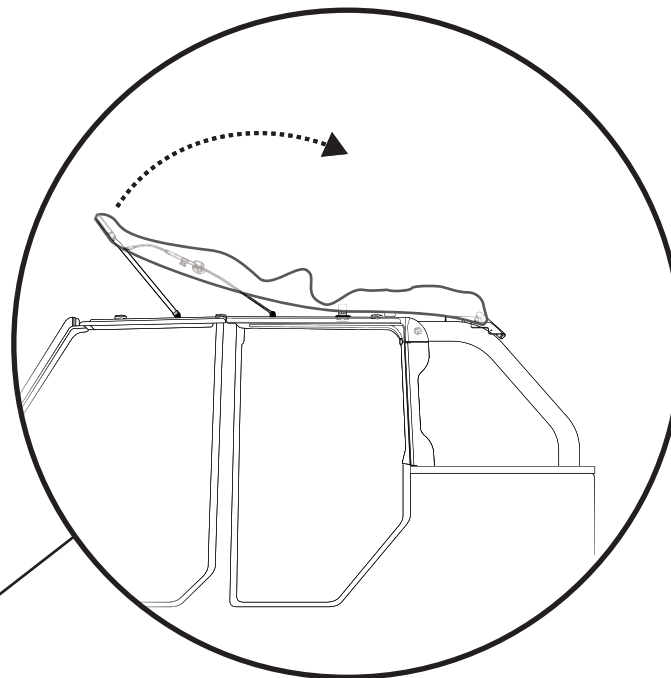
**Step 1**



**Step 1**

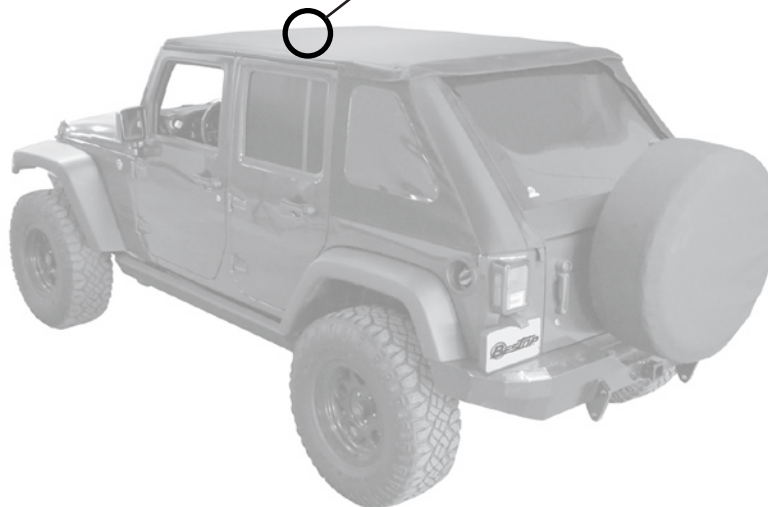
Lift the fabric and drape it back over the top of the Jeep, pulling it over the top of the #2 Bow, Top Arch and #3 Bow.

**Step 2**

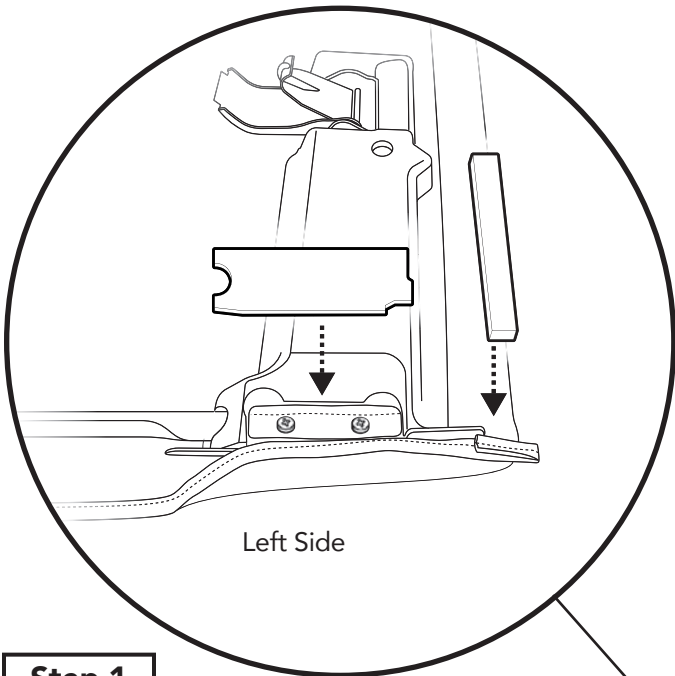


**Step 2**

Fold the Sunrider back from the front pivot point, resting the front portion of the top on the rear portion.



**Step 1** 417.43 457.76 457.77



Left Side

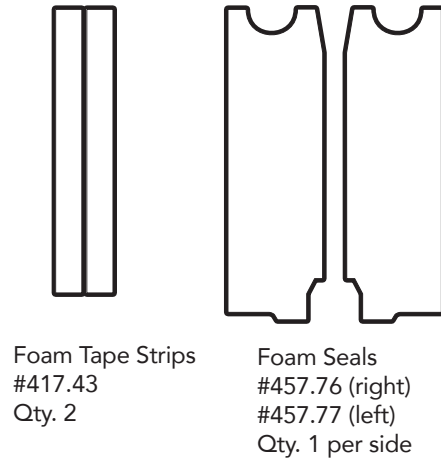
**Step 1**

With the Sunrider folded back, locate the two (2) Foam Seals #457.76 (right) and #457.77 (left).

Remove the protective liner from the back side of the left Foam Seal #457.76 and place the Seal in the location shown above.

Repeat on the right side of the Header.

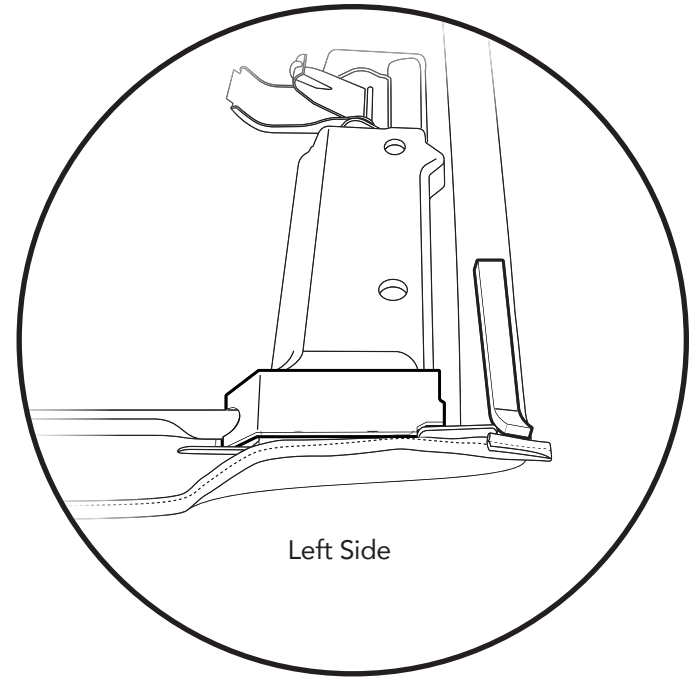
**Hardware**



Foam Tape Strips  
#417.43  
Qty. 2

Foam Seals  
#457.76 (right)  
#457.77 (left)  
Qty. 1 per side

**Step 2**

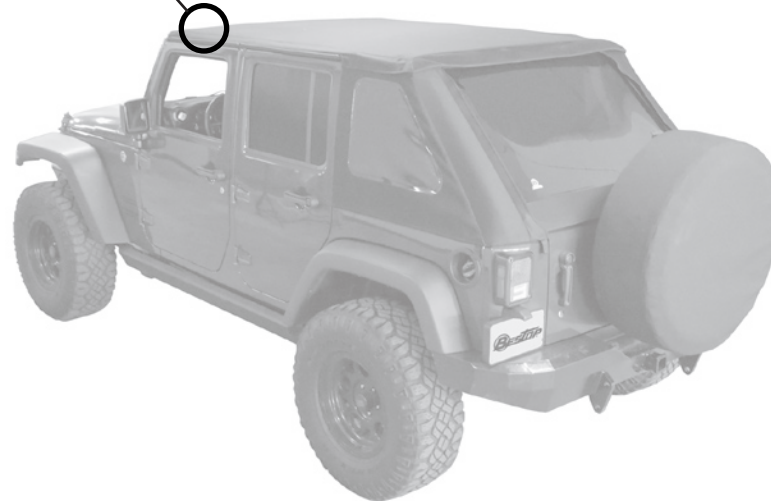


Left Side

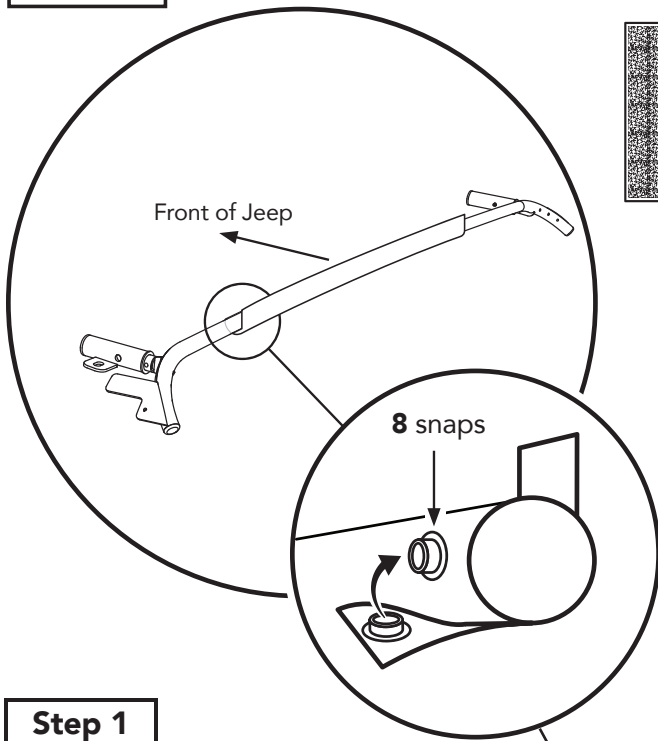
**Step 2**

Remove the protective liner from the back side of one the Foam Tape Strips, and place the Strip in the location shown above, on the left side of the Header.

Repeat on the right side of the Header.



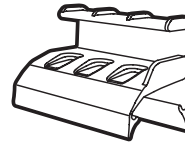
**Step 1**



**Hardware**

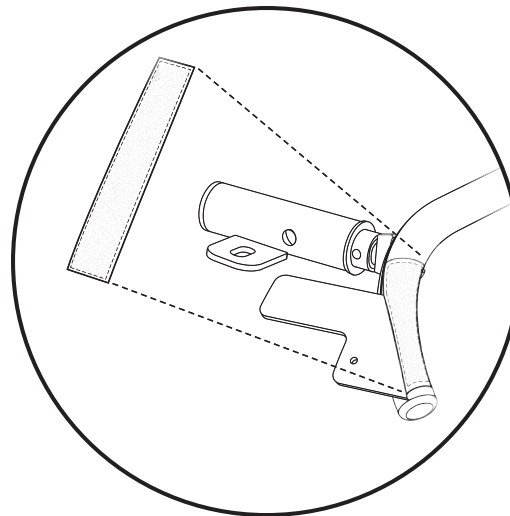


Adhesive  
Fabric Loop  
Strip  
Part # 546.15  
Qty. 2



Tailgate Bar Mounts  
#539.57 - Left  
#539.56 - Right (shown)  
Qty. 1 of each

**Step 2** 546.15



**Step 1**

From inside the Jeep, wrap the flap located underneath the #3 Bow under the #3 Bow from the back, and snap the eight (8) snaps on the fabric flap to the snaps on the front-facing side of the #3 Bow.

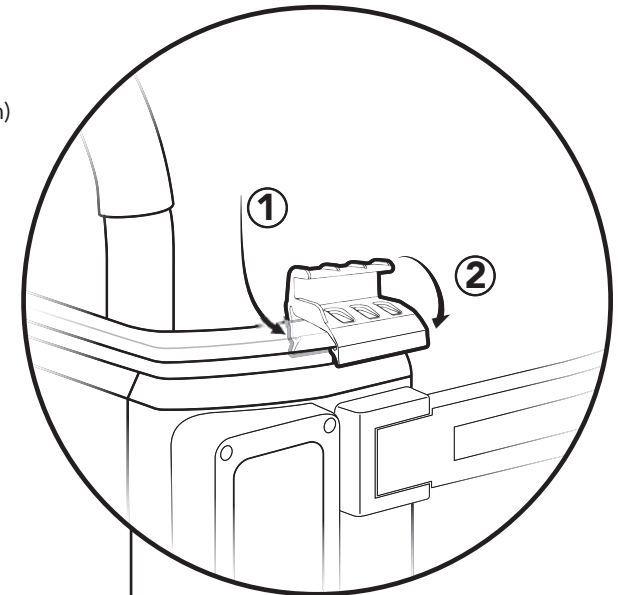
**Step 2**

Attach one (1) Adhesive Fabric Loop Strip #546.15 to each end of the Rear Bow as shown. The Loop Strips should align with the Hook Strips on the underside of the fabric top.

**Step 3**

539.56

539.57

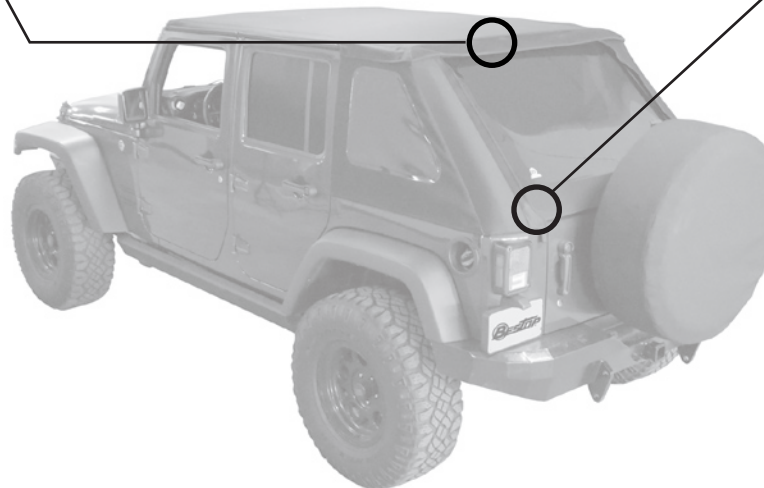


**Step 3**

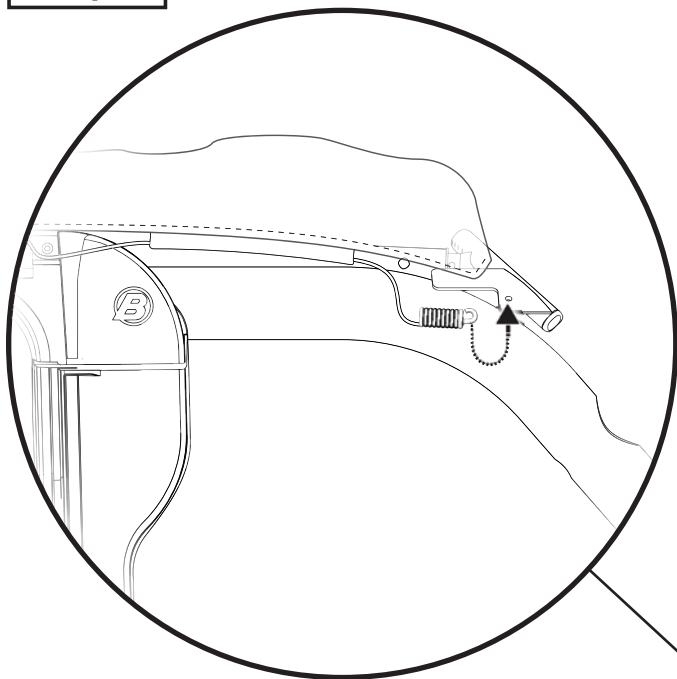
Locate the Left and Right Tailgate Bar Mounts, #539.56 and #539.57. Each bar mount snaps onto the Jeep belt rail just outboard of the tailgate opening.

Snap each mount into place by:

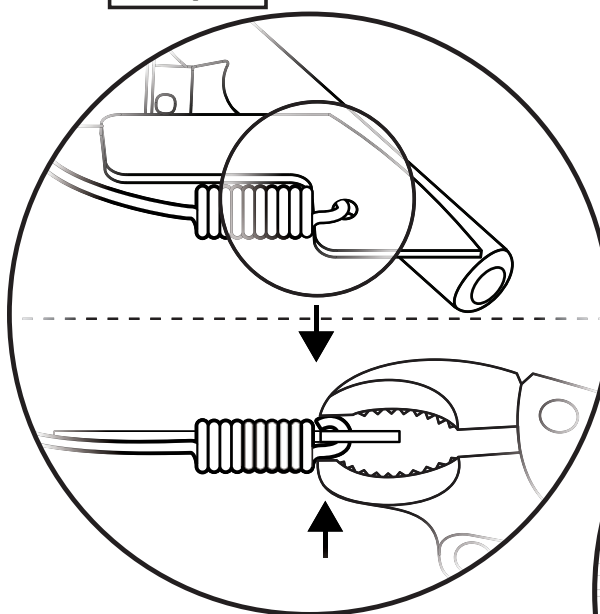
- ① Hooking the inner catch portion of the mount under the belt rail on the inside of the tailgate, and then
- ② Rolling the mount downward until it snaps into place under the bottom edge of the outside belt rail.



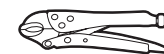
**Step 1**



**Step 2**

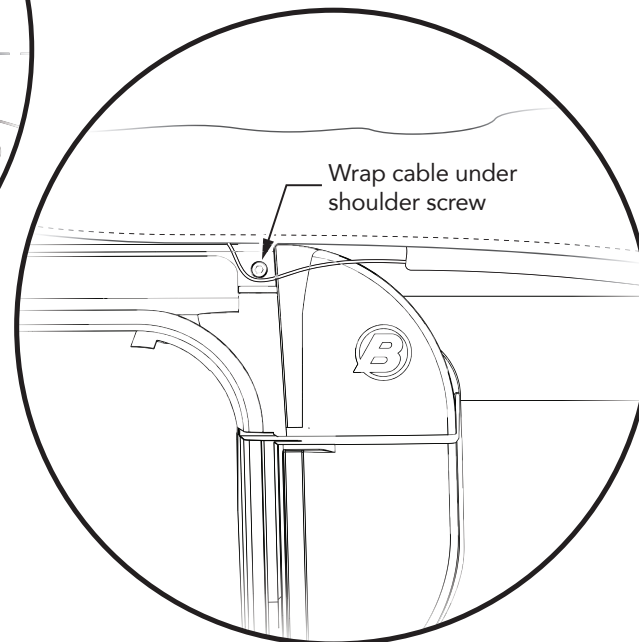


**Tools**



Vise-Grips

**Step 3**



**Step 1**

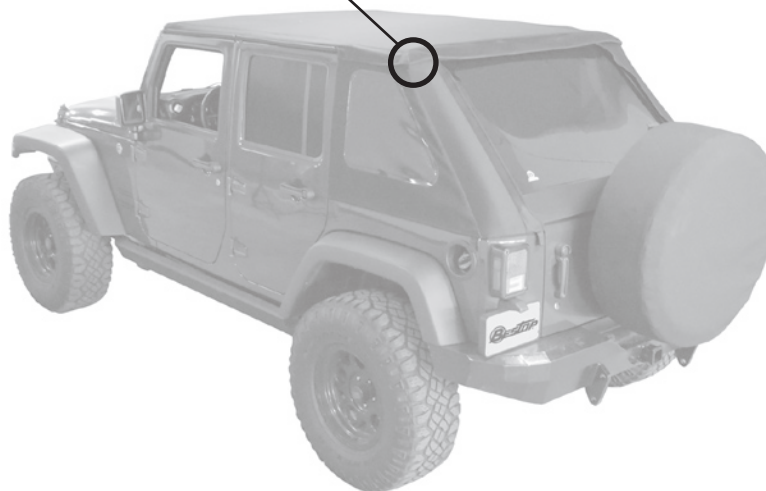
Attach the free end of the Cable Spring to the bottom hole in the #3 Bow corner plate, just above the bend in the rear leg of the sport bar.

**Step 2**

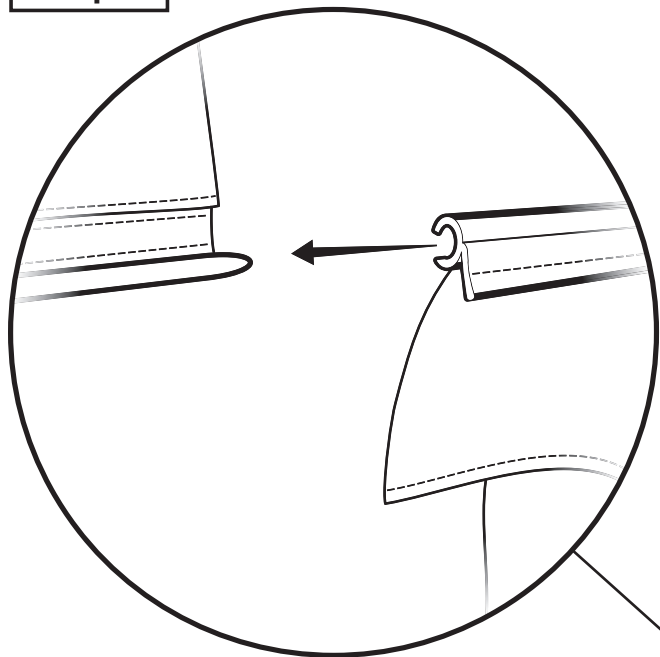
Crimp the end of the spring where it passes through the hole in the #3 Bow corner plate, to prevent it from coming loose.

**Step 3**

Wrap the cable under the protruding shaft of the Shoulder Screw at the top of the Rear Door Rail.



Step 1



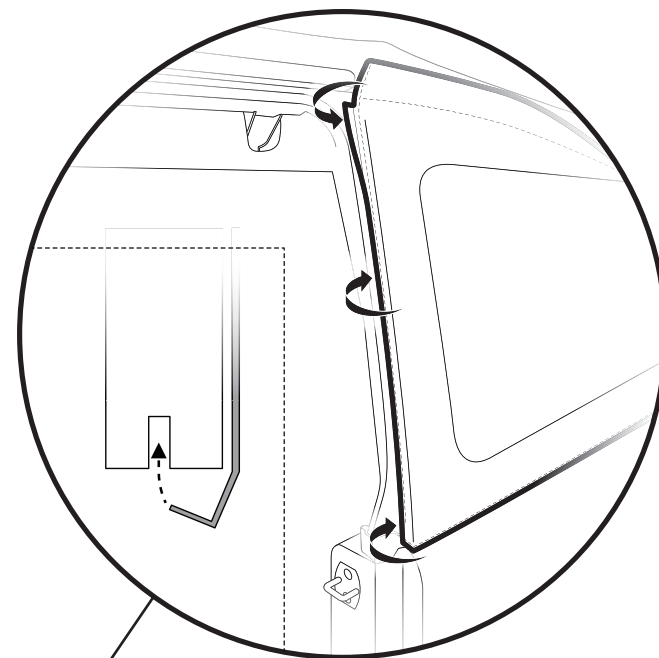
Step 1

Locate the plastic channel along the lower edge of the top fabric.

Insert the tapered tip of the sewn-in plastic tube at the top edge of the left Quarter Window into the open end of the rear of the channel sewn onto the bottom edge of the top fabric and slide the Quarter Window forward until it stops at the back of the Rear Door Rail.

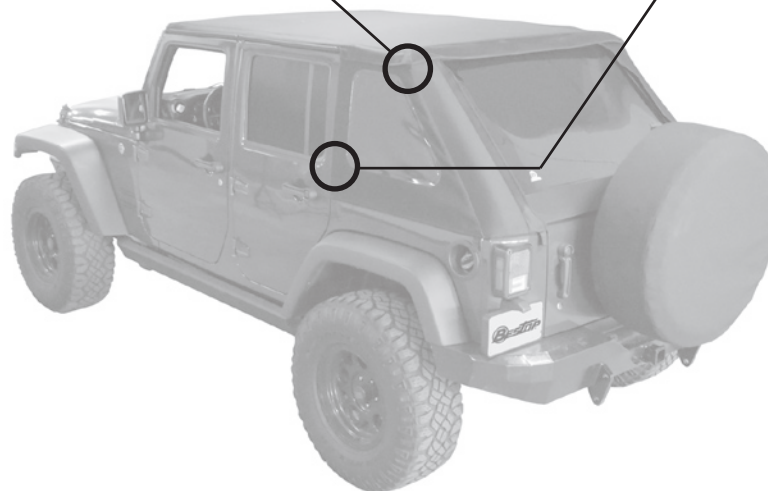
Repeat on the right Quarter Window.

Step 2

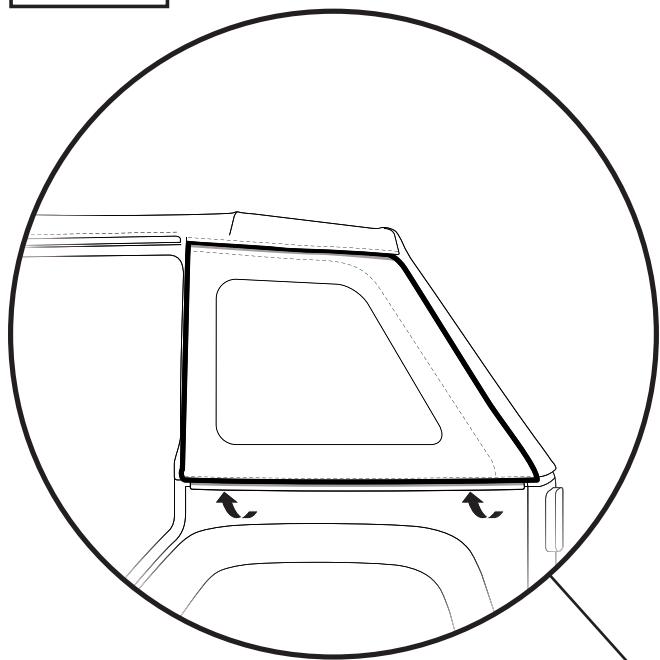


Step 2

Tuck the plastic angle strip along the front edge of the left Quarter Window into the vertical channel on the front of the Rear Door Rail. The plastic angle strip and attached fabric must be rolled into place in the channel.



**Step 3**

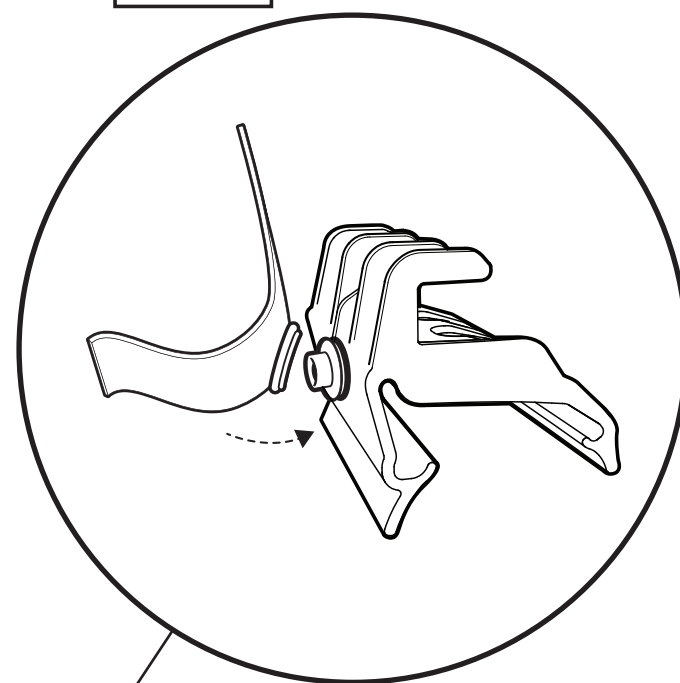


**Step 3**

Tuck the plastic strip along the bottom edge of the right Quarter Window under the Jeep belt rail, by rolling it up underneath the belt rail, beginning at the rear, and working your way forward.

Repeat on the left Quarter Window.

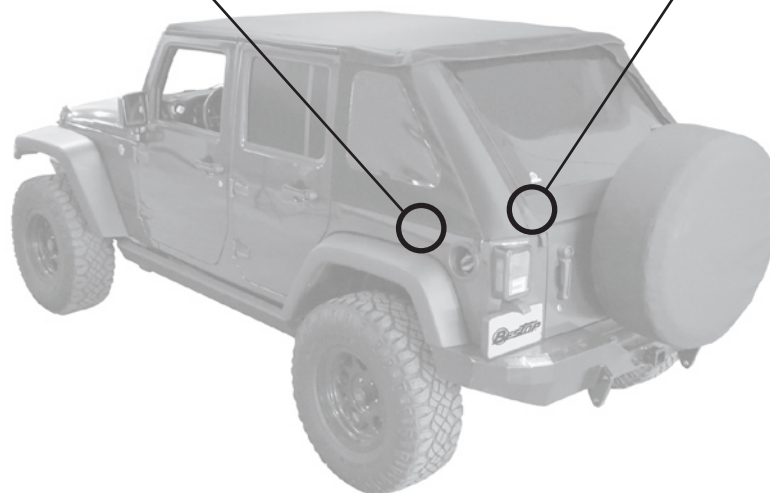
**Step 4**



**Step 4**

Locate the sewn-in straps with snaps at the bottom inside corner of each Quarter Window.

Snap the end of each strap to the snap on the inside of each Tailgate Bar Mount.

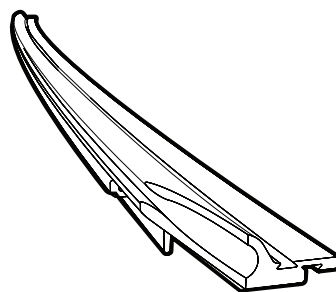
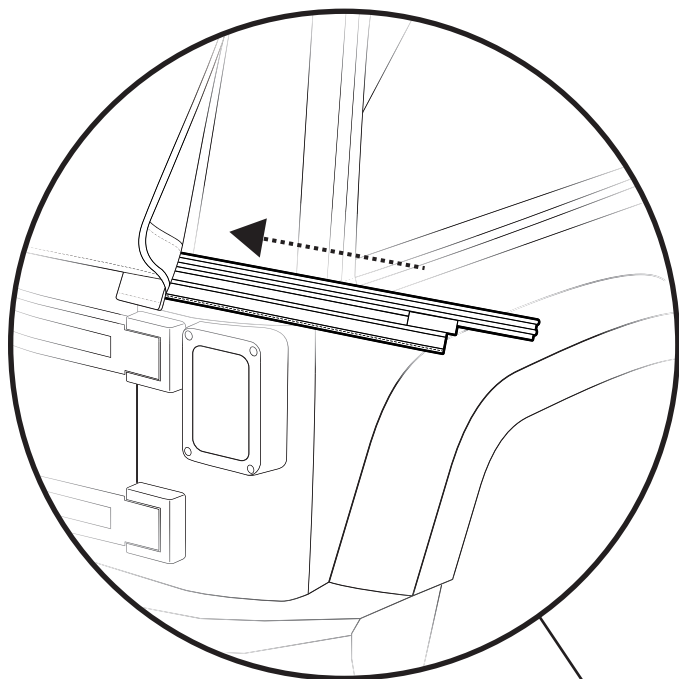




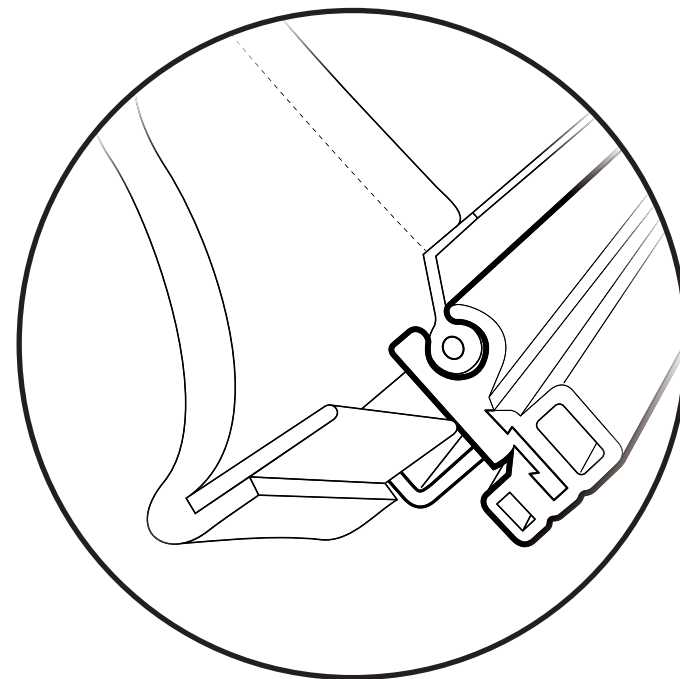
**Step 1** 538.76

**Hardware**

**Step 2**



Tailgate Bar  
#538.76  
Qty. 1

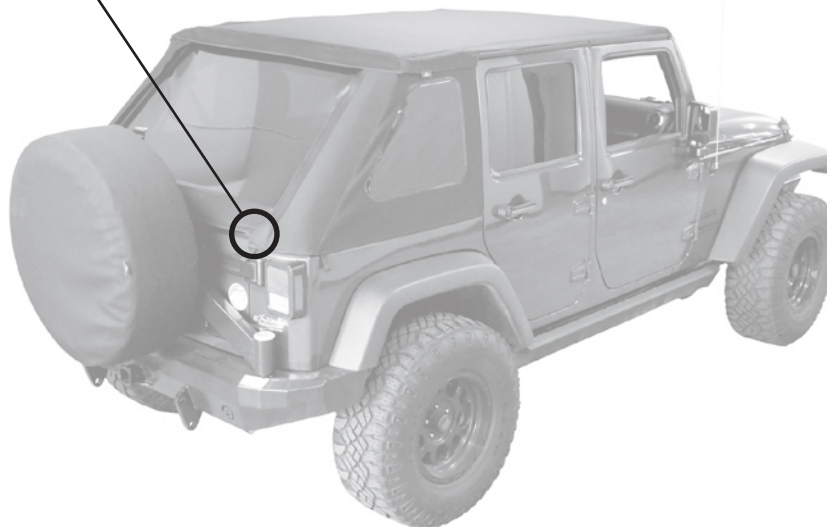


**Step 1**

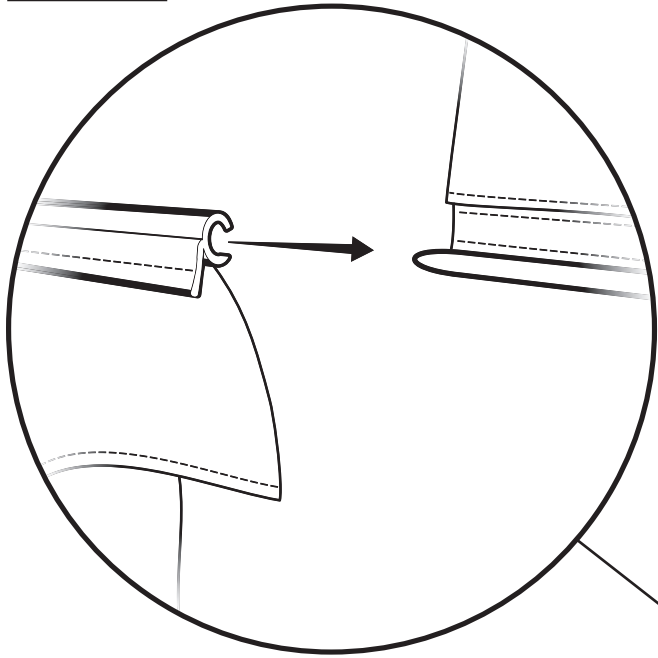
Locate the Tailgate Bar #538.76, and slide it onto the tubing attached to the bottom inside of the Rear Window

**Step 2**

The round channel on the side of the Tailgate Bar slides over the sewn-on tube on the bottom inside of the Rear Window.



**Step 1**



**Step 1**

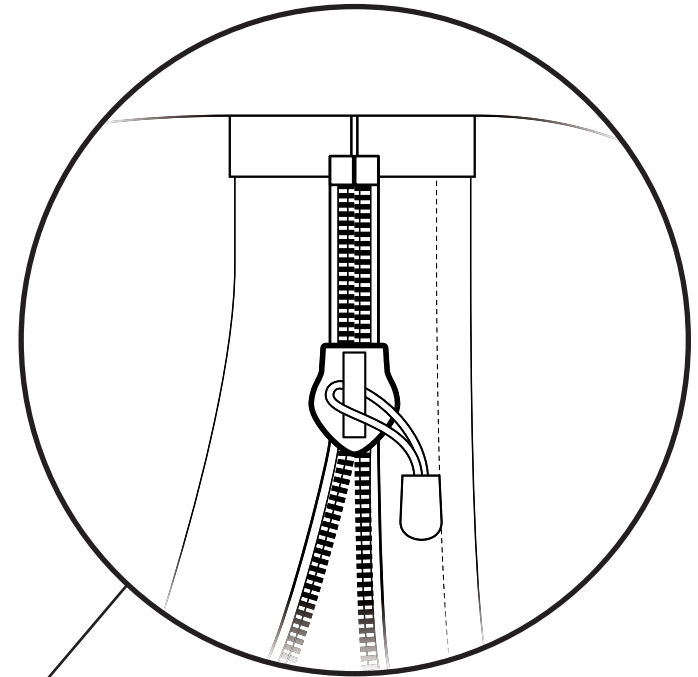
Open the Jeep tailgate.

Locate the sewn-in plastic tube along the rear lower edge of the top fabric.

Slide the open end of the sewn-in plastic channel along the top edge of the Rear Window over the tapered end of the left side of the plastic tube.

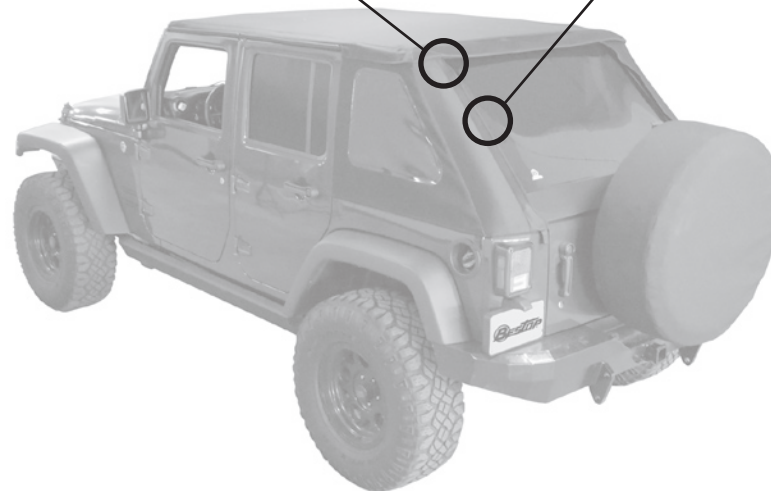
Slide the Rear Window to the right until it stops at the right Rear Quarter Window.

**Step 2**

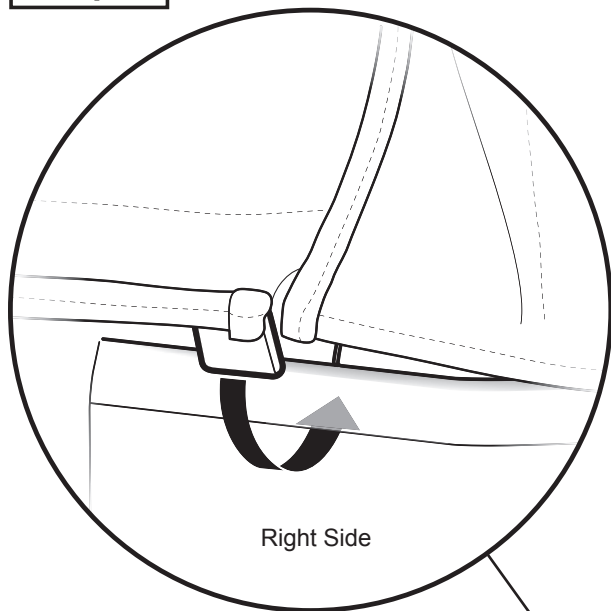


**Step 2**

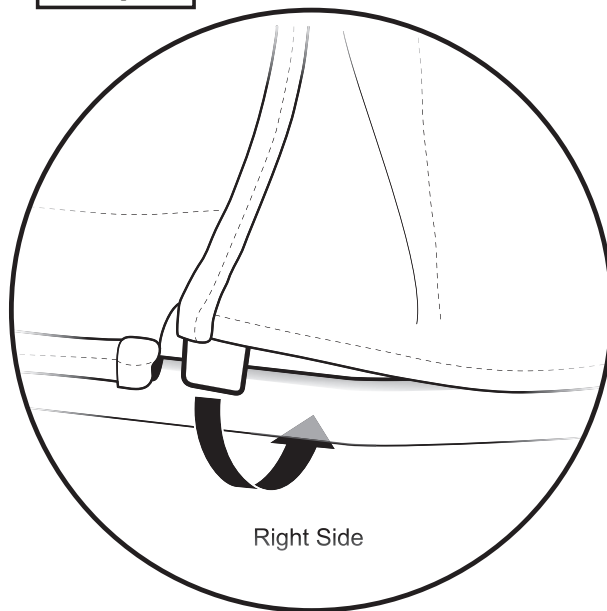
Zip the Rear Window to the Rear Quarter Windows on both sides.



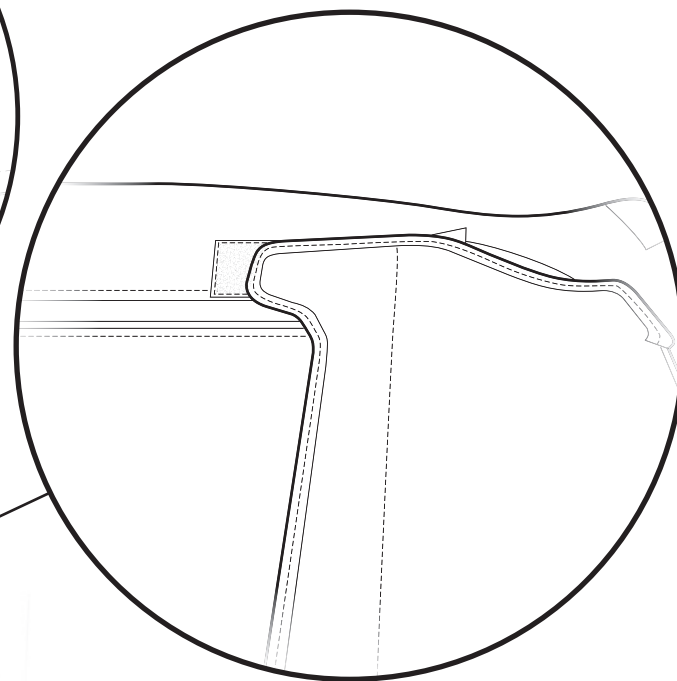
**Step 3**



**Step 4**



**Step 5**



**Step 3**

Tuck the plastic tab at the bottom right corner of the Rear Window under the Jeep belt rail.

Roll the tab up underneath the belt rail.

Repeat on the left side.

**Step 4**

Tuck the plastic tab at the bottom rear corner of the right Rear Quarter Window under the Jeep belt rail.

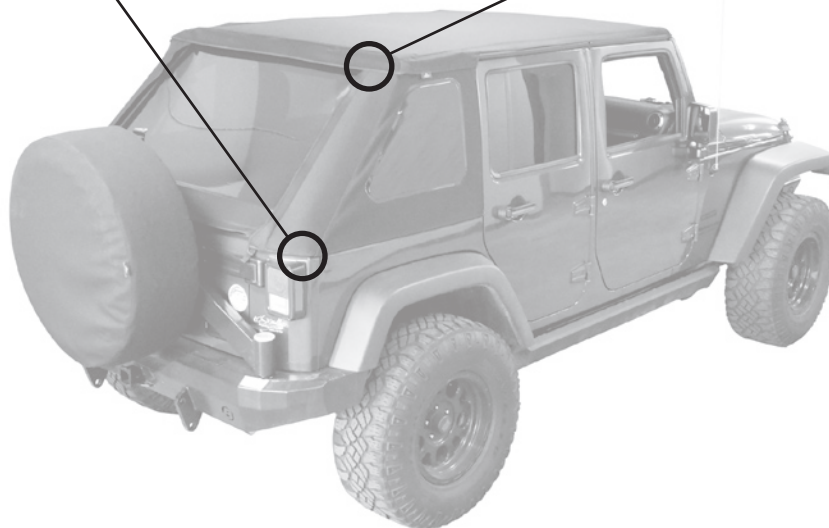
Roll the tab up underneath the belt rail.

Repeat on the left side.

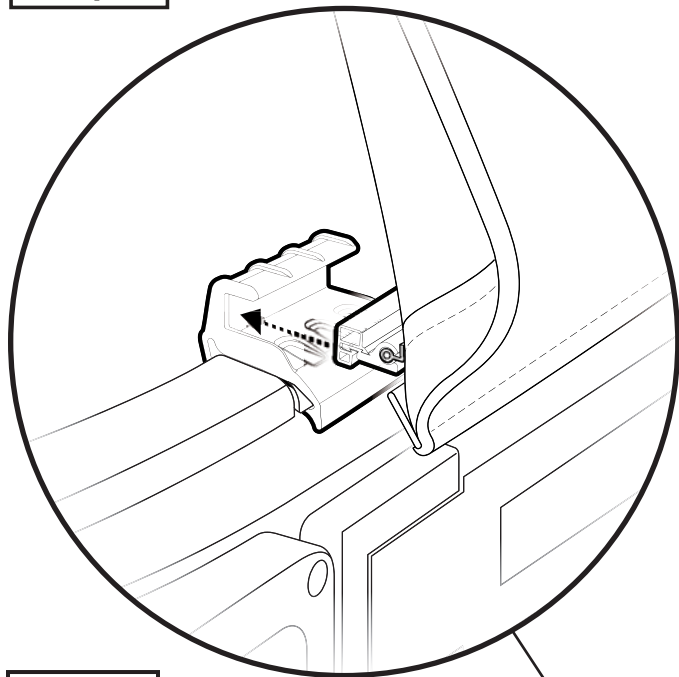
**Step 5**

Locate the hook and loop strip at the right rear corner of the top fabric. Attach the flap at the top corner of the right Quarter Window to the hook and loop strip.

Repeat on the left side of the Jeep.



Step 1

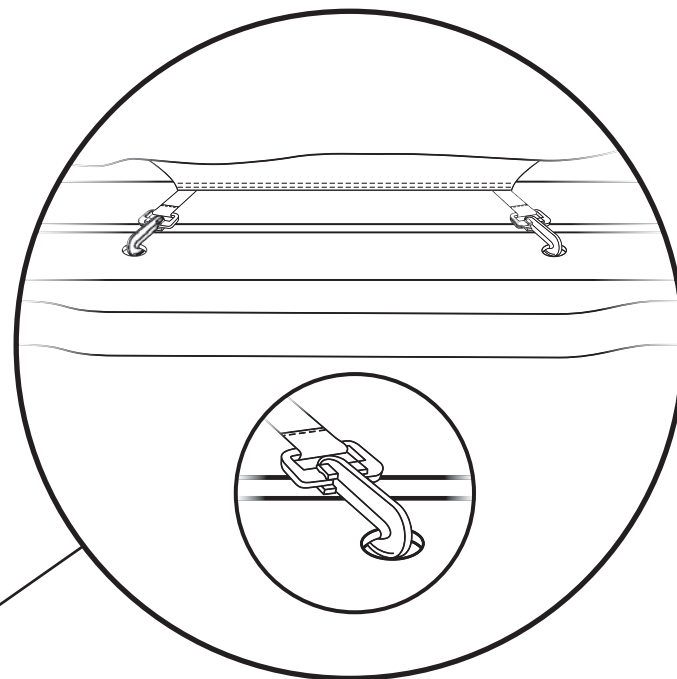


Step 1

Snap the front edge of the Tailgate Bar into the channel on the left Tailgate Bar Mount.

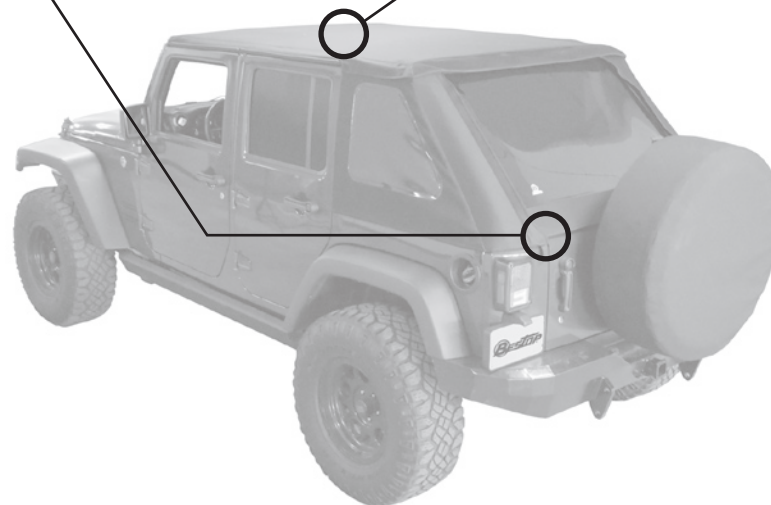
Repeat on the right side.

Step 2

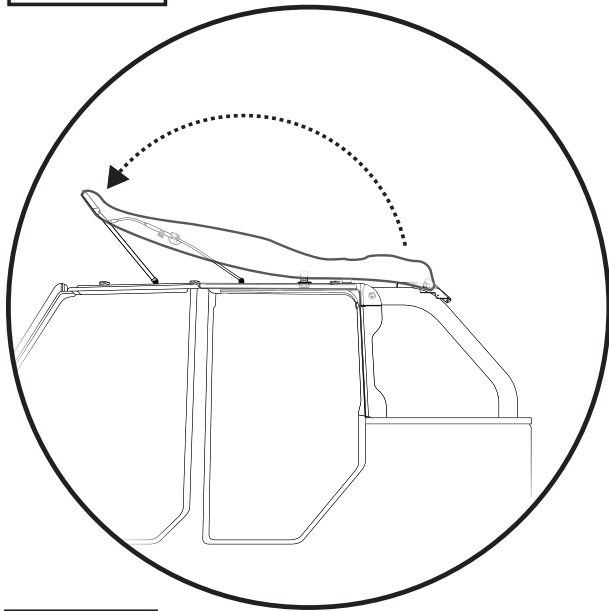


Step 2

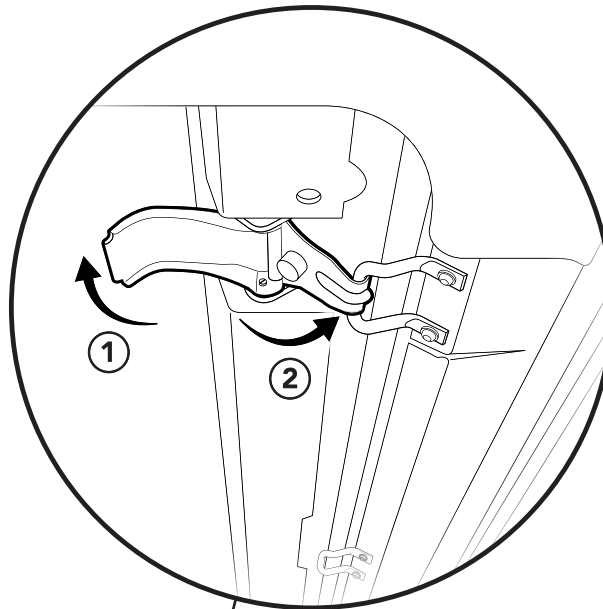
From the inside of the Jeep, locate the two retainer clips attached to the inside of the top fabric, and clip them to the two holes in the top of the vehicle's soundbar.



Step 1



Step 2



Step 1

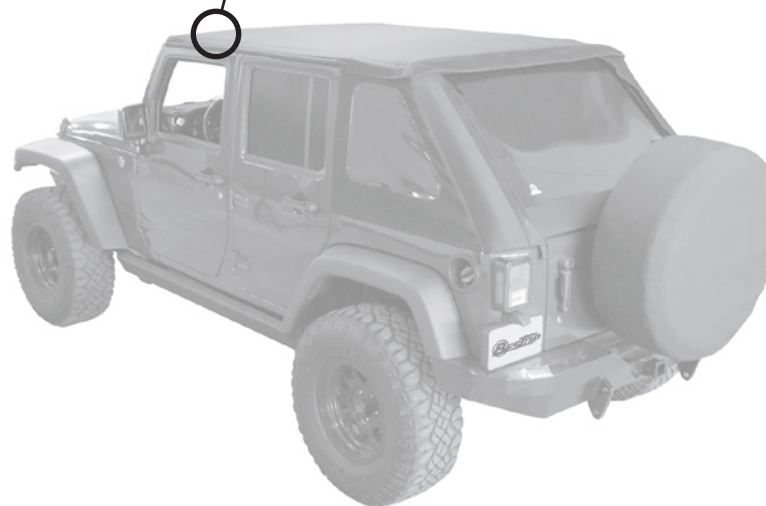
Close the Sunrider.

Step 2

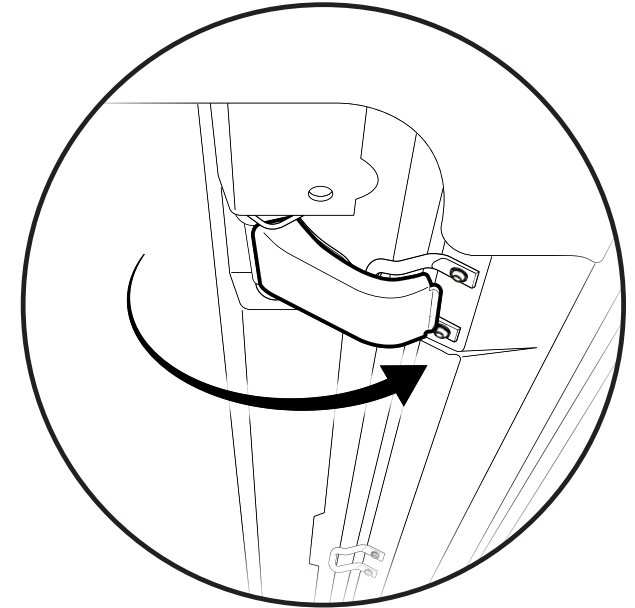
From inside the Jeep, locate the two Windshield Header Latches.

To close the latch, ① pivot the latch handle to the completely open position to allow the the hook to engage the windshield loop.

② Now pivot the hook forward to engage the windshield loop.



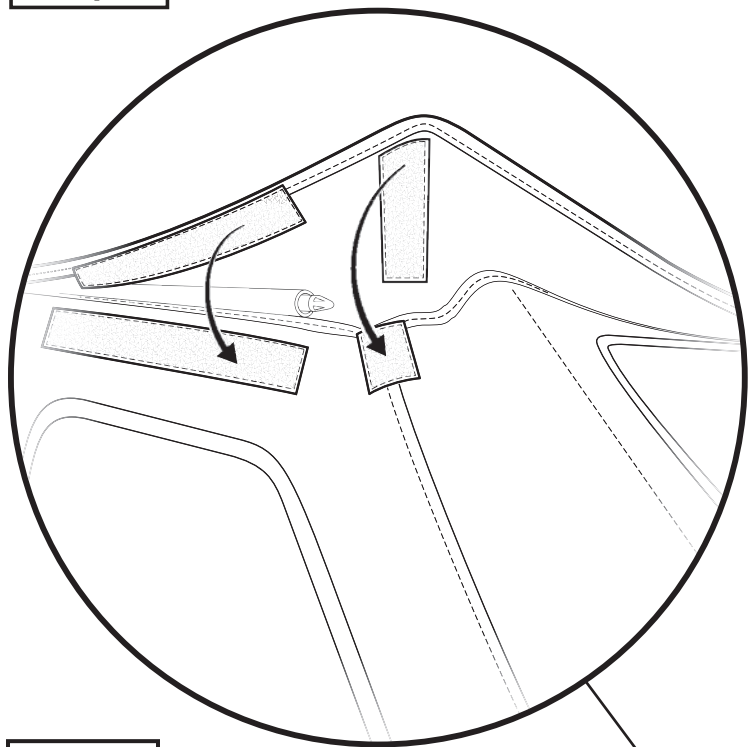
Step 3



Step 1

When the hooks are engaged with the windshield loops, close each latch by pivoting it forward toward the windshield.

Step 1

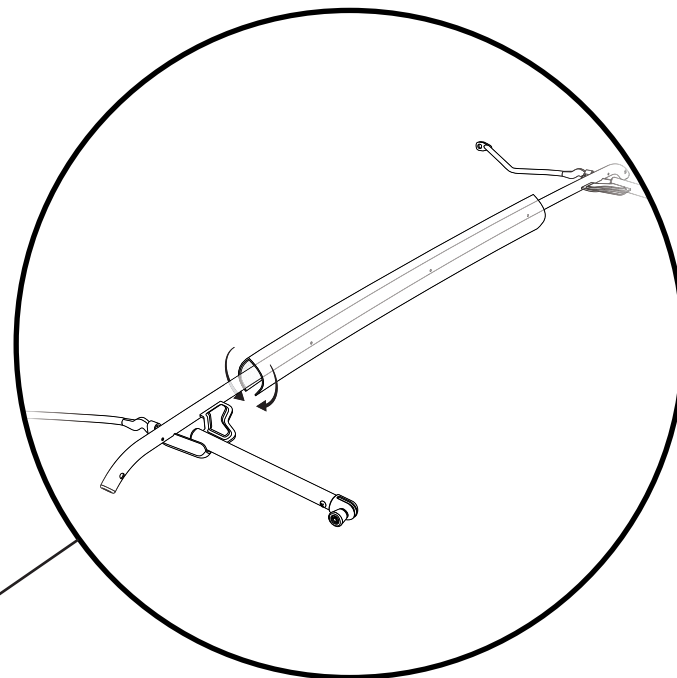


Step 1

Locate the Hook & Loop strips at the rear corners of the top fabric.

Snug the rear corners of the top by attaching the Hook & Loop strips on the underside of the top fabric to the strips along the top edges of the Quarter Window corners.

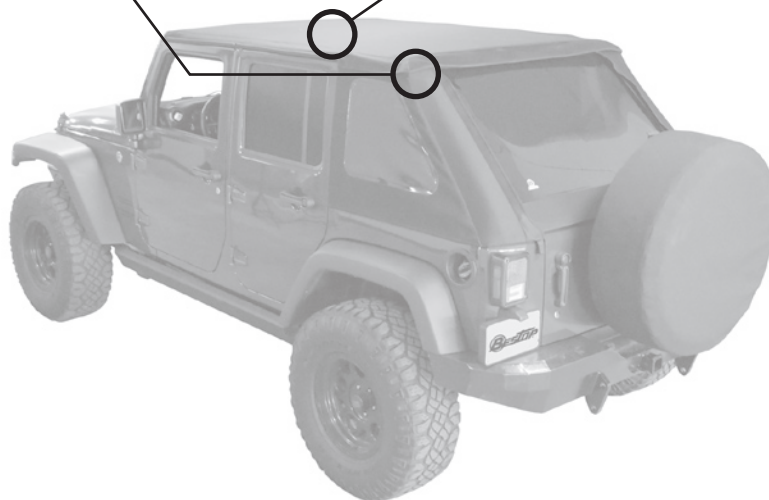
Step 2



Step 2

Inside the Jeep, locate the two flaps over the #2 Bow.

Wrap the flaps around the #2 Bow, and secure the flaps together with the Hook & Loop strips on each flap.





## Installation Instructions Trek Top NX Plus 4-Door

Vehicle Application:  
Jeep® Wrangler Unlimited 2007-2017  
Part Number 56853

### WHAT BESTOP WARRANTS

Subject to the terms and conditions of sale, including any terms and conditions set forth by Bestop, Inc. (“Bestop” or “us” or “we”) in our then-current terms of sale on our website (collectively, the “Terms”), Bestop represents and warrants that: the covered products listed in the “Covered Products and Warranty Periods” section (a “Product”) will substantially be free from defects in materials and workmanship for the specified warranty periods set forth in that section.

### THE WARRANTY IS LIMITED AND CONDITIONAL

This warranty applies to the original purchaser of the Product only. The warranty is valid only as long as the original retail purchaser owns the vehicle upon which the Product is installed. The warranty expires should the Product be removed from the original vehicle or if the original vehicle is transferred to another owner.

This warranty is not transferable or assignable. The warranty does not apply to Product bought from auction-style or price-bid websites.

THE LIMITED WARRANTY AND STATED REMEDIES ARE SOLE AND EXCLUSIVE AND IN LIEU OF ALL OTHER WARRANTIES AND REMEDIES, AND COMPANY EXPRESSLY DISCLAIMS ALL IMPLIED OR STATUTORY OR OTHER WARRANTIES, INCLUDING WITHOUT LIMITATIONS WARRANTIES OF MERCHANTABILITY, NON-INFRINGEMENT OR FITNESS FOR A PARTICULAR PURPOSE. IN NO EVENT WILL COMPANY BE LIABLE FOR ANY SPECIAL, INCIDENTAL, CONSEQUENTIAL, PUNITIVE, INDIRECT OR EXEMPLARY DAMAGES OF ANY KIND, INCLUDING LOST PROFITS OR REVENUE, HOWEVER CAUSED, WHETHER FOR BREACH OR REPUDIATION OF CONTRACT, TORT, BREACH OF WARRANTY, NEGLIGENCE, OR OTHERWISE, WHETHER OR NOT COMPANY WAS ADVISED OF THE POSSIBILITY OF SUCH LOSS OR DAMAGES.

*Some states do not allow exclusion or limitation, so this may not apply to you. This warranty gives you specific legal rights, and you may have other rights which vary from state to state.*

### EXCLUSIONS TO THE WARRANTY

The Limited Warranty excludes, and Bestop is not liable in any way for any warranty claims, damages, or defects related to:

- Misuse, abuse, accidents, vandalism, negligence, fire, or improper installation or modification, or improper or inadequate maintenance;
- Failure to comply with any Product documentation, Bestop instructions, or applicable law or regulations; use in extreme conditions
- Force Majeure including but not limited to, earthquake, hurricane, tornado, flooding, or other disasters natural or man-made, civil unrest, strikes, declared or undeclared war, or lack of performance by, or discontinued product of, supply chain partners whose products, software, operations or management is beyond the control of Bestop;
- Damage resulting in breakage (including without limitation, spontaneous breakage, accidental breakage or breakage by any other means) of a Product or any component part;
- Damage to vinyl windows due to misuse, or cracking due to varying weather conditions.

### YOUR SOLE REMEDY

During the applicable warranty period, Bestop shall, at its option, either repair or replace any Product that it confirms, in its discretion, is non-compliant with the warranties herein. Bestop will not pay for labor charges associated with installation or removal of the Product. Should a specific Product be discontinued, Bestop may, at its option, replace the discontinued Product with a current product or like product.

Please retain your proof of purchase. Original proof of purchase for the Product must accompany any warranty claim. If you have a warranty claim, first you must email Bestop Customer Service at [csbestop@bestop.com](mailto:csbestop@bestop.com) for instructions. All claims must be emailed to [csbestop@bestop.com](mailto:csbestop@bestop.com) within 30 days of discovery of a defective Product, but in no event later than thirty days after the end of the applicable Warranty Period (the “Warranty Notice Period”). Warranty claims made after the Warranty Notice Period are null and void and Bestop shall have no responsibility with respect to such claims.

THIS SECTION SETS FORTH BESTOP’S SOLE OBLIGATION & YOUR SOLE REMEDY WITH RESPECT TO ANY DEFECTS OR OTHER PRODUCT ISSUE. ANY PRODUCTS REPLACED UNDER TERMS OF THIS WARRANTY WILL BE COVERED UNDER TERMS & BALANCE OF THE DURATION OF THE ORIGINAL LIMITED WARRANTY FOR SUCH PRODUCT.



## Installation Instructions Trek Top NX Plus 4-Door

Vehicle Application:  
Jeep® Wrangler Unlimited 2007-2017  
Part Number 56853

**COVERED PRODUCTS AND WARRANTY PERIODS:** The warranty time periods are as follows for Products manufactured by Bestop:

### **BESTOP® LIMITED LIFETIME WARRANTY**

Trektop® Pro Twill Fabric Top Sunrider® for Hardtop Twill Fabric Top  
Trektop® NX Glide Twill Fabric Top Replace-a-Top™ Twill Fabric Top  
Trektop® NX Twill Fabric Top Supertop® NX Twill Fabric Top  
EZFold™ Soft Tonneaus Floor & Cargo Liners  
ZipRail™ Soft Tonneaus Pet Barriers  
EZRoll™ Soft Tonneaus

### **BESTOP® 5-YEAR LIMITED WARRANTY**

Trektop® NX Glide™ Top (non-Twill) Sunrider® for Hardtop (non-Twill) Replace-a-Top™ Top (non-Twill) Trektop® NX Top (non-Twill)  
Sailcloth Replace-a-Top™ Supertop® NX Top (non-Twill)  
Tigertop™ and Halftop™ Supertop® Classic Soft Top Sunrider® Complete Soft Top Supertop® for Truck  
EZ Fold Hard Tonneau

### **BESTOP® 3-YEAR/100K MILES LIMITED WARRANTY**

Powerboard® & Powerboard® NX  
Trekstep®, Side Mount  
Trekstep®, Rear Mount

### **BESTOP® 3-YEAR LIMITED WARRANTY**

Pavement Ends Sprint Top

### **BESTOP® 2-YEAR LIMITED WARRANTY**

Trektop® Classic Soft Top  
RoughRider™ Soft Storage

### **BESTOP® 1-YEAR LIMITED WARRANTY**

All other Bestop® & Pavement Ends™ products not specified above.

**For further information or request for warranty work, please contact:**

**Bestop Inc. Customer Service**  
**Toll-Free: (800)845-3567**  
**Main: (303)465-1755**  
**E-mail: [csbestop@Bestop.com](mailto:csbestop@Bestop.com)**  
**Website: [www.Bestop.com](http://www.Bestop.com)**