



Installation Instructions Supertop Ultra

Vehicle Application:
Jeep® JL Wrangler Unlimited 2019 - Current
Part Number 54725

Installation Tips

Before you begin installing your new Supertop Ultra, please read all the instructions thoroughly.

For a smooth fit:

For easier installation, the top should be installed at a temperature above 72°F. Below this temperature, the fabric may contract an inch or more, making it difficult to fit the vehicle.

It is normal for the fabric to contract and wrinkle when stored in the shipping carton. Within a few days after installation, the fabric will relax and the wrinkles will disappear.

WARNING Do not rely in any way on the components of this product to protect against injury or death in the event of an accident. Never operate the vehicle in excess of manufacturer's specifications.

Read and follow, precisely, all installation instructions provided when installing this product. Failure to do so may result in a poor fit and could place occupants of the vehicle in a potentially dangerous situation.

CAUTION Safety glasses should be worn at all times when installing this product. **WEAR SEAT BELTS AT ALL TIMES**



Tools				Installation Time	Support
			- OR -		We're here to help! Go to: https://www.bestop.com and click on Need Help? https://www.bestop.com/video-library
				Skill Level	
			 3 - Moderately Difficult		



Installation Instructions Supertop Ultra

Vehicle Application:
Jeep® JL Wrangler Unlimited 2019 - Current
Part Number 54725

Sugerencias de Instalación

Antes de empezar a instalar esta unidad, lea atentamente todas las instrucciones.

Para un buen ajuste:

Para facilitar la instalación, el producto debe instalarse a temperaturas superiores a 72 °F (22 °C).

Por debajo de esta temperatura, la tela puede encogerse una pulgada o más, lo que dificultaría su ajuste al vehículo.

Es normal que la tela se contraiga o arrugue cuando está guardada en la caja de empaque. A los pocos días después de la instalación, la tela se relajará y las arrugas desaparecerán.



ADVERTENCIA

Este producto se diseñó principalmente para mejorar la apariencia del vehículo y proteger a los ocupantes de las condiciones climáticas comunes. De ninguna manera piense que los componentes de este producto pueden servir como medio de contención para los ocupantes del vehículo o que pueden protegerlos contra lesiones o la muerte en caso de accidente. Este producto no protegerá a los ocupantes contra caídas de objetos. Nunca conduzca este vehículo fuera de las especificaciones del fabricante.

USE LOS CINTURONES DE SEGURIDAD EN TODO MOMENTO

Lea y siga con precisión todas las instrucciones de instalación que se proporcionan para instalar este producto. Si no lo hace, podría producirse un mal ajuste que colocaría a los ocupantes del vehículo en una situación potencialmente peligrosa.



PRECAUCIÓN

Debe usar gafas protectoras en todo momento durante la instalación de este producto.

Conseils pour l'installation

Lire toutes les instructions au complet avant de commencer l'installation de cet assemblage.

Pour un ajustement sans problème :

Afin de faciliter l'installation, ce produit doit être installé à des températures au-dessus de 72 °F (22 °C).

Sous cette température, le tissu peut rétrécir d'un pouce (2,5 cm) ou plus, ce qui rendra l'ajustement sur le véhicule difficile.

Il est normal que le tissu rétrécisse et plisse pendant qu'il est dans la boîte d'expédition. En quelques jours après l'installation, le tissu se détendra et les plis disparaîtront.



AVERTISSEMENT

Ce produit est conçu principalement pour améliorer l'apparence du véhicule et pour protéger les occupants des conditions météorologiques usuelles. Ne jamais se fier aux composants de ce produit pour se protéger de blessures ou de la mort en cas d'accident. Ce produit ne protégera pas les occupants des chutes d'objets. Ne jamais utiliser le véhicule au-delà des caractéristiques techniques indiquées par le fabricant.

PORTER UNE CEINTURE DE SÉCURITÉ EN TOUT TEMPS

Lire et suivre, très fidèlement, toutes les instructions d'installation fournies lors de l'installation de ce produit. Ne pas suivre cette consigne peut causer une installation inadéquate et mettre les occupants du véhicule dans une situation potentiellement dangereuse.



MISE EN GARDE

Des lunettes de sécurité doivent être portées en tout temps lors de l'installation de ce produit.



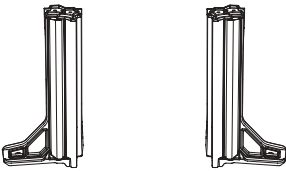
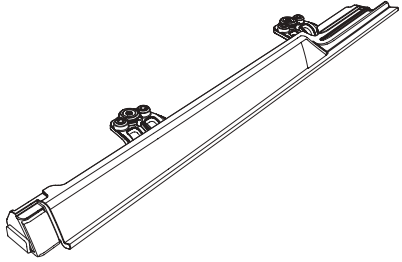


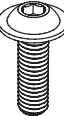
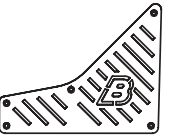
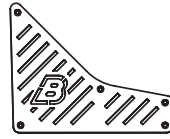
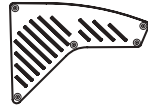
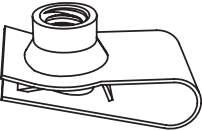

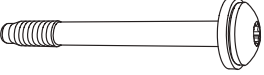
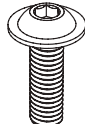

Installation Instructions Supertop Ultra

Vehicle Application:
Jeep® JL Wrangler Unlimited 2019 - Current
Part Number 54725

Parts List

- Required parts for installation - Page number in Installation Guide

Sections 1 to 3	Rear Door Rails, Upper and Lower; Front Door Rails		Pages 7 to 9 of Guide
 <p>Upper Rear Door Rail Part #585.94 - Right Qty. 1</p>	 <p>Upper Rear Door Rail Part #585.95 - Left Qty. 1</p>	 <p>Lower Rear Door Rail Part #574.46 - Right Part #574.47 - Left Qty. 1</p>	 <p>Front Door Rail Part #574.32 - Right (shown) Part #574.33 - Left Qty. 1 of each</p>

Sections 1 to 3	Parts Kit #574.62				Pages 7 to 9 of Guide
<div style="border: 1px solid black; padding: 5px; display: inline-block;">Parts Kit #574.62</div>					
 <p>M6x20mm Flanged Button Head Cap Screw #517.48 Qty. 4</p>	 <p>Lower Rear Door Rail Grille #579.00 - Right Qty. 1</p>	 <p>Lower Rear Door Rail Grille #579.01 - Left Qty. 1</p>	 <p>Upper Rear Door Rail Grille #578.96 Qty. 2</p>	 <p>M6 U-Clip #537.49 Qty. 4</p>	
 <p>M3.5x6 Screw #574.44 Qty. 20</p>	 <p>M8x1.25x80 Screw #532.23 Qty. 8</p>	 <p>M8x1.25x20mm Flanged Button Head Cap Screw #573.09 Qty. 2</p>	 <p>M8 Flat Washer #515.84 Qty. 2</p>		

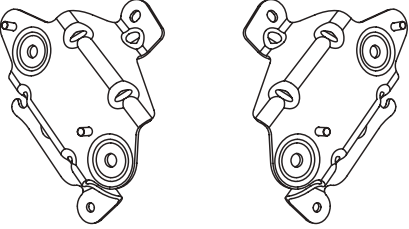


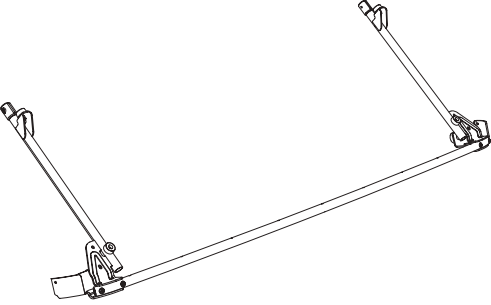
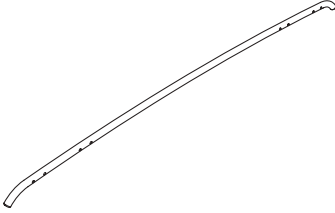
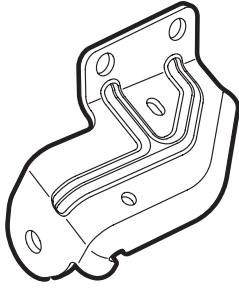
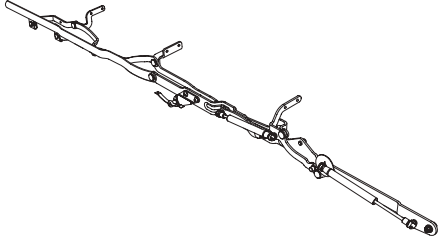


Installation Instructions Supertop Ultra

Vehicle Application:
Jeep® JL Wrangler Unlimited 2019 - Current
Part Number 54725

Parts List

- Required parts for installation - Page number in Installation Guide

Sections 4 to 6	Sport Bar Brackets, Tailgate Bar Retainers, Lift Assist		Pages 10 to 12 of Guide
 <p>Sport Bar Mounting Brackets Part #590.02 - Right Part #590.03 - Left Qty. 1 of each</p>	 <p>Tailgate Bar Retainers Part #575.39 - Left Part #575.38 - Right Qty. 1 of each</p>	 <p>Lift Assist Assembly Part #589.98 - Right Part #589.99 - Left Qty. 1 of each</p>	
Sections 7 to 9	#6 Bow, #5 Bow, #5 Bow Pivot Brackets, Side Bow Assemblies		Pages 13 to 15 of Guide
 <p>#6 Bow Assembly Part #589.25 Qty. 1</p>	 <p>#5 Bow Part #593.55 Qty. 1</p>	 <p>#5 Bow Pivot Bracket Part #589.19 - Left (shown) Part #589.18 - Right Qty. 1 of each</p>	 <p>Side Bow Assemblies Part #585.72 - Left (shown) Part #585.73 - Right Qty. 1 of each</p>

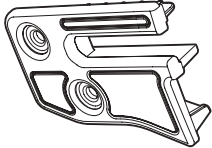
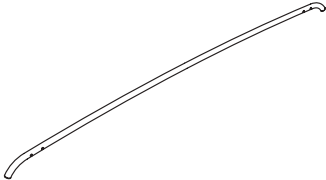
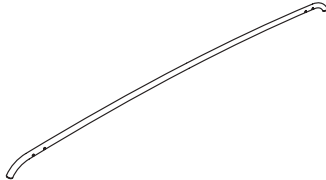
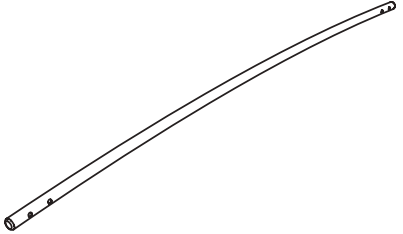
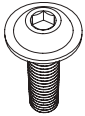
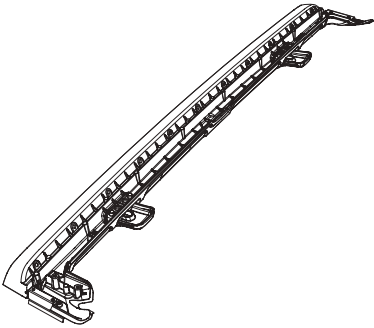
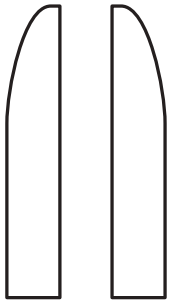
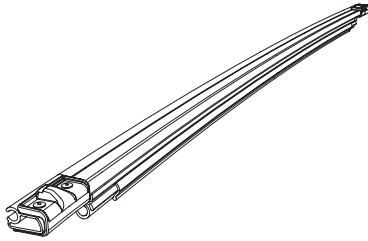
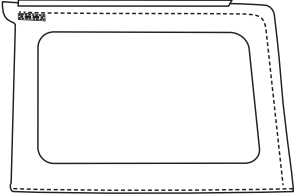
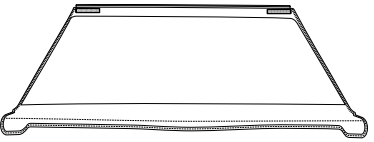


Installation Instructions Supertop Ultra

Vehicle Application:
Jeep® JL Wrangler Unlimited 2019 - Current
Part Number 54725

Parts List

- Required parts for installation - Page number in Installation Guide

Sections 10 to 12		Rear Door Rail Covers, #4 Bow, #3 Bow, #2 Bow		Pages 16 to 18 of Guide
<div style="border: 1px solid black; padding: 5px; display: inline-block;">Parts Kit #585.93</div>				
 <p>Rear Door Rail Covers Part #589.48 - Right Part #589.49 - Left (shown) Qty. 1 of each</p>	 <p>#4 Bow Part #583.03 Qty. 1</p>	 <p>#3 Bow Part #583.01 Qty. 1</p>	 <p>#2 Bow Part #582.99 Qty. 1</p>	 <p>M6 x 1.0 x 10mm Flanged Allen Screw Part #572.83 Qty. 4</p>
Sections 13 to 25		#1 Bow-Fabric Deck, Foam Seals, Tailgate Bar, Windows		Pages 19 to 31 of Guide
 <p>#1 Bow-Fabric Deck Part #592.88 Qty. 1</p>	 <p>Foam Seals Part #573.20 (right) Part #573.21 (left) Qty. 1 of each</p>	 <p>Tailgate Bar Part #575.33 Qty. 1</p>	 <p>Quarter Windows Left and Right Qty. 1 of each</p>	 <p>Rear Window Qty. 1</p>



Installation Instructions Supertop Ultra

Vehicle Application:
Jeep® JL Wrangler Unlimited 2019 - Current
Part Number 54725

Parts List

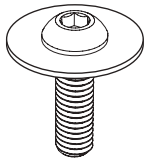
- Required parts for installation - Page number in Installation Guide

All Sections

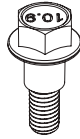
Small Parts Kit #587.70

Multiple Pages

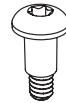
Parts Kit #587.70



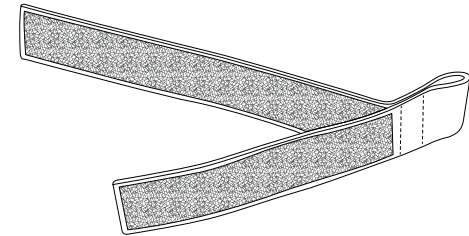
M8 x 1.25 x 28
Button Head
Socket Cap
Screw/Washer
Part #534.24
Qty. 4



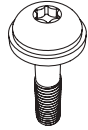
M8 Shoulder Screw
Part #586.72
Qty. 2



T30 Torx
Shoulder Screw
Part #308.65
Qty. 2



Lift Assist Tie-Down Strap
Part #590.76
Qty. 2



M8 x 1.25 x 35
Button Head
Socket Cap
Screw/Washer
Part #532.17
Qty. 2



Thick Plastic Bushing
Part #570.42
Qty. 2



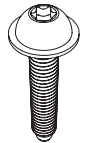
Sheet Metal
Screw
Part #393.79
Qty. 17



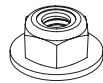
Thin Plastic Bushing
Part #532.78
Qty. 2



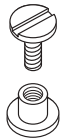
M6 x 1.0 x 20
Flanged Torx Screw
Part #533.84
Qty. 4



M6 x 1.0 x 30
Flanged Torx Screw
Part #533.19
Qty. 8



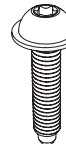
M6 Flanged Nut
Part #591.47
Qty. 4



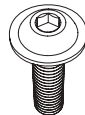
Screw-Binding Barrel
Part #599.01
Qty. 2



Grommet
Part #543.75
Qty. 2



M6 x 1.0 x 25
Flanged Torx Screw
Part #535.23
Qty. 12

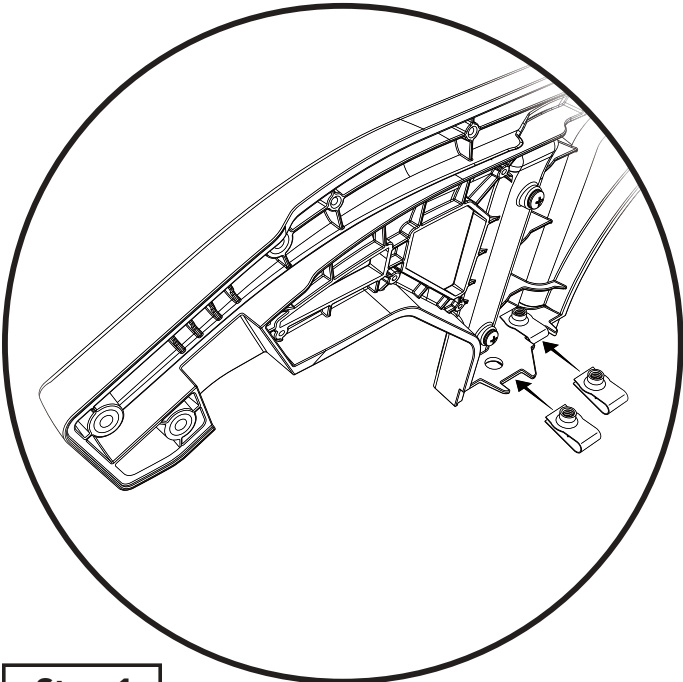


M6 x 1.0 x 10mm
Flanged Allen Screw
Part #572.83
Qty. 4

Step 1	537.49	585.94	585.95
---------------	--------	--------	--------

Hardware

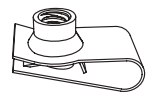
Step 2	574.46	574.47	517.48
---------------	--------	--------	--------



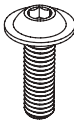
Upper Rear Door Rail
Part #585.94 - Right
Part #585.95 - Left
Qty. 1 of each



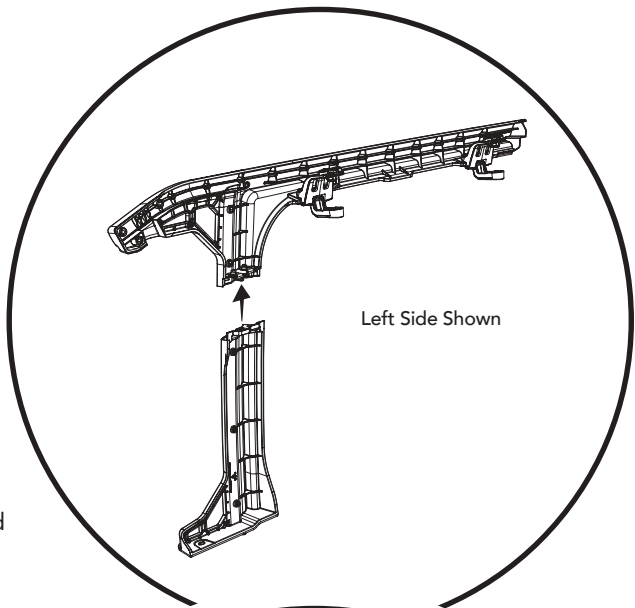
Lower Rear Door Rail
Part #574.46 - Right
Part #574.47 - Left
Qty. 1 of each



M6 U-Clip
#537.49
Qty. 4



M6x20mm
Flanged Button Head
Cap Screw
#517.48
Qty. 4



Step 1

Attach the two (2) U-Clips #537.49 to the Upper Rear Door Rails #585.94 (right) and #585.95 (left) in the positions indicated. Make sure to have the threaded barrel of each U-Clip facing up.

Tools



4mm
Allen Wrench

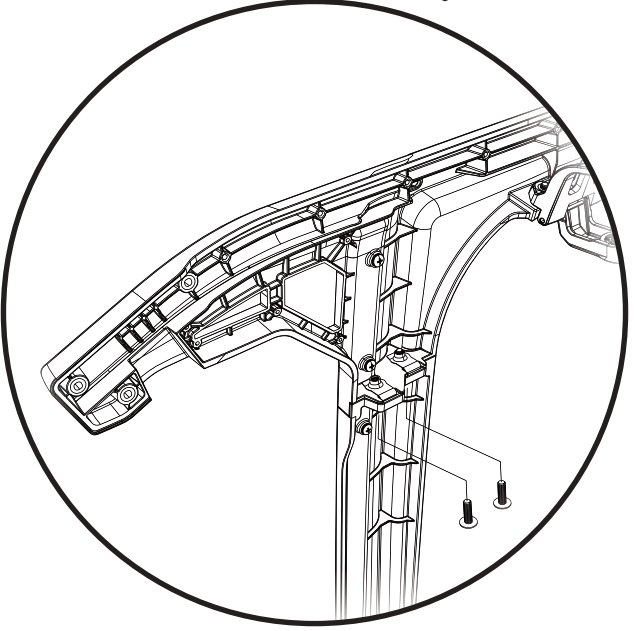
Step 2

Attach the Upper Rear Door Rail #585.94 (right) to the Lower Rear Door Rail #574.46 (right).

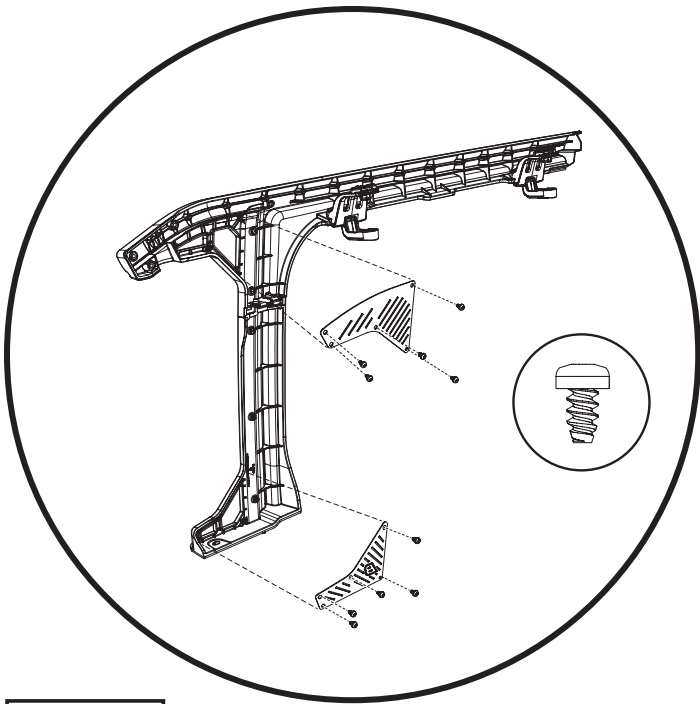
Attach the Upper Rear Door Rail #585.95 (left) to the Lower Rear Door Rail #574.47 (left).

Use two (2) #517.48 Button Head Cap Screws (can be found in Small Parts Kit #574.62) per assembly.

Screws thread up from the bottom into the U-Clips.



Step 1	579.00	579.01	578.96	574.44
---------------	--------	--------	--------	--------



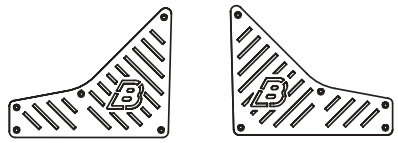
Step 1

Attach the Upper Rear Door Rail Grilles #578.96 to each Rear Door Rail Assembly using five (5) #574.44 screws for each grille. These grilles are the same on each side.

Attach the Lower Rear Door Grille #579.00 (right) to the Right Rear Door Rail Assembly, using five (5) #574.44 screws for each grille.

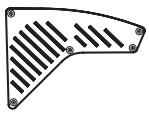
Attach the Lower Door Rail Grille #579.01 (left) to the Left Rear Door Rail Assembly, using five (5) #574.44 screws for each grille.

Hardware



Lower Rear Door Rail Grille #579.00 - Right Qty. 1

Lower Rear Door Rail Grille #579.01 - Left Qty. 1



Upper Rear Door Rail Grille #578.96 Qty. 2



M3.5x6 Screw #574.44 Qty. 20

Tools

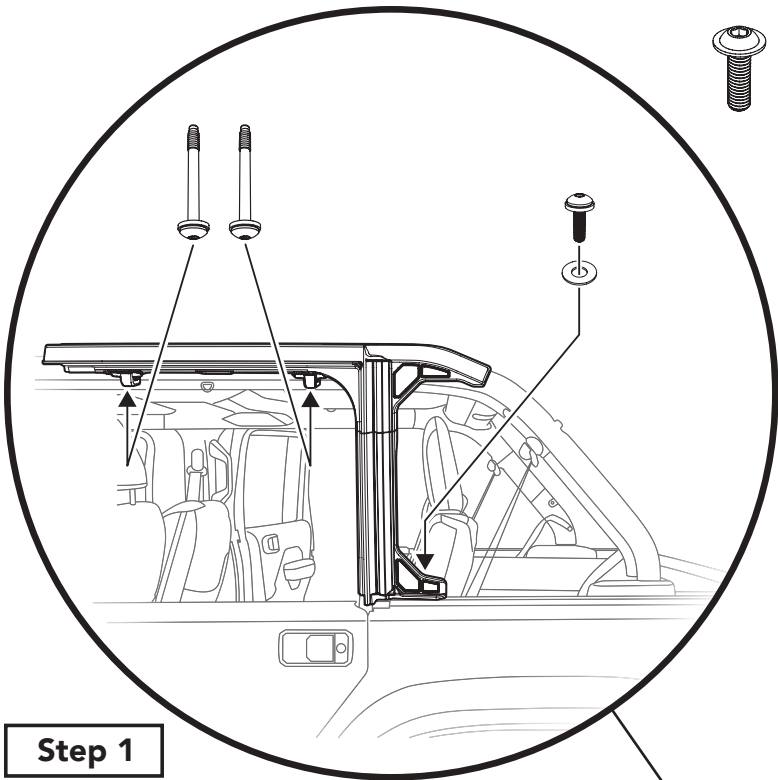


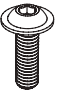




T8 Torx Driver

Step 1	532.23	573.09	515.84
---------------	--------	--------	--------

Hardware

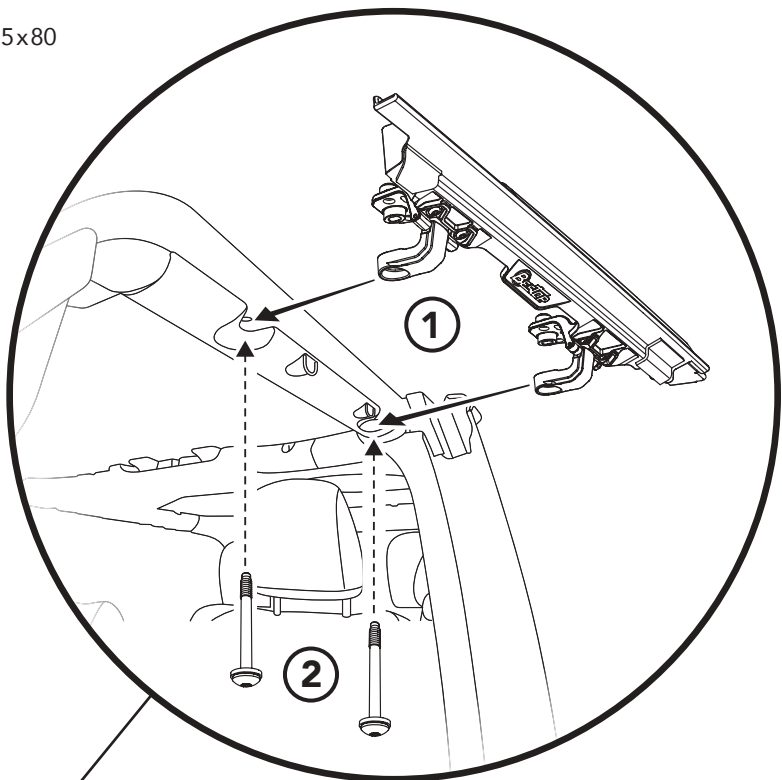
Step 2	532.23	574.32	574.33
---------------	--------	--------	--------



-  M8 x 1.25 x 20 Screw #573.09 Qty. 2
-  M8 x 1.25 x 80 Screw #532.23 Qty. 8
-  M8 Flat Washer #515.84 Qty. 2
-  Front Door Rail Part #574.33 - Left Part #574.32 - Right Qty. 1
-  Rear Door Rail Assemblies Qty. 2

Tools

-  Torque Wrench
-  T40 Torx Driver



Step 1

Attach the Rear Door Rail Assemblies to the Jeep. Place each Rear Door Rail Assembly onto the Jeep just behind the rear door.

Align the hole in the lower portion of the Assembly with the threaded hole in the Jeep belt rail, the alignment pin on the bottom of the Assembly with the receiving hole in the top of the belt rail, and the two integral brackets along the top of the Assembly with the through-holes in the Jeep Sport Bar.

Insert two (2) M8x1.25x80 Screws #532.23 up from the bottom of the integral brackets and tighten to 55 in/lb (4.5 ft/lb).

Use one (1) M8x1.25x20 screw #573.09 and one (1) M8 Flat Washer #515.84 on each Assembly to secure the Assembly to the Jeep belt rail.

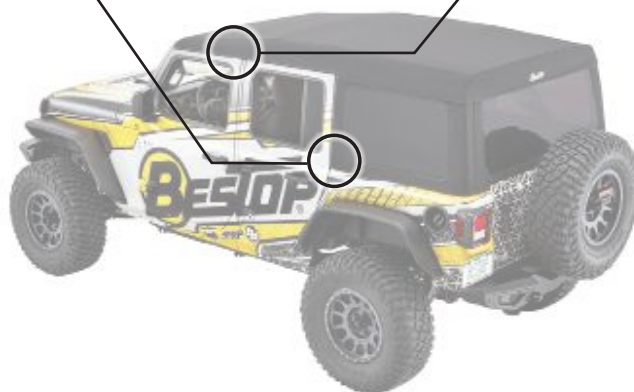
Step 2

Attach the Front Door Rails to the Jeep.

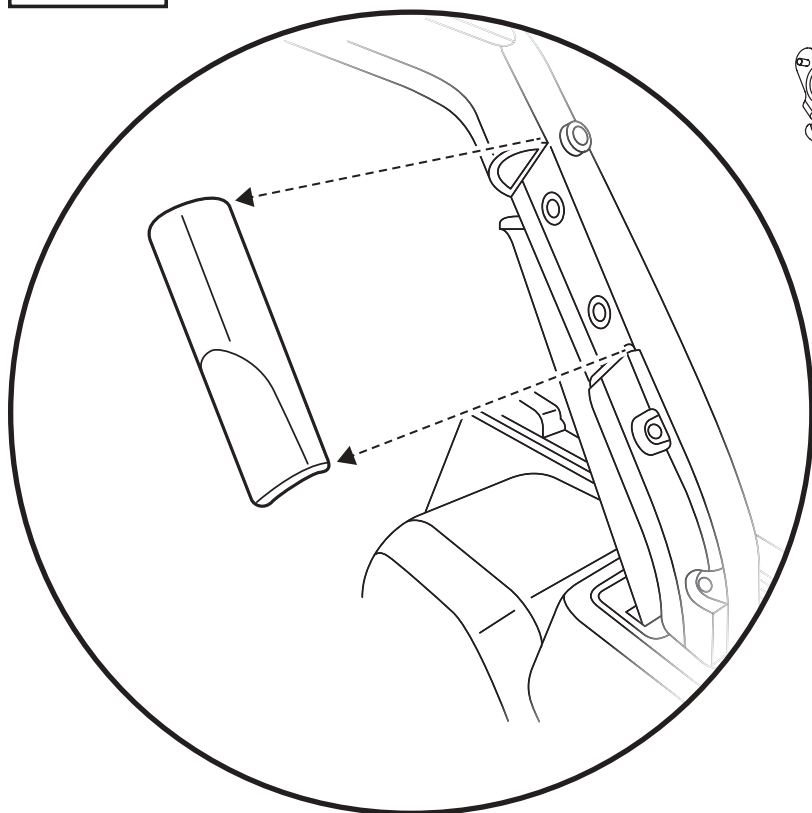
- ① Place each Front Door Rail #574.32 (left) and #574.33 (right) on the Jeep, aligning the rail brackets with the through-holes in the Jeep sport bar.
- ② Secure each Front Door Rail to the sport bar using two (2) M8x1.25x80 Socket Cap Screws #532.23.

Insert the screws from the bottom and tighten to 55 in/lb (4.5 ft/lb).

Note: To prevent over torquing, Use a Screwdriver type Torx driver if a torque wrench is not available.



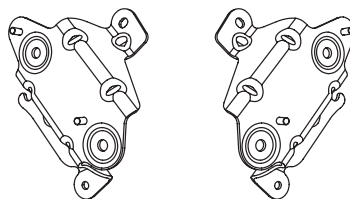
Step 1



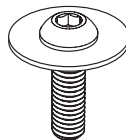
Step 1

Snap off the trim panel on the rear downtube of the Sport Bar on each side.

Hardware



Sport Bar Mounting Brackets
Part #590.02 - Right
Part #590.03 - Left
Qty. 1 of each



M8x1.25x28
Button Head
Socket Cap
Screw/Washer
Part #534.24
Qty. 4

Tools

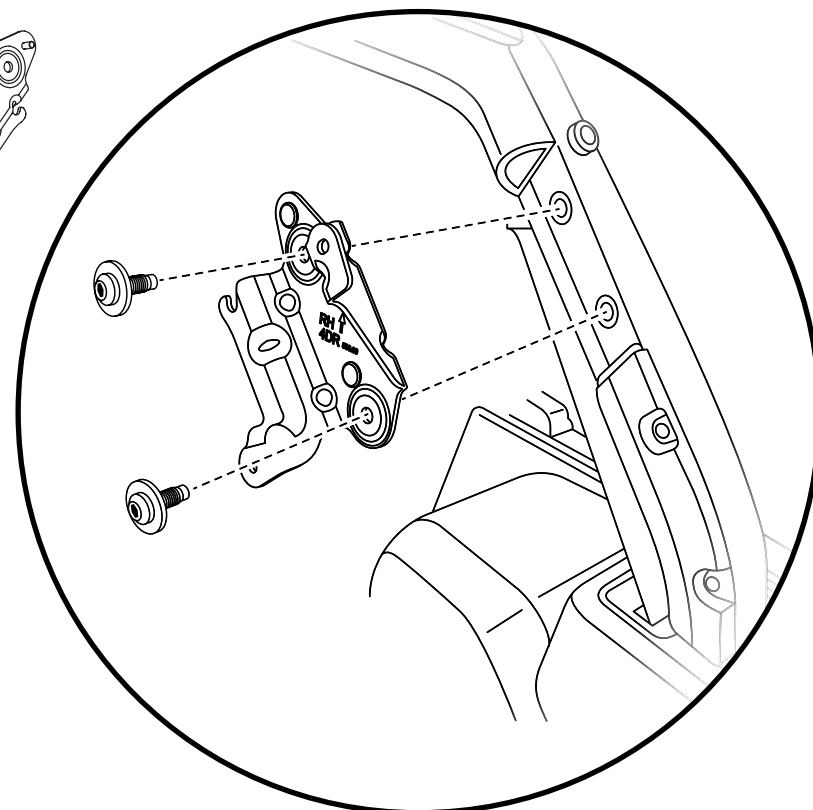


T40 Torx Driver

Step 2

590.02

590.03



Step 2

Attach the Sport Bar Mounting Brackets #590.02 (right) and #590.03 (left) to the Sport Bar downtubes as shown, using two (2) #534.24 M8x1.25x28 Button Head Socket Cap Screw/Washers per bracket.

Attach brackets to both left and right side sport bar rear downtubes.

NOTE: The orientation of the brackets as shown, The studs will point to the outside of the vehicle.

Step 1 575.38 575.39 532.17

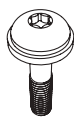
Hardware



Tailgate Bar Retainer
Part #575.38 - Right
Qty. 1



Tailgate Bar Retainer
Part #575.39 - Left
Qty. 1

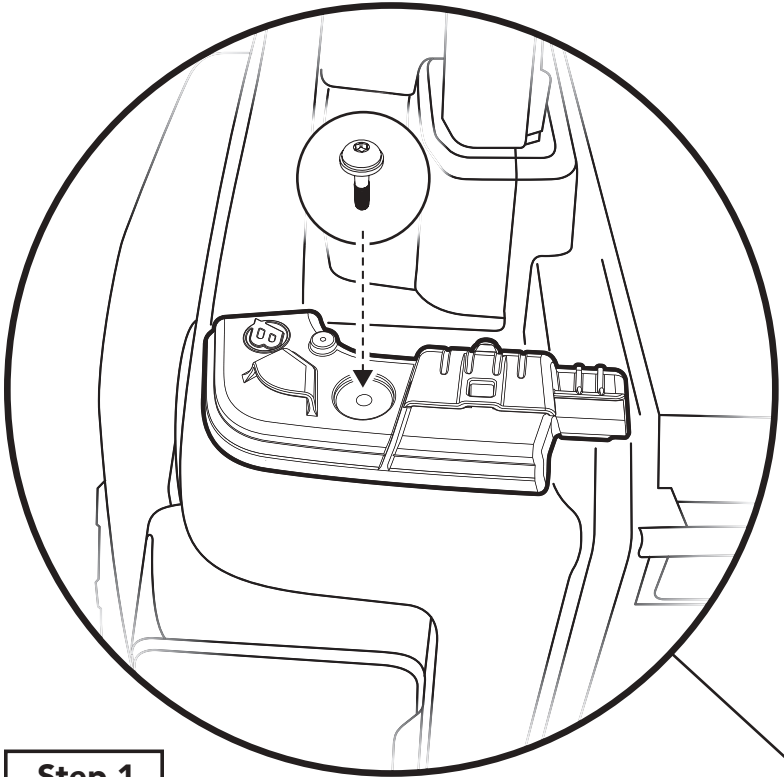


M8x1.25x35
Button Head
Socket Cap Screw
#532.17
Qty. 2

Tools



T50 Torx Driver



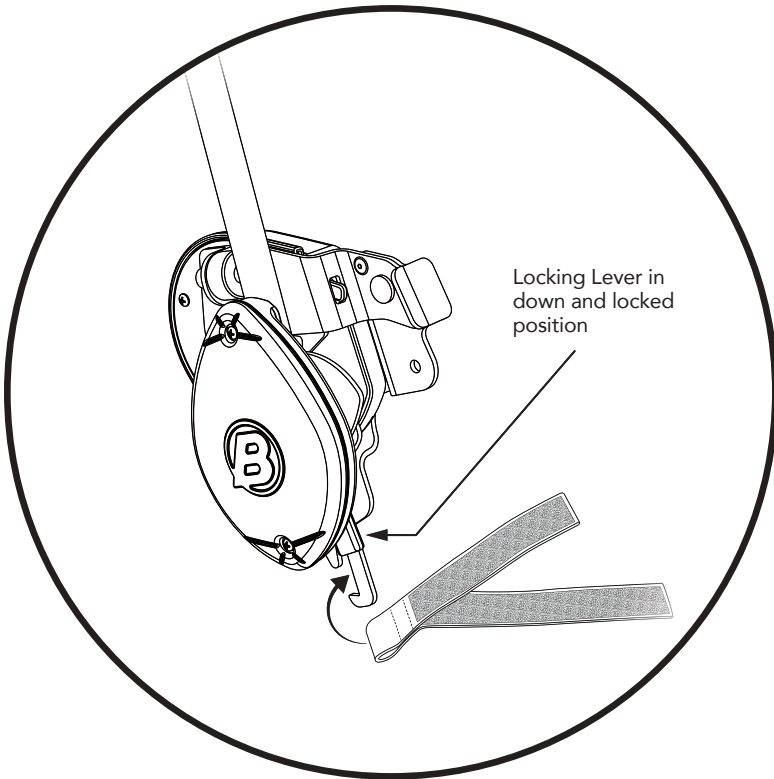
Step 1

Attach the Tailgate Bar Retainers #575.38 (right) and #575.39 (left) to the Jeep Belt Rail, using one (1) M8x1.25x38 Button Head Socket Cap Screw #532.17 per retainer.

Insert the screws through the retainers, and into threaded holes in the top of the Jeep belt rail, and tighten.



Step 1	589.98	589.99	590.76
---------------	--------	--------	--------

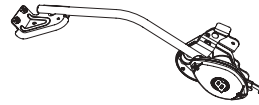


Step 2

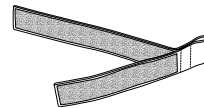
Before attaching the Lift Assist Assemblies #589.98 and #589.99 to the Sport Bar Mounting Brackets, make sure that the yellow Locking Lever is in the down and locked position.

Slide the Lift Assist Tie-Down Straps #590.76 over the hooked tabs at the bottom of each lift assist assembly.

Hardware



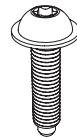
Lift Assist Assembly
Part #589.99 - Left
Part #589.98 - Right (shown)
Qty. 1 of each



Lift Assist Tie-Down Strap
Part #590.76
Qty. 2



M6 Flanged Nut
Part #591.47
Qty. 4



M6x1.0x20 Flanged Torx Screw
Part #533.84
Qty. 4

Tools



Torque Wrench

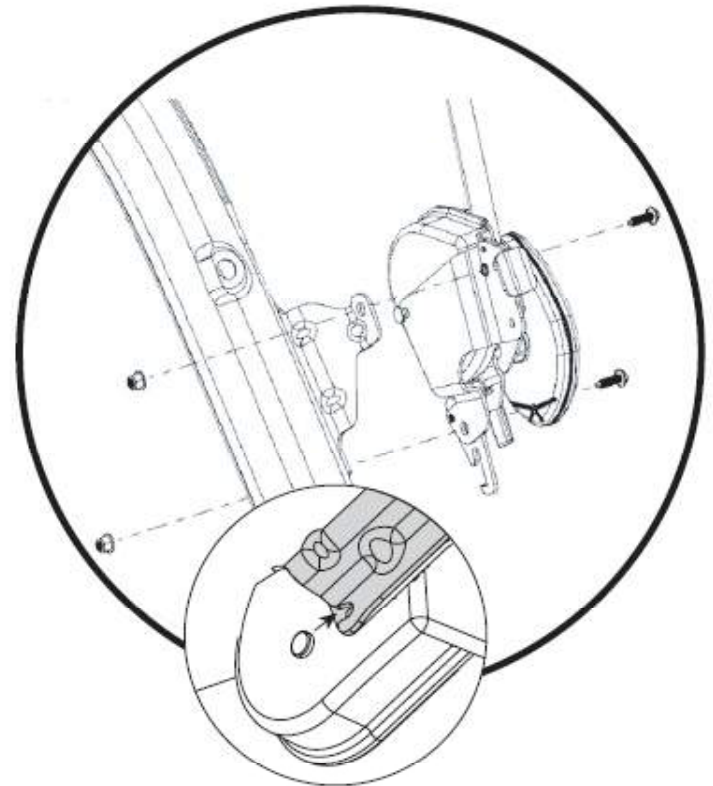


10mm Wrench



T25 Torx Driver

Step 2	589.98	589.99	591.47
---------------	--------	--------	--------



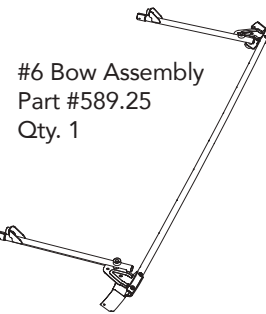
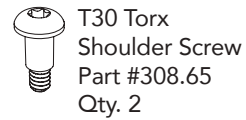
Step 2

Attach the Right Lift Assist Assembly #589.98 to the right side Sport Bar Mounting Bracket #590.02. Secure the three (3) studs on the Lift Assist bracket using three (3) M6 Flanged Nuts #591.47.

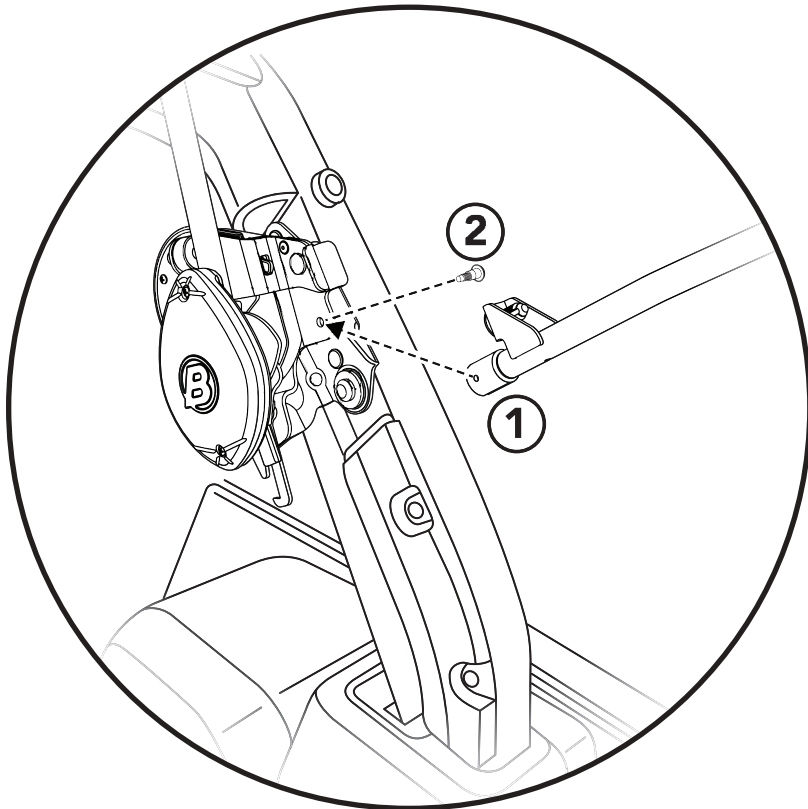
Repeat on the left side of vehicle.

Leave these fasteners loose at this time. You will tighten them later in the installation process.

NOTE: Make sure the pin on the lift assist goes into the mounting bracket. (See Detail)

Step 1 589.25 308.65**Hardware**#6 Bow Assembly
Part #589.25
Qty. 1T30 Torx
Shoulder Screw
Part #308.65
Qty. 2**Tools**

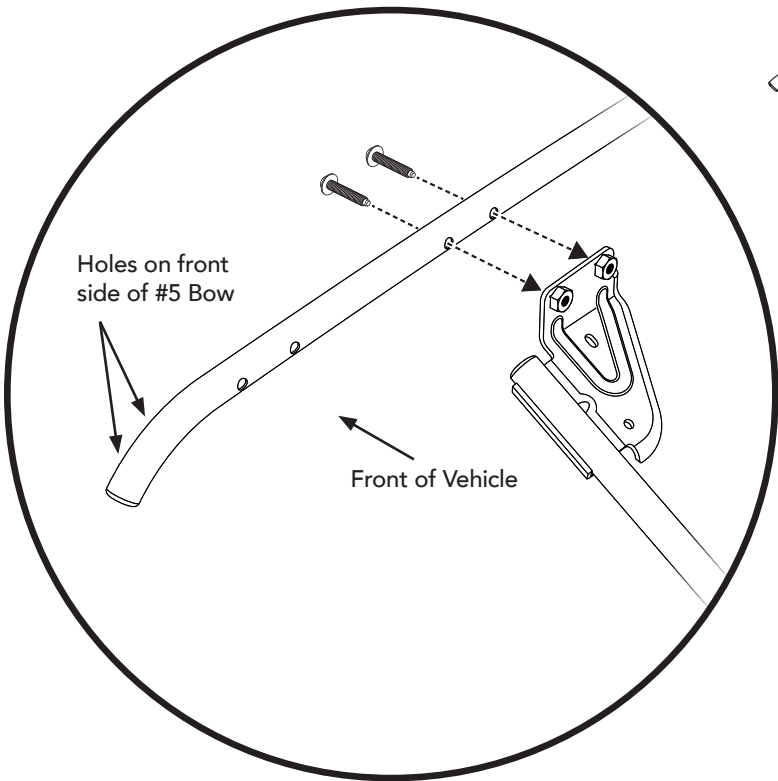
T30 Torx Driver

**Step 1**

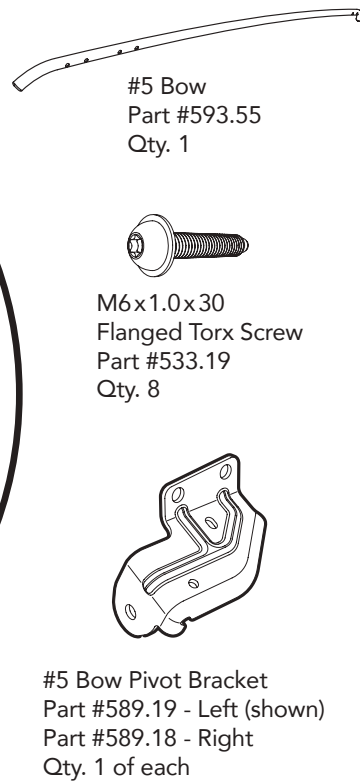
Attach the #6 Bow #589.25 to the Sport Bar Mounting Brackets.

- ① Slide the slotted attachment knuckle at the end of each #6 Bow arm over the flange on the top of each Outer Bracket;
- ② Secure with one (1) T30 Torx Shoulder Screw #308.65 per side.

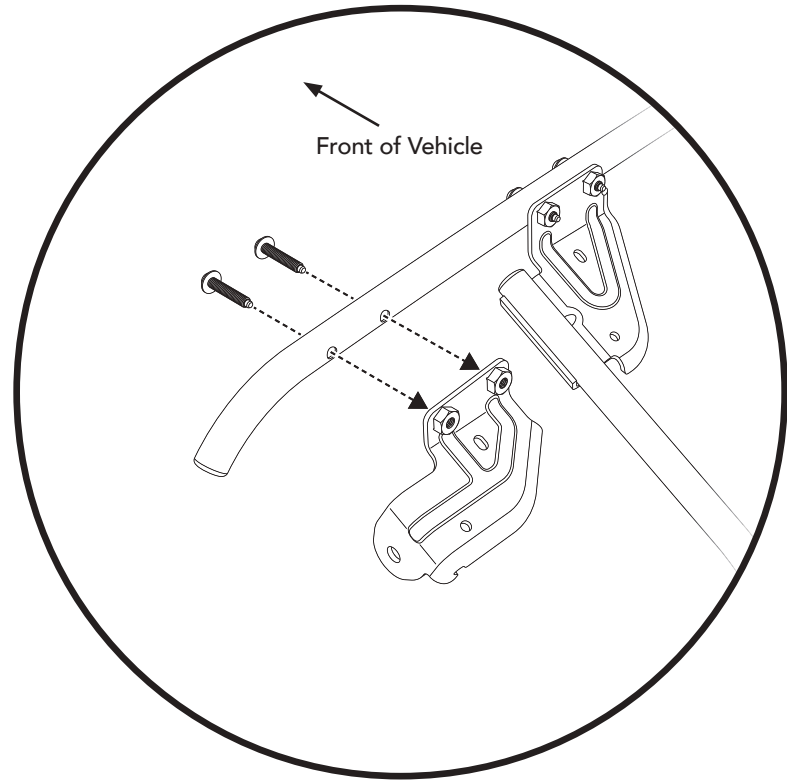
Step 1 593.55 533.19



Hardware



Step 2 589.18 589.19

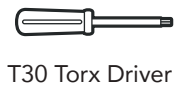


Step 1

Attach the #5 Bow #593.55 to the tab on the top of each Lift Assist Mechanism, using two (2) M6x1.0x30 Flanged Torx Screws #533.19 per side.

NOTE: Make sure the two holes (Closest to the ends) of the #5 bow are facing toward the front of the vehicle.

Tools



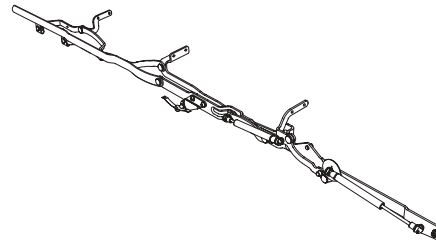
Step 2

Attach the #5 Bow Pivot Brackets #589.19 (left) and #589.18 (right) to the #5 Bow.

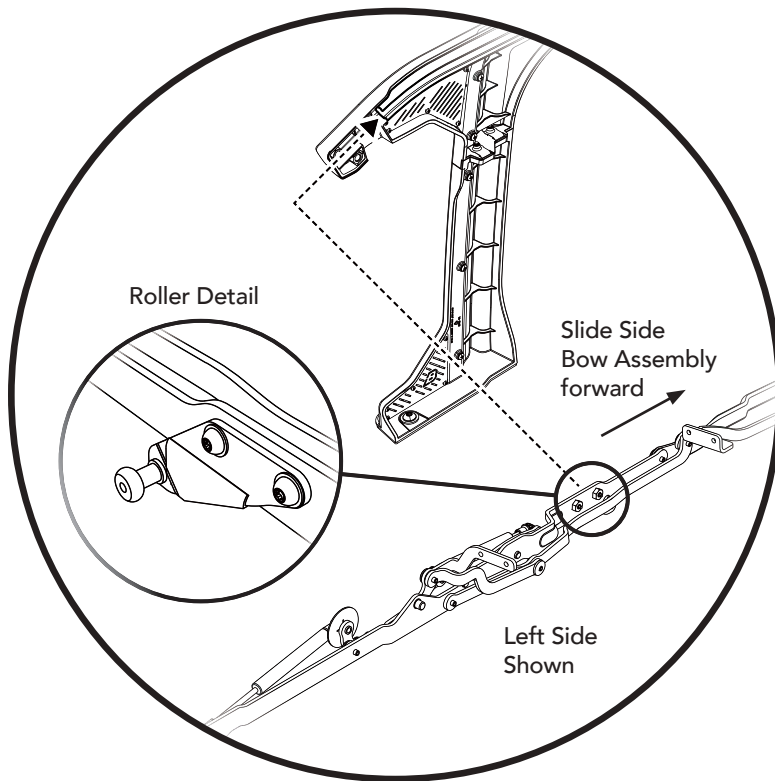
Secure the Pivot Brackets to the #5 Bow using two (2) M6 x 1.0 x 30.0 Flanged Button Head Screws #533.19 for each bracket.

Step 1	585.72	585.73
--------	--------	--------

Hardware



Side Bow Assemblies
 Part #585.72 - Right
 Part #585.73 - Left (shown)
 Qty. 1 of each



Step 1

Straighten the side bow assemblies then locate the roller on the outside of each side bow assembly. #585.72 (Right side) and 585.73 (Left side).

Make sure to orient tabs for attaching roof bows face to the inside.

Insert the roller into the open end of the channel at the rear on the inside of each Rear Door Rail, and slide the Side Bow Assembly forward until it stops.

NOTE: These side bows contain gas struts to assist in the opening and closing the "Sunrider" portion of the top and caution needs to be taken to prevent fingers from getting pinched.