

BLUETOOTH & WIFI MODULE



Introduction

The product allows our solar controller and inverter to work with wireless data transmission.

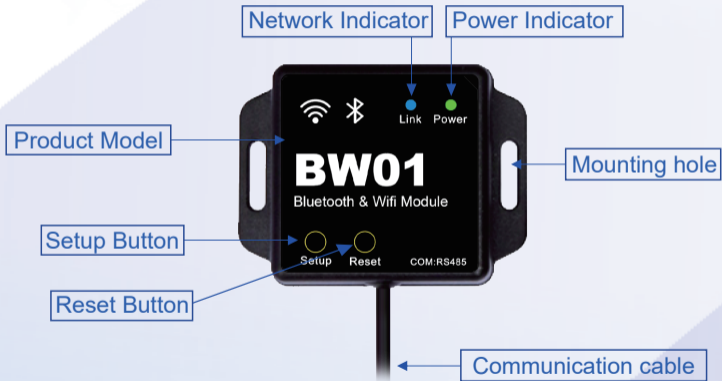
The connected devices can make communications and data collection with the product. Wireless or Bluetooth monitoring and parameter settings can be done with mobile phone APP.

The product can be installed easily and simply set up.

Features

1. Wireless monitoring controller and inverter
2. Supports WIFI and Bluetooth, choose either one to link
3. Plug and play with easy settings
4. High-performance 32-bit CPU core that supports FLOPS (floating-point operations per second), with ultra-low power consumption and high data processing capabilities
5. Power supplied by the solar link hub so no external power is needed
6. One-button to reset

Identification of Parts



Indicator Instructions

Indicator	State	Description
Link indicator	Periodically flashes twice	Waiting for network configuration
	Flashes every 2s	Connecting to WIFI hotspot
	Keep fast flashing	Connecting to Alibaba Cloud
	Light off every 5s	Connected to Alibaba Cloud
Power signal indicator	Off	Power supply failure
	On	Power supplied

User Guide

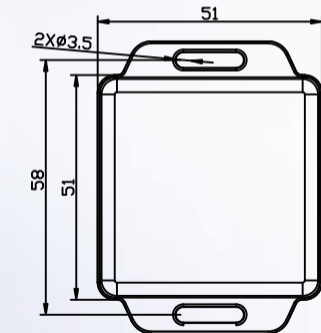
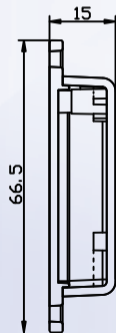


Dimensions

Product Model: BW01

Product Size: 66.5*51.15.5mm

Mounting Hole Size: $\phi 3.5$



Specifications

Model	BW01
Input voltage	4.5V-5.5V (maximum support 12V)
Standby consumption	20mA
Operating consumption	40mA
Maximum current	260mA
Operating frequency	2.412GHz~2.484GHz
Serial communications baud rate	Fixed baud rate 9600bps
Communication	RS485
Connector type	RJ45
Connection cable	Standard network cable (parallel cable)

Model	BW01
Size	66.5*51*15.5
Installation size	57.8*12mm
Mounting hole size	φ3.5
Operating temperature	-40℃~75℃
Operating humidity	10%~90% RH(Will not condense)
Ingress Protection Rating	IP 31
Net weight	55g

APP Tutorial

Scan the QR code below to obtain the APP operation manual.



1. Start-up Page
2. Register Page
3. APP Home Page
4. Device Connection