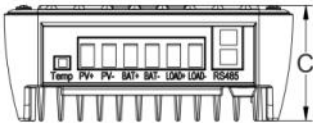
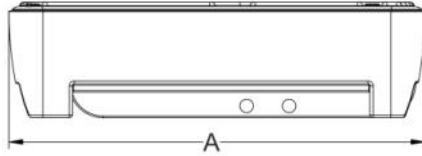
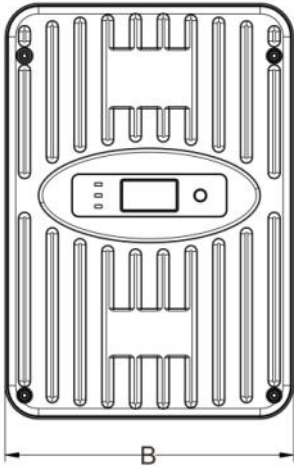


# 12V/24V MPPT

## Installation And Operation Manual Solar Charge Controller

# DIMENSIONS



Type	A		B		C	
	in	mm	in	mm	in	mm
NS24L30	8.66	220	5.83	148	2.52	64
NS24L40	8.66	220	5.83	148	2.52	64
NS24H50	9.64	245	6.69	170	2.68	68
NS24H60	9.64	245	6.69	170	2.68	68

## SPECIFICATION SUMMARY

Type	NS24L30	NS24L40	NS24H50	NS24H60
Nominal Battery Voltage	12/24V	12/24V	12/24V	12/24V
Max.PV Open-Circuit Voltage*	100V	100V	150V	150V
Nominal Max.Input Power**	420/840W	560/1120W	700/1400W	840/1680W
Max.Battery Charging Current	30A	40A	50A	60A
Rated Load Current	20A	20A	30A	30A

\*Array voltage should never exceed this limit.

\*\*These power limits refer to the maximum wattage the MPPT can manage. Higher power arrays can be used without damaging the controller.

# TABLE OF CONCENTS

1.0 Important Safely Instructions .....	1
2.0 General Information .....	4
2.1 Features .....	4
2.2 Attached Accessories .....	4
2.3 Optional Accessories .....	5
3.0 Installation Instructions .....	6
3.1 General Installation Notes .....	6
3.2 Mounting .....	7
4.0 Operation .....	9
4.1 Max Power Point Tracking Technology .....	9
4.2 Battery Charging .....	10
4.3 Load Control Information .....	11
4.4 LED Indications .....	12
4.5 Button And Display .....	13
5.0 Trouble Shooting .....	14
6.0 Technical Specifications .....	15

# 1.0 IMPORTANT SAFETY INSTRUCTIONS

## SAVE THESE INSTRUCTIONS.

This manual contains important safety, installation, and operating for the MPPT solar controller.

The following symbols are used throughout this manual to indicate potentially dangerous conditions or mark important safety instructions:



**WARNING:** Indicates a potentially dangerous condition. Be careful when performing related operations.



**CAUTION:** Indicates a critical procedure for safe and proper operation of the controller.



**NOTE:** Indicates a procedure or function that is important to the safe and proper operation of the controller.

## Safety Information

---

- Read all of the instructions and cautions in the manual before installation.
- There are no user serviceable parts inside the MPPT. Do not disassemble or attempt to repair the controller



*WARNING: Risk Of Electrical Shock. NO POWER OR ACCESSORY TERMINALS ARE ELECTRICALLY ISOLATED FROM DC INPUT, AND MAY BE ENERGIZED WITH HAZARDOUS SOLAR VOLTAGE. UNDER CERTAIN FAULT CONDITIONS, BATTERY COULD BECOME OVER-CHARGED. TEST BETWEEN ALL TERMINALS AND GROUND BEFORE TOUCHING.*



*WARNING: THE COMMUNICATION PORT IS NOT AN ISOLATION SOURCE AND ISOLATION SIGNAL. PLEASE BE CAREFUL WHEN CONNECTING WITH OTHER EQUIPMENT.*

- External solar and battery disconnects are required.
- Disconnect all sources of power to the controller before installing or adjusting the MPPT.

## Installation Safety Precautions

---



*WARNING: This unit does not contain GFDI device.*

- Mount the MPPT indoors. Prevent exposure to the elements and do not allow water to enter the controller.
- Install the MPPT in a location that prevents casual contact. The MPPT heatsink can become very hot during operation.
- Use insulated tools when working with batteries.
- Avoid wearing jewelry during installation.
- The battery bank must be comprised of batteries of same type, make, and age.
- Do not smoke near the battery bank.
- Power connections must remain tight to avoid excessive heating from a loose connection.
- Use properly sized conductors and circuit interrupters.
- The grounding terminal is located at the bottom of the case.

The MPPT controller must be installed by a qualified technician in accordance with the electrical regulations of the country of installation.

A means of disconnecting all power supply poles must be provided. These disconnects must be incorporated in the fixed wiring.

The MPPT negative power terminals are common, and must be grounded as instructions, local codes, and regulations require.

A permanent, reliable earth ground must be established with connection to the MPPT ground terminal.

The grounding conductor must be secured against any accidental detachment.

## Battery Safety

---



*WARNING: A battery can present a risk of electrical shock or burn from large amounts of short-circuit current, fire, or explosion from vented gases. Observe proper precautions.*



*WARNING: Risk of Explosion. Proper disposal of batteries is required. Do not dispose of batteries in fire. Refer to local regulations or codes for requirements.*



*CAUTION: When replacing batteries, use properly specified number, sizes, types, and ratings based on application and system design.*



*CAUTION: Do not open or mutilate batteries. Released electrolyte is harmful to skin, and may be toxic.*

- Servicing of batteries should be performed, or supervised, by personnel

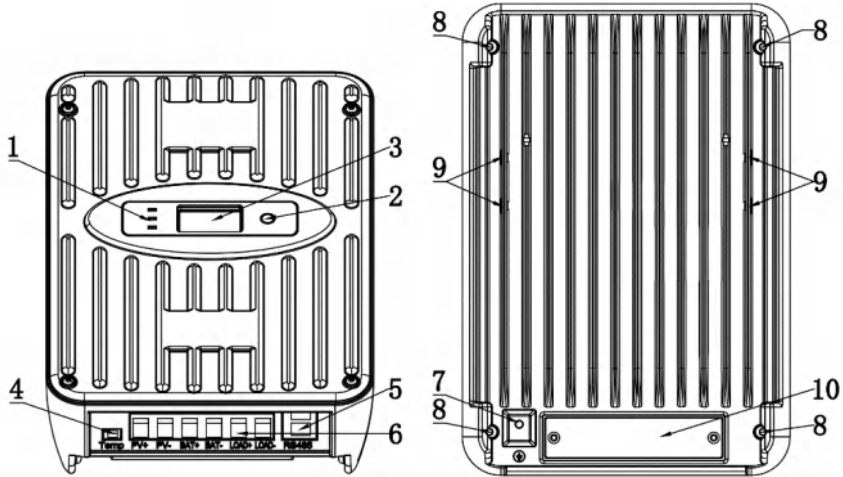
knowledgeable about batteries, and the proper safety precautions.

- Be very careful when working with large lead-acid batteries. Wear eye protection and have fresh water available in case there is contact with the battery acid.
- Remove watches, rings, jewelry and other metal objects before working with batteries.
- Wear rubber gloves and boots.
- Use tools with insulated handles and avoid placing tools or metal objects on top of batteries.
- Disconnect charging source prior to connecting or disconnecting battery terminals.
- Determine if battery is inadvertently grounded. If so, remove the source of contact with ground. Contact with any part of a grounded battery can result in electrical shock. The likelihood of such a shock can be reduced if battery grounds are removed during installation and maintenance (applicable to equipment and remote battery supplies not having a grounded supply circuit).
- Carefully read the battery manufacturer's instructions before installing / connecting to, or removing batteries from, the MPPT.
- Be very careful not to short circuit the cables connected to the battery.
- Have someone nearby to assist in case of an accident.
- Explosive battery gases can be present during charging. Be certain there is enough ventilation to release the gases.
- Never smoke in the battery area.
- If battery acid comes into contact with the skin, wash with soap and water. If the acid contacts the eye, flood with fresh water and get medical attention.
- Be sure the battery electrolyte level is correct before starting charging. Do not attempt to charge a frozen battery.
- Recycle the battery when it is replaced.

## 2.0 GENERAL INFORMATION

### 2.1 Features

The features of the MPPT are shown in below. An explanation of each feature is provided.



- 1 – Charging status / Load output status / Error LED
- 2 – Function button
- 3 – Digital OLED display
- 4 – Temperature sensor terminals
- 5 – Dual RJ45 serial communication ports
- 6 – Input and output terminals (PV+/PV-/BAT+/BAT-/LOAD+/LOAD-)
- 7 – Dedicated for grounding wire
- 8 – Reverse fixing hole
- 9 – Mounting holes for positively fixed fittings
- 10 – Terminal cover plate

### 2.2 Attached Accessories

- 1 – Aluminum alloy mounting hanger
- 2 – Temperature sensing cable
- 3 – Plastic expansion particles
- 4 – M4 screws

## 2.3 Optional Accessories

---

The following accessories are available for purchase separately from your authorized dealer:

### **MH-M80(Meter)**

The digital Remote Meter displays system operating information, error indications. Information is displayed on an OLED display. Additionally, 3 status LEDs provide system status at a glance. The Meter can easily set the parameters of the controller. The meter can be flush mounted in a wall or surface mounted using the mounting frame (included). The **MH-M80** is supplied with 3.3 ft (1.0 m) of cable (Can be extended), a mounting frame, and mounting screws. The **MH-M80** connects to the RJ-45 port on the MPPT. The **MH-M80** cannot be used with other's outside device.

### **MH-S80(Meter)**

The digital Remote Meter displays system operating information, error indications. Information is displayed on an OLED display. The Meter can easily set the parameters of the controller. The Meter can be connected to 4 controllers at most, and the controllers of the same battery system can work in parallel. The meter can be flush mounted in a wall or surface mounted using the mounting frame (included). The **MH-S80** is supplied with 3.3 ft (1.0 m) of cable (Can be extended), a mounting frame, and mounting screws. The **MH-S80** connects to the RJ-45 port on the MPPT. The **MH-S80** cannot be used with other's outside device.

### **USB-RS485 Cable**

The USB-RS485 cable converts the RJ45 electrical interface to a standard USB interface which enables communication between the MPPT and a personal computer (PC). The cable can be used for programming custom charging setpoints, and for logging data in SolarMate. The cable cannot be used with other's outside device.

### **BT-02**

A modular wiring box that can be added to MPPT controller. The box acts as a transmitter (Near field remote control), users can use the mobile app to control the MPPT through bluetooth. The wire box cannot be used with other's outside device.

### **Cloud-Box-M2**

A modular wiring box that can be added to MPPT controller. The box acts as a transmitter (Cloud remote control), users can use the mobile APP to control the MPPT through internet. The wire box cannot be used with other's outside device.



## 3.0 INSTALLATION INSTRUCTIONS

### 3.1 General Installation Notes

---

- Read through the entire installation section first before beginning installation.
- Be very careful when working with batteries. Wear eye protection. Have fresh water available to wash and clean any contact with battery acid.
- Use insulated tools and avoid placing metal objects near the batteries.



*WARNING: Never install the MPPT in an enclosure with vented/flooded batteries. Battery fumes are flammable and will corrode and destroy the MPPT circuits.*



*CAUTION: When installing the MPPT in an enclosure, ensure sufficient ventilation. Installation in a sealed enclosure will lead to over-heating, reduced power operation and a decreased product lifetime.*

- Do not install in locations where water can enter the controller.
- Loose power connections and /or corroded wires may result in resistive connections that melt wire insulation, burn surrounding materials, or even cause fire. Ensure tight connections and use cable clamps to secure cables and prevent them from swaying in mobile applications.
- Preset charging profiles are generally designed for common batteries. Custom settings can be used for varied charging requirements (see sections 4.2 for details).
- The MPPT battery connection may be wired to one battery, or a bank of batteries.
- The MPPT prevents reverse current leakage at night, so a blocking diode is not required in the system.
- The MPPT is designed to regulate ONLY solar (photovoltaic) power. Connection to any other type of power source e.g. wind turbine or generator may void the warranty.



*WARNING: Solar and battery fuses or DC breakers are required in the system. These protection devices are external to the MPPT controller.*



*WARNING: Installation must comply with Electrical Code requirements. Breakers and fuses may require lower ratings than referenced, so as not to exceed any specific wire ampacity.*

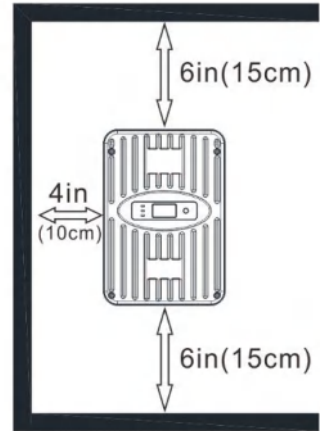
## 3.2 Mounting

Inspect the controller for shipping damage. Do not install directly over an easily combustible surface since the heat sink may get hot under certain operating conditions.

For proper air flow, allow at least 15 cm (6 in) of space above and below the controller, and 10 cm (4 in) at the sides. Do not locate in an enclosure where battery gases can accumulate.



*NOTE: The heat sink must be in a vertical position (fins up and down).*



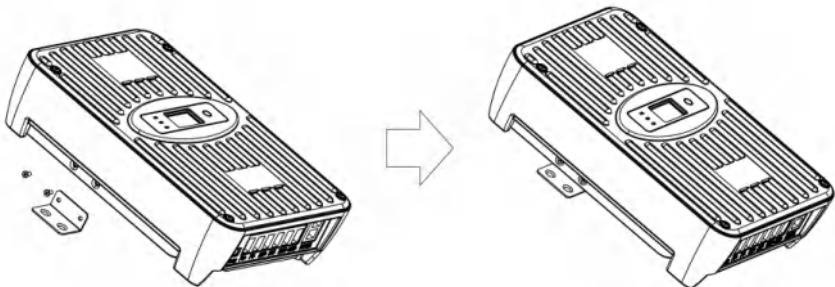
### STEP 1: Check Controller Limitations

Verify that the highest temperature compensated solar array open-circuit voltage (Voc), and load current do not exceed the ratings of the MPPT version being installed. Multiple controllers can be installed in parallel on the same battery bank to achieve greater total charging current. In this type of system, each MPPT must have its own solar array. The load terminals of multiple controllers can only be wired together if the total load draw does not exceed the nameplate current of the LOWEST rated controller.

### STEP 2: Fasten the installation accessories

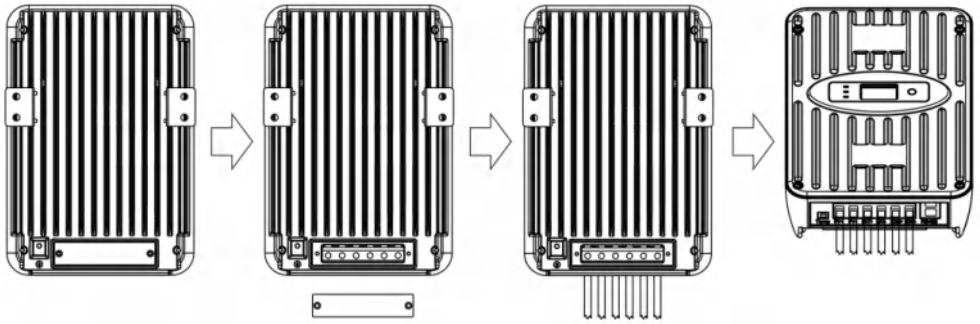
Align the installation accessories with the mounting holes on the controller.

Fasten the installation accessories to the controller with M4 (4-M4 stainless steel screws are included)



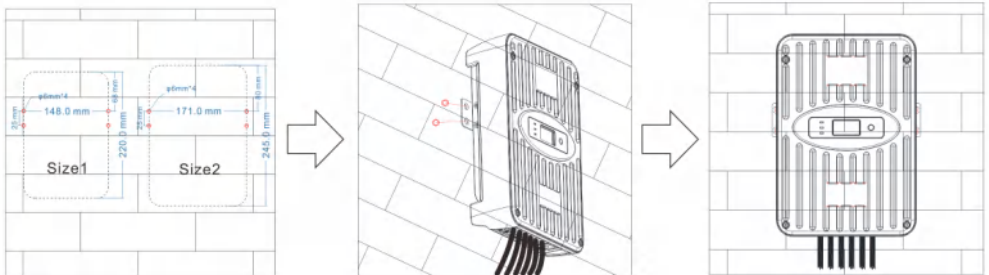
### STEP 3: Connect input and output wires

Before wiring, it is necessary to open the cover plate on the back of the controller, then wiring according to the wire sequence and tighten the screws, and then install the cover plate again after confirmation.



#### STEP 4: Drill mounting holes in the wall

Measure and mark the distance on the wall, drill 6mm holes and insert plastic expansion particles and tighten.



#### STEP 5: Mount the controller on the wall

Align the controller with the mounting hole, tighten the controller to the wall with M4 screws.

#### STEP 6: Power on and start working

Check that the solar panel and battery are in normal condition, and then switch on in the order of first battery and then solar panel.



*NOTE: Before connecting the battery, measure the open-circuit voltage. It must be over 10 volts to start the controller. If the system voltage is set to Auto-detect, battery voltage over 18V will be detected as a 24V nominal battery, and the unit will charge accordingly. The 12/24V auto selection is only done at start-up.*



*Warning: Risk of damage*

*Disconnect the battery from the MPPT after the solar input is disconnected as far as possible. If the battery is removed during MPPT charging, there is a certain probability that the controller will be damaged.*

*To prevent damage, the power must be cut off under the following conditions:*

## 4.0 OPERATION

### 4.1 Max Power Point Tracking Technology

Power is the product of voltage and current (Volts x Amps), the following is true\*:

(1) Power Into the MPPT = Power Out of the MPPT

(2) Volts In x Amps In = Volts Out x Amps Out

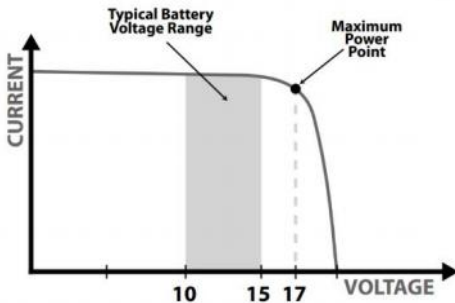
\* assuming 100% efficiency i.e. if no losses in wiring and conversion existed.

If the solar module's  $V_{mp}$  is greater than the battery voltage, it follows that the battery current must be proportionally greater than the solar input current so that input and output power are balanced. The greater the difference between the maximum power voltage and battery voltage, the greater the current boost.

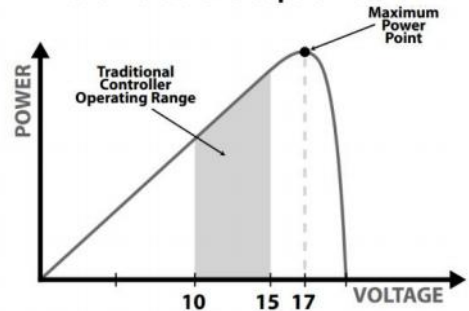
Higher solar input voltage results in lower solar input current for a given input power. High voltage solar input strings allow for smaller gauge solar wiring. This is especially helpful for systems with long wiring runs between the solar array and the MPPT.

**An Advantage Over Traditional Controllers** Traditional controllers connect the solar module directly to the battery when recharging. This requires that the solar module operate in a voltage range that is below the module's  $V_{mp}$ . In a 12V system, for example, the battery voltage may range from 10 - 15 Vdc but the module's  $V_{mp}$  is typically around 17V. The figure below shows a typical current vs. voltage output curve for a nominal 12V charging system.

**12 Volt Module Current vs. Voltage**



**12 Volt Module Output Power**



## 4.2 Battery Charging

---

### Charging lead-acid batteries

The MPPT has a 4-stage battery charging algorithm for rapid, efficient, and safe battery charging.

1 - **CC Stage** (Constant Current Charging): Fast Charging

2 - **CV Stage** (Constant Voltage Charging): Absorption Charging

3 - **CF Stage** (Floating Charging): Protect the battery from long-term overcharge. And make up the loss of self-discharge

4 - **Equalization Stage**: Activate battery chemical reaction

### Charging Lithium ion batteries

The MPPT will charge according to the specifications of lithium-ion battery, which is mainly divided into two stages. First stage, when the battery voltage is less than the saturation voltage, it will charge quickly, and the second stage, when the battery voltage is equal to the saturation voltage, it will absorb charge.

### Battery Charge Setting

---

Charging parameters of lead-acid battery. All voltage settings listed are for nominal 12 Volt batteries. Multiply the voltage settings by two (2) for 24 Volt batteries.

Battery Charging Set-points (@ 25°C): [multiply voltages by (2) for 24 volt systems]

Bat Type	CV (volts)	CF (volts)	Equalize (volts)	Equalize (minutes)	Undervoltage protection	Undervoltage Recovery
Gel	14.2	13.8	14.2	30 Custom	11.1	12.6
Sealed	14.4	13.8	14.6	30 Custom	11.1	12.6
Flooded	14.6	13.8	14.8	30 Custom	11.1	12.6
AGM	14.1	13.7	14.4	30 Custom	11.1	12.6
Custom	Custom	Custom	Custom	30 Custom	Custom	Custom

Charging parameters of lithium ion battery.

Bat Type	Nominal Voltage	Saturation Voltage	Cut-off Voltage	Cut off recovery
LiFePO4-4s	12.8	14.4	10.8	12.4

LiFePO4-7s	22.4	25.2	18.9	21.7
LiFePO4-8s	25.6	28.8	21.6	24.8
Ternary-3s	11.1	12.6	9.6	10.5
Ternary-6s	22.2	25.2	19.2	21
Ternary-7s	25.9	29.4	22.4	24.5
Custom	Custom	Custom	Custom	Custom



*NOTE: These settings are general guidelines for use at the operator's discretion. The MPPT can be set to satisfy a wide range of charging parameters. Consult the battery manufacturer for optimal battery charge settings.*

### 4.3 Load Control Information

---

The primary purpose of the load control function is to disconnect system loads when the battery has discharged to a low state of charge, and reconnect system loads when the battery is sufficiently recharged. System loads may be lights, DC appliances, or other electronic devices. The total current draw of all loads must not exceed the MPPT 20 or 30 Amp maximum load rating.



*CAUTION: Equipment Damage*

*Do not wire any AC inverter to the load terminals of the MPPT. Damage to the load control circuit may result. An inverter should be wired to the battery. If there is a possibility that any other load will sometimes exceed the maximum voltage or current limits, the device should be wired directly to the battery or battery bank.*

#### **General Load Control Notes:**

Do not wire multiple MPPT load outputs together in parallel to power DC loads with a current draw greater than 20 or 30A, depending on the MPPT model in use.

Equal current sharing cannot be assured and an over-load condition will likely occur on one or more controllers.

Exercise caution when connecting loads with specific polarity to a live load circuit. A reverse polarity connection may damage the load. Always double check load connections before applying power.

The load output voltage range is the same as battery pack. For example, if the battery's voltage is 25.2V, the instant load output voltage is 25.2V, too.

It can supply power to load output continuously if the load output current in within the rated range.

When the load output working current is 100%-120% of rated current for 5 mins, load output will be OFF.

As soon as load output working current is over 120% of rated current, the load output will be OFF immediately.



*NOTE: To restart load output, user should set Load Type to "ON" or others manually through controller/APP/meter/PC.*

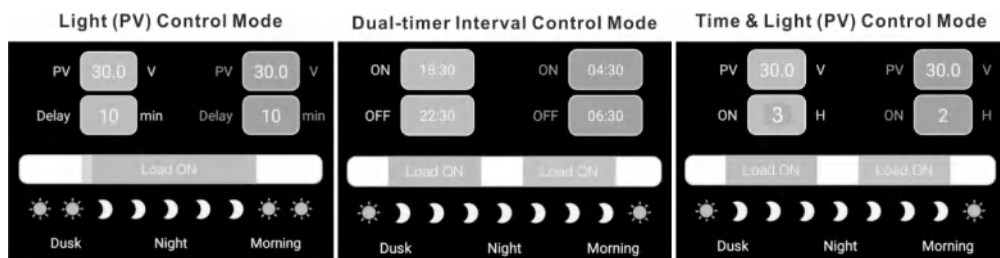
### Load Control Modes:

1 – ON/OFF Mode: The state of being on or off.

2 – Light (PV) Control Mode: On and off according to whether there is sunlight. Refer to the model shown in the figure.

3 – Dual-timer Interval Control Mode: On and off by two timers. Refer to the model shown in the figure.

4 – Time & Light (PV) Control Mode: On and off according to sunlight in hours.



*Note: Only ON/OFF mode can be set on the controller, and others need to be set through optional accessories.*



*Note: ON/OFF mode can be set, refer to [4.5](#)*

## 4.4 LED Indications

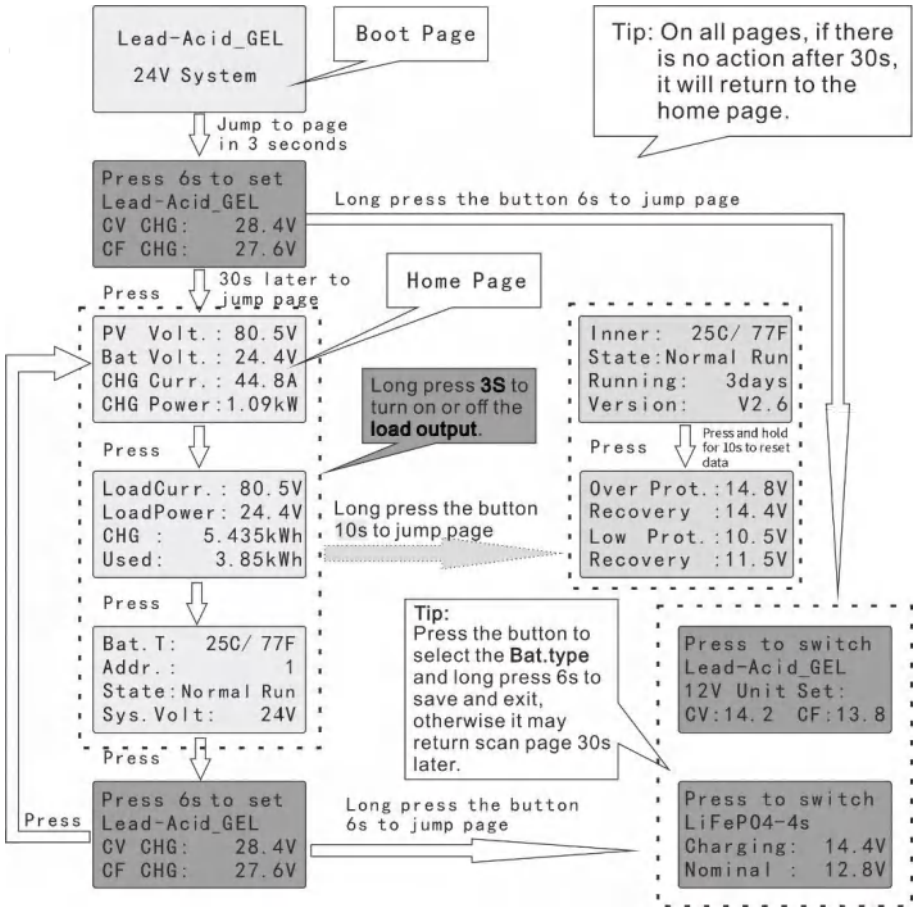
**Green:** It represents the state of load output. When it is always on, it indicates that it is currently in on mode and on state. When it flashes, it indicates that it is currently in on mode but does not meet the conditions of on. When it is off, it indicates off mode.

**Bule:** It indicates the charging state: when it flashes quickly, it indicates the fast charging state (CC), when it flashes slowly, it indicates the constant voltage charging state (CV), when it is always on, it indicates that it is in floating charge state (CF) or standby mode.

**Red:** It will flash when there is a fault but it can still run. It will always be on when the fault causes it to stop working. When it is off, it indicates normal.

## 4.5 Button And Display

The controller has a 1.3-inch OLED display and a function button. The user can **ONLY** set the battery type with preset parameters. Refer to the following figure for specific logic.



*Note: If need to customize other parameters, you can implement them through optional accessories.*



## 5.0 TROUBLE SHOOTING



**WARNING:** RISK OF ELECTRICAL SHOCK.

NO POWER OR ACCESSORY TERMINALS ARE ELECTRICALLY ISOLATED FROM DC INPUT, AND MAY BE ENERGIZED WITH HAZARDOUS SOLAR VOLTAGE. UNDER CERTAIN FAULT CONDITIONS, BATTERY COULD BECOME OVERCHARGED. TEST BETWEEN ALL TERMINALS AND GROUND BEFORE TOUCHING.



**WARNING:** Shock Hazard

A means of disconnecting all power supply poles must be provided. These disconnects must be incorporated in the fixed wiring. Open all power source disconnects before removing controller wiring cover, or accessing wiring.

### **Problem:**

No LED indications, controller does not appear to be powered

### **Solution:**

With a multi-meter, check the voltage at the battery terminals on the MPPT. Battery voltage must be 10 vdc or greater. If the voltage on the battery terminals of the controller is between 10 and 35 vdc, and no LEDs are lit, contact your authorized dealer for service. If no voltage is measured, check wiring connections, fuses, and breakers.

### **Problem:**

The MPPT is not charging the battery.

### **Solution:**

Check the fuses, breakers, and wiring connections in the power source wiring. With a multi-meter, check the array voltage directly at the MPPT solar input terminals. Input voltage must be greater than battery voltage before charging will begin.

Check whether the battery voltage in OLED is in the range of controller system recognition.

### **Problem:**

The battery is in a low energy or empty for a long time.

### **Solution:**

Possible reasons: 1. Solar panels quantity are too less to generate enough energy, increase solar panels quantity.

2. Battery capacity is too small to store enough energy, increase battery capacity.

Display In Oled	Description
Normal Run	No fault
HS Over	Heatsink overheating
PV Low	Low input voltage
BAT Low	Battery low
BAT Over	Battery Over
PV Over	Over input voltage
CHG Over	Charging overcurrent
DisC. Over	Discharging overcurrent

## 6.0 TECHNICAL SPECIFICATIONS

Common Negative MPPT Controller				
Model:	NS24L30	NS24L40	NS24H50	NS24H60
<b>Electrical:</b>				
Nominal Battery Voltage	12 or 24 Vdc			
Battery Voltage Range	9 ~ 30Vdc			
Voltage Accuracy	< +/- 0.2V			
Max.Battery Current	30A	40A	50A	60A
Max.PV Open-Circuit Voltage	100V		150V	
Load Current Rating	20A		30A	
Self-Consumption	1~2W			
Conversion Efficiency (Peak)	97%			
<b>Mechanical:</b>				
Dimensions (Net)	220x148x64		245x170x69	
Dimensions (Pack)	275x176x70		300x198x75	
Weight (Net)	1.5kg		2.2kg	
Weight (Pack)	1.9kg		2.6kg	
Max.Wire Size	25mm <sup>2</sup> / #3 Awg			

<b>Data &amp; Communications</b>	
Communication Port	Dual RJ45
Comm.Protocols	Private protocol and MODBUS
PC Software	SolarMate
Meter	MH-M80 / MH-S80
Dry Contact Access Voltage	Via RJ45 port
<b>Environmental:</b>	
Ambient Temperature Range	-30°C ~ +50°C
Storage Temperature	-30°C ~ +80°C
Humidity	100% n.c.
IP (Ingress protection)	IP42

Protections.....

- Reverse Polarity - battery and array
- Solar Short-Circuit
- High Heatsink Temperature - Current De-rating
- Load Short-Circuit
- Load Over-Current
- Heatsink Temperature Limit
- Over-volt / low-volt protection
- Battery shedding

Wire Sizing Charts.....

**2% Voltage Drop Charts for 75°C Stranded Copper Wire**

1-Way Wire Distance (feet), 12 Volt System									
Wire Size (AWG)	60A	55A	50A	45A	40A	35A	30A	25A	20A
2/0*	22.4	24.4	26.9	29.9	33.6	38.4	44.8	53.8	67.2
1/0*	17.7	19.3	21.3	23.6	26.6	30.4	35.5	42.6	53.2
2	11.2	12.2	13.4	14.9	16.8	19.2	22.4	26.9	33.6
4	7.1	7.7	8.5	9.4	10.6	12.1	14.1	17.0	21.2
6	4.4	4.8	5.3	5.9	6.6	7.5	8.8	10.6	13.2

8	2.8	3.1	3.4	3.7	4.2	4.8	5.6	6.7	8.4
10	1.7	1.9	2.1	2.3	2.6	3.0	3.5	4.2	5.2
<b>1-Way Wire Distance (meters), 12 Volt System</b>									
Wire Size (mm <sup>2</sup> )	60A	55A	50A	45A	40A	35A	30A	25A	20A
70*	6.8	7.4	8.2	9.1	10.2	11.7	13.7	16.4	20.5
50*	5.4	5.9	6.5	7.2	8.1	9.3	10.8	13.0	16.2
35*	3.4	3.7	4.1	4.5	5.1	5.8	6.8	8.2	10.2
25	2.1	2.3	2.6	2.9	3.2	3.7	4.3	5.2	6.4
16	1.3	1.5	1.6	1.8	2.0	2.3	2.7	3.2	4.0
10	0.8	0.9	1.0	1.1	1.3	1.5	1.7	2.0	2.5
6	0.5	0.6	0.6	0.8	0.8	0.9	1.1	1.3	1.6

Maximum 1-way wire distance for 12 Volt systems, stranded copper, 2% voltage drop

### 2% Voltage Drop Charts for 75°C Solid Copper Wire

<b>1-Way Wire Distance (feet), 12 Volt System</b>									
Wire Size (AWG)	60A	55A	50A	45A	40A	35A	30A	25A	20A
2/0*	27.8	30.3	33.4	37.1	41.7	47.7	55.6	66.7	83.4
1/0*	22.1	24.1	26.5	29.4	33.1	37.8	44.1	53.0	66.2
2	13.9	15.1	16.6	18.5	20.8	23.8	27.7	33.3	41.6
4	8.7	9.5	10.5	11.6	13.1	15.0	17.5	21.0	26.2
6	5.5	6.0	6.6	7.3	8.2	9.4	10.9	13.1	16.4
8	3.5	3.8	4.2	4.6	5.2	5.9	6.9	8.3	10.4
10	2.2	2.4	2.6	2.9	3.3	3.8	4.4	5.3	6.6
<b>1-Way Wire Distance (meters), 12 Volt System</b>									
Wire Size (mm <sup>2</sup> )	60A	55A	50A	45A	40A	35A	30A	25A	20A
70*	8.5	9.2	10.2	11.3	12.7	14.5	16.9	20.3	25.4
50*	6.7	7.3	8.1	9.0	10.1	11.5	13.4	16.1	20.2
35*	4.2	4.6	5.1	5.6	6.3	7.2	8.5	10.1	12.7
25	2.7	2.9	3.2	3.5	4.0	4.6	5.3	6.4	8.0
16	1.7	1.8	2.0	2.2	2.5	2.9	3.3	4.0	5.0
10	1.1	1.1	1.3	1.4	1.6	1.8	2.1	2.5	3.2
6	0.7	0.7	0.8	0.9	1.0	1.1	1.3	1.6	2.0

Maximum 1-way wire distance for 12 Volt systems, solid copper, 2% voltage drop



*Note: \*Wires sizes larger than 4 AWG (25 mm<sup>2</sup>) must be terminated at a splicer block located*

outside of the MPPT. Use 4 AWG (25 mm<sup>2</sup>) or smaller wire to connect to the MPPT to the splicer block.

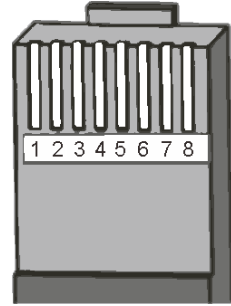


- The specified wire length is for a pair of conductors from the solar or battery source to the controller (1-way distance)

- For 24 volt systems, multiply the 1-way length in the table by 2.

## RJ45 Port Definition

PIN	Function
1	RS485-A
2	RS485-B
3	Dry contact
4	Dry contact
5	GND(isolation)
6	GND(isolation)
7	+5V(isolation)
8	+5V(isolation)

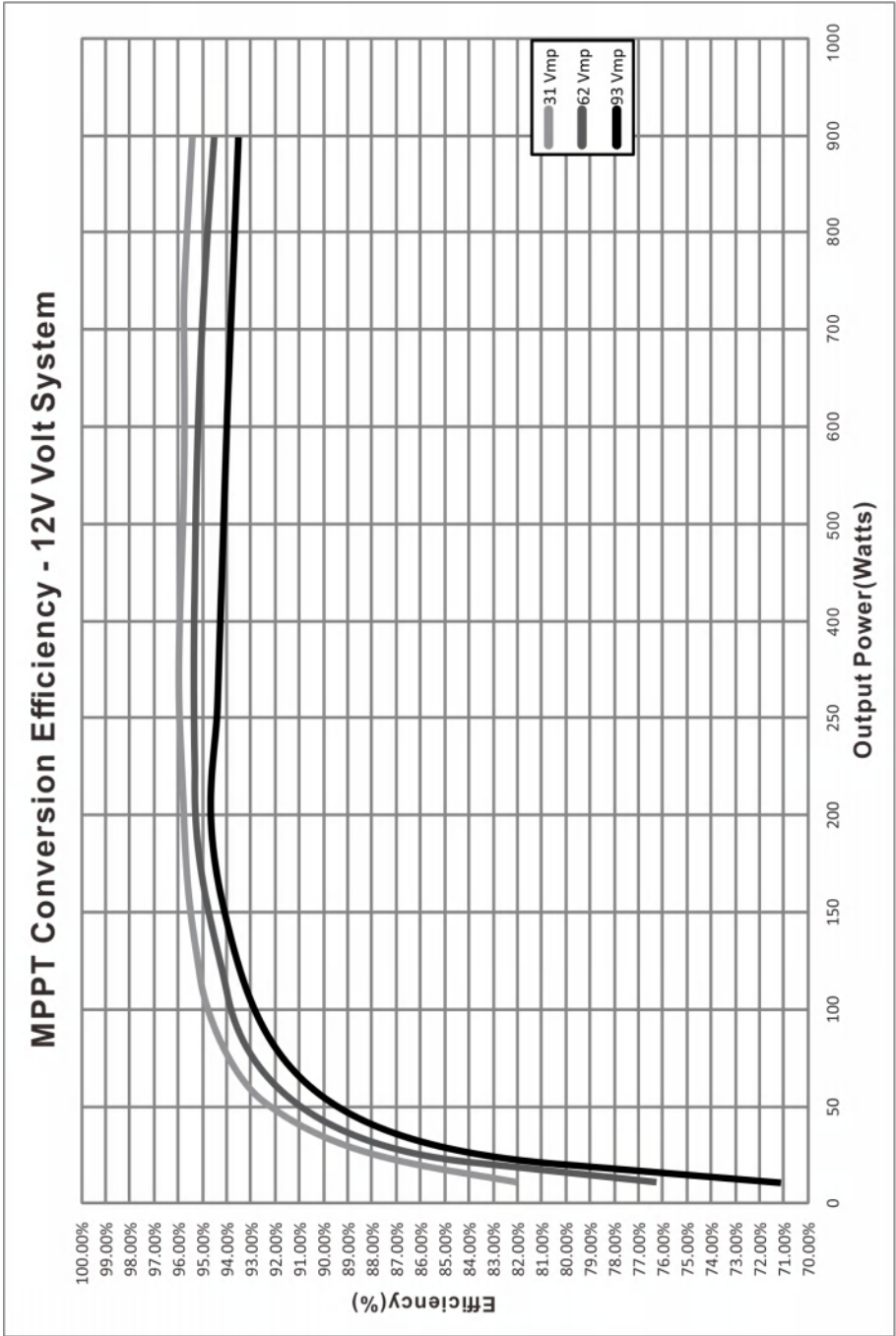


## Serial Connection(String) Of Solar Panels

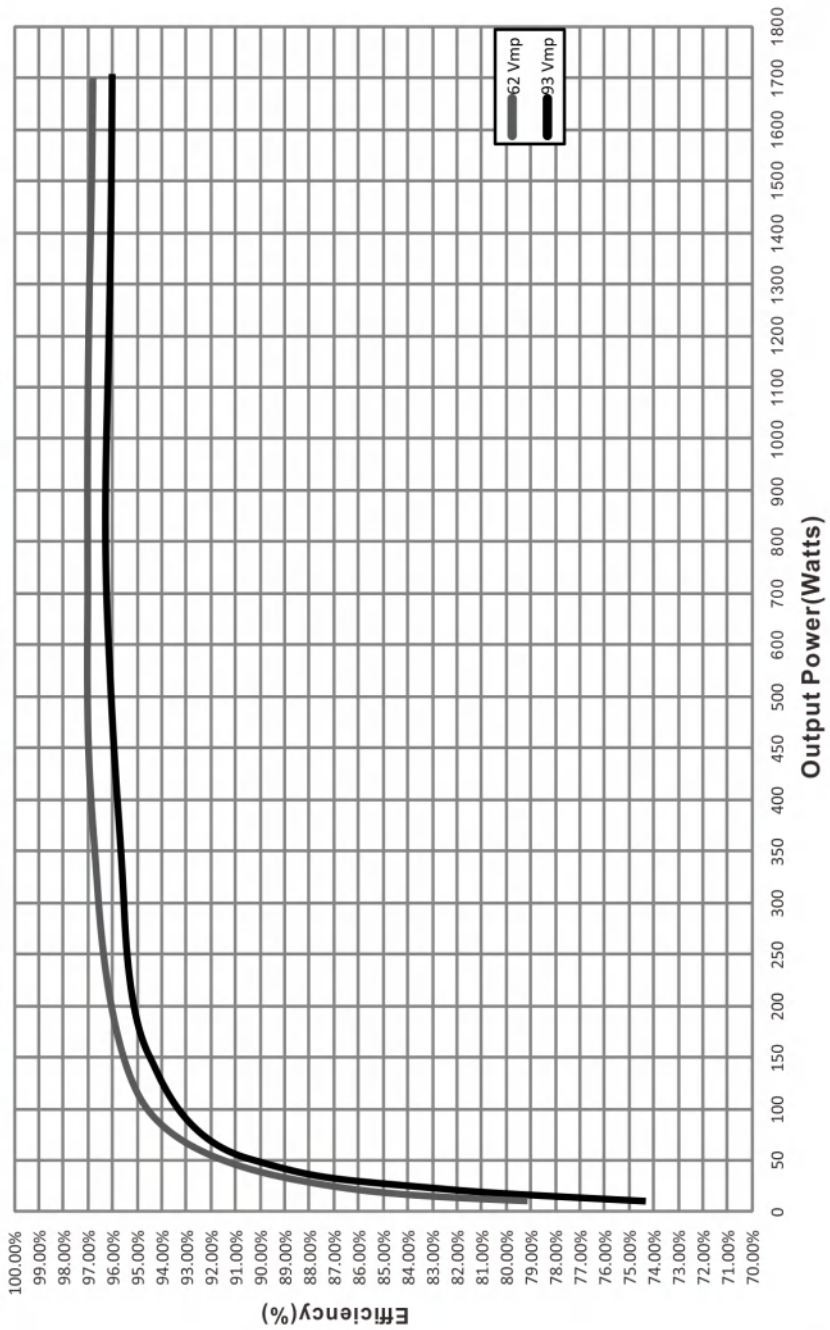
Voc * N = PVininput < 100Vdc												
System Voltage	Voc<23V		Voc<31V		Voc<34V		Voc<38V		Voc<46V		Voc<62V	
	Max.	Best	Max.	Best	Max.	Best	Max.	Best	Max.	Best	Max.	Best
12V	4	2	3	1	2	1	2	1	2	1	1	1
24V	4	3	3	2	2	2	2	2	2	2	1	1
Voc * N = PVininput < 150Vdc												
System Voltage	Voc<23V		Voc<31V		Voc<34V		Voc<38V		Voc<46V		Voc<62V	
	Max.	Best	Max.	Best	Max.	Best	Max.	Best	Max.	Best	Max.	Best
12V	6	2	4	1	4	1	3	1	3	1	2	1
24V	6	3	4	2	4	2	3	2	3	2	2	1



Note: The table is the quantity(N) of solar panels in series, for reference only.



# MPPT Conversion Efficiency - 24V Volt System





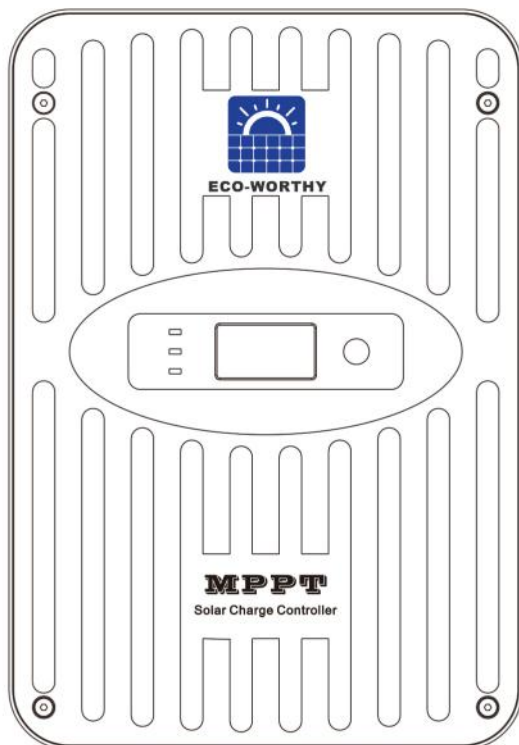
**ECO-WORTHY**



Solar Charging System Controller

MPPT

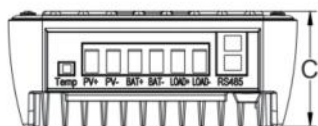
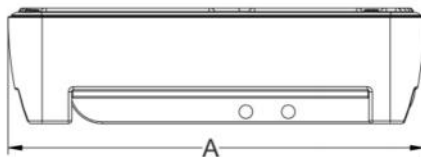
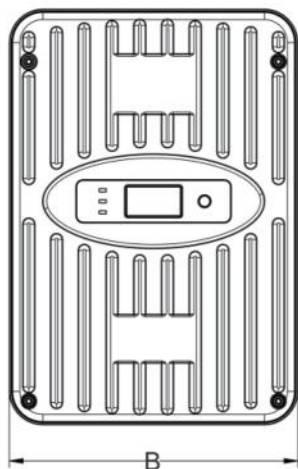




# 12V/24V MPPT

**Installations- und Bedienungsanleitung  
Solarladeregler**

# MASSE



Type	A		B		C	
	in	mm	in	mm	in	mm
<b>NS24L30</b>	8.66	220	5.83	148	2.52	64
<b>NS24L40</b>	8.66	220	5.83	148	2.52	64
<b>NS24H50</b>	9.64	245	6.69	170	2.68	68
<b>NS24H60</b>	9.64	245	6.69	170	2.68	68

## ZUSAMMENFASSUNG DER SPEZIFIKATION

Type	NS24L30	NS24L40	NS24H50	NS24H60
Nominale Batteriespannung	12/24V	12/24V	12/24V	12/24V
Max. PV-Leerlaufspannung*	100V	100V	150V	150V
Nominale max. Eingangsleistung**	420/840W	560/1120W	700/1400W	840/1680W
Max. Batterieladestrom	30A	40A	50A	60A
Nennlaststrom	20A	20A	30A	30A

\*Die Array-Spannung sollte diesen Grenzwert niemals überschreiten.

\*\*Diese Leistungsgrenzen beziehen sich auf die maximale Wattleistung, die der MPPT verwalten kann.

Arrays mit höherer Leistung können verwendet werden, ohne den Controller zu beschädigen.

# INHALTSVERZEICHNIS

1.0 Wichtige Sicherheitshinweise .....	1
2.0 Allgemeine Informationen .....	4
2.1 Funktionen .....	4
2.2 Beiliegendes Zubehör .....	4
2.3 Optionales Zubehör .....	5
3.0 Installationsanweisungen .....	6
3.1 Allgemeine Installationshinweise .....	6
3.2 Montage .....	7
4.0 Betrieb .....	9
4.1 Max-Power-Point-Tracking-Technologie .....	9
4.2 Aufladen des Akkus .....	10
4.3 Ladekontrollinformationen .....	11
4.4 LED-Anzeigen .....	12
4.5 Taste und Anzeige .....	13
5.0 Fehlerbehebung .....	14
6.0 Technische Daten .....	15

# 1.0 WICHTIGE SICHERHEITSHINWEISE

## ANLEITUNG AUFBEWAHREN.

Dieses Handbuch enthält wichtige Sicherheits-, Installations- und Betriebshinweise für den MPPT-Solarregler.

Die folgenden Symbole werden in diesem Handbuch verwendet, um auf potenziell gefährliche Bedingungen hinzuweisen oder wichtige Sicherheitshinweise zu kennzeichnen:



**WARNUNG:** Weist auf einen möglicherweise gefährlichen Zustand hin. Seien Sie vorsichtig, wenn Sie damit zusammenhängende Vorgänge ausführen.



**VORSICHT:** Weist auf ein kritisches Verfahren für den sicheren und ordnungsgemäßen Betrieb des Controllers hin.



**HINWEIS:** Weist auf ein Verfahren oder eine Funktion hin, die für den sicheren und ordnungsgemäßen Betrieb des Steuergeräts wichtig ist.

## Sicherheitsinformation

---

- Lesen Sie vor der Installation alle Anweisungen und Vorsichtshinweise im Handbuch.
- Im Inneren des MPPT befinden sich keine vom Benutzer zu wartenden Teile. Zerlegen Sie den Controller nicht und versuchen Sie nicht, ihn zu reparieren



**WARNUNG:** *Stromschlaggefahr. KEINE STROM- ODER ZUBEHÖRANSCHLÜSSE SIND VOM GLEICHSTROM-EINGANG ELEKTRISCH GETRENNT UND KÖNNEN UNTER SPANNUNG STEHEN MIT GEFÄHRLICHER SONNENSPANNUNG. UNTER BESTIMMTEN FEHLERBEDINGUNGEN KÖNNTE DIE BATTERIE ÜBERLADET WERDEN. TESTEN SIE ZWISCHEN ALLEN ANSCHLÜSSEN UND DER MASSE, BEVOR SIE SIE BERÜHREN.*



**WARNUNG:** *DER KOMMUNIKATIONSPORT IST KEINE ISOLATIONSQUELLE UND KEIN ISOLATIONSSIGNAL. BITTE SEIEN SIE VORSICHTIG, WENN SIE ANDERE GERÄTE ANSCHLIESSEN.*

- Externe Solar- und Batterietrenner sind erforderlich.
- Trennen Sie alle Stromquellen zum Controller, bevor Sie den MPPT installieren oder einstellen.

## Sicherheitsvorkehrungen bei der Installation

---



**WARNUNG:** Dieses Gerät enthält kein GFDI-Gerät.

- Montieren Sie den MPPT im Innenbereich. Schützen Sie sich vor Witterungseinflüssen und lassen Sie kein Wasser in die Steuerung eindringen.
- Installieren Sie den MPPT an einem Ort, der zufälligen Kontakt verhindert. Der MPPT-Kühlkörper kann während des Betriebs sehr heiß werden.
- Verwenden Sie beim Arbeiten mit Batterien isolierte Werkzeuge.
- Vermeiden Sie das Tragen von Schmuck während der Installation.
- Die Batteriebank muss aus Batterien des gleichen Typs, der gleichen Marke und des gleichen Alters bestehen.
- Rauchen Sie nicht in der Nähe der Batteriebank.
- Die Stromanschlüsse müssen dicht bleiben, um eine übermäßige Erwärmung durch eine lockere Verbindung zu vermeiden.
- Verwenden Sie richtig dimensionierte Leiter und Trennschalter.
- Die Erdungsklemme befindet sich an der Unterseite des Gehäuses.

Der MPPT-Regler muss von einem qualifizierten Techniker gemäß den elektrischen Vorschriften des Installationslandes installiert werden.

A means of disconnecting all power supply poles must be provided. These disconnects must be incorporated in the fixed wiring.

Die negativen MPPT-Stromanschlüsse sind gemeinsam und müssen gemäß den Anweisungen, örtlichen Vorschriften und Vorschriften geerdet werden.

Eine dauerhafte, zuverlässige Erdung muss mit Verbindung zum MPPT-Erdungsanschluss hergestellt werden.

Der Erdungsleiter muss gegen unbeabsichtigtes Lösen gesichert werden.

## Batteriesicherheit

---



**WARNUNG:** Eine Batterie kann ein Stromschlag- oder Verbrennungsrisiko durch große Mengen an Kurzschlussstrom, Feuer oder Explosion durch austretende Gase darstellen. Beachten Sie die entsprechenden Vorsichtsmaßnahmen.



**WARNUNG:** Explosionsgefahr. Die ordnungsgemäße Entsorgung von Batterien ist erforderlich. Werfen Sie Batterien nicht ins Feuer. Informationen zu den Anforderungen finden Sie in den örtlichen Vorschriften oder Vorschriften.



**VORSICHT:** Verwenden Sie beim Ersetzen von Batterien die korrekt angegebene Anzahl, Größen, Typen und Nennwerte basierend auf der Anwendung und dem Systemdesign.



**VORSICHT:** Batterien nicht öffnen oder beschädigen. Freigesetzter Elektrolyt ist schädlich für die Haut und kann giftig sein.

- Die Wartung von Batterien sollte von Personal durchgeführt oder überwacht werden

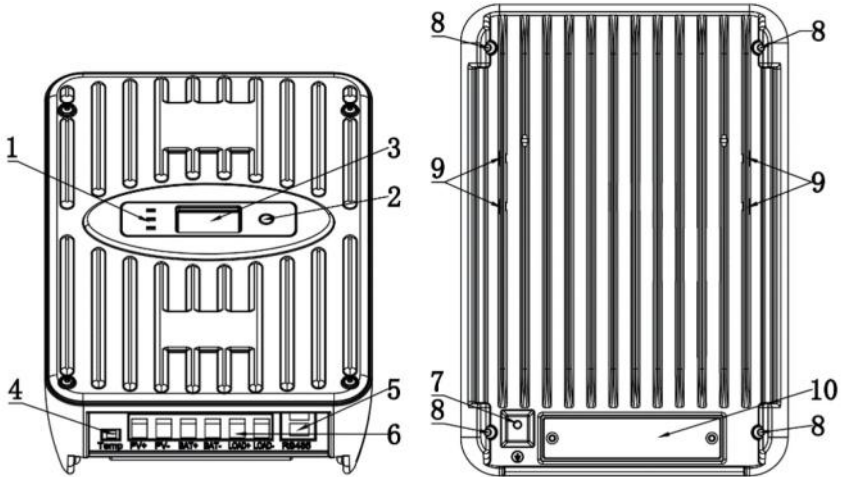
sich mit Batterien und den richtigen Sicherheitsvorkehrungen auskennen.

- Seien Sie sehr vorsichtig, wenn Sie mit großen Blei-Säure-Batterien arbeiten. Tragen Sie einen Augenschutz und halten Sie frisches Wasser bereit, falls es zu einem Kontakt mit der Batteriesäure kommen sollte.
- Legen Sie Uhren, Ringe, Schmuck und andere Metallgegenstände ab, bevor Sie mit Batterien arbeiten.
- Tragen Sie Gummihandschuhe und -stiefel.
- Verwenden Sie Werkzeuge mit isolierten Griffen und legen Sie keine Werkzeuge oder Metallgegenstände auf die Batterien.
- Trennen Sie die Ladequelle, bevor Sie die Batterieklemmen anschließen oder trennen.
- Stellen Sie fest, ob die Batterie versehentlich geerdet ist. Wenn dies der Fall ist, entfernen Sie die Kontaktquelle mit der Erde. Der Kontakt mit irgendeinem Teil einer geerdeten Batterie kann zu einem Stromschlag führen. Die Wahrscheinlichkeit eines solchen Stromschlags kann verringert werden, wenn die Batterieerdung während der Installation und Wartung entfernt wird (gilt für Geräte und externe Batterieversorgungen ohne geerdeten Versorgungskreis).
- Lesen Sie die Anweisungen des Batterieherstellers sorgfältig durch, bevor Sie Batterien am MPPT installieren/anschließen oder daraus entfernen.
- Achten Sie darauf, die an die Batterie angeschlossenen Kabel nicht kurzzuschließen.
- Halten Sie im Falle eines Unfalls jemanden in der Nähe bereit, der Ihnen hilft.
- Beim Laden können explosive Batteriegase entstehen. Stellen Sie sicher, dass genügend Belüftung vorhanden ist, um die Gase freizusetzen.
- Rauchen Sie niemals im Batteriebereich.
- Wenn Batteriesäure mit der Haut in Berührung kommt, mit Wasser und Seife waschen. Wenn die Säure ins Auge gelangt, spülen Sie es mit frischem Wasser und suchen Sie einen Arzt auf.
- Stellen Sie sicher, dass der Elektrolytstand der Batterie korrekt ist, bevor Sie mit dem Laden beginnen. Versuchen Sie nicht, eine eingefrorene Batterie aufzuladen.
- Recyceln Sie die Batterie, wenn sie ausgetauscht wurde.

## 2.0 ALLGEMEINE INFORMATIONEN

### 2.1 Funktionen

Die Merkmale des MPPT sind unten dargestellt. Eine Erläuterung der einzelnen Funktionen wird bereitgestellt.



- 1 – Ladestatus / Lastausgangsstatus / Fehler-LED
- 2 – Funktionstaste
- 3 – Digitales OLED-Display
- 4 – Klemmen des Temperatursensors
- 5 – Zwei serielle RJ45-Kommunikationsports
- 6 – Eingangs- und Ausgangsklemmen (PV+/PV-/BAT+/BAT-/LOAD+/LOAD-)
- 7 – Speziell für Erdungskabel
- 8 – Umgekehrtes Befestigungsloch
- 9 – Befestigungslöcher für formschlüssige Beschläge
- 10 – Klemmenabdeckplatte

### 2.2 Beiliegendes Zubehör

- 1 – Aufhänger aus Aluminiumlegierung
- 2 – Temperatursensorkabel
- 3 – Kunststoff-Expansionspartikel
- 4 – M4-Schrauben

## 2.3 Optionales Zubehör

---

Das folgende Zubehör ist separat bei Ihrem autorisierten Händler erhältlich:

### **MH-M80 (Meter)**

Das digitale Remote Meter zeigt Systembetriebsinformationen und Fehleranzeigen an. Informationen werden auf einem OLED-Display angezeigt. Zusätzlich zeigen 3 Status-LEDs den Systemstatus auf einen Blick. Das Messgerät kann die Parameter des Controllers einfach einstellen. Der Zähler kann mit der Halterung bündig in eine Wand oder aufputz montiert werden Rahmen (im Lieferumfang enthalten). Der MH-M80 wird mit einem 1,0 m langen Kabel (kann verlängert werden), einem Montagerahmen und Montageschrauben geliefert. Der MH-M80 wird mit dem RJ-45-Port des MPPT verbunden. Der MH-M80 kann nicht mit externen Geräten anderer verwendet werden.

### **MH-S80 (Meter)**

Das digitale Remote Meter zeigt Systembetriebsinformationen und Fehleranzeigen an. Informationen werden auf einem OLED-Display angezeigt. Das Messgerät kann die Parameter des Controllers einfach einstellen. Das Messgerät kann an maximal 4 Controller angeschlossen werden, und die Controller desselben Batteriesystems können parallel arbeiten. Der Zähler kann mit dem Montagerahmen (im Lieferumfang enthalten) in eine Wand eingebaut oder auf der Oberfläche montiert werden. Der MH-S80 wird mit einem 1,0 m langen Kabel (kann verlängert werden), einem Montagerahmen und Montageschrauben geliefert. Der MH-S80 wird mit dem RJ-45-Port des MPPT verbunden. Der MH-S80 kann nicht mit externen Geräten anderer verwendet werden.

### **USB-RS485-Kabel**

Das USB-RS485-Kabel wandelt die elektrische RJ45-Schnittstelle in eine Standard-USB-Schnittstelle um, die die Kommunikation zwischen dem MPPT und einem Personal Computer (PC) ermöglicht. Das Kabel kann zum Programmieren benutzerdefinierter Ladesollwerte und zum Protokollieren von Daten in SolarMate verwendet werden. Das Kabel kann nicht mit externen Geräten anderer verwendet werden.

### **BT-02**

Eine modulare Anschlussbox, die dem MPPT-Controller hinzugefügt werden kann. Die Box fungiert als Sender (Nahfeld-Fernbedienung), Benutzer können die mobile App verwenden, um den MPPT über Bluetooth zu steuern. Die Kabelbox kann nicht mit externen Geräten anderer verwendet werden.

### **Cloud-Box-M2**

Eine modulare Anschlussbox, die dem MPPT-Controller hinzugefügt werden kann. Die Box fungiert als Sender (Cloud-Fernbedienung), Benutzer können die mobile APP verwenden, um den MPPT über das Internet zu steuern. Die Kabelbox kann nicht mit externen Geräten anderer verwendet werden.



## 3.0 INSTALLATIONSANLEITUNG

### 3.1 Allgemeine Installationshinweise

- Lesen Sie zuerst den gesamten Installationsabschnitt durch, bevor Sie mit der Installation beginnen.
- Seien Sie sehr vorsichtig, wenn Sie mit Batterien arbeiten. Augenschutz tragen. Halten Sie frisches Wasser bereit, um jeden Kontakt mit Batteriesäure zu waschen und zu reinigen.
- Verwenden Sie isolierte Werkzeuge und legen Sie keine Metallgegenstände in die Nähe der Batterien.



**WARNUNG:** Installieren Sie den MPPT niemals in einem Gehäuse mit belüfteten/gefluteten Batterien. Batteriedämpfe sind brennbar und korrodieren und zerstören die MPPT-Schaltkreise.



**VORSICHT:** Achten Sie bei der Installation des MPPT in einem Gehäuse auf ausreichende Belüftung. Die Installation in einem abgedichteten Gehäuse führt zu Überhitzung, verringertem Stromverbrauch und einer verkürzten **Produktlebensdauer**.

- Nicht an Orten installieren, an denen Wasser in die Steuerung eindringen kann.
- Lockere Stromanschlüsse und/oder korrodierte Kabel können zu Widerstandsverbindungen führen, die die Kabelisolierung schmelzen, umgebende Materialien verbrennen oder sogar einen Brand verursachen. Sorgen Sie für feste Verbindungen und verwenden Sie Kabelklemmen, um Kabel zu sichern und ein Schwingen in mobilen Anwendungen zu verhindern.
- Voreingestellte Ladeprofile sind in der Regel für gängige Akkus ausgelegt. Benutzerdefinierte Einstellungen können für verschiedene Ladeanforderungen verwendet werden (Einzelheiten siehe Abschnitt 4.2).
- Die MPPT-Batterieverbinding kann mit einer Batterie oder einer Batteriebank verdrahtet werden.
- Der MPPT verhindert einen Rückstromverlust in der Nacht, sodass eine Sperrdiode im System nicht erforderlich ist.
- Der MPPT wurde entwickelt, um NUR Solarenergie (Photovoltaik) zu regulieren. Anschluss an jede andere Art von Stromquelle, z. Windkraftanlage oder Generator kann die Garantie erlöschen.



**WARNUNG:** Im System sind Solar- und Batteriesicherungen oder DC-Trennschalter erforderlich. Diese Schutzvorrichtungen befinden sich außerhalb des MPPT-Controllers.




**WARNUNG:** Die Installation muss den Anforderungen des Electrical Code entsprechen. Unterbrecher und Sicherungen erfordern möglicherweise niedrigere Nennwerte als angegeben, um eine bestimmte Drahtstrombelastbarkeit nicht zu überschreiten.

## 3.2 Montage

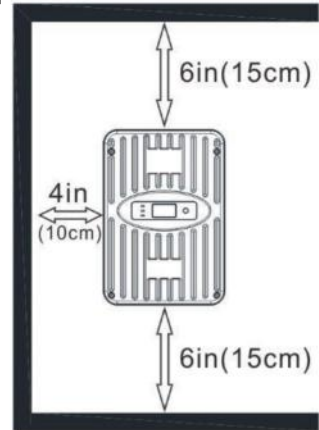
Untersuchen Sie die Steuerung auf Transportschäden. Tun nicht direkt über leicht brennbarem Material installieren Oberfläche, da der Kühlkörper darunter heiß werden kann bestimmte Betriebsbedingungen.

Lassen Sie für einen ordnungsgemäßen Luftstrom mindestens 15 cm (6 Zoll) Luft frei Freiraum über und unter dem Controller und 10 cm (4 Zoll) an den Seiten. Nicht in einem Gehäuse aufstellen wo sich Batteriegase ansammeln können.

 **HINWEIS:** Der Kühlkörper muss vertikal sein Position (Flossen oben und unten).

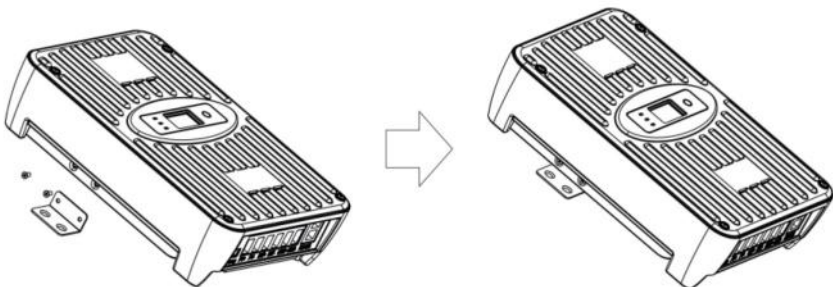
### SCHRITT 1: Überprüfen Sie die Controller-Einschränkungen

Stellen Sie sicher, dass die höchste Temperatur kompensiert wird Die Leerlaufspannung (Voc) und der Laststrom der Solaranlage überschreiten nicht die Nennwerte der installierten MPPT-Version. Mehrere Controller können parallel auf derselben Batteriebank installiert werden, um einen größeren Gesamtlastestrom zu erreichen. Bei dieser Art von System muss jeder MPPT über eine eigene Solaranlage verfügen. Die Lastanschlüsse von mehreren Controller können nur zusammen verdrahtet werden, wenn die Gesamtlastaufnahme den auf dem Typenschild angegebenen Strom des Controllers mit der NIEDRIGSTEN Nennleistung nicht überschreitet.



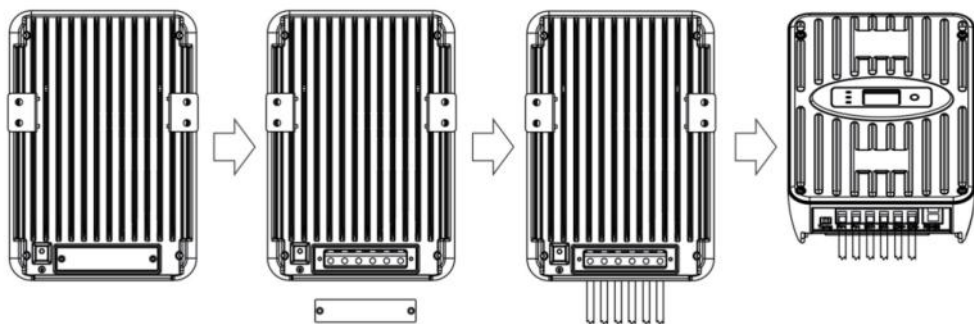
### SCHRITT 2: Befestigen Sie das Installationszubehör

Richten Sie das Installationszubehör an den Befestigungslöchern am Controller aus. Befestigen Sie das Installationszubehör mit M4 (4-M4 EdelstahlSchrauben sind dabei)



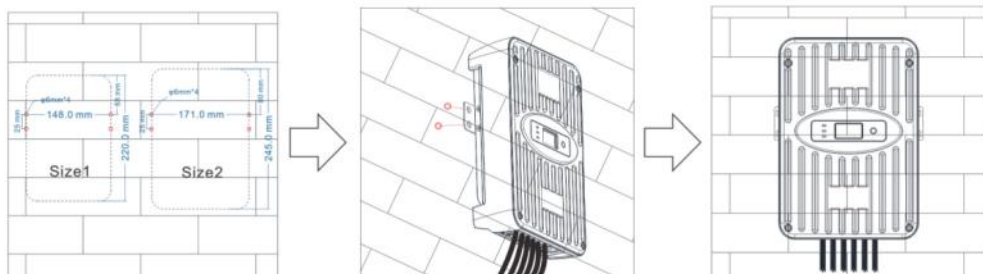
### SCHRITT 3: Eingangs- und Ausgangskabel anschließen

Vor der Verdrahtung ist es notwendig, die Abdeckplatte auf der Rückseite des Controllers zu öffnen, dann gemäß der Kabelreihenfolge zu verdrahten und die Schrauben festzuziehen und die Abdeckplatte nach Bestätigung wieder anzubringen.



#### SCHRITT 4: Bohren Sie Befestigungslöcher in die Wand

Abstand an der Wand messen und markieren, 6mm Löcher bohren und Kunststoffdehnpartikel einsetzen und festziehen.





#### SCHRITT 5: Befestigen Sie den Controller an der Wand

Richten Sie den Controller mit dem Montageloch aus und befestigen Sie den Controller mit M4-Schrauben an der Wand.

#### SCHRITT 6: Einschalten und mit der Arbeit beginnen

Überprüfen Sie, ob das Solarpanel und die Batterie in normalem Zustand sind, und schalten Sie dann in der Reihenfolge zuerst die Batterie und dann das Solarpanel ein.

 **HINWEIS:** Messen Sie vor dem Anschließen der Batterie die Leerlaufspannung. Es muss über 10 Volt liegen, um den Controller zu starten. Wenn die Systemspannung auf Automatische Erkennung eingestellt ist, wird eine Batteriespannung über 18 V als 24-V-Nennbatterie erkannt und das Gerät wird entsprechend aufgeladen. Die automatische 12/24-V-Auswahl erfolgt nur beim Start.

 **Warnung:** Beschädigungsgefahr  
Trennen Sie die Batterie vom MPPT, nachdem der Solareingang so weit wie möglich getrennt wurde. Wenn der Akku während des MPPT-Ladevorgangs entfernt wird, besteht eine gewisse Wahrscheinlichkeit, dass der Controller beschädigt wird. Um Schäden zu vermeiden, muss die Stromversorgung unter den folgenden Bedingungen unterbrochen werden:

## 4.0 BETRIEB

### 4.1 Max-Power-Point-Tracking-Technologie

Leistung ist das Produkt aus Spannung und Strom (Volt x Ampere), es gilt Folgendes\*:

- (1) Leistung in den MPPT = Leistung aus dem MPPT
  - (2) Volt Eingang x Ampere Eingang = Volt Ausgang x Ampere Ausgang
- \* unter Annahme von 100 % Wirkungsgrad, d. h. wenn keine Verluste in Verdrahtung und Wandlung vorhanden wären.

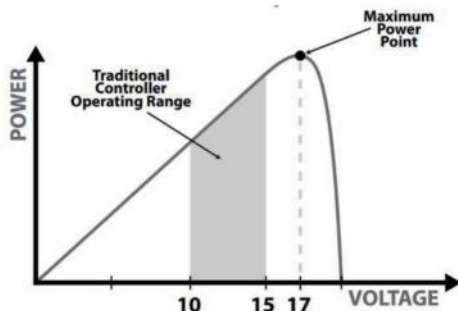
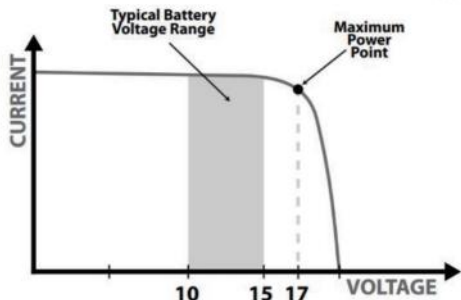
Wenn die  $V_{mp}$  des Solarmoduls größer als die Batteriespannung ist, muss der Batteriestrom proportional größer sein als der Solareingangsstrom, damit Eingangs- und Ausgangsleistung ausgeglichen sind. Je größer die Differenz zwischen der maximalen Leistungsspannung und der Batteriespannung ist, desto größer ist die Stromverstärkung.

Eine höhere Solareingangsspannung führt zu einem niedrigeren Solareingangsstrom für eine gegebene Eingangsleistung. Hochspannungs-Solar-Eingangstränge ermöglichen kleinere Solarkabel. Dies ist besonders hilfreich bei Systemen mit langen Kabelwegen zwischen der Solaranlage und dem MPPT.

Ein Vorteil gegenüber herkömmlichen Controllern Traditionelle Controller verbinden das Solarmodul beim Aufladen direkt mit der Batterie. Dies erfordert, dass das Solarmodul in einem Spannungsbereich betrieben wird, der unterhalb der  $V_{mp}$  des Moduls liegt. In einem 12-V-System kann die Batteriespannung beispielsweise zwischen 10 und 15 VDC liegen, aber die  $V_{mp}$  des Moduls liegt normalerweise bei etwa 17 V. Die folgende Abbildung zeigt einen typischen Strom-Spannungs-Ausgang Kurve für ein nominales 12-V-Ladesystem.

12-Volt-Modulstrom VS. Stromspannung

12-Volt-Modul-Ausgangsleistung



## 4.2 Aufladen des Akkus

---

### Laden von Blei-Säure-Batterien

Der MPPT verfügt über einen 4-stufigen Batterieladealgorithmus für schnelles, effizientes und sicheres Laden der Batterie.

- 1 - CC-Stufe** (Konstantstromladung): Schnellladung
- 2 - CV-Stufe** (Laden mit konstanter Spannung): Absorptionsladen
- 3 - CF-Stufe** (Floating Charging): Schützt den Akku vor langfristiger Überladung. Und den Verlust der Selbstentladung ausgleichen
- 4 - Ausgleichsphase:** Aktivieren Sie die chemische Reaktion der Batterie

### Aufladen von Lithium-Ionen-Akkus

Der MPPT lädt gemäß den Spezifikationen der Lithium-Ionen-Batterie, die hauptsächlich in zwei Stufen unterteilt ist. Erste Stufe, wenn die Batteriespannung kleiner als die Sättigungsspannung ist, wird es schnell aufgeladen, und die zweite Stufe, wenn die Batteriespannung gleich der Sättigungsspannung ist, wird es Ladung aufnehmen.

### Batterieladeeinstellung

---

Ladeparameter der Blei-Säure-Batterie. Alle aufgeführten Spannungseinstellungen gelten für 12-Volt-Nennbatterien. Multiplizieren Sie die Spannungseinstellungen mit zwei (2) für 24-Volt-Batterien.

Batterielade-Sollwerte (@ 25°C): [Spannungen mit (2) für 24-Volt-Systeme multiplizieren]

Schläger Typ	CV (Volt)	CF (Volt)	Ausgleichen (Volt)	Ausgleichen (Protokoll)	Unterspannung Schutz	Unterspannung Wiederherstellung
Gel	14.2	13.8	14.2	30 Brauch	11.1	12.6
Versiegelt	14.4	13.8	14.6	30 Brauch	11.1	12.6
Überschwemmt	14.6	13.8	14.8	30 Brauch	11.1	12.6
Hauptversammlung	14.1	13.7	14.4	30 Brauch	11.1	12.6
Brauch	Brauch	Brauch	Brauch	30 Brauch	Brauch	Brauch

Ladeparameter des Lithium-Ionen-Akkus.

Fledermaustyp	Nominal Stromspannung	Sättigung Stromspannung	Abgeschnitten Stromspannung	Abgeschnitten Wiederherstellung
LiFePO4-4s	12.8	14.4	10.8	12.4

LiFePO4-7s	22.4	25.2	18.9	21.7
LiFePO4-8s	25.6	28.8	21.6	24.8
Ternary-3s	11.1	12.6	9.6	10.5
Ternary-6s	22.2	25.2	19.2	21
Ternary-7s	25.9	29.4	22.4	24.5
Brauch	Brauch	Brauch	Brauch	Brauch



**HINWEIS:** Diese Einstellungen sind allgemeine Richtlinien für die Verwendung beim Bediener Diskretion. Der MPPT kann so eingestellt werden, dass er einem breiten Ladebereich gerecht wird Parameter. Wenden Sie sich für optimale Batterieladeeinstellungen an den Batteriehersteller.

### 4.3 Ladekontrollinformationen

Der Hauptzweck der Laststeuerungsfunktion besteht darin, Systemlasten zu trennen, wenn sich die Batterie auf einen niedrigen Ladezustand entladen hat, und Systemlasten wieder anzuschließen, wenn die Batterie ausreichend aufgeladen ist. Systemlasten können Lichter, Gleichstromgeräte oder andere elektronische Geräte sein. Die Gesamtstromaufnahme aller Verbraucher darf nicht die maximale Nennlast von MPPT 20 oder 30 A überschreiten.



**VORSICHT: Geräteschaden**

Schließen Sie keinen AC-Wechselrichter an die Lastanschlüsse des MPPT an. Schäden am Laststeuerkreis können die Folge sein. An die Batterie sollte ein Wechselrichter angeschlossen werden. Wenn die Möglichkeit besteht, dass eine andere Last manchmal die maximalen Spannungs- oder Stromgrenzen überschreitet, sollte das Gerät direkt an die Batterie oder Batteriebank angeschlossen werden.

**Allgemeine Hinweise zur Ladungssicherung:**

Verdrahten Sie nicht mehrere MPPT-Lastausgänge parallel, um DC-Lasten mit einer Stromaufnahme von mehr als 20 oder 30 A zu versorgen, je nach verwendetem MPPT-Modell.

Eine gleichmäßige Stromaufteilung kann nicht gewährleistet werden, und an einem oder mehreren Controllern tritt wahrscheinlich eine Überlastung auf.

Seien Sie vorsichtig, wenn Sie Lasten mit bestimmter Polarität an einen stromführenden Lastkreis anschließen. Ein Anschluss mit umgekehrter Polarität kann die Last beschädigen. Überprüfen Sie immer die Lastanschlüsse, bevor Sie Strom anlegen. Der Lastausgangsspannungsbereich ist derselbe wie beim Batteriepack. Wenn beispielsweise die Batteriespannung 25,2 V beträgt, beträgt die Ausgangsspannung der sofortigen Last ebenfalls 25,2 V.

Es kann den Lastausgang kontinuierlich mit Strom versorgen, wenn der Lastausgangsstrom innerhalb des Nennbereichs liegt.

Wenn der Arbeitsstrom des Lastausgangs 5 Minuten lang 100 % bis 120 % des Nennstroms beträgt, wird der Lastausgang ausgeschaltet.

Sobald der Arbeitsstrom des Lastausgangs über 120 % des Nennstroms liegt, wird der Lastausgang sofort ausgeschaltet



**HINWEIS:** Um den Lastausgang neu zu starten, sollte der Benutzer den Lasttyp manuell über Controller/APP/Messgerät/PC auf „ON“ oder andere einstellen.

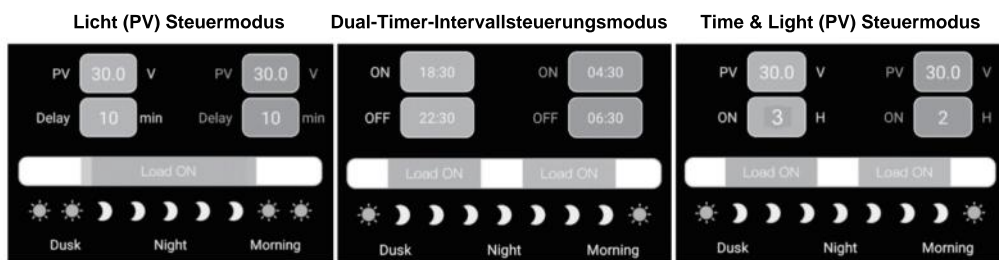
### Ladesteuerungsmodi:

1 – EIN/AUS-Modus: Der Ein- oder Aus-Zustand.

2 – Licht (PV)-Steuerungsmodus: Ein und aus, je nachdem, ob Sonnenlicht vorhanden ist. Beziehen Sie sich auf das in der Abbildung gezeigte Modell.

3 – Dual-Timer-Intervallsteuerungsmodus: Ein- und Ausschalten durch zwei Timer. Beziehen Sie sich auf das in der Abbildung gezeigte Modell.

4 – Time & Light (PV) Control Mode: An und aus je nach Sonneneinstrahlung in Stunden.



**Hinweis:** Am Controller kann nur der EIN/AUS-Modus eingestellt werden, andere müssen über optionales Zubehör eingestellt werden.



**Hinweis:** Der EIN/AUS-Modus kann eingestellt werden, siehe 4.5

## 4.4 LED-Anzeigen

**Grün:** Stellt den Zustand des Lastausgangs dar. Wenn es immer eingeschaltet ist, zeigt es an, dass es sich derzeit im Ein-Modus und Ein-Zustand befindet. Wenn es blinkt, zeigt es an, dass es sich derzeit im Ein-Modus befindet, aber die Ein-Bedingungen nicht erfüllt. Wenn es ausgeschaltet ist, zeigt es den Aus-Modus an.

**Bleu:** Es zeigt den Ladezustand an: Wenn es schnell blinkt, zeigt es den Schnellladezustand (CC) an, wenn es langsam blinkt, zeigt es den Ladezustand mit konstanter Spannung (CV) an, wenn es immer eingeschaltet ist, zeigt es an, dass es in ist Floating Charge State (CF) oder Standby-Modus.

**Rot:** Blinkt bei einem Fehler, kann aber noch laufen. Es ist immer eingeschaltet, wenn der Fehler dazu führt, dass es nicht mehr funktioniert. Wenn es ausgeschaltet ist, zeigt es normal an.





## 5.0 FEHLERBEHEBUNG



### **WARNUNG:** STROMSCHLAGGEFAHR.

KEINE STROM- ODER ZUBEHÖRANSCHLÜSSE SIND ELEKTRISCH VOM DC-EINGANG GETRENNT UND KANN MIT GEFÄHRLICHER SONNENSPIGELUNG VERSORGT WERDEN. UNTER BESTIMMTEN FEHLERBEDINGUNGEN KÖNNTE DIE BATTERIE ÜBERLADEN WERDEN. TESTEN SIE ZWISCHEN ALLEN ANSCHLÜSSEN UND DER MASSE, BEVOR SIE SIE BERÜHREN.



### **WARNUNG:** Stromschlaggefahr

Es ist eine allpolige Trennung der Stromversorgung vorzusehen. Diese Trenner müssen in die Festverdrahtung eingebaut werden. Öffnen Sie alle Stromquellentrenner, bevor Sie die Abdeckung der Steuerungsverkabelung entfernen oder auf die Verkabelung zugreifen.

### **Problem:**

Keine LED-Anzeigen, Controller scheint nicht mit Strom versorgt zu sein

### **Lösung:**

Prüfen Sie mit einem Multimeter die Spannung an den Batterieklemmen des MPPT. Die Batteriespannung muss mindestens 10 VDC betragen. Wenn die Spannung an den Batterieanschlüssen des Controllers zwischen 10 und 35 VDC liegt und keine LEDs leuchten, wenden Sie sich an Ihren autorisierten Händler. Wenn keine Spannung gemessen wird, überprüfen Sie Kabelverbindungen, Sicherungen und Unterbrecher.

### **Problem:**

Der MPPT lädt die Batterie nicht

### **Lösung:**

Überprüfen Sie die Sicherungen, Trennschalter und Kabelverbindungen in der Stromquellenverkabelung. Überprüfen Sie mit einem Multimeter die Array-Spannung direkt an den MPPT-Solareingangsklemmen. Die Eingangsspannung muss größer als die Batteriespannung sein, bevor der Ladevorgang beginnt.

Überprüfen Sie, ob die Batteriespannung im OLED im Bereich der Controller-Systemerkennung liegt.

### **Problem:**

Die Batterie ist zu schwach oder für längere Zeit leer.

### **Lösung:**

Mögliche Gründe: 1. Die Anzahl der Solarmodule ist zu gering, um genügend Energie zu erzeugen, erhöhen Sie die Anzahl der Solarmodule.

2. Die Batteriekapazität ist zu gering, um genügend Energie zu speichern, Batteriekapazität erhöhen.

## Zustandsbeschreibung

---

Anzeige in Oled	Beschreibung
Normaler Lauf	Kein Fehler
HS vorbei	Überhitzung des Kühlkörpers
PV-Niedrig	Niedrige Eingangsspannung
BAT Niedrig	Batterie schwach
BAT vorbei	Batterie vorbei
PV vorbei	Über Eingangsspannung
CHG vorbei	Ladeüberstrom
Rabatt. Über	Überstrom ableiten

## 6.0 TECHNISCHE SPEZIFIKATIONEN

Gemeinsamer negativer MPPT-Controller				
Modell:	NS24L30	NS24L40	NS24H50	NS24H60
<b>Elektrisch:</b>				
Nominale Batteriespannung	12 or 24 Vdc			
Batteriespannungsbereich	9 ~ 30Vdc			
Spannungsgenauigkeit	< +/- 0.2V			
Max. Batteriestrom	30A	40A	50A	60A
Max. PV-Leerlaufspannung	100V		150V	
Nennstrom laden	20A		30A	
Eigenverbrauch	1~2W			
Umwandlungseffizienz (Spitze)	97%			
<b>Mechanisch:</b>				
Abmessungen (Netto)	220x148x64		245x170x69	
Abmessungen (Packung)	275x176x70		300x198x75	
Gewicht (Netto)	1.5kg		2.2kg	
Gewicht (Packung)	1.9kg		2.6kg	
Max.Drahtgröße	25mm <sup>2</sup> / #3 Awg			

<b>Datenkommunikation</b>	
Kommunikationsanschluss	Dual-RJ45
Kommunikationsprotokolle	Privates Protokoll und MODBUS
PC-Software	SolarMate
Meter	MH-M80 / MH-S80
Trockenkontakt-Zugriffsspannung	Über RJ45-Port
<b>Umwelt:</b>	
Umgebungstemperatur Bereich	-30 °C ~ +50 °C
Lagertemperatur	-30 °C ~ +80 °C
Feuchtigkeit	100% n.c.
IP (Eindringenschutz)	IP42

## Schutz

---

Verpolung - Batterie und Array  
 Solarkurzschluss  
 Hohe Kühlkörpertemperatur – Stromminderung  
 Kurzschluss laden  
 Überstrom laden  
 Temperaturgrenze des Kühlkörpers  
 Überspannungs-/Unterspannungsschutz  
 Batterieabwurf

## Drahtgrößentabellen

---

### 2 % Spannungsabfalldiagramme für 75 °C Kupferlitze

1-Wege-Kabelabstand (Fuß), 12-Volt-System									
Drahtstärke (AWG)	60A	55A	50A	45A	40A	35A	30A	25A	20A
2/0*	22.4	24.4	26.9	29.9	33.6	38.4	44.8	53.8	67.2
1/0*	17.7	19.3	21.3	23.6	26.6	30.4	35.5	42.6	53.2
2	11.2	12.2	13.4	14.9	16.8	19.2	22.4	26.9	33.6
4	7.1	7.7	8.5	9.4	10.6	12.1	14.1	17.0	21.2
6	4.4	4.8	5.3	5.9	6.6	7.5	8.8	10.6	13.2

8	2.8	3.1	3.4	3.7	4.2	4.8	5.6	6.7	8.4
10	1.7	1.9	2.1	2.3	2.6	3.0	3.5	4.2	5.2
<b>1-Wege-Kabelabstand (Meter), 12-Volt-System</b>									
Drahtstärke (mm <sup>2</sup> )	60A	55A	50A	45A	40A	35A	30A	25A	20A
70*	6.8	7.4	8.2	9.1	10.2	11.7	13.7	16.4	20.5
50*	5.4	5.9	6.5	7.2	8.1	9.3	10.8	13.0	16.2
35*	3.4	3.7	4.1	4.5	5.1	5.8	6.8	8.2	10.2
25	2.1	2.3	2.6	2.9	3.2	3.7	4.3	5.2	6.4
16	1.3	1.5	1.6	1.8	2.0	2.3	2.7	3.2	4.0
10	0.8	0.9	1.0	1.1	1.3	1.5	1.7	2.0	2.5
6	0.5	0.6	0.6	0.8	0.8	0.9	1.1	1.3	1.6

Maximale 1-Wege-Drahtlänge für 12-Volt-Systeme, verseiltes Kupfer, 2 % Spannungsabfall

### 2 % Spannungsabfalldiagramme für 75 °C Massivkupferdraht

<b>1-Wege-Kabelabstand (Fuß), 12-Volt-System</b>									
Drahtstärke (AWG)	60A	55A	50A	45A	40A	35A	30A	25A	20A
2/0*	27.8	30.3	33.4	37.1	41.7	47.7	55.6	66.7	83.4
1/0*	22.1	24.1	26.5	29.4	33.1	37.8	44.1	53.0	66.2
2	13.9	15.1	16.6	18.5	20.8	23.8	27.7	33.3	41.6
4	8.7	9.5	10.5	11.6	13.1	15.0	17.5	21.0	26.2
6	5.5	6.0	6.6	7.3	8.2	9.4	10.9	13.1	16.4
8	3.5	3.8	4.2	4.6	5.2	5.9	6.9	8.3	10.4
10	2.2	2.4	2.6	2.9	3.3	3.8	4.4	5.3	6.6
<b>1-Wege-Kabelabstand (Meter), 12-Volt-System</b>									
Drahtstärke (mm <sup>2</sup> )	60A	55A	50A	45A	40A	35A	30A	25A	20A
70*	8.5	9.2	10.2	11.3	12.7	14.5	16.9	20.3	25.4
50*	6.7	7.3	8.1	9.0	10.1	11.5	13.4	16.1	20.2
35*	4.2	4.6	5.1	5.6	6.3	7.2	8.5	10.1	12.7
25	2.7	2.9	3.2	3.5	4.0	4.6	5.3	6.4	8.0
16	1.7	1.8	2.0	2.2	2.5	2.9	3.3	4.0	5.0
10	1.1	1.1	1.3	1.4	1.6	1.8	2.1	2.5	3.2
6	0.7	0.7	0.8	0.9	1.0	1.1	1.3	1.6	2.0

Maximale 1-Wege-Drahtlänge für 12-Volt-Systeme, Massivkupfer, 2 % Spannungsabfall



**Hinweis:** \*Drähte größer als 4 AWG (25 mm<sup>2</sup>) müssen an einem Spleißblock abgeschlossen werden

außerhalb des MPPT. Verwenden Sie 4 AWG (25 mm<sup>2</sup>) oder kleinere Kabel, um den MPPT mit dem Spleißblock zu verbinden.

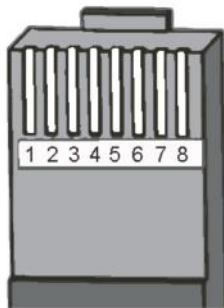


• Die angegebene Kabellänge gilt für ein Leiterpaar von der Solar- oder Batteriequelle zum Controller (1-Wege-Entfernung)

• Multiplizieren Sie für 24-Volt-Systeme die 1-Wege-Länge in der Tabelle mit 2.

## RJ45-Portdefinition

PIN	Function
1	RS485-A
2	RS485-B
3	Dry contact
4	Dry contact
5	GND(isolation)
6	GND(isolation)
7	+5V(isolation)
8	+5V(isolation)

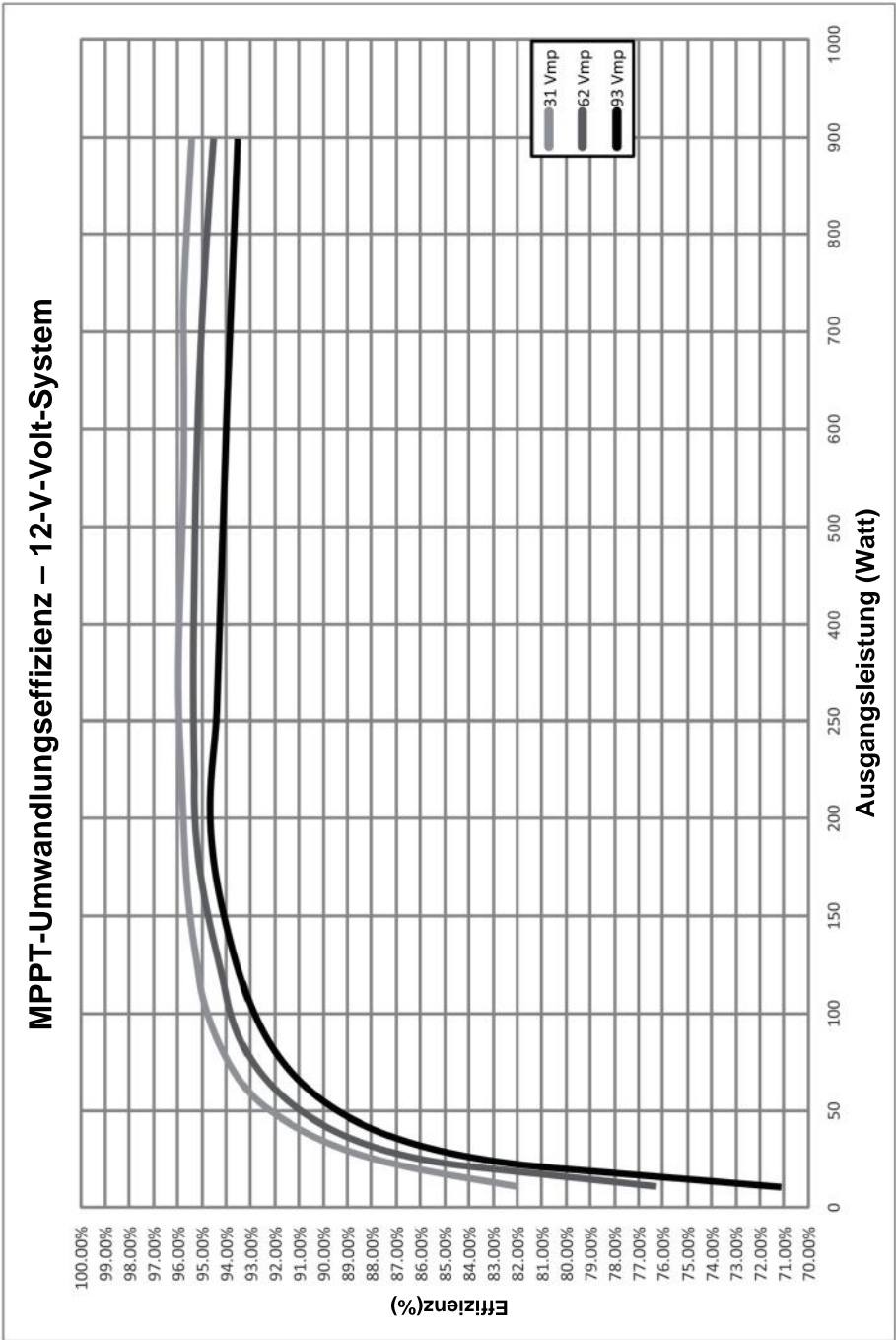


## Serielle Verbindung (String) von Sonnenkollektoren

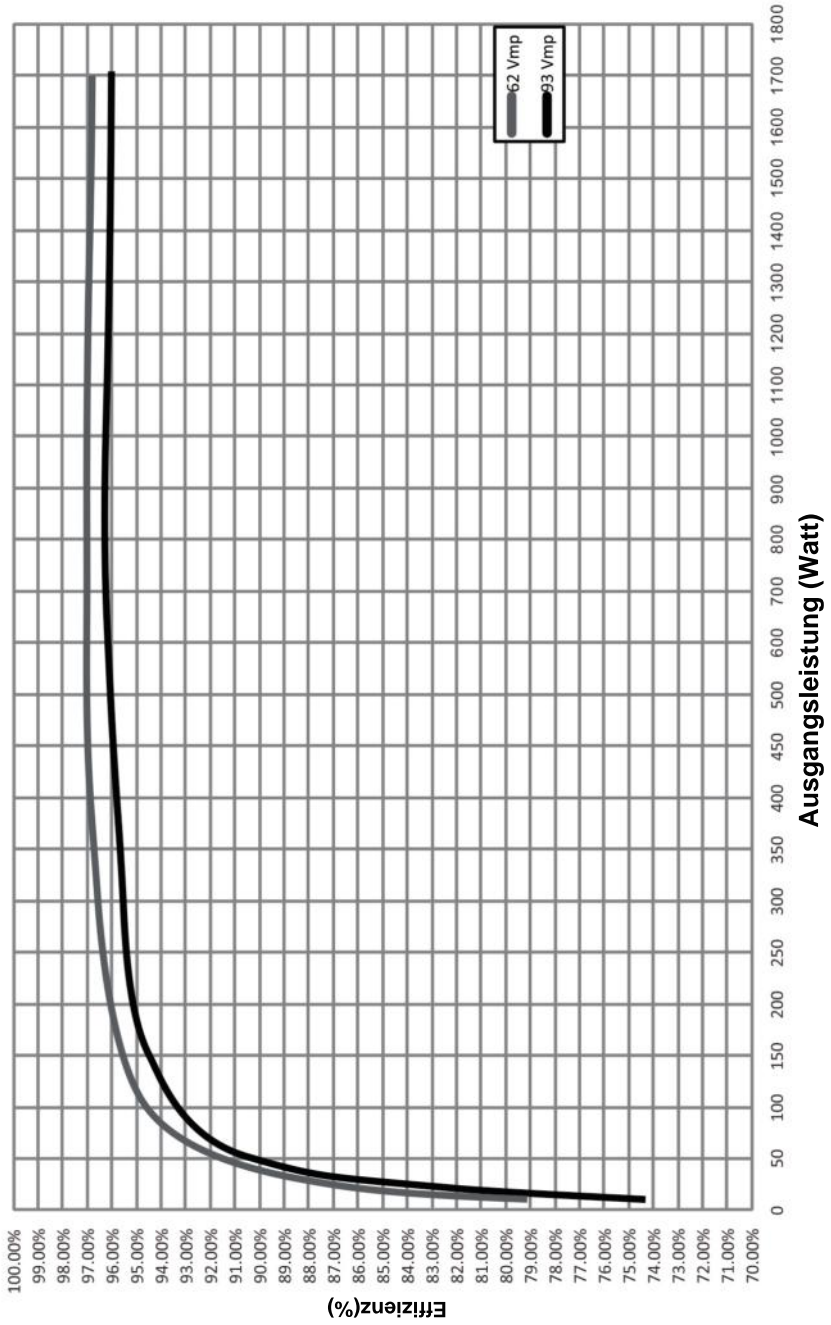
Voc * N = PVininput < 100Vdc												
System Voltage	Voc<23V		Voc<31V		Voc<34V		Voc<38V		Voc<46V		Voc<62V	
	Max.	Best	Max.	Best	Max.	Best	Max.	Best	Max.	Best	Max.	Best
12V	4	2	3	1	2	1	2	1	2	1	1	1
24V	4	3	3	2	2	2	2	2	2	2	1	1
Voc * N = PVininput < 150Vdc												
System Voltage	Voc<23V		Voc<31V		Voc<34V		Voc<38V		Voc<46V		Voc<62V	
	Max.	Best	Max.	Best	Max.	Best	Max.	Best	Max.	Best	Max.	Best
12V	6	2	4	1	4	1	3	1	3	1	2	1
24V	6	3	4	2	4	2	3	2	3	2	2	1



**Hinweis:** Die Tabelle enthält die Anzahl (N) der in Reihe geschalteten Solarmodule, nur als Referenz.



# MPPT-Umwandlungseffizienz – 24-V-Volt-System





**ECO-WORTHY**



Controller für Solarladesysteme

MPPT