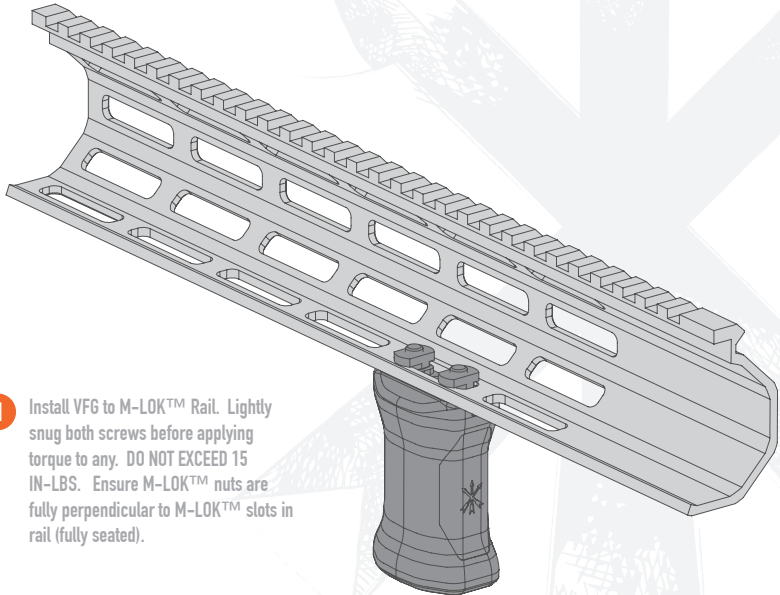


**⚠️ ENSURE FIREARM IS UNLOADED**

**⚠️ WARNING:** Over-torquing fasteners can damage your mount and will not be covered by warranty.



- 1** Install VFG to M-LOK™ Rail. Lightly snug both screws before applying torque to any. **DO NOT EXCEED 15 IN-LBS.** Ensure M-LOK™ nuts are fully perpendicular to M-LOK™ slots in rail (fully seated).