

## BATTERY INFORMATION & WARNING

Before replacing batteries, read the enclosed BATTERY INFORMATION/WARNING insert in your original packaging. For additional battery safety, handling, and product information, visit [www.surefire.com/batteries](http://www.surefire.com/batteries).

## MAINTENANCE

Use a clean, dry cloth to wipe off body and window. Periodically clean and lubricate threads. Apply a thin coat of non-migrating, silicon-based lubricant to O-rings (do not use petroleum-based lubricants which can harm O-rings). For additional tips on maintaining your SureFire illumination tool, visit [www.surefire.com/faqs-maintenance](http://www.surefire.com/faqs-maintenance).

## ACCESSORIES

SureFire makes a full line of accessories for most of its illumination tools. For a complete listing, visit [www.surefire.com/partsaccessories](http://www.surefire.com/partsaccessories).

## THE SUREFIRE NO-HASSLE GUARANTEE

We'll do what it takes to keep your SureFire gear running smoothly. SureFire warrants that if you — our customer — purchase one of our products, and we determine that it is defective in material and/or workmanship during your lifetime, we will repair or replace it — no hassle!

Our warranty does not cover consumables or normal wear-and-tear — things like batteries draining, headbands and headpads wearing out, ink cartridges running out, and switches wearing out — or damage resulting from abuse, alterations, unauthorized repairs, or use contrary to SureFire's user manuals.

Should you need a replacement product, SureFire reserves the right to replace an obsolete product with a current production, like model. In the event that any issue with a SureFire product is not covered under this warranty SureFire can arrange to have the product repaired for a reasonable fee.

## STANDARD DISCLAIMER

Except as specified above or prohibited by applicable law: all express or implied conditions and warranties, including, without limitation, any implied warranty or condition of merchantability or fitness for a particular purpose, or accuracy of any informational content, are hereby excluded and disclaimed by SureFire; and in no event will SureFire be liable for any special, direct, indirect, consequential, incidental or punitive damages howsoever arising and regardless of the theory of liability, even if advised of the possibility of such damages. Products, prices, availability, specifications, and offers are subject to change or cancellation at any time without notice.

## WARRANTY CLAIMS

For claims, contact Customer Service at 714-545-9444 to obtain a Return Merchandise Authorization number (RMA#). Then package the unit carefully and send to (no CODs):

SureFire, LLC.  
Repairs Department, RMA# \_\_\_\_\_  
17680 Newhope Street, Suite B  
Fountain Valley, CA 92708

SureFire will pay any reasonable shipping costs to return the unit to you.



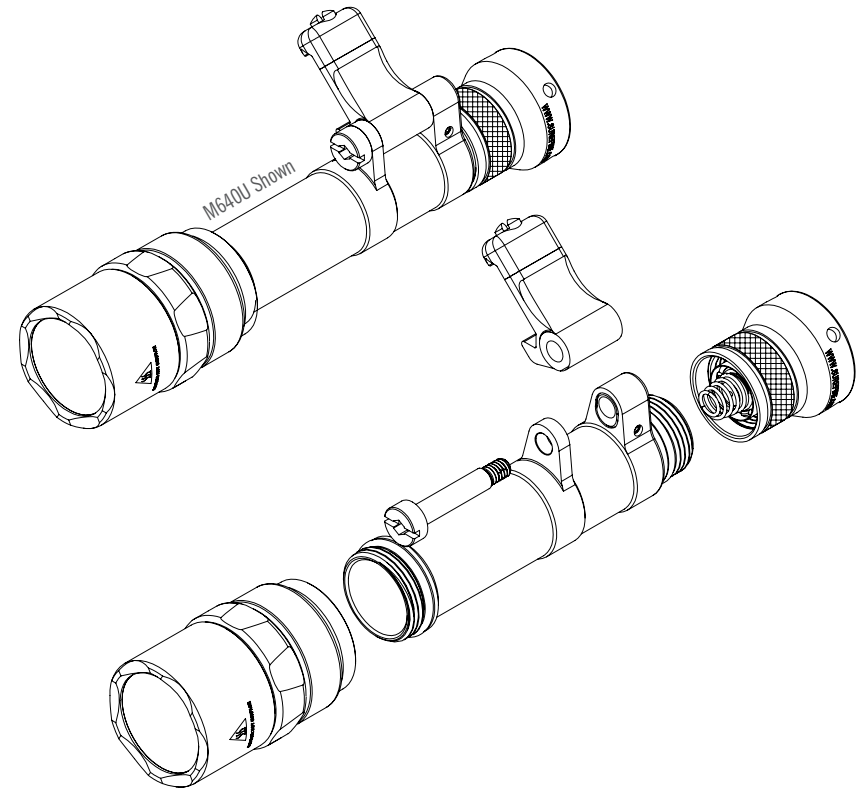
18300 MT. BALDY CIRCLE,  
FOUNTAIN VALLEY, CA 92708-6122  
SUREFIRE.COM

Revision F 12-2022  
71-01-T102



# SCOUT LIGHT® PRO

## USER MANUAL & CONFIGURATOR



SPECS	KE1H	KE2-B	KM1-E	KM2-C	KE2-DF	KF1-A-DFT	KF2-A-DFT
OUTPUT (lumens)	500	1,000	WH: 250 IR: 100 mW	WH: 350 IR: 120 mW	18650: 1,500 123A: 1,200	18350: 650 123A: 350	18650: 700 123A: 600
RUNTIME (hours)	1.0	1.25	WH: 1.5 IR: 6	WH: 2.5 IR: 16.75	18650: 1.5 123A: 1.25	18350: 0.75 123A: 1	18650: 2.75 123A: 1.75
PEAK BEAM INTENSITY (candela)	7,600	11,300	9,300	12,750	18650: 16,000 123A: 12,800	18350: 95,000 123A: 55,000	18650: 100,000 123A: 90,000
DISTANCE (meters)	175	213	190	225	18650: 250 123A: 220	18350: 616 123A: 469	18650: 632 123A: 600
BEZEL DIAMETER	1.125 in (2.9 cm)	1.125 in (2.9 cm)	1.06 in (2.7 cm)	1.06 in (2.7 cm)	1.125 in (2.9 cm)	1.258 in (3.19 cm)	1.258 in (3.19 cm)
CONSTRUCTION	Aluminum						
FINISH	Hard Anodized (MIL-A-8625 Type III, Class 2)						

All performance claims tested to ANSI/PLATO FL 1-2019 Standard.

**⚠ WARNING**

ALWAYS confirm weapon is unloaded and on SAFE before attempting installation.

**MOUNTING TO WEAPON**

**M-MLOK-S:** See Magpul instructions enclosed

**M-1913-S:** Use a flathead screwdriver to tighten or loosen mount screw

**BATTERY INSTALLATION**

1. Remove the LED head by unscrewing it counterclockwise and remove depleted battery(ies)
2. Insert fresh battery(ies) with the positive (+) terminal(s) facing forward toward the head
- WARNING:** Do not mix depleted batteries with new batteries
3. Screw LED head clockwise until hand tight

**LIGHT OPERATION**

**REMOTE TAPE SWITCHES**

**ST07:** Press pressure pad for momentary-on

**SR07:** Press pressure pad for momentary-on; press pushbutton until it clicks for constant-on

**SR07-D-IT:** Press pressure pad with bump to activate Weapon Light; Press pressure pad without bump to activate auxiliary device

**SWITCH HOUSING**

**Z68:** Partially press pushbutton tailcap switch for momentary light. For constant light, fully press pushbutton tailcap switch until it clicks on

**UE:** Requires remote tape switch

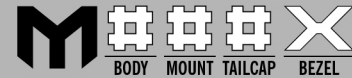
**DS:** Partially press pushbutton tailcap switch or press the pressure tape switch for momentary light. For constant light, fully press pushbutton tailcap switch until it clicks on. Remove plug by rotating and pulling plug outward. When pressure switch is detached, use socket cover to keep dust out

**MULTI-SPECTRUM OUTPUT SELECTION (KM1/KM2)**

Rotate bezel selector ring clockwise to select white-light or counterclockwise to select infrared

**⚠ WARNING**

Use of substandard batteries can cause injury or property damage. Visit [www.surefire.com/batterysafety](http://www.surefire.com/batterysafety).



**EXAMPLE**



\*Not all configurable model numbers may be released as products available for purchase. Go to [www.surefire.com](http://www.surefire.com) to inquire about released models

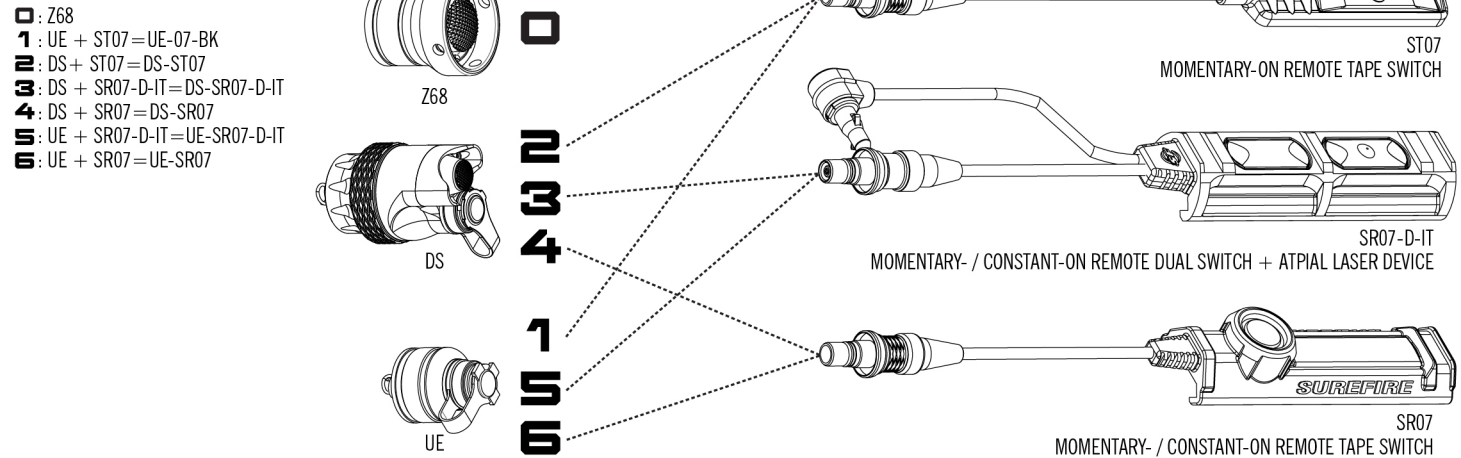
**BODY SELECTION**



**MOUNT SELECTION**



**TAILCAP SELECTION**



**BEZEL SELECTION**

