

FAST™

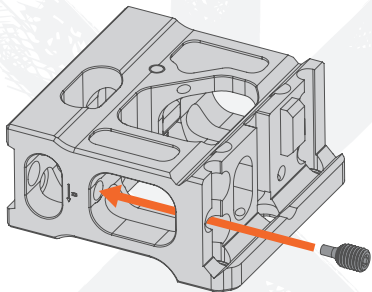
MICRO MOUNT INSTALLATION INSTRUCTIONS



⚠️ ENSURE FIREARM IS UNLOADED

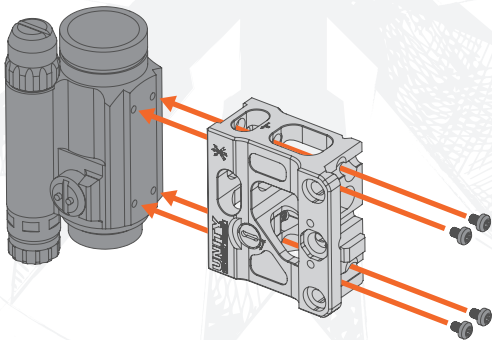
⚠️ **WARNING:** Over-torquing fasteners can damage your mount and will not be covered by warranty.

- 1 If using Front BUIS, thread into place through bottom of FAST Mount so tip of post is generally aligned with Rear BUIS. **DO NOT USE THREAD LOCKER.**



- 2 Remove current mount from optic and set it aside.

- 3 Using supplied mounting screws, install the optic to mount. Tighten the screws in an "X" pattern until they are finger tight. Then give each screw a 1/8 - 1/4 turn with the supplied wrench. **DO NOT EXCEED MANUFACTURER'S RECOMMENDED TORQUE SPEC.**



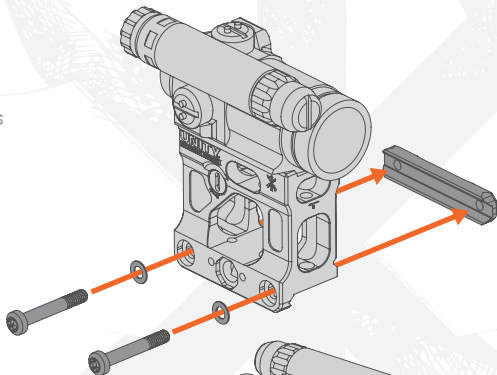
FAST™ INSTALLATION INSTRUCTIONS

MICRO MOUNT



⚠ ENSURE FIREARM IS UNLOADED

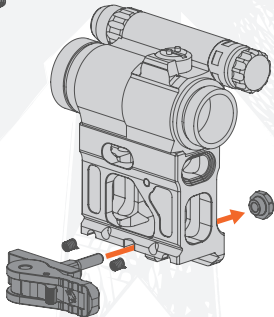
- 4** If using Standard Rail Grabber Mount clamp, install the mount on weapon. Secure screws using a T25 bit driver. Lightly snug all screws before applying final torque to any. TORQUE TO 35 IN-LBS.



- 5** Optional ADM Quick Detach Lever (sold separately) can be installed in place of rail grabber. Installation instructions are included with lever.

Compatible ADM QD Lever Kit with proprietary nut (see reference image) available exclusively from Unity Tactical and their dealers.

USING A STANDARD ADM NUT COULD DAMAGE YOUR MOUNT AND WILL VOID WARRANTY.

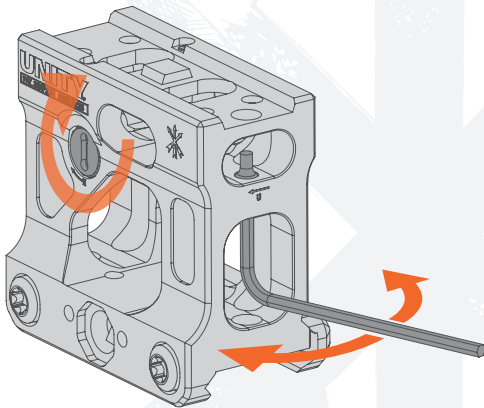


FAST™ INSTALLATION INSTRUCTIONS

MICRO MOUNT



⚠️ ENSURE FIREARM IS UNLOADED



- 5** Windage adjustment of Rear BUIS is 0.5 MOA/click (with a 12.5" Sight Radius). If in conjunction with included Front BUIS, adjustment is 5 MOA/click. Windage adjustment can be made with Aimpoint adjustment tools or flat blade screwdriver.
- 6** Elevation adjustment for Front BUIS is 10 MOA per 1/8" turn (keep in mind this is a 1.27" Sight Radius). So, yeah: Elevation is going to be pretty touchy. This sight is intended as a backup system for weapons that do not have a standard front sight requirement.

⚠️ ATTEMPTING TO DISASSEMBLE OR REMOVE THE REAR SIGHT ASSEMBLY IS NOT COVERED UNDER / WILL VOID WARRANTY.