

AXON™

M-LOK® MOUNTING KIT



CONTENTS



PRODUCT OVERVIEW

The AXON™ M-LOK® Mounting Kit increases functionality of the AXON™ remote switch by expanding the mounting capabilities to the M-LOK® rail. It replaces the rail clamps with an under-mounted spacer plate that provides a low-profile attachment to any M-LOK® rail surface.

One (1) M-LOK® Spacer Plate



One (1) M-LOK® Screw



One (1) M-LOK® Nut





WARNING: ENSURE FIREARM IS UNLOADED

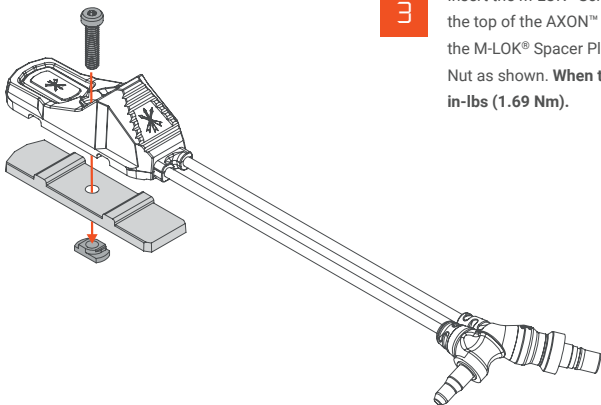


CAUTION: OVER-TORQUING FASTENERS CAN DAMAGE YOUR MOUNT AND WILL NOT BE COVERED BY WARRANTY.



NOTE

The M-LOK® Mounting Kit needs to be installed BEFORE following the separate instructions provided with your AXON™ switch to install it onto your weapon.



1

Remove the screw cover located between the two buttons on your AXON™ Control Module.

2

Align the M-LOK® Spacer Plate to the bottom of your AXON™ Control Module as shown.

3

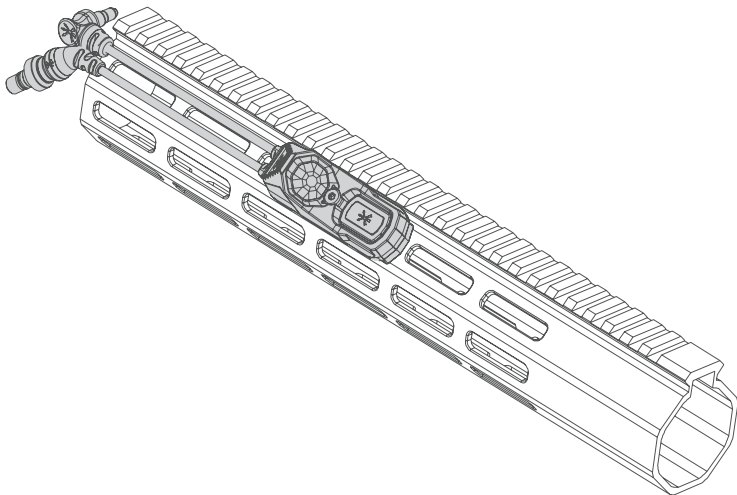
Insert the M-LOK® Screw into the screw hole in the top of the AXON™ Control Module, through the M-LOK® Spacer Plate and into the M-LOK® Nut as shown. **When torquing, do not exceed 15 in-lbs (1.69 Nm).**

4

Place the AXON™ Control Module on the M-LOK® Rail in desired location. Ensure the M-LOK® nut is fully perpendicular to the M-LOK® slot in rail (fully seated).

5

Jump to step 2 on your AXON™ installation instructions to complete installation.



INFO@UNITYTACTICAL.COM

©2023 UNITY Tactical. All Rights Reserved.
Specifications subject to change without notice. PAT: UTIPCO

