

FAST™

FTC 4X



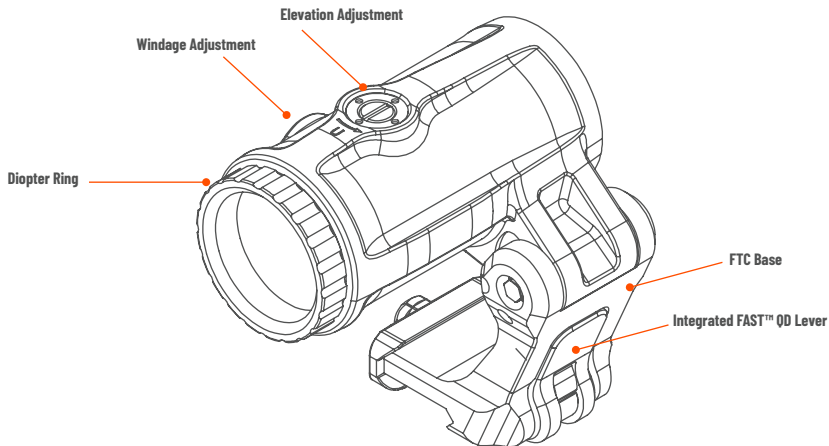
CONTENTS



PRODUCT OVERVIEW

The FAST™ FTC 4X is the first integrated magnifier available on the market, bringing the magnifier up to a 2.26" optical centerline from the rail. Integrating the mount with the optic shaves weight, increases strength and ensures streamlined functionality with near-zero occlusion of the primary optic when stowed.

One (1) Fully Assembled FAST™ FTC 4X



TECHNICAL SPECIFICATIONS

OPTICAL SYSTEM

Magnification

4X

Field of View at 100 Yards

FT: 30.1

M: 9.2

Field of View

5.75°

Exit Pupil Diameter

MM: 5.5

Eye Relief

IN: 2.6

MM: 67

PHYSICAL SPECIFICATIONS

Material

7075-T6 Aluminum

Coating

Type III Hardcoat Anodized

Weight

OZ: <12.0

G: <340.2

Dimensions (L x W x H)

IN: < 2.4 X 1.5 (RAIL COVERAGE) OR 3.5 (OVERALL) X 3.2 (RAISED) OR 2.0 (STOWED)

CM: < 6.1 X 3.8 (RAIL COVERAGE) OR 8.9 (OVERALL) X 8.1 (RAISED) OR 5.1 (STOWED)

MECHANICAL INTERFACE

The FAST™ FTC 4X features an integrated base with FTC (flip-to-center) technology, which shaves weight, increases strength and ensures streamlined functionality with near-zero occlusion of the primary optic when stowed.

Height

2.26" to Optical Centerline

Mechanism

Force-to-Overcome

Rail Mount

Integrated FAST™ QD Lever

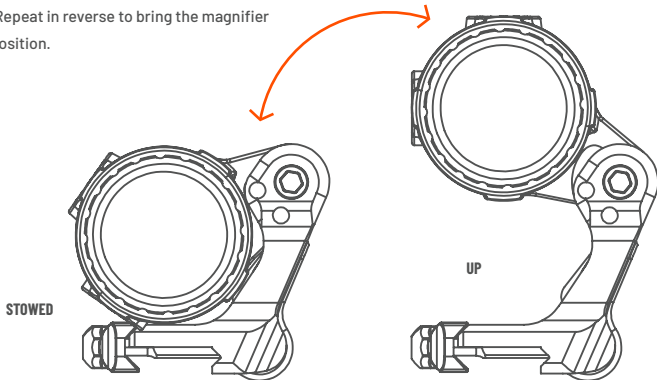
USER INSTRUCTIONS



WARNING: ENSURE FIREARM IS UNLOADED

USING THE FORCE-TO-OVERCOME MECHANISM

The FAST™ FTC 4X uses a force-to-overcome mechanism. Grasp the magnifier body and pivot assembly down to the stowed position. Repeat in reverse to bring the magnifier back into the up position.



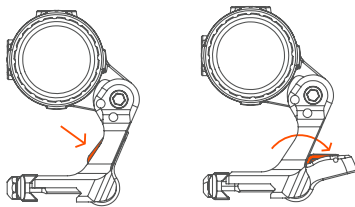
NOTE

Do not adjust the Pivot Bolt or disassemble the mount. Doing so will void the warranty.

INSTALLING THE FAST™ FTC 4X ONTO THE M1913 RAIL

1

Bring the magnifier into the up position. From the inside of the base, press down on the safety on the interior of the integrated FAST™ QD Lever. Push outward and the QD Lever will open fully.

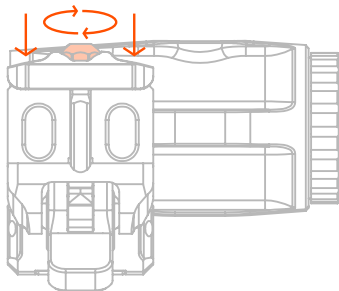


CAUTION:

DO NOT PUSH THE LEVER IF THERE IS RESISTANCE. ENSURE THE SAFETY LATCH IS DEPRESSED FULLY OR THE LEVER WILL NOT OPEN.

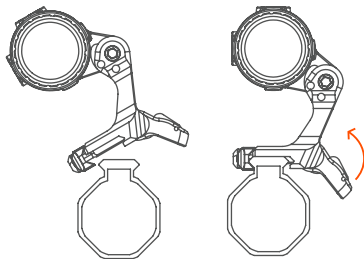
2

To adjust the correct tension of the base onto the M1913 rail, the QD Lever must be in the absolute down/open position. Squeeze the spring tensioned base and rotate the nut clockwise to tension or counter clockwise to loosen.



3

Place the magnifier in the desired location on your M1913 Rail. Ensure you seat the side of the base without the QD Lever first. Pull the QD Lever up into the closed position until you feel it snap.



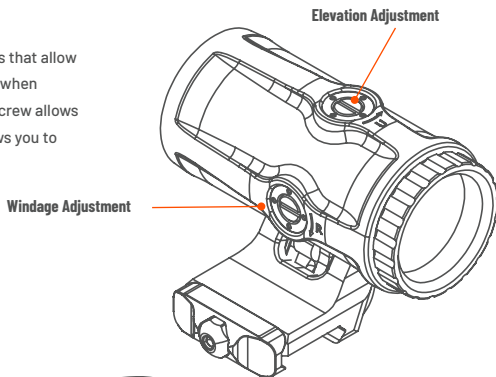
CENTERING

The FAST™ FTC 4X has two adjustment screws that allow the user to center the dot of the red dot sight when viewed through the FAST™ FTC 4X. The side screw allows you to adjust Windage and the top screw allows you to adjust Elevation.



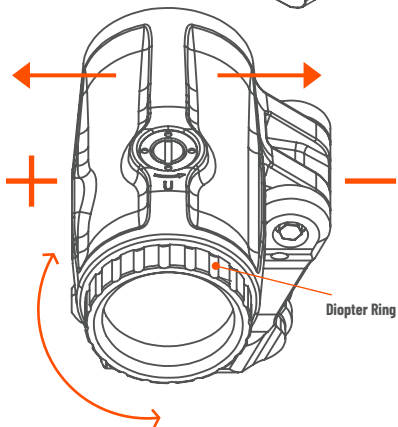
CAUTION:

DO NOT CONTINUE TO ADJUST THE WINDAGE AND ELEVATION SCREWS IF YOU ENCOUNTER RESISTANCE.



DIOPTRER SETTING

Adjust the diopter setting by rotating the diopter ring as shown.



EXTREME CONDITIONS

Use in extreme heat or cold, salt air, sea spray, water, mud and snow, dust and sand storms or high altitudes does not require any special procedures.

STORAGE

The FAST™ FTC 4X meets mil-spec standards and can be used in extreme conditions. Ideally, do not store the FAST™ FTC 4X in extreme heat or cold long-term. Store in the stowed position for better protection.

MAINTENANCE

Brush away all dirt, sand and debris with a soft bristle brush. Wipe the housing and base with a damp cloth to clean. Use the provided lens cloth to clean the glass.



CAUTION:

NEVER CLEAN THE LENSES WITH YOUR FINGERS. USE A LENS CLOTH/PAPER. IF NO LENS CLOTH/PAPER IS AVAILABLE, SIMPLY BLOW AWAY THE DIRT OR FOG UP THE LENSES AND DRY THEM WITH A CLEAN, SOFT PIECE OF CLOTH.



INFO@UNITYTACTICAL.COM

©2024 UNITY Tactical. All Rights Reserved.
Specifications subject to change without notice. PAT: UTIP.CO

