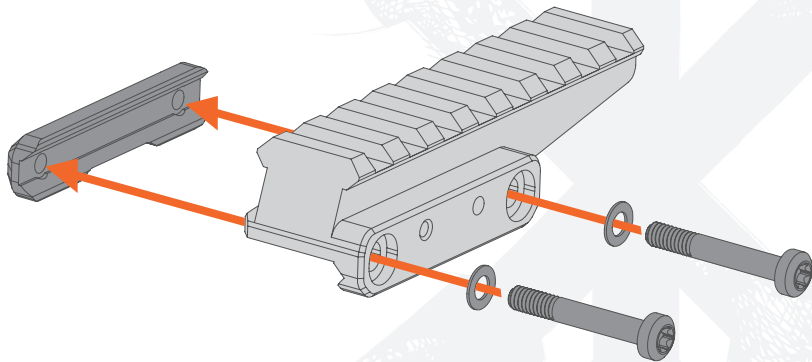


FAST™ OPTIC RISER MOUNT INSTALLATION INSTRUCTIONS



⚠️ ENSURE FIREARM IS UNLOADED

⚠️ **WARNING:** Over-torquing fasteners can damage your mount and will not be covered by warranty.



- 1 Secure screws using a T25 bit driver. Lightly snug all screws before applying final torque to any. DO NOT EXCEED 35 IN.-LBS.

Attach optic of choice to FAST Optic Riser Mount using optic's mounting hardware. FAST Optic Riser is optimized to work with Lower 1/3 Cowitness height sights when used in conjunction with FAST Magnifier Mounts. But Absolute Cowitness height sights will work with a very slight sight picture obstruction when magnifier is stowed.