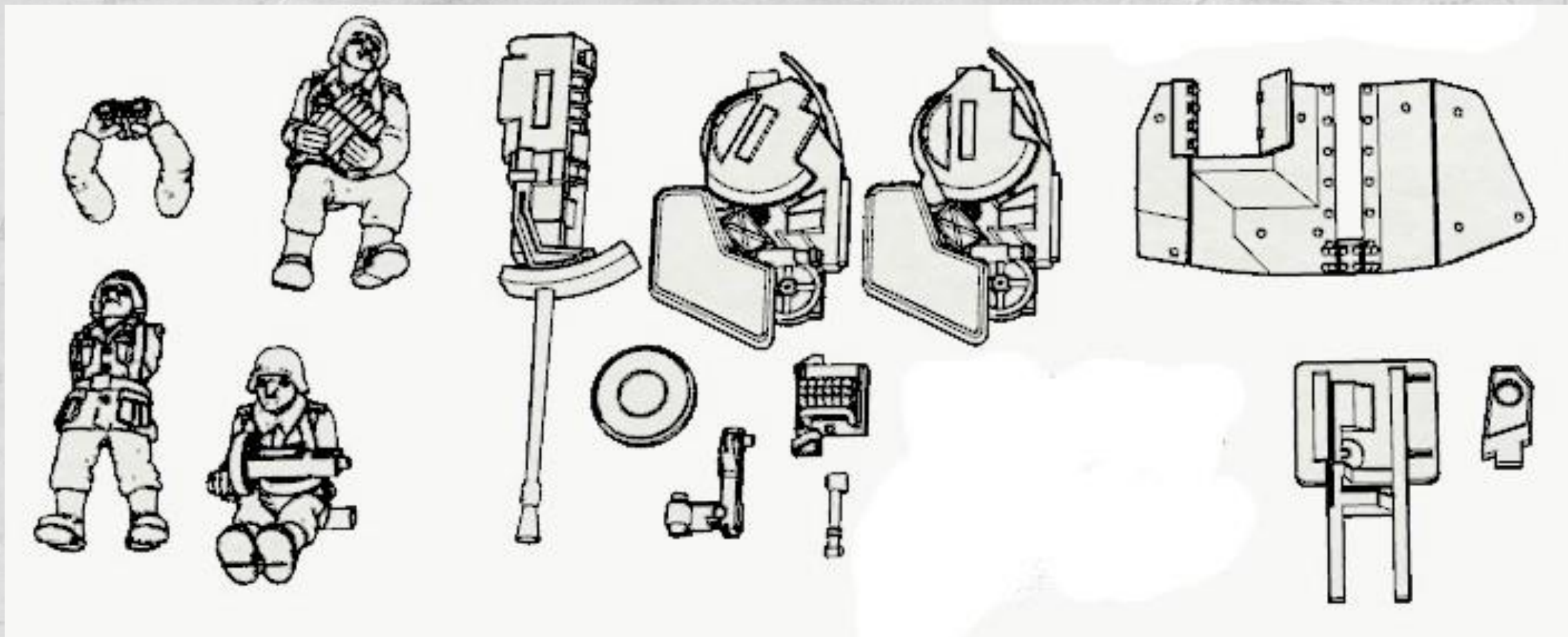


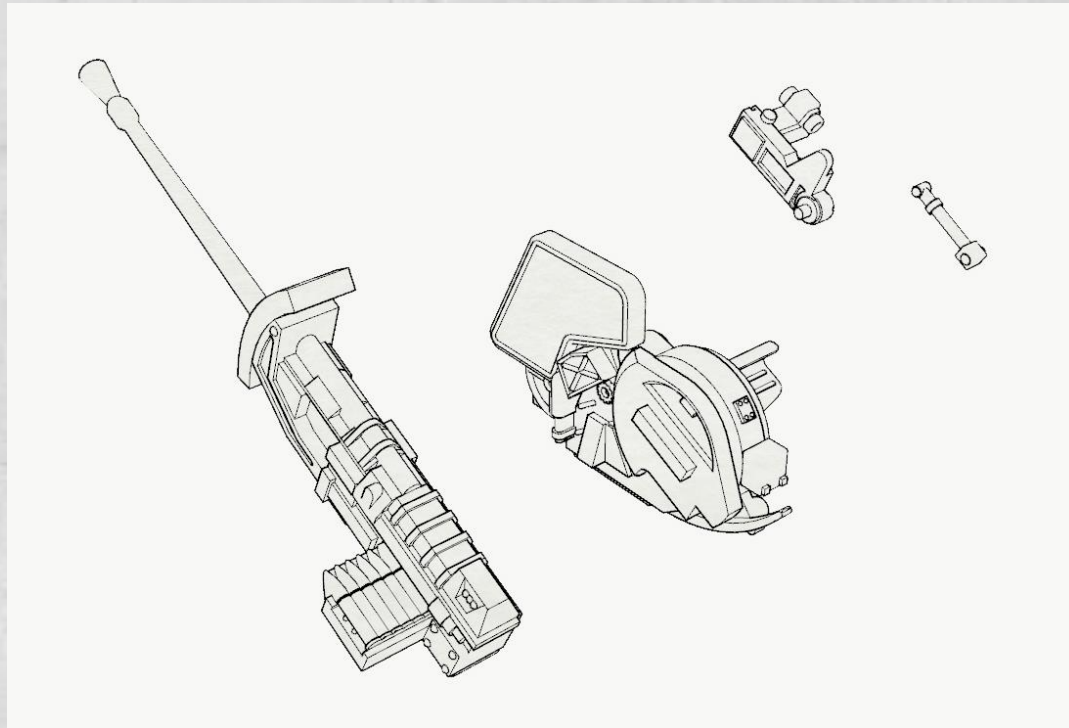
3.7cm Flak 43 (TW-20419)
Assembly Instructions



3.7cm Flak 43 (TW-20419)
Assembly Instructions

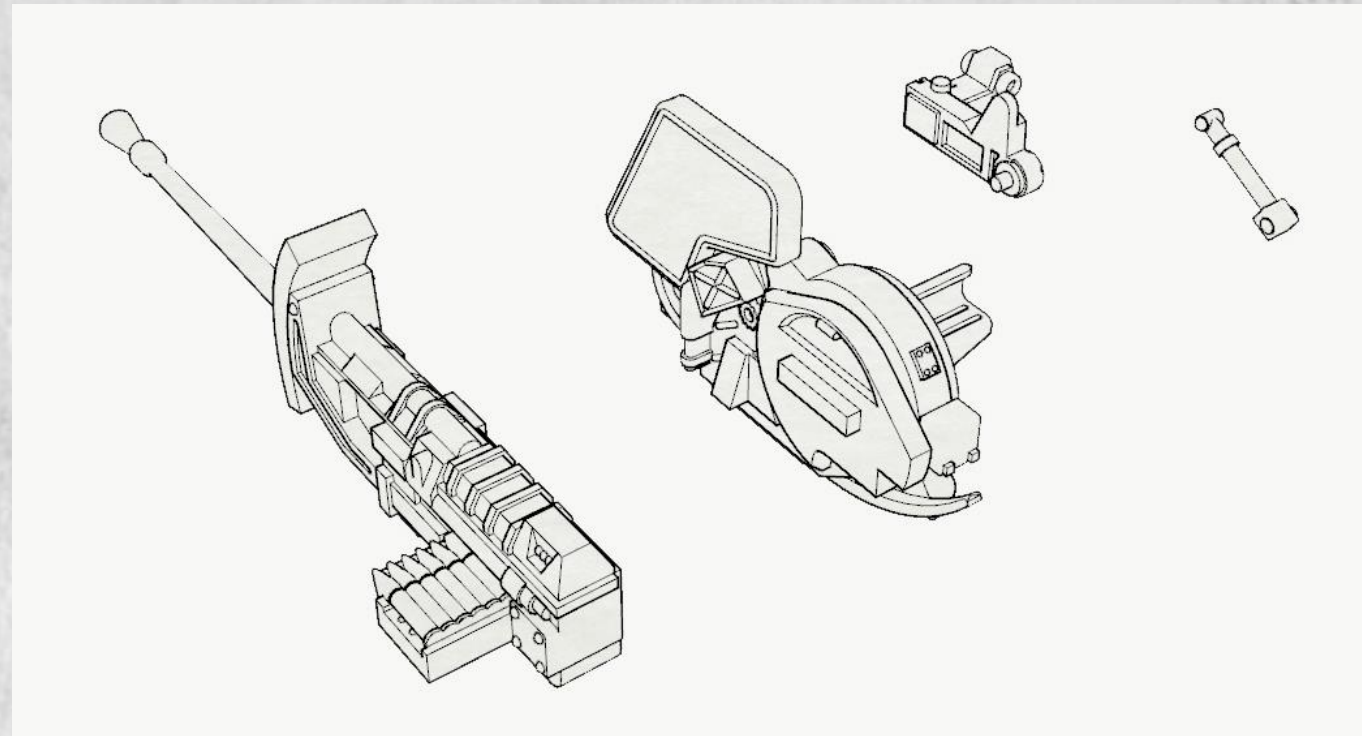
For Aerial Targets

NOTE!!! Works for
Any Armor Configuration



For Ground Targets

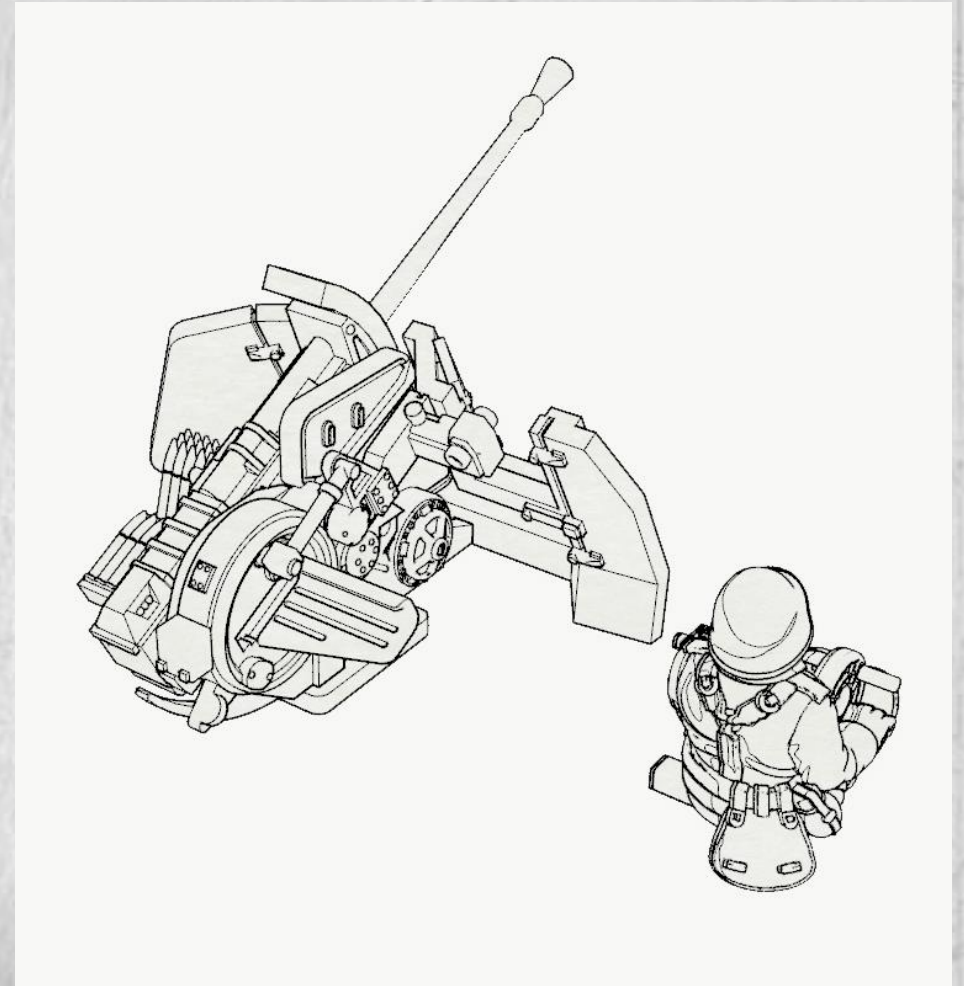
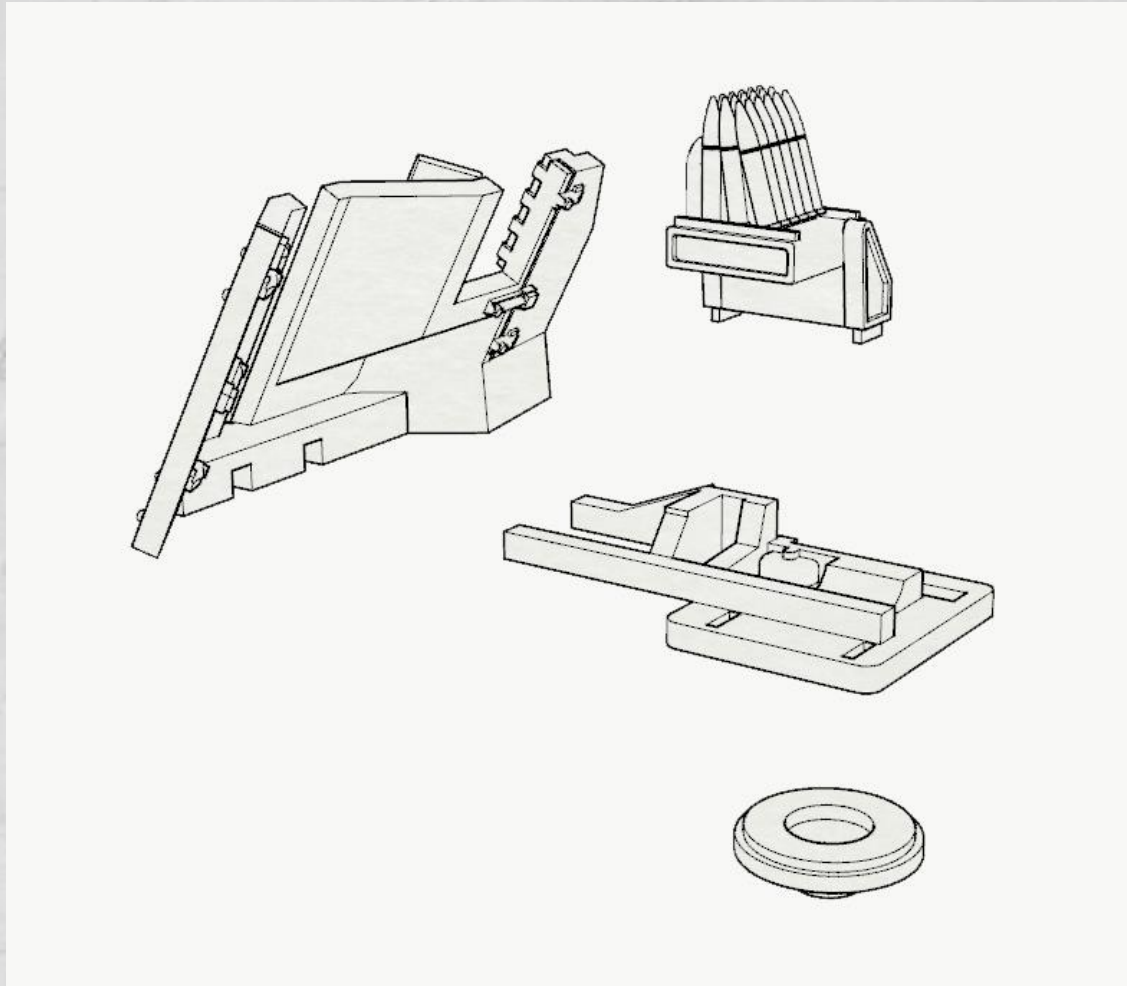
NOTE!!! ONLY FOR FULLY OPEN
ARMOR IN DOWN CONFIGURATION



We recommend you sand the connecting points
before gluing the parts in place. This will
make for a stronger bond.

Trench Worx

3.7cm Flak 43 (TW-20419)
Assembly Instructions



We recommend you sand the connecting points before gluing the parts in place. This will make for a stronger bond.

Trench Worx