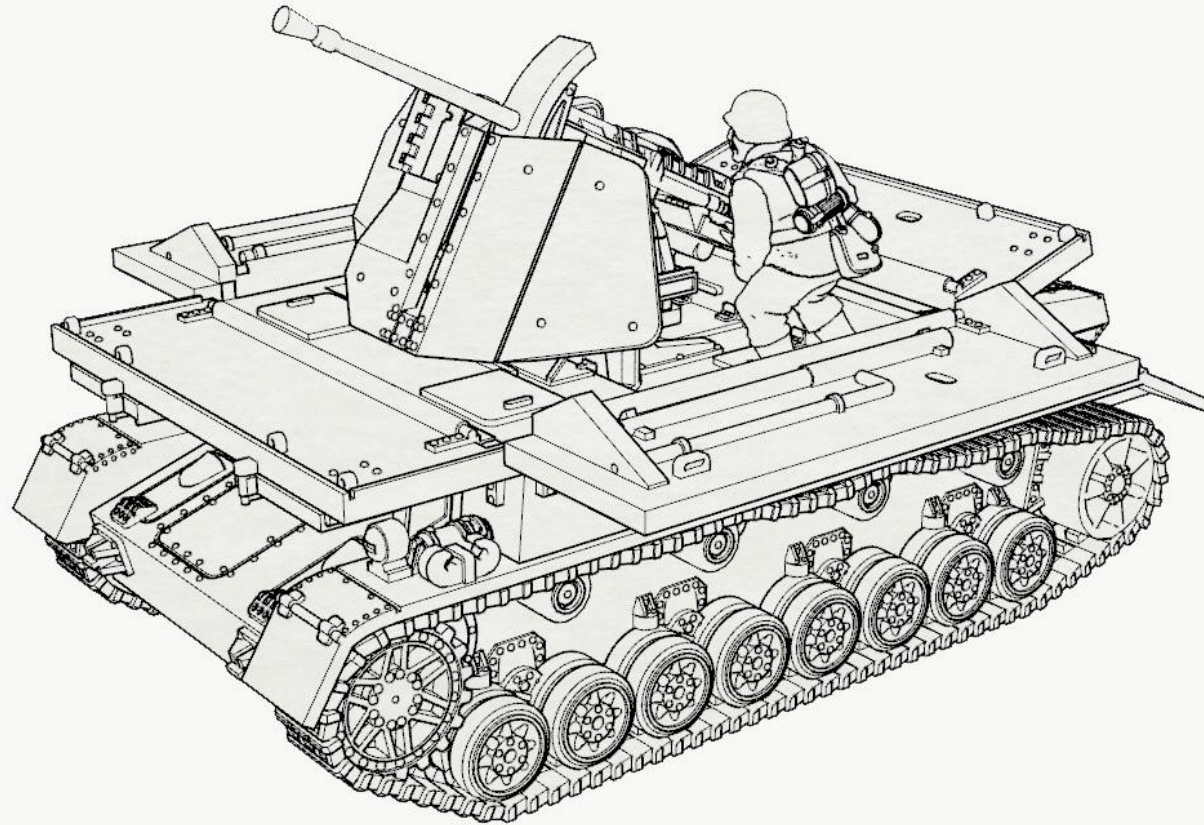
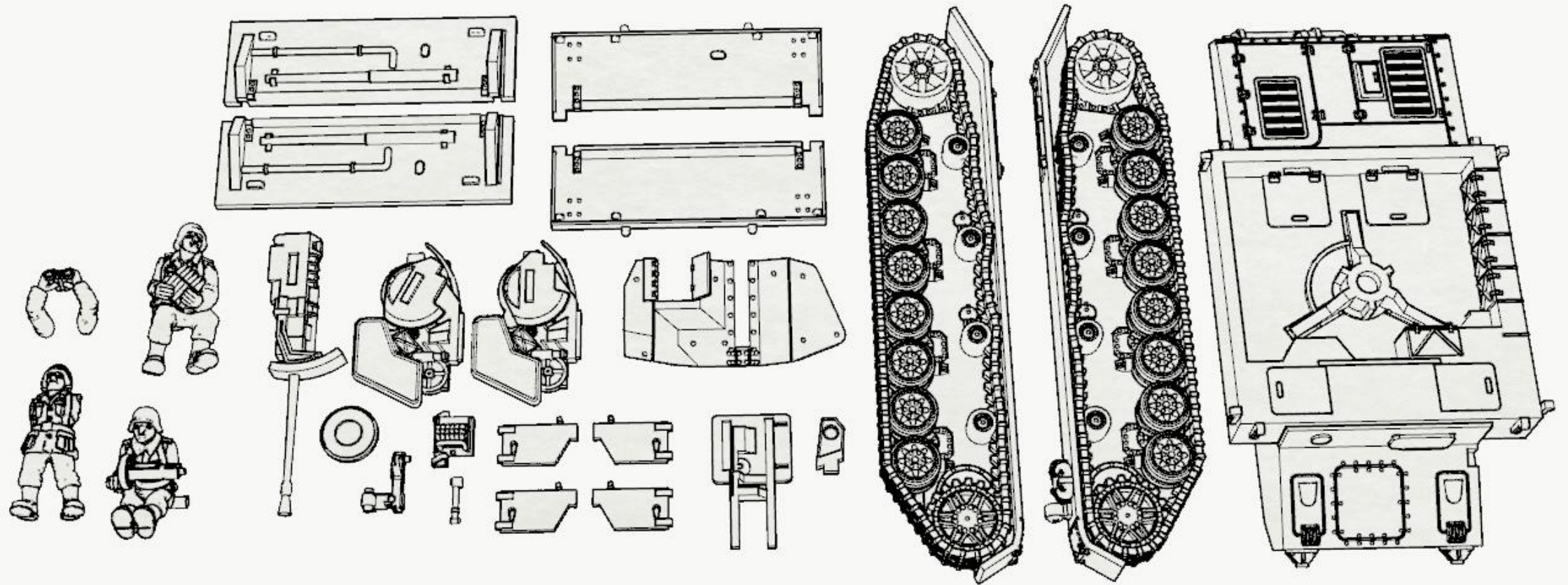


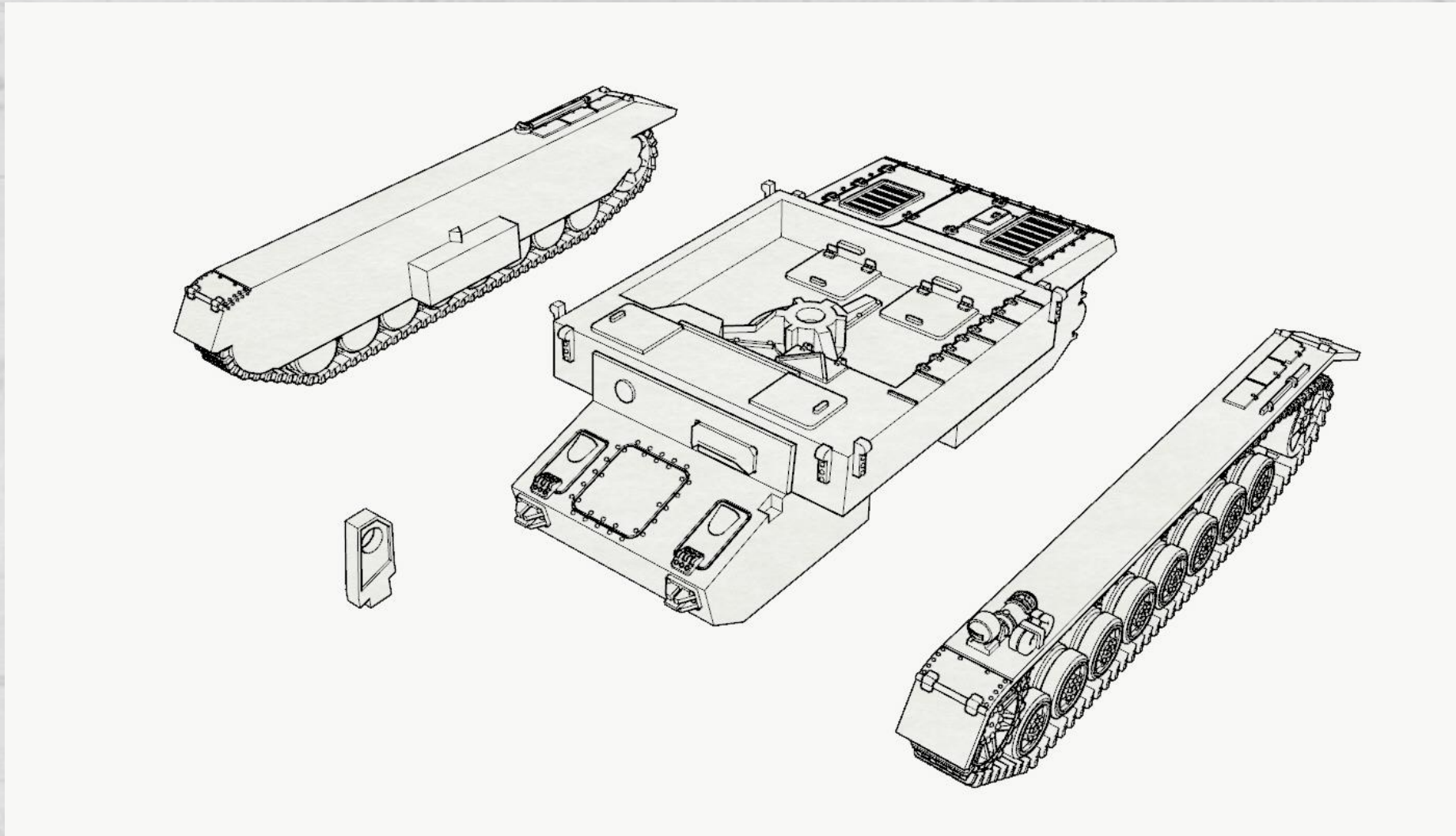
Möbelwagen (TW-20416)
Assembly Instructions



Möbelwagen (TW-20416)
Assembly Instructions



Möbelwagen (TW-20416)
Assembly Instructions



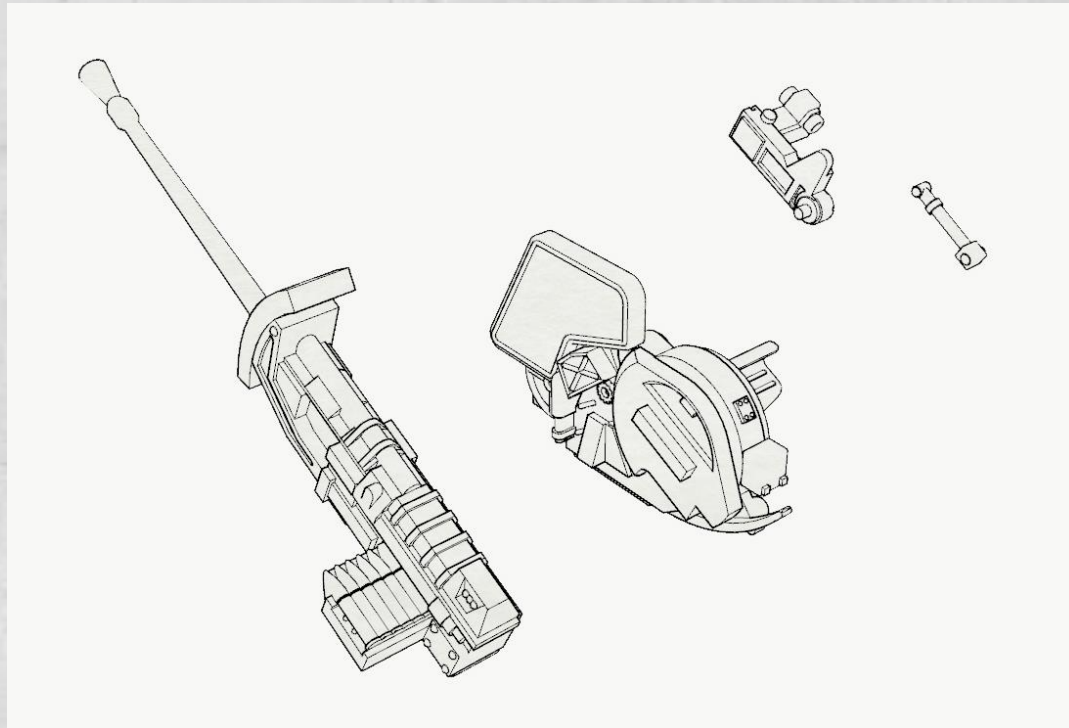
We recommend you sand the connecting points before gluing the parts in place. This will make for a stronger bond.

Trench Worx

Möbelwagen (TW-20416)
Assembly Instructions

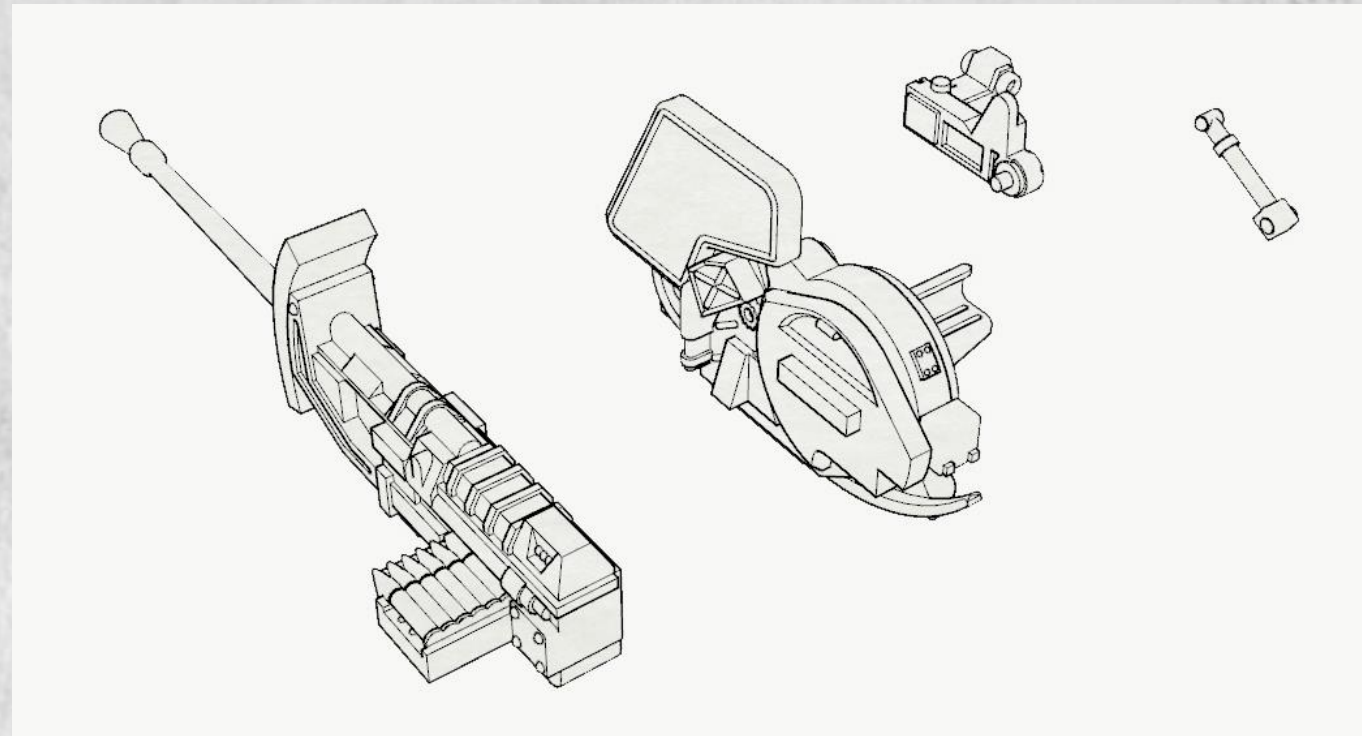
For Aerial Targets

NOTE!!! Works for
Any Armor Configuration



For Ground Targets

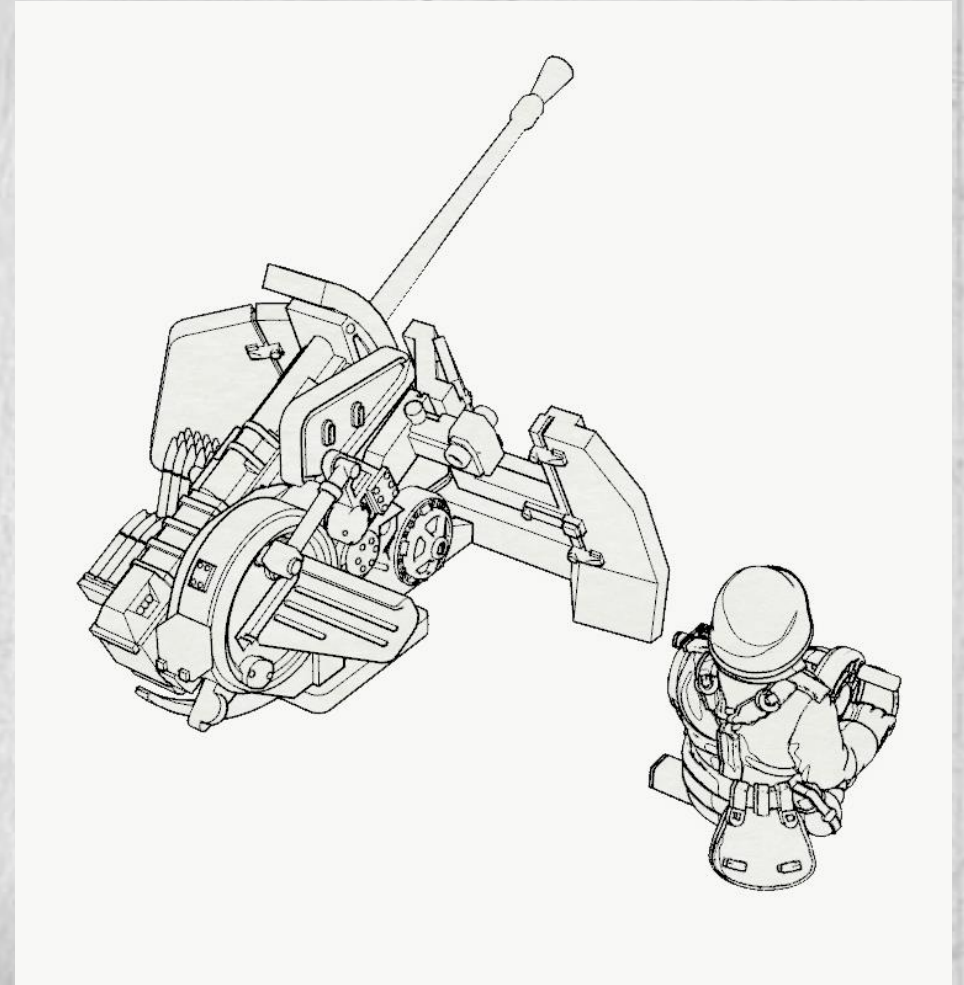
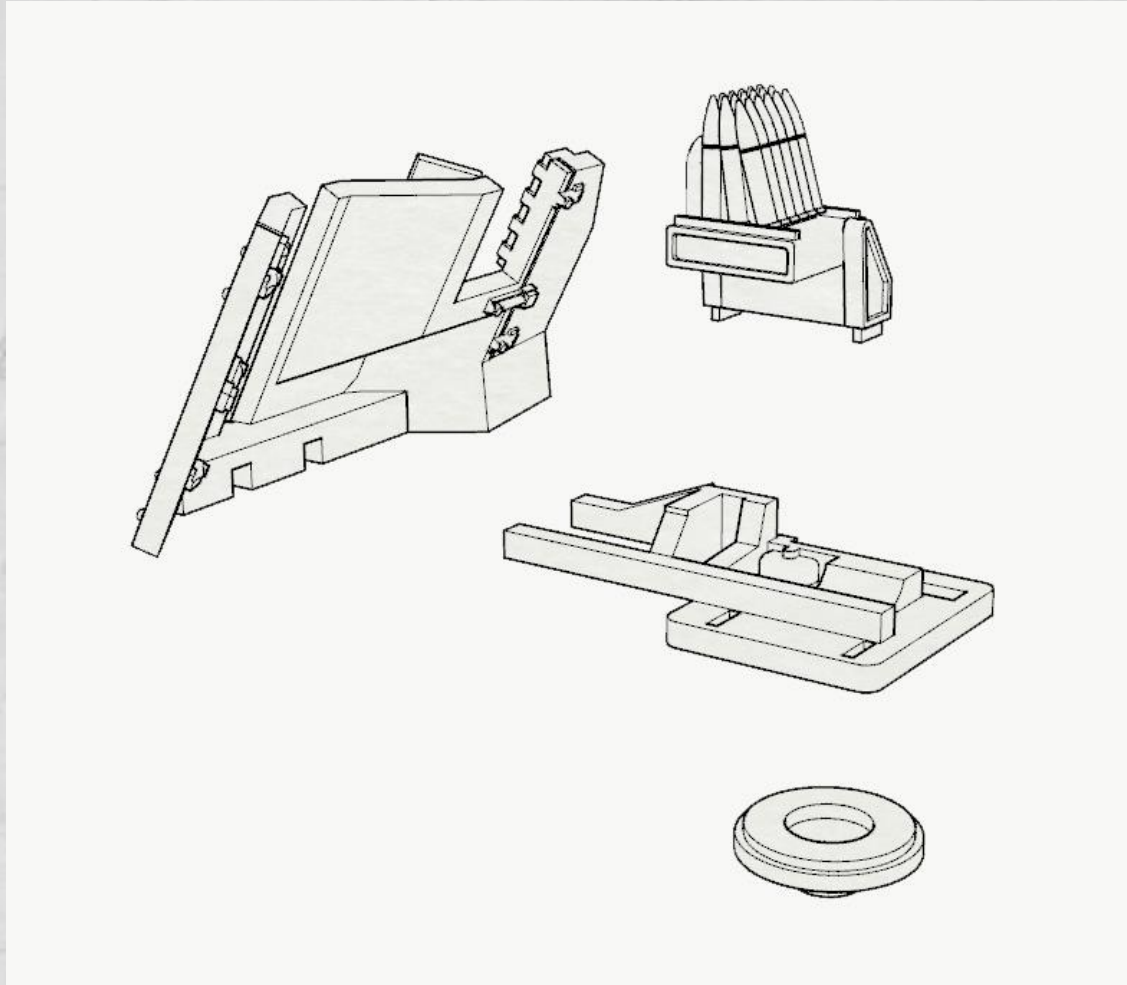
NOTE!!! ONLY FOR FULLY OPEN
ARMOR IN DOWN CONFIGURATION



We recommend you sand the connecting points
before gluing the parts in place. This will
make for a stronger bond.

Trench Worx

Möbelwagen (TW-20416)
Assembly Instructions



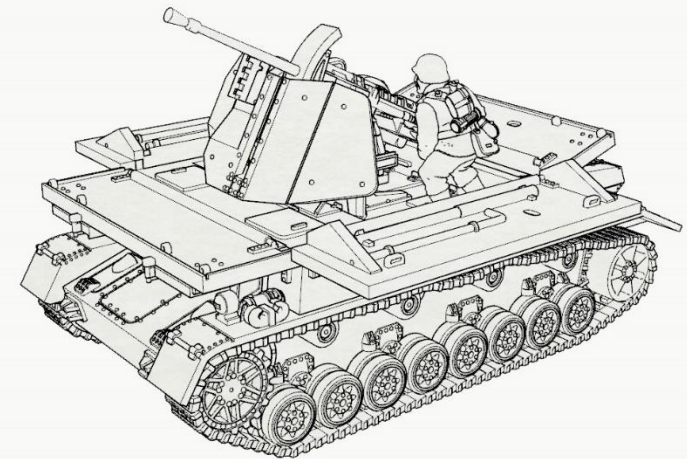
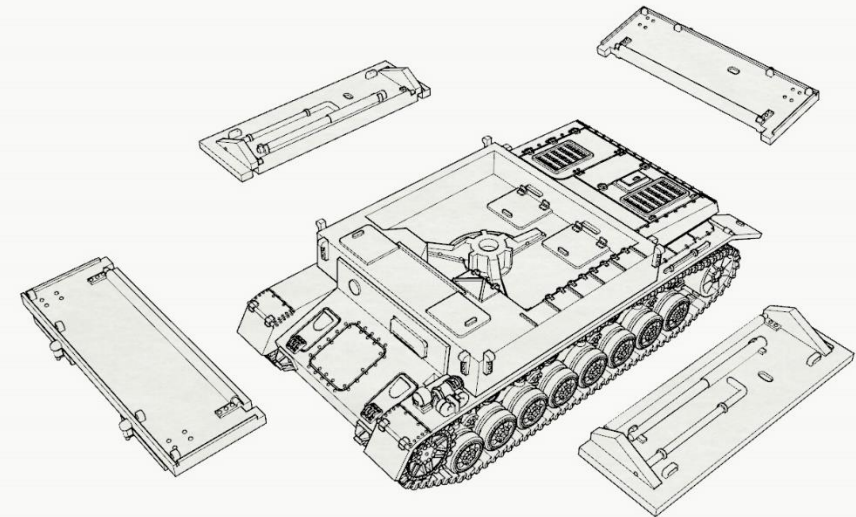
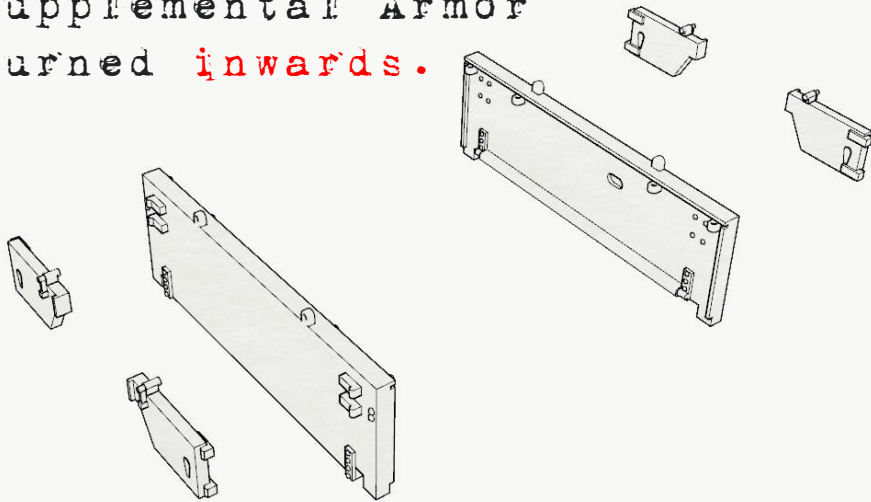
We recommend you sand the connecting points before gluing the parts in place. This will make for a stronger bond.

Trench Worx

Möbelwagen (TW-20416)
Assembly Instructions

Operational Configuration:
Armor in Down Position
Gun Could Rotate 360* for
Aerial or Ground Targets

Supplemental Armor
Turned **inwards**.



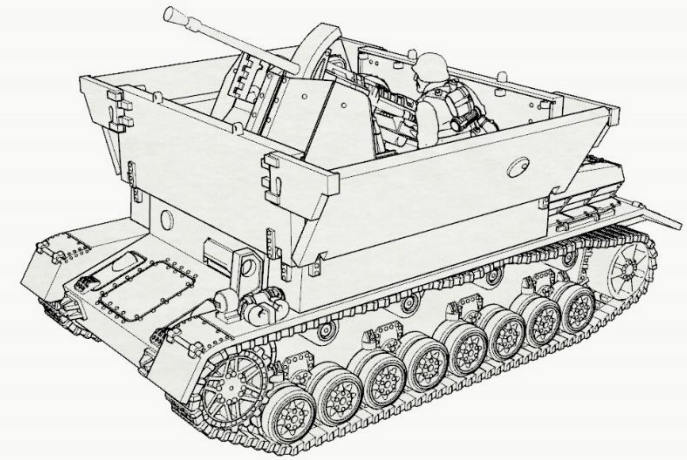
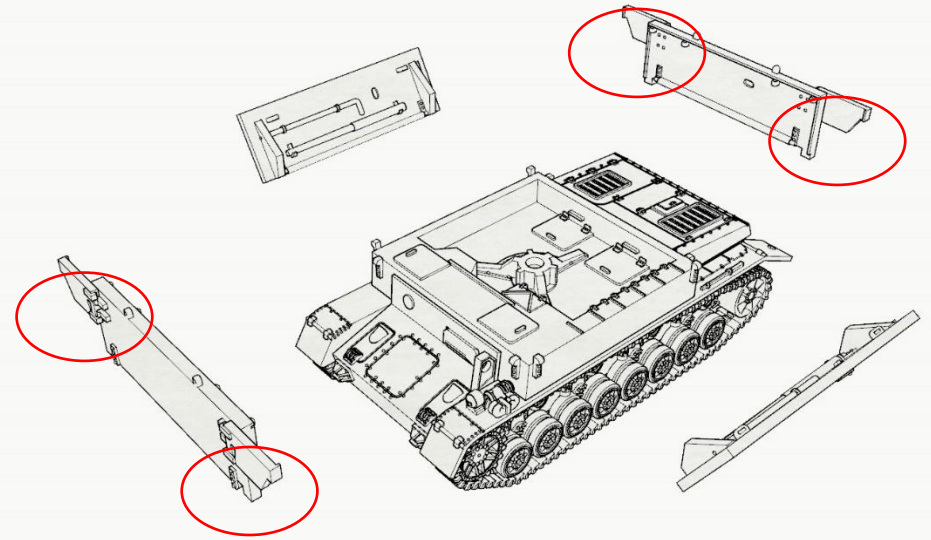
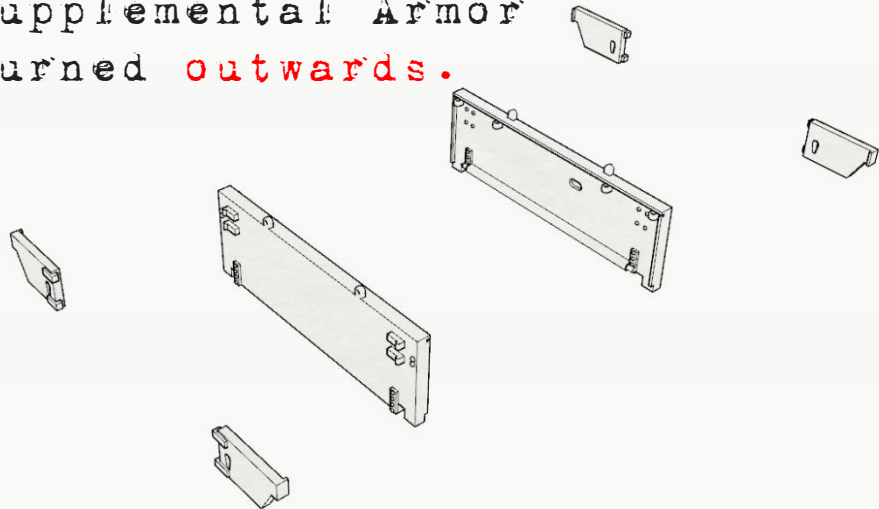
We recommend you sand the connecting point
before gluing the parts in place. This will
make for a stronger bond.

Trench Worx

Möbelwagen (TW-20416)
Assembly Instructions

Protective Configuration:
Armor Partially Down
Gun Could Rotate 360*
for Aerial Targets Only

Supplemental Armor
Turned **outwards**.



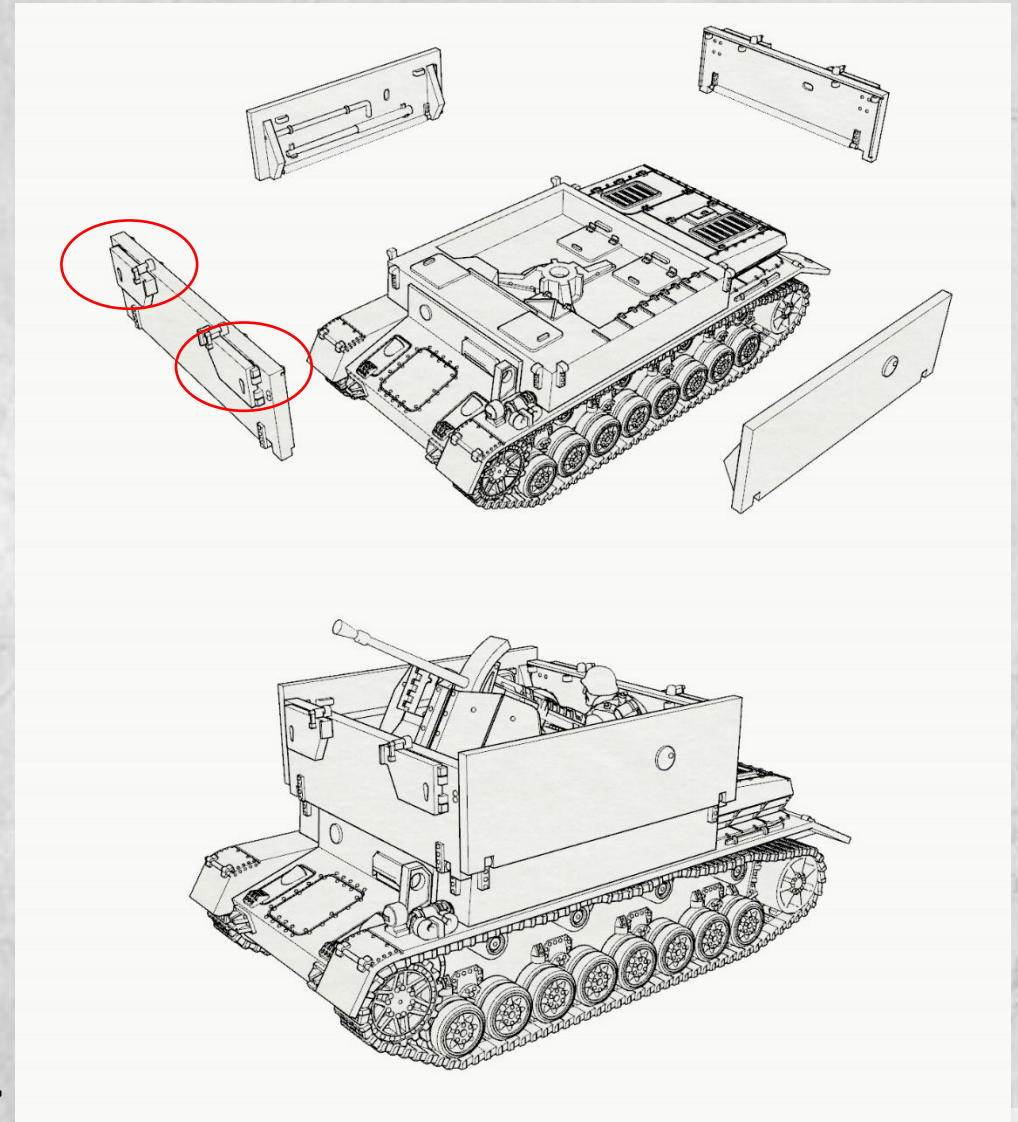
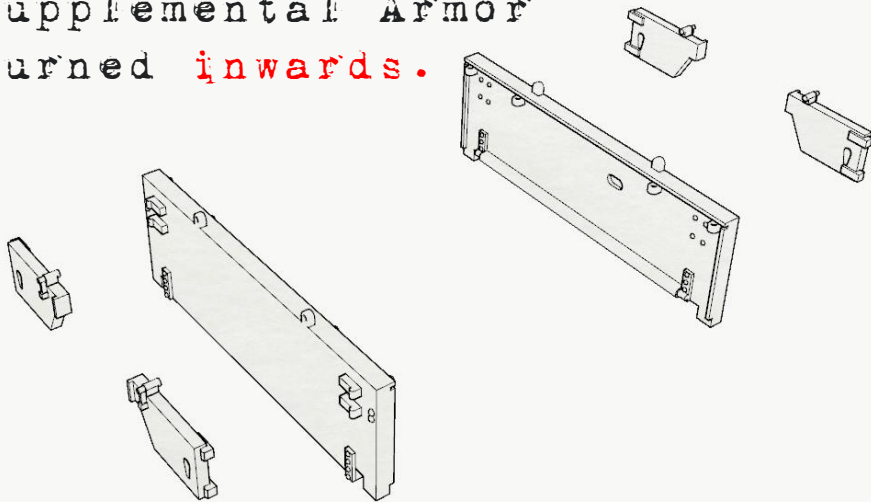
We recommend you sand the connecting point before gluing the parts in place. This will make for a stronger bond.

Trench Worx

Möbelwagen (TW-20416)
Assembly Instructions

Transport Configuration:
Armor in FULLY UP Position
No Gun Rotation but could
Be used for Aerial Targets

Supplemental Armor
Turned **inwards**.



We recommend you sand the connecting point
before gluing the parts in place. This will
make for a stronger bond.

Trench Worx

Möbelwagen (TW-20416)
Assembly Instructions



We recommend you sand the connecting points before gluing the parts in place. This will make for a stronger bond.

Trench Worx