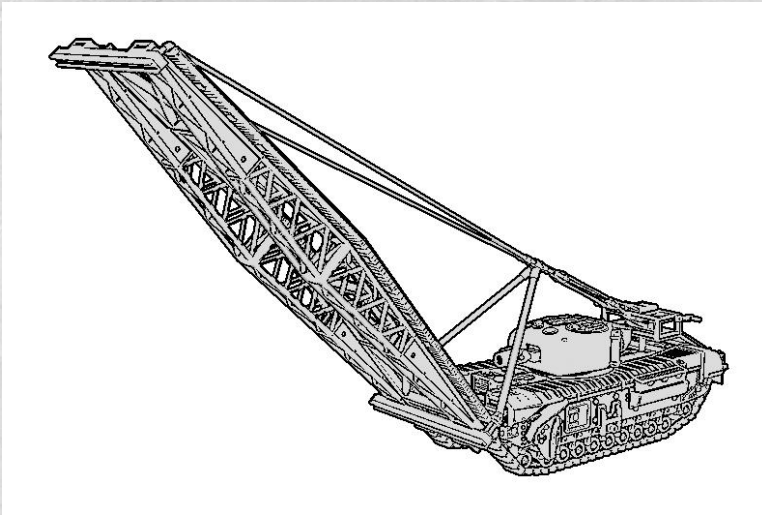


Churchill AVRE with Small Box Girder (TW-20205)
Assembly Instructions

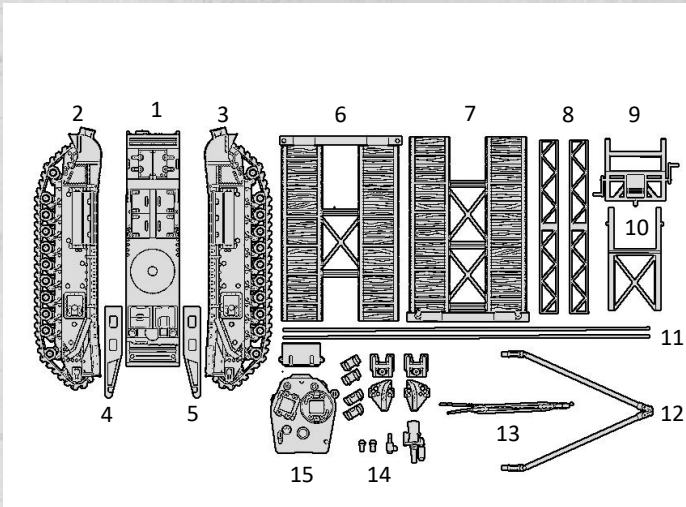


© 2021 Trenchworx

Trench Worx

1

Churchill AVRE with Small Box Girder (TW-20205)
Assembly Instructions

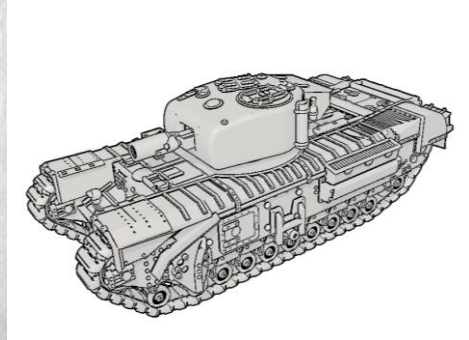
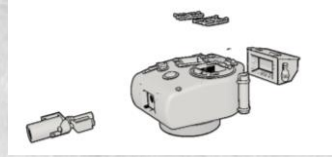
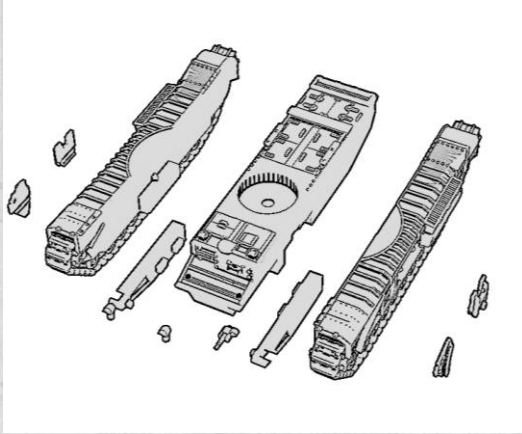


Bill of Materials	
P/N	Description
1	AVRE Hull
2	Right Track
3	Left Track
4	Right AVRE SBG Mount (metal)
5	Left AVRE SBG Mount (metal)
6	Lower Bridge
7	Upper Bridge
8	Box Girders X2 (printed)
9	Wench (printed)
10	Bridge Mount (metal)
11	Wires (pre-cut hard metal) DO NOT CUT W/ PLASTIC SNIPS!
12	Wish Bone (metal)
13	Pulley (metal)
14	Printed Part Strip: Hatch Halves (x4) AVRE Side Plates (x4) Signal Lights Hull Mount MG 290mm Petard Mortar
15	Turret and Storage Box

Trench Worx

2

Churchill AVRE with Small Box Girder (TW-20205) Assembly Instructions

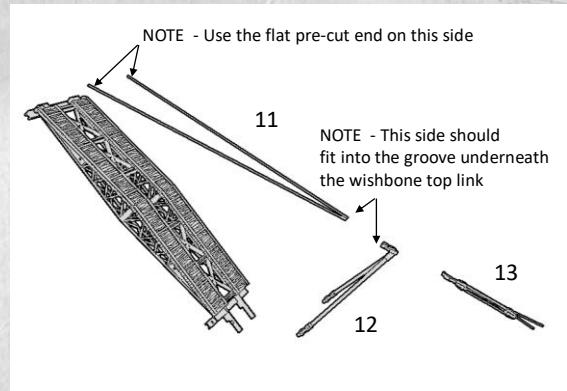
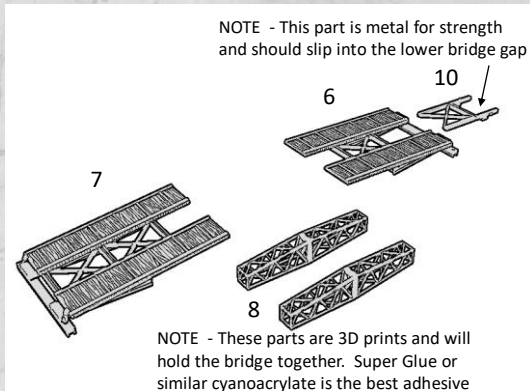


We recommend you sand the connecting points before gluing the parts in place. This will make for a stronger bond.

Trench Worx

3

Churchill AVRE with Small Box Girder (TW-20205) Assembly Instructions

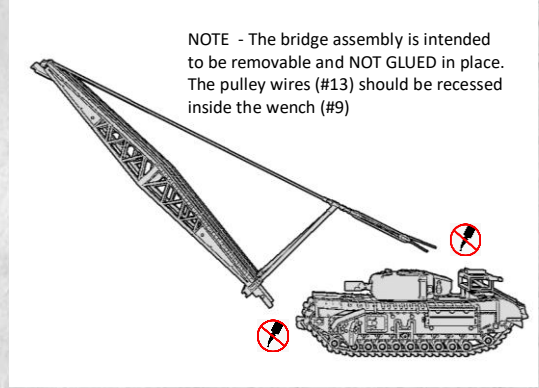
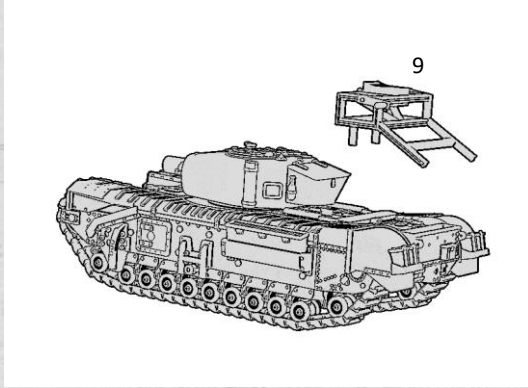


We recommend you sand the connecting points before gluing the parts in place. This will make for a stronger bond.

Trench Worx

4

Churchill AVRE with Small Box Girder (TW-20205)
Assembly Instructions



We recommend you sand the connecting points before gluing the parts in place. This will make for a stronger bond.

Trench Worx