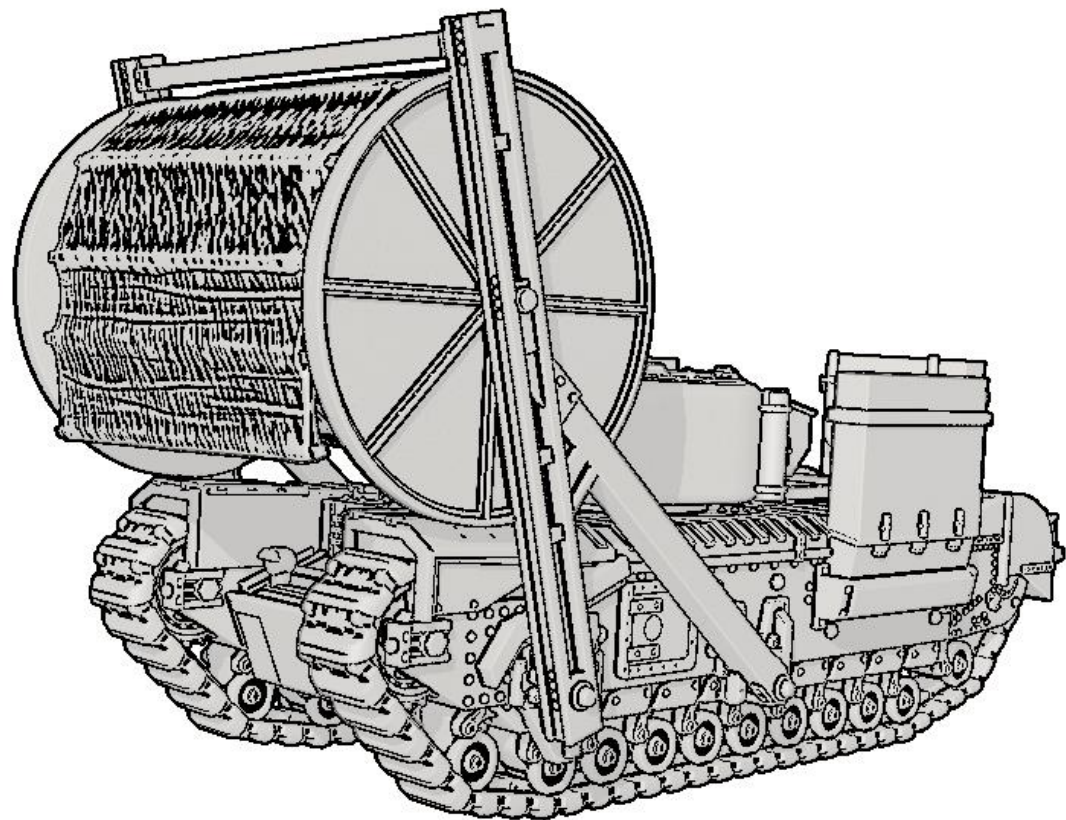
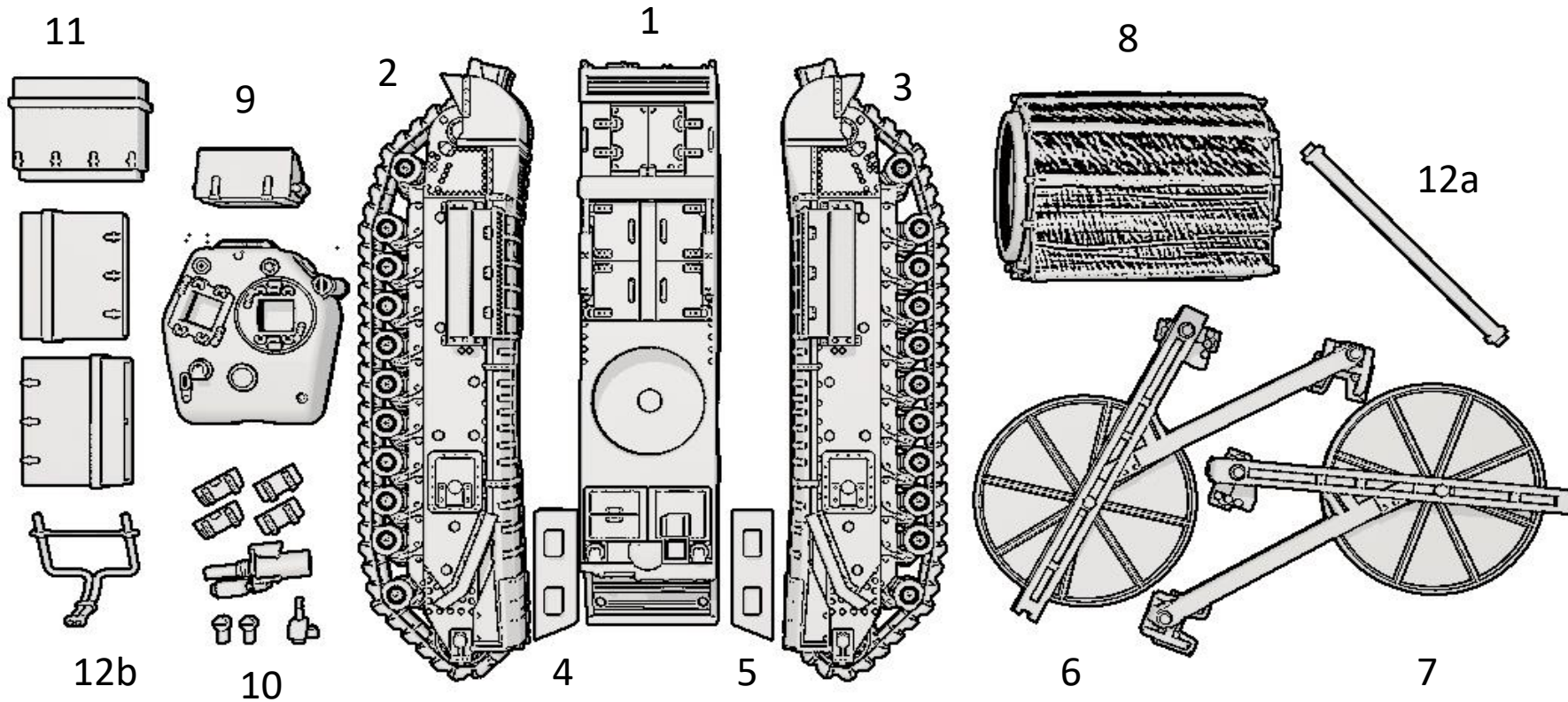


Churchill AVRE with Bobbin (TW-20204)  
Assembly Instructions



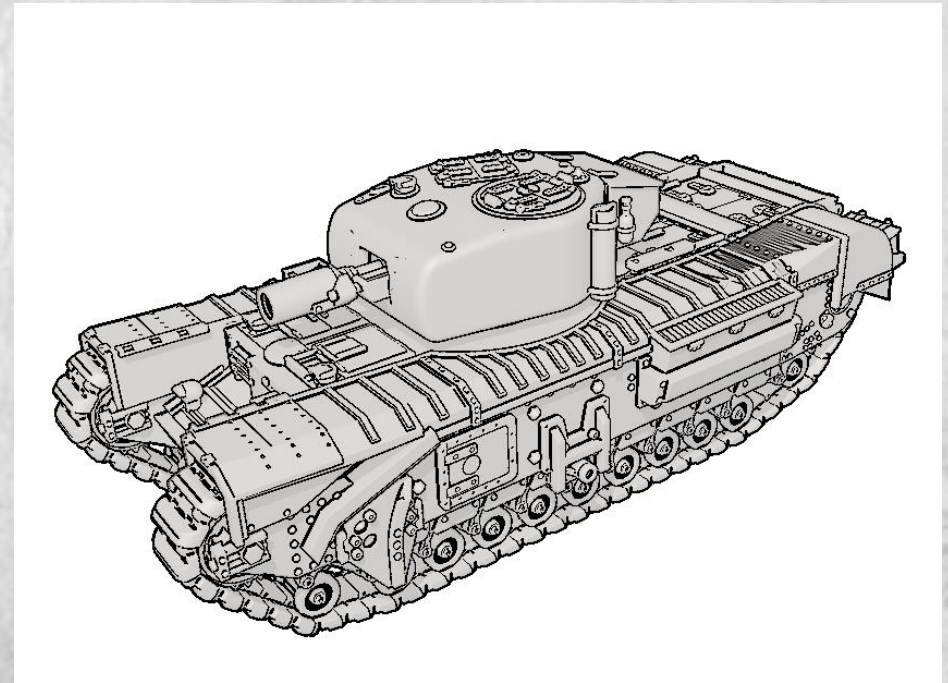
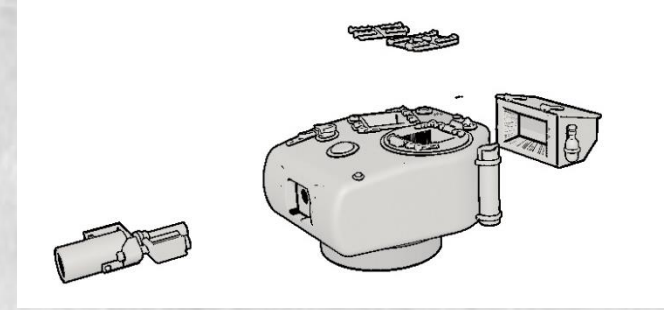
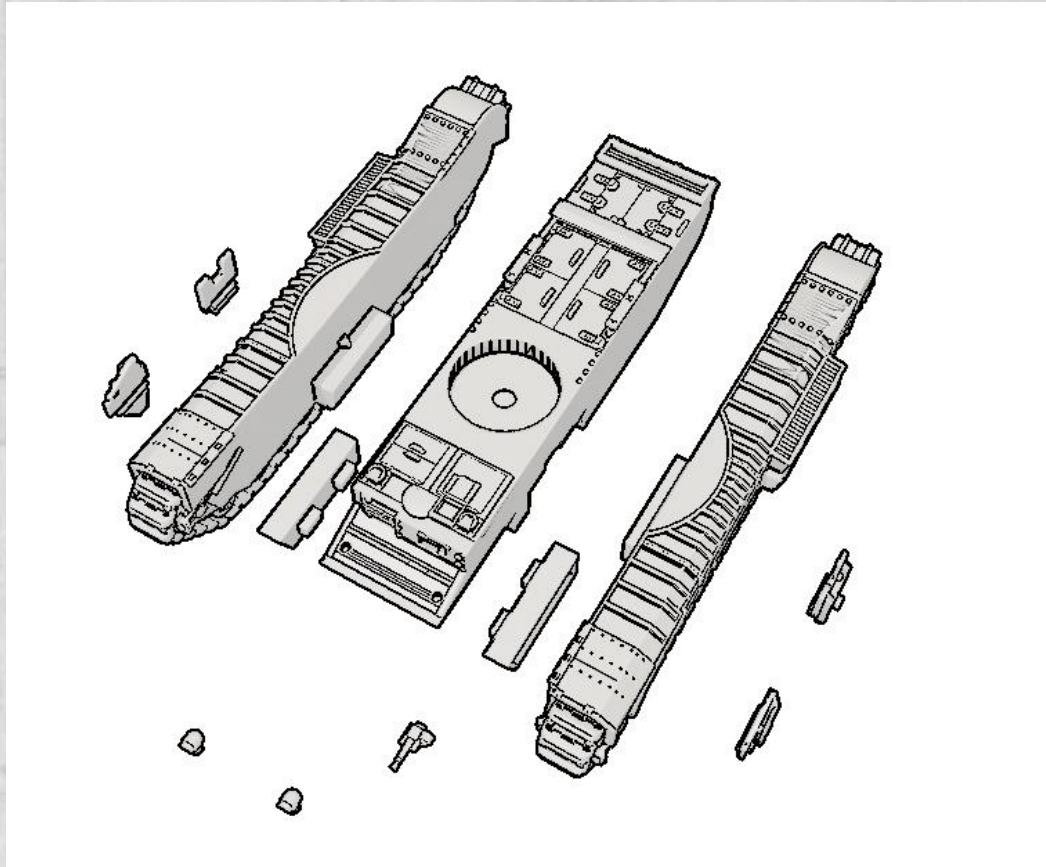
# Churchill AVRE with Bobbin (TW-20204)

## Assembly Instructions



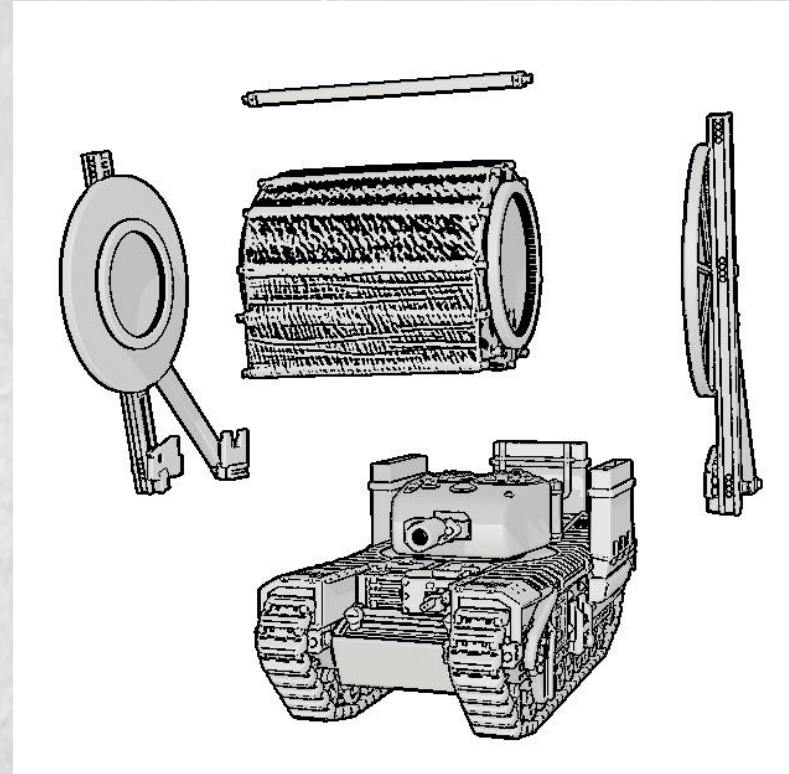
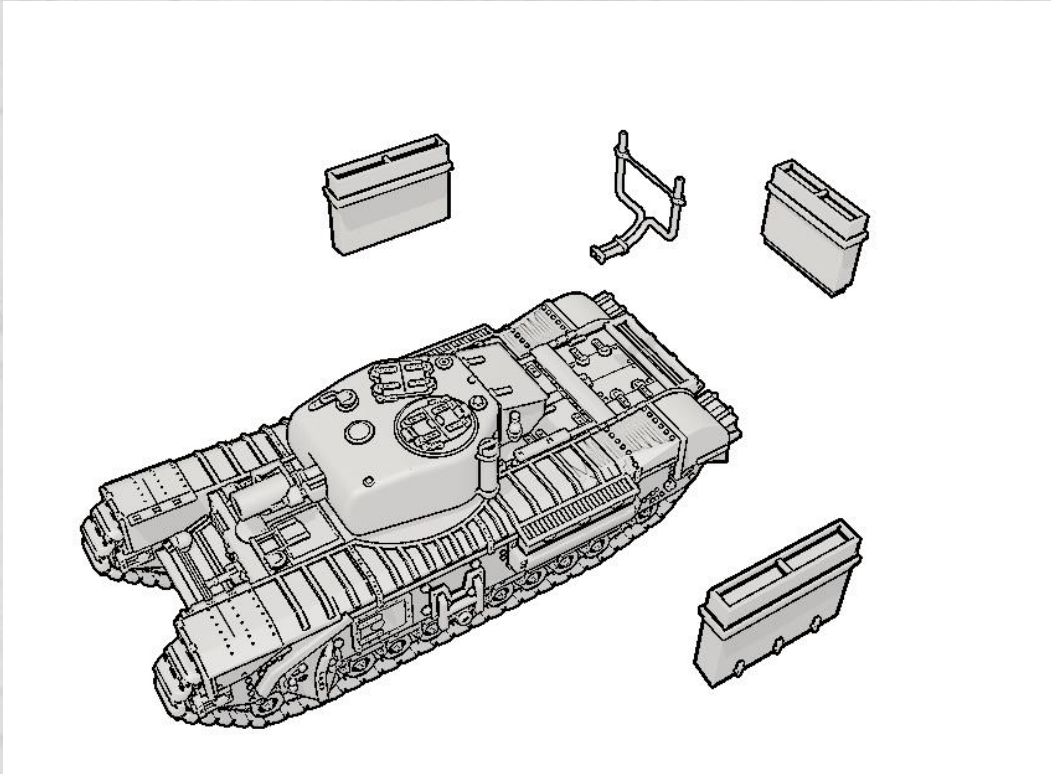
| Bill of Materials |  |
|-------------------|--|
| P/N               | Description  |
| 1                 | AVRE Hull  |
| 2                 | Right Track  |
| 3                 | Left Track   |
| 4                 | Right AVRE Hull Filler   |
| 5                 | Left AVRE Hull Filler  |
| 6                 | Right Carpet Rack  |
| 7                 | Left Carpet Rack   |
| 8                 | Carpet Roll  |
| 9                 | Turret and Storage Box   |
| 10                | Printed Part Strip:<br>Hatch Halves (x4)<br>AVRE Side Plates (x4)<br>Signal Lights<br>Hull Mount MG<br>290mm Petard Mortar |
| 11                | Intake Snorkels (all same size)  |
| 12                | Printed Sprue:<br>a - Rack Cross Beam<br>b - Exhaust Sprue   |

# Churchill AVRE with Bobbin (TW-20204) Assembly Instructions



We recommend you sand the connecting points before gluing the parts in place. This will make for a stronger bond.

# Churchill AVRE with Bobbin (TW-20204) Assembly Instructions



We recommend you sand the connecting points before gluing the parts in place. This will make for a stronger bond.