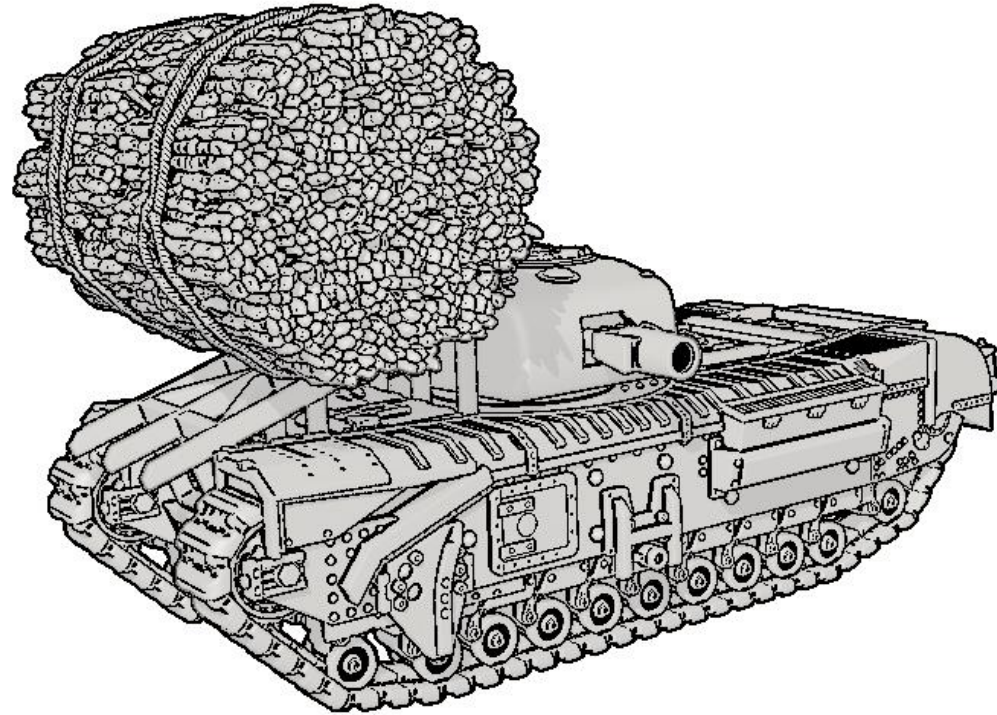
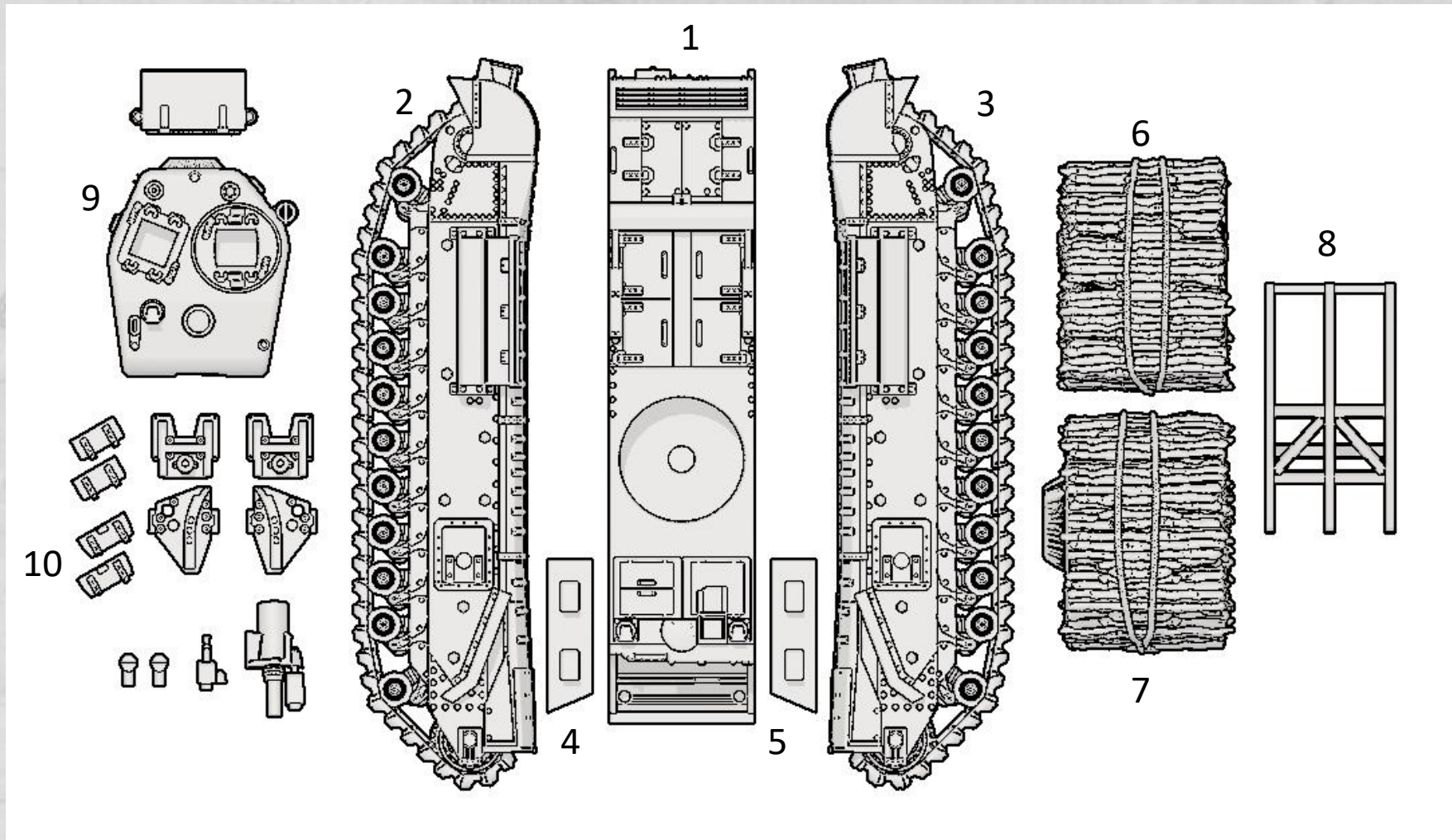


Churchill AVRE with Fascine (TW-20203)
Assembly Instructions



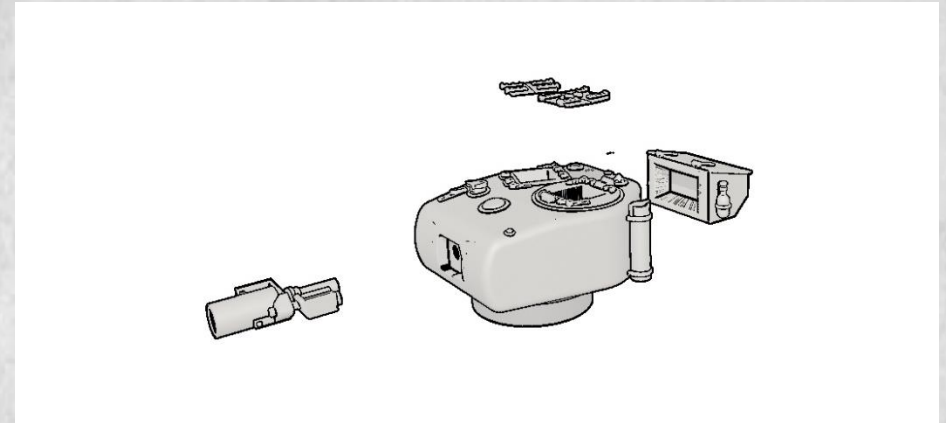
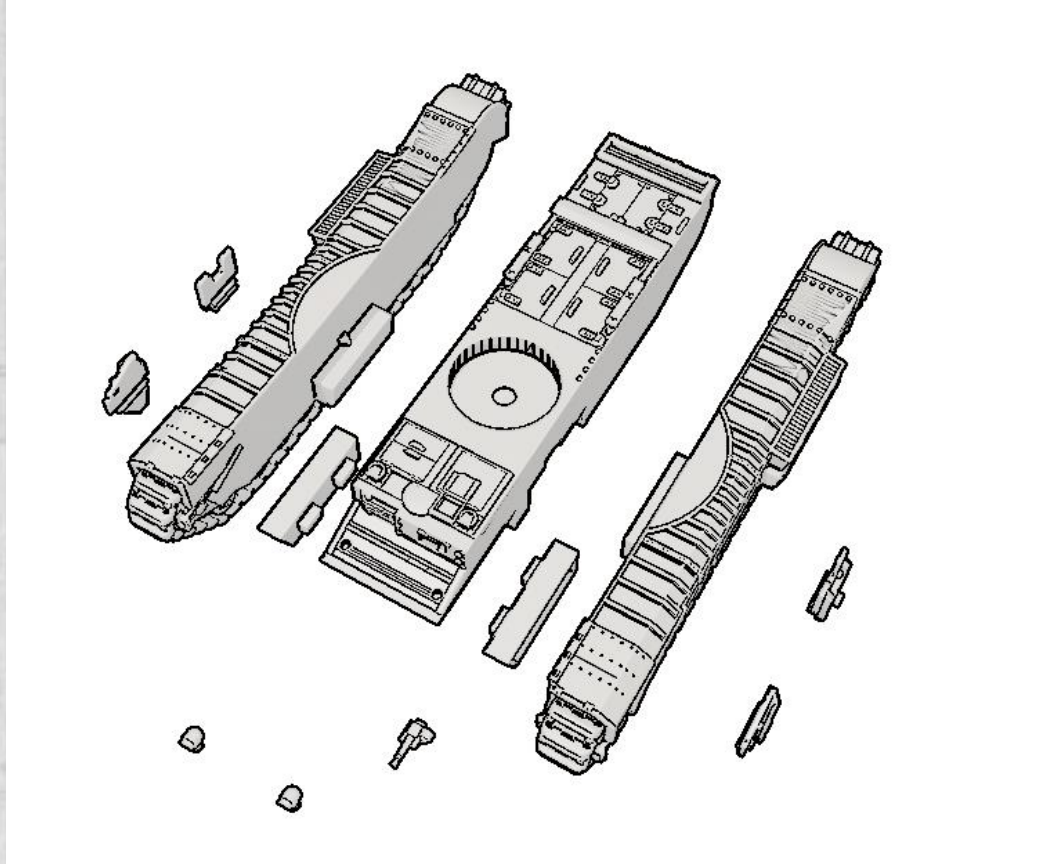
Churchill AVRE with Fascine (TW-20203)

Assembly Instructions



Bill of Materials	
P/N	Description
1	AVRE Hull
2	Right Track
3	Left Track
4	Right AVRE Hull Filler
5	Left AVRE Hull Filler
6	Right Fascine
7	Left Fascine
8	Fascine Rack
9	Turret and Storage Box
10	Printed Part Strip: Hatch Halves (x4) AVRE Side Plates (x4) Signal Lights Hull Mount MG 290mm Petard Mortar

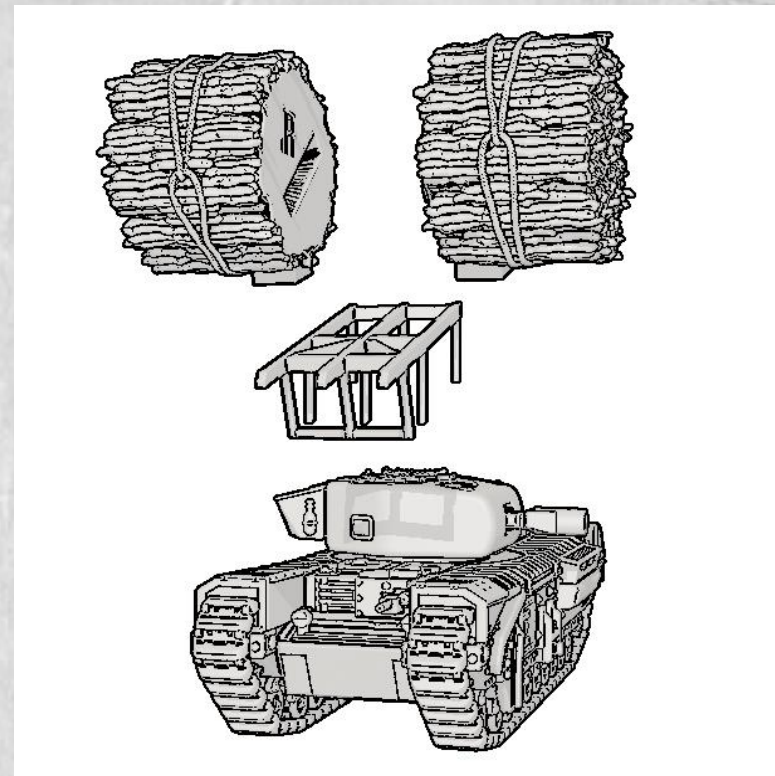
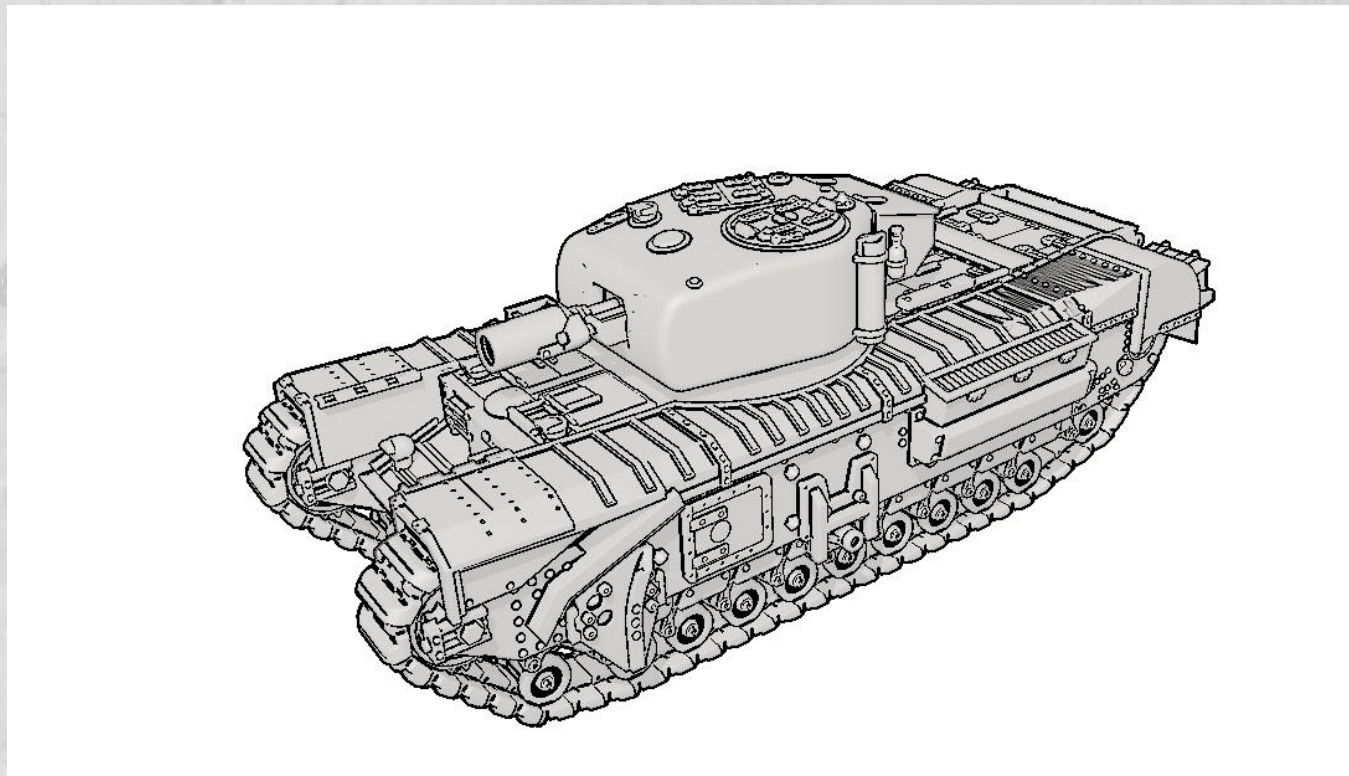
Churchill AVRE with Fascine (TW-20203) Assembly Instructions



We recommend you sand the connecting points before gluing the parts in place. This will make for a stronger bond.

Trench Worx

Churchill AVRE with Fascine (TW-20203) Assembly Instructions



We recommend you sand the connecting points before gluing the parts in place. This will make for a stronger bond.

Trench Worx