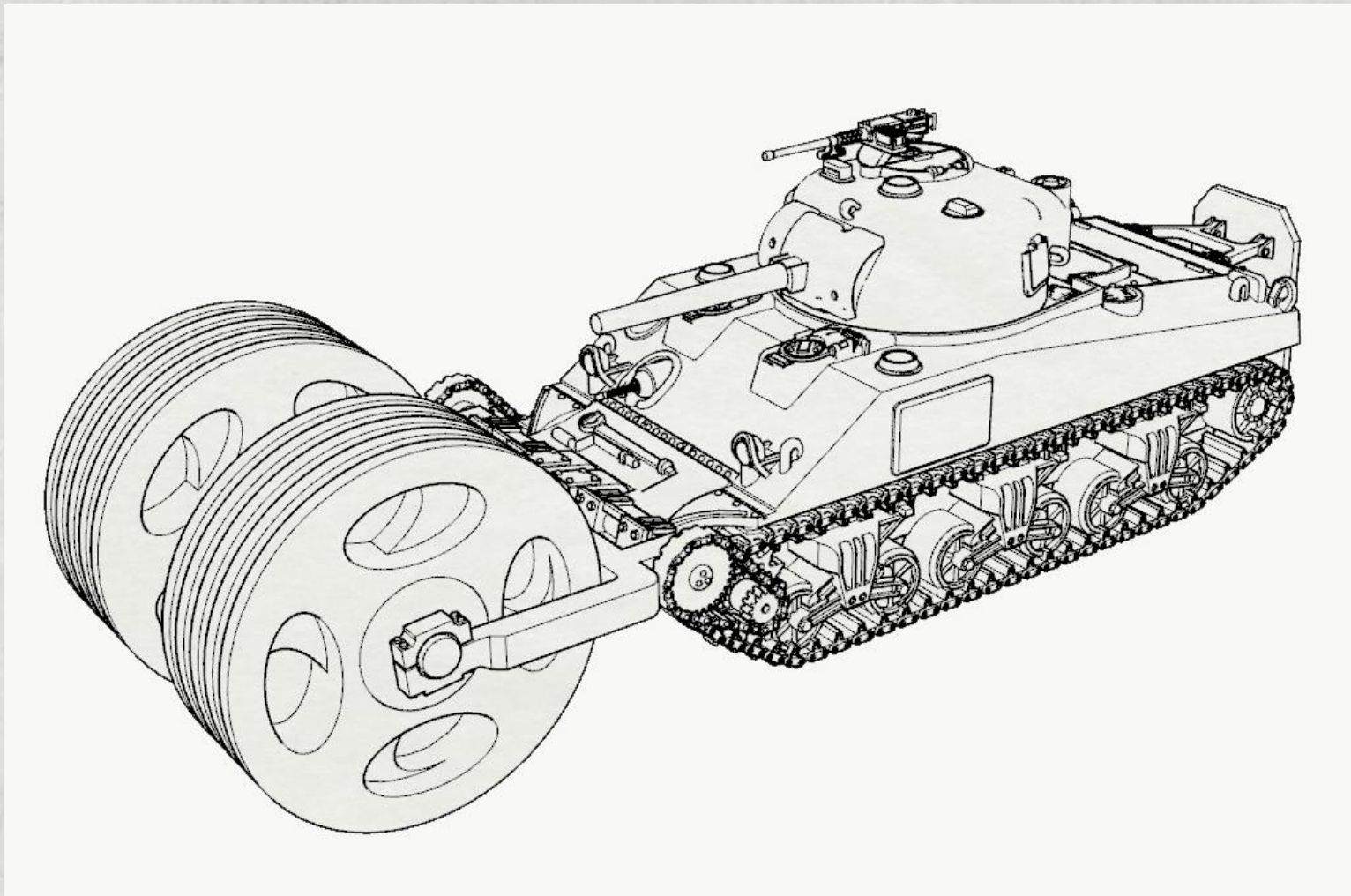
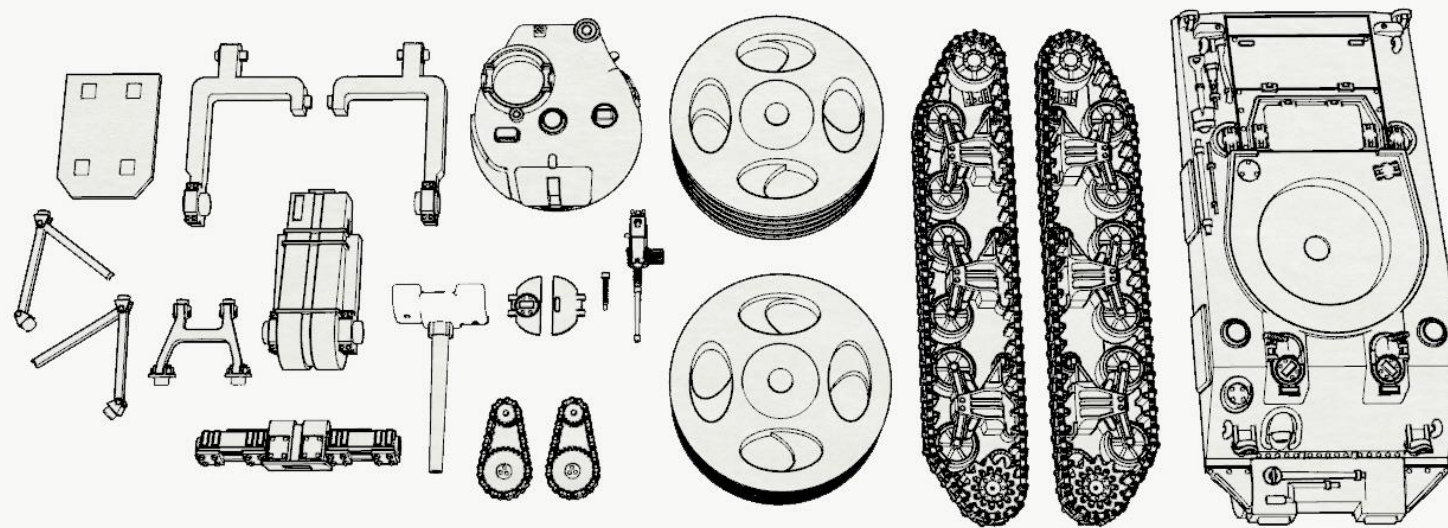


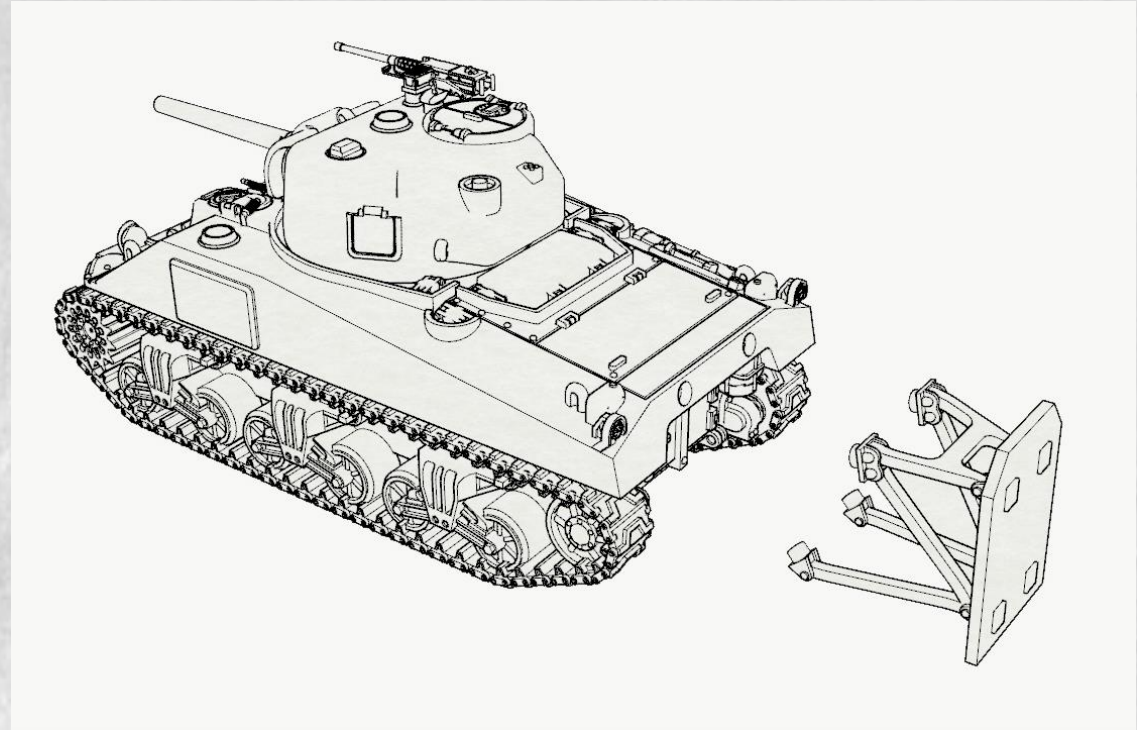
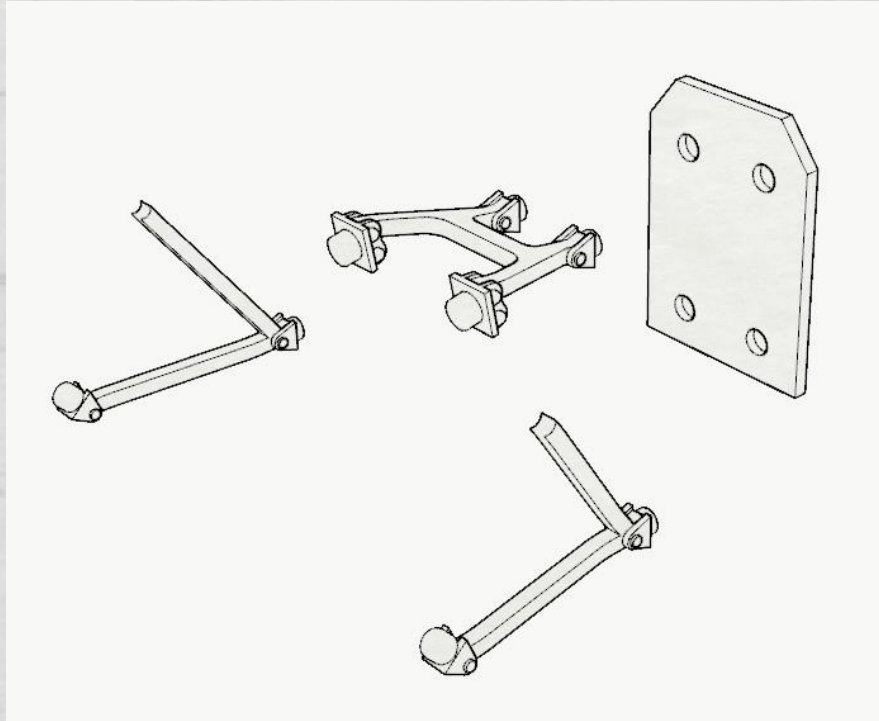
M4 Sherman Mine Roller (TW-20138)  
Assembly Instructions



M4 Sherman Mine Roller (TW-20138)  
Assembly Instructions



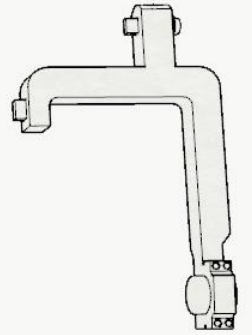
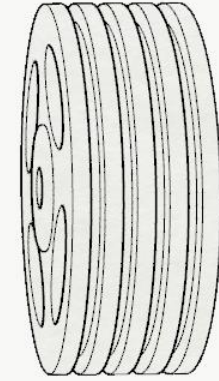
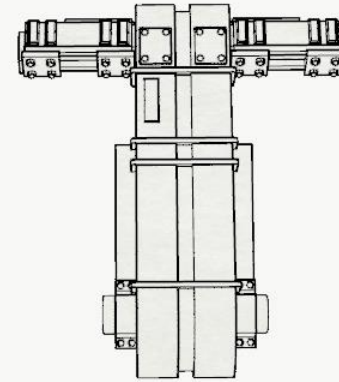
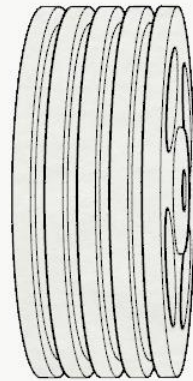
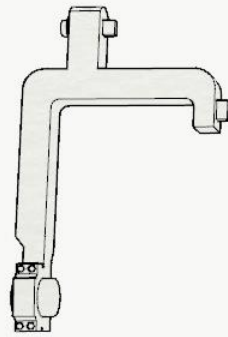
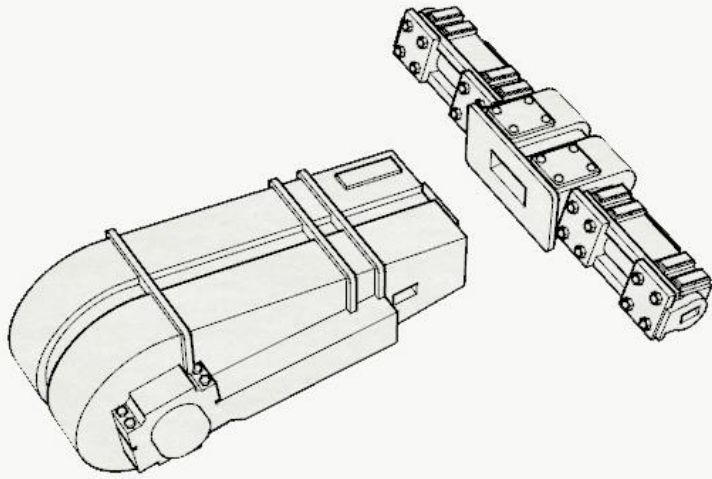
M4 Sherman Mine Roller (TW-20138)  
Assembly Instructions



We recommend you sand the connecting points before gluing the parts in place. This will make for a stronger bond.

Trench Worx

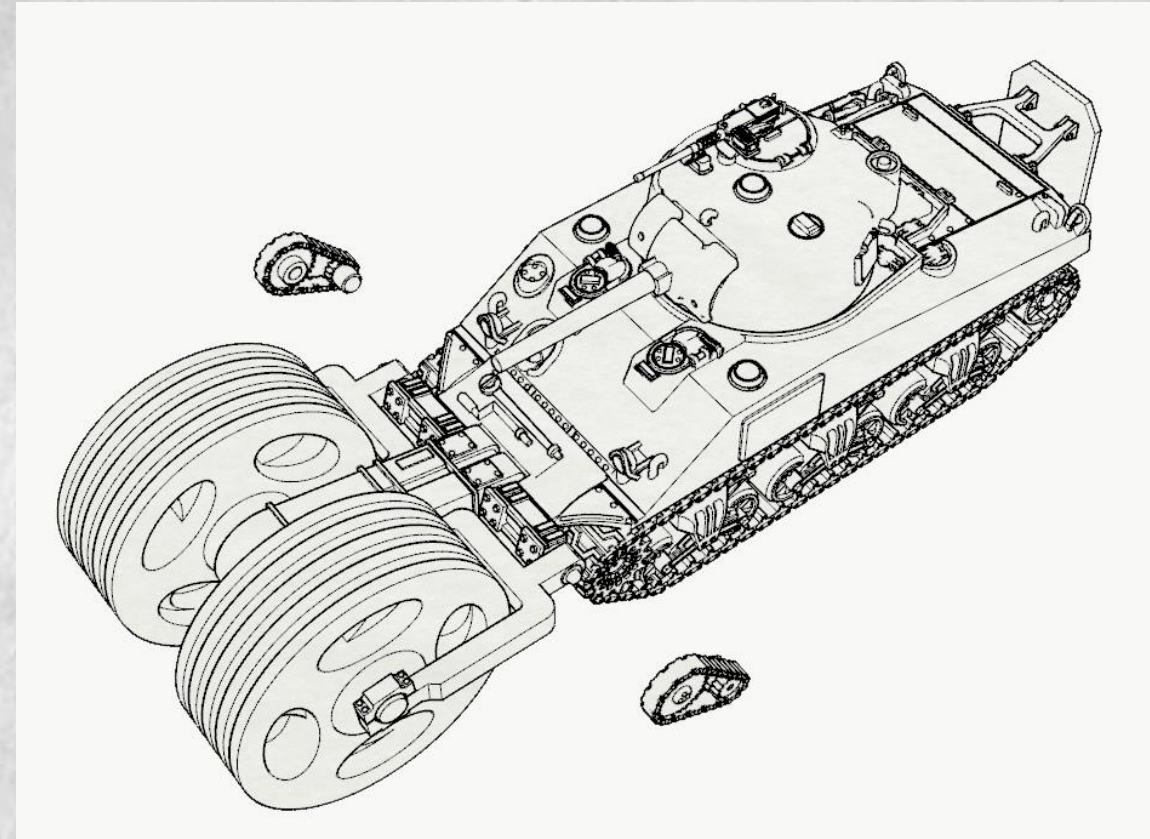
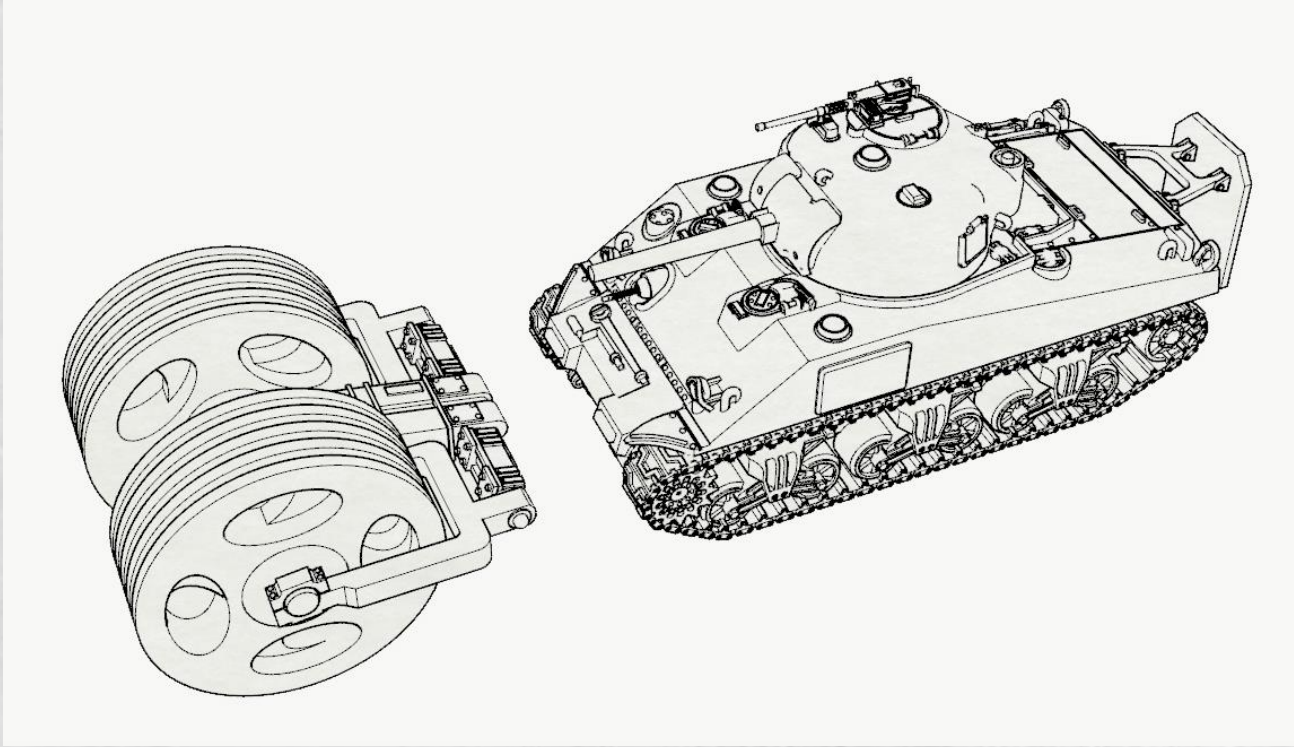
# M4 Sherman Mine Roller (TW-20138) Assembly Instructions



We recommend you sand the connecting points before gluing the parts in place. This will make for a stronger bond.

**Trench Worx**

M4 Sherman Mine Roller (TW-20138)  
Assembly Instructions



We recommend you sand the connecting points before gluing the parts in place. This will make for a stronger bond.

Trench Worx