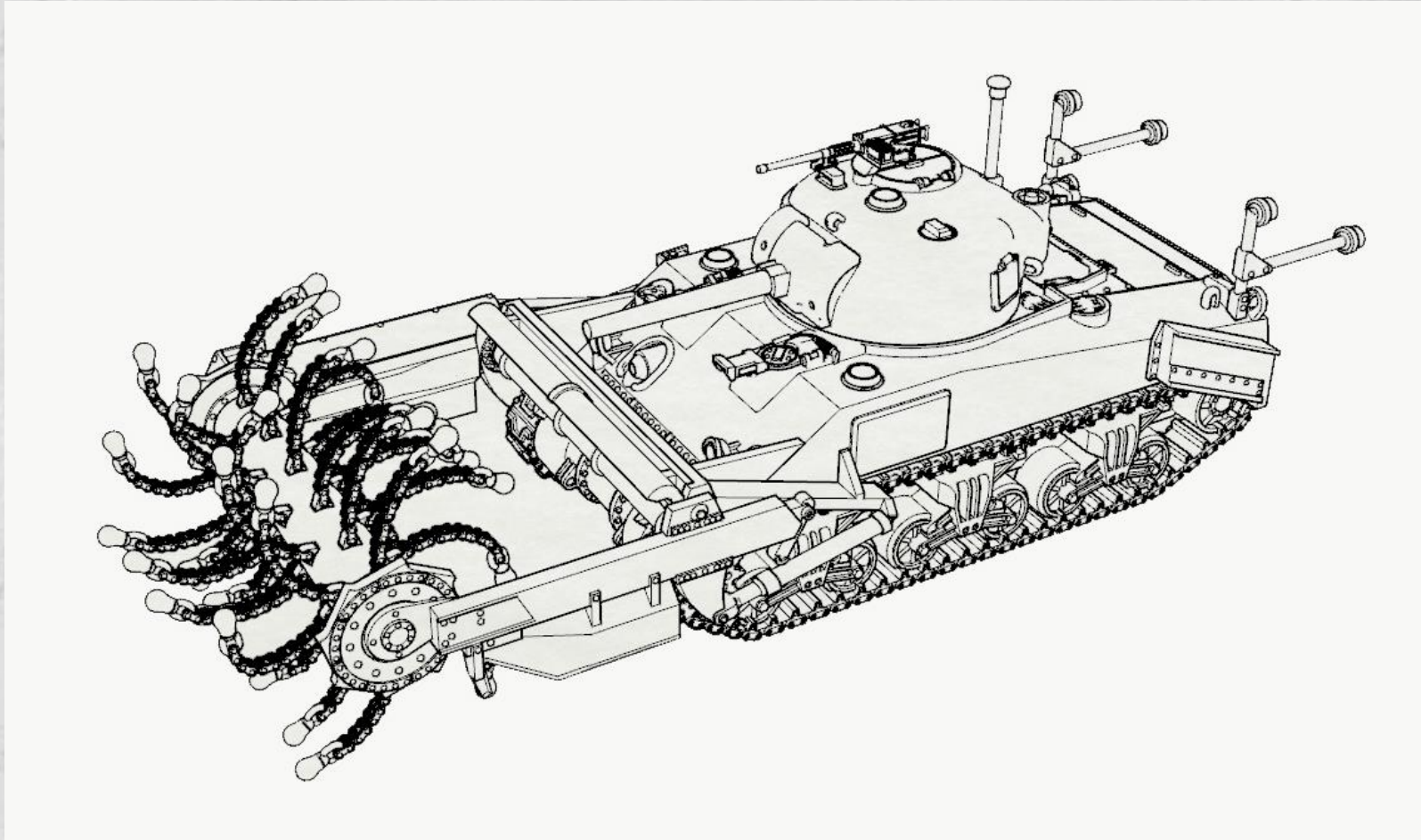
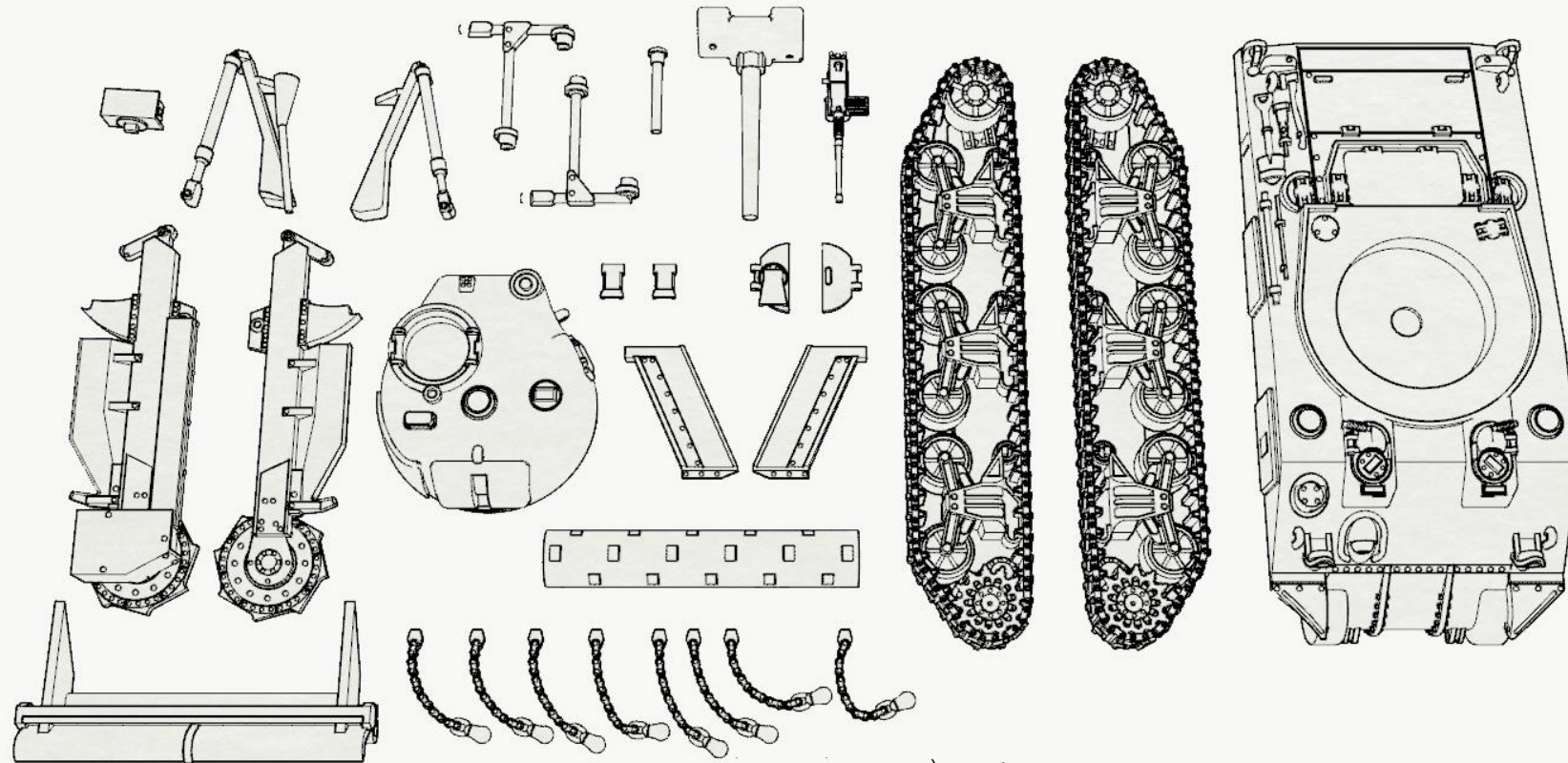


M4 Sherman Crab Flail (TW-20137)
Assembly Instructions

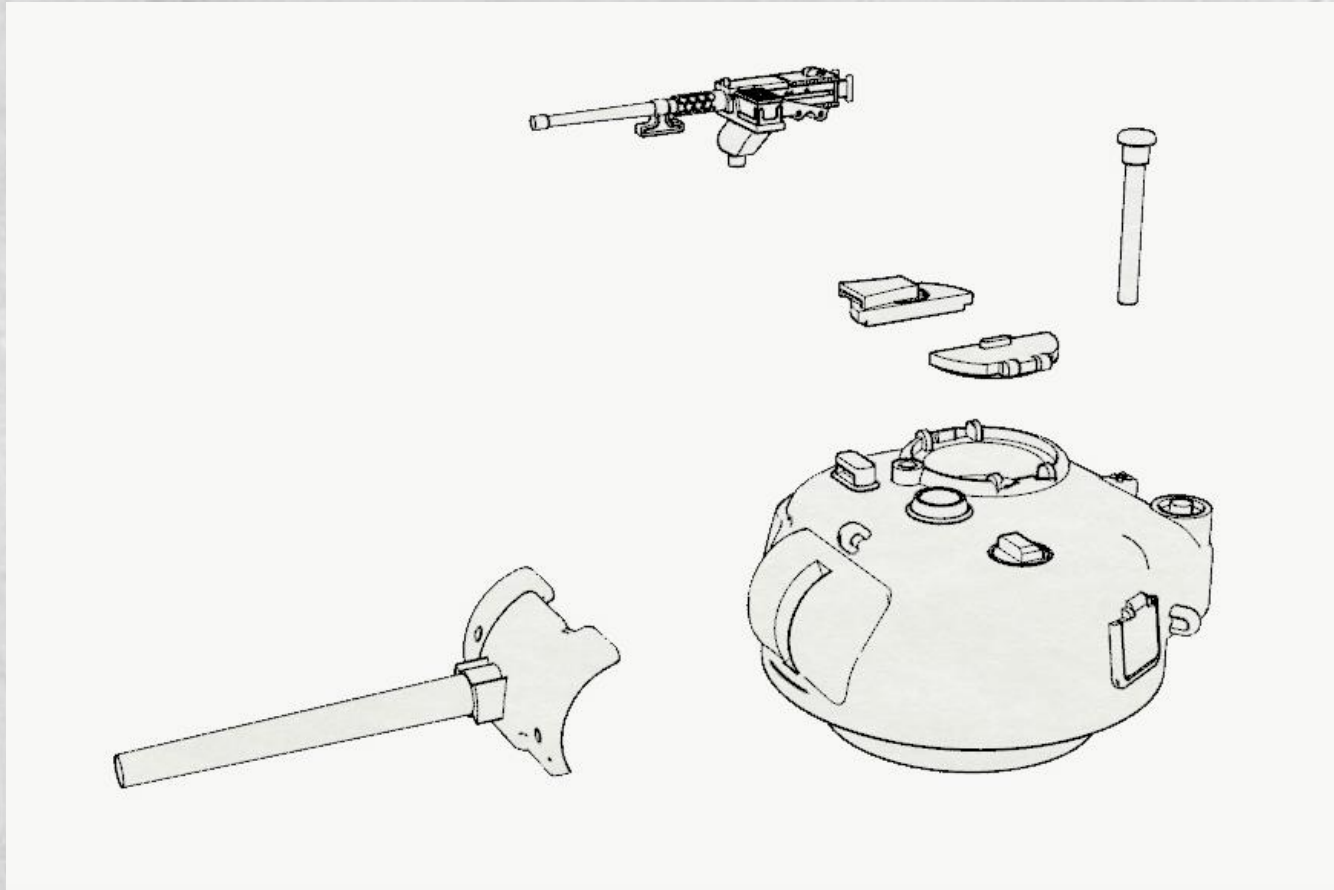


M4 Sherman Crab Flail (TW-20137)
Assembly Instructions



Flails X4 Sprues
+ 1 more 'cause you will drop it in the carpet

M4 Sherman Crab Flail (TW-20137)
Assembly Instructions



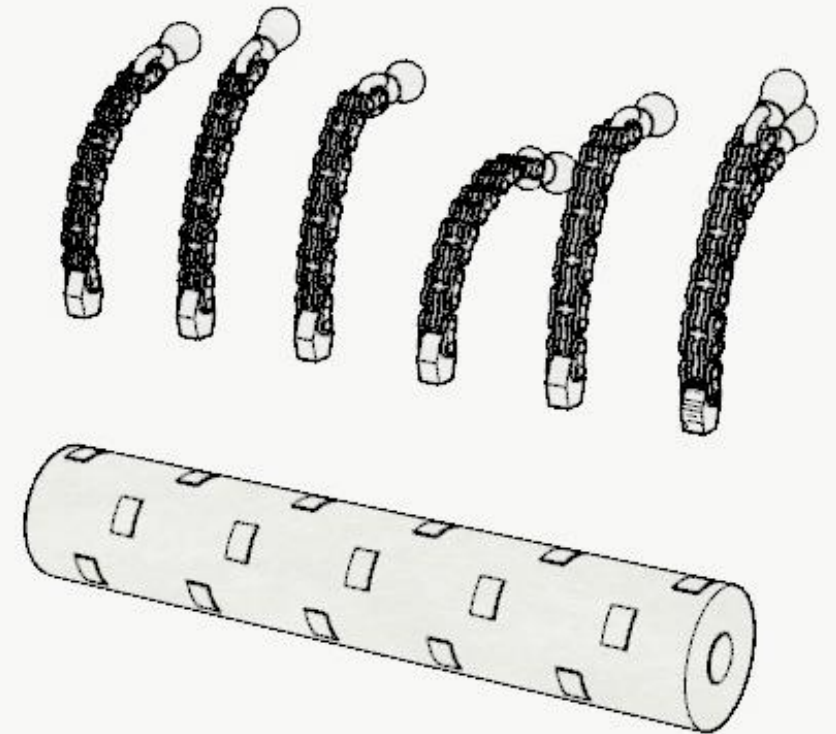
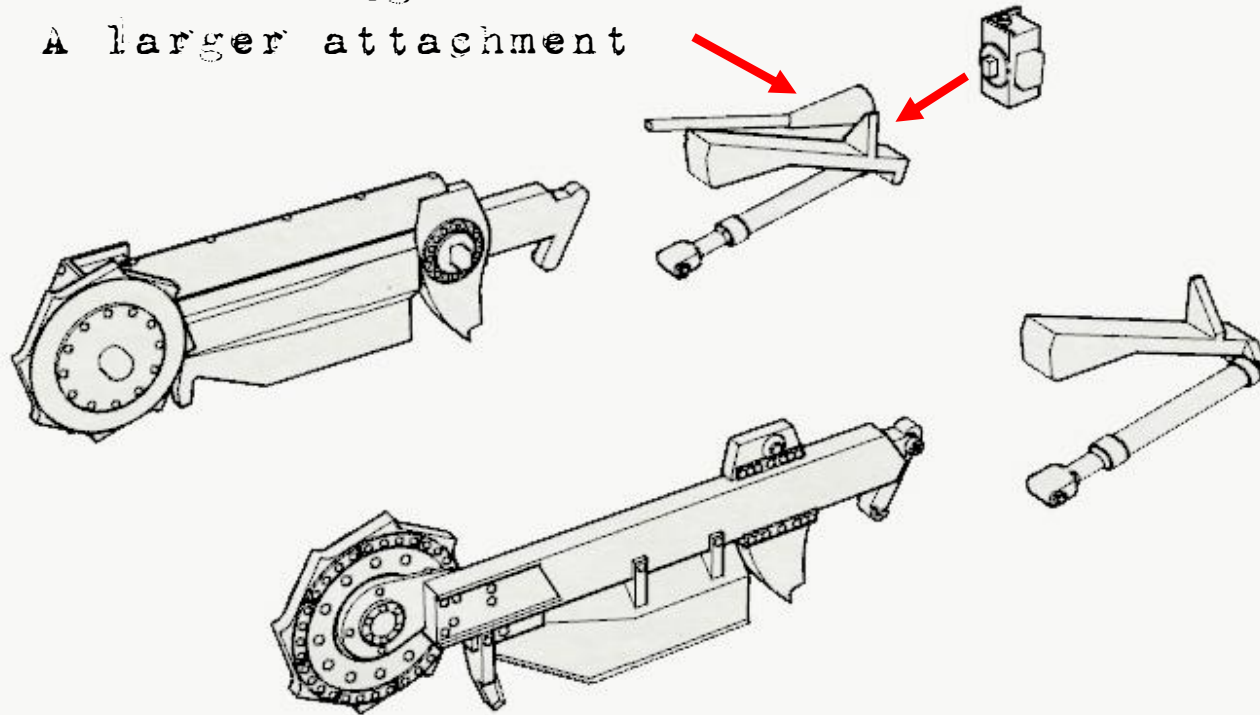
We recommend you sand the connecting points before gluing the parts in place. This will make for a stronger bond.

Trench Worx

M4 Sherman Crab Flail (TW-20137)
Assembly Instructions

Direction doesn't
matter... yet

Note the Right Strut has
A larger attachment

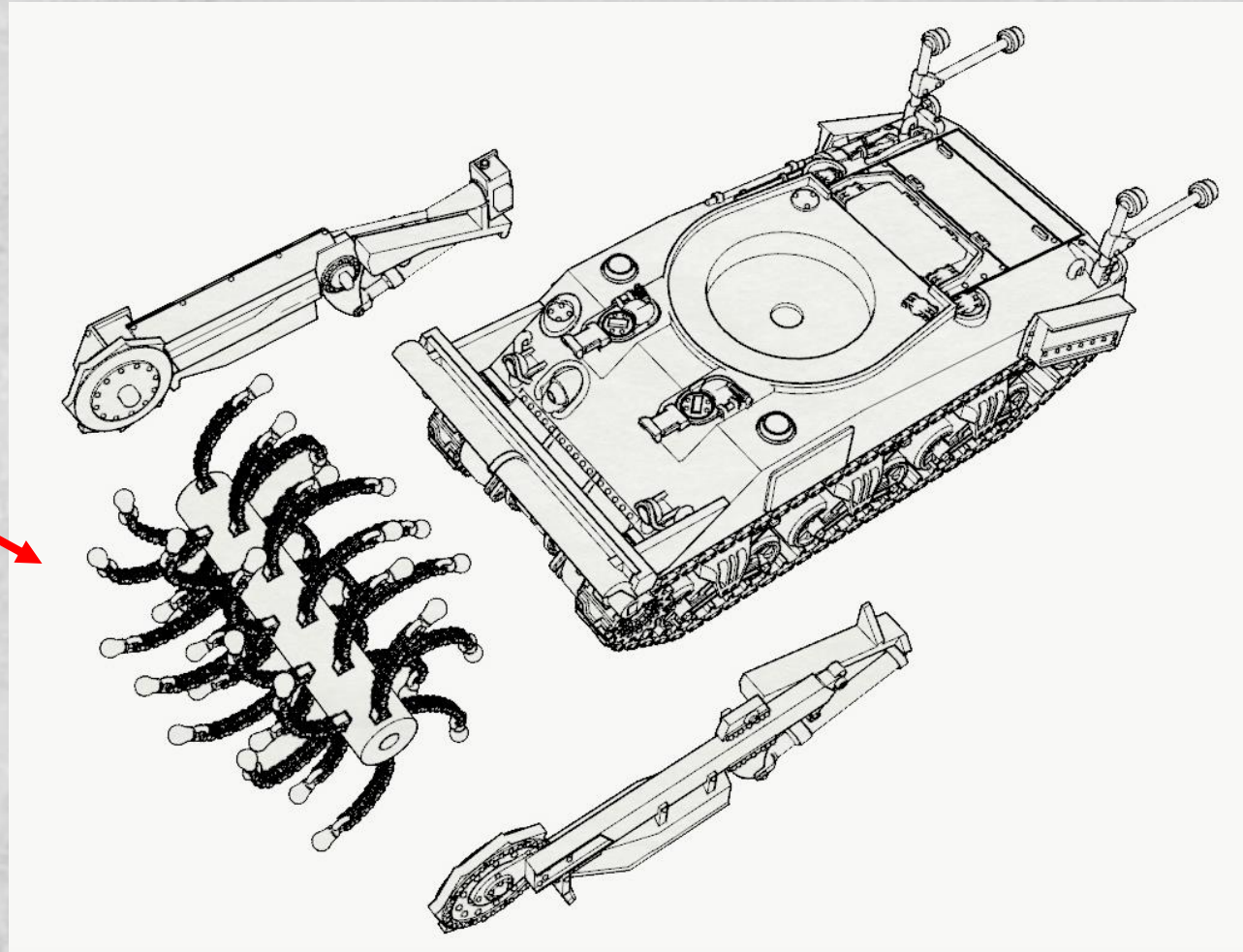


We recommend you sand the connecting points
before gluing the parts in place. This will
make for a stronger bond.

Trench Worx

M4 Sherman Crab Flail (TW-20137)
Assembly Instructions

Direction does
matter here...



We recommend you sand the connecting points before gluing the parts in place. This will make for a stronger bond.

Trench Worx