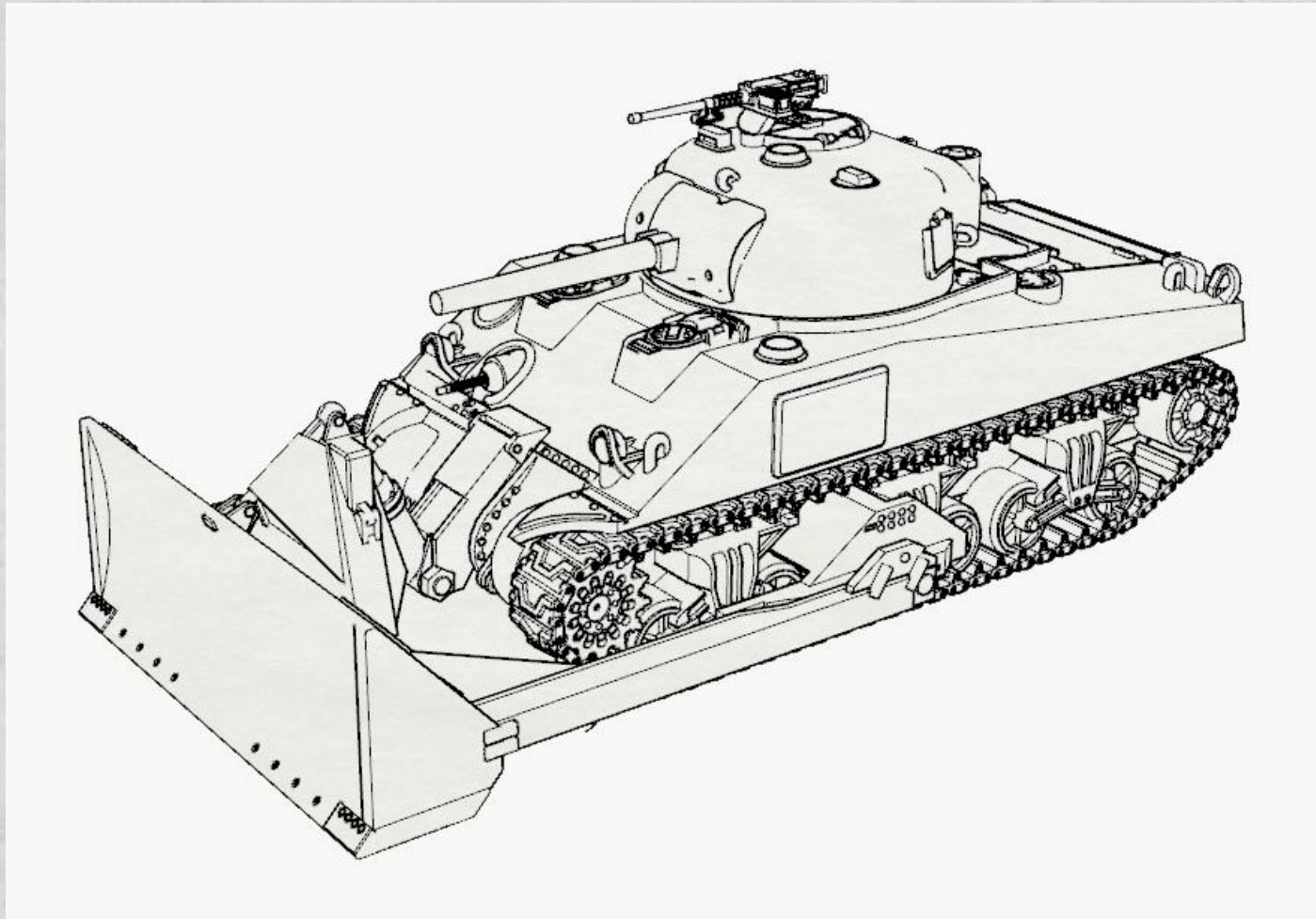
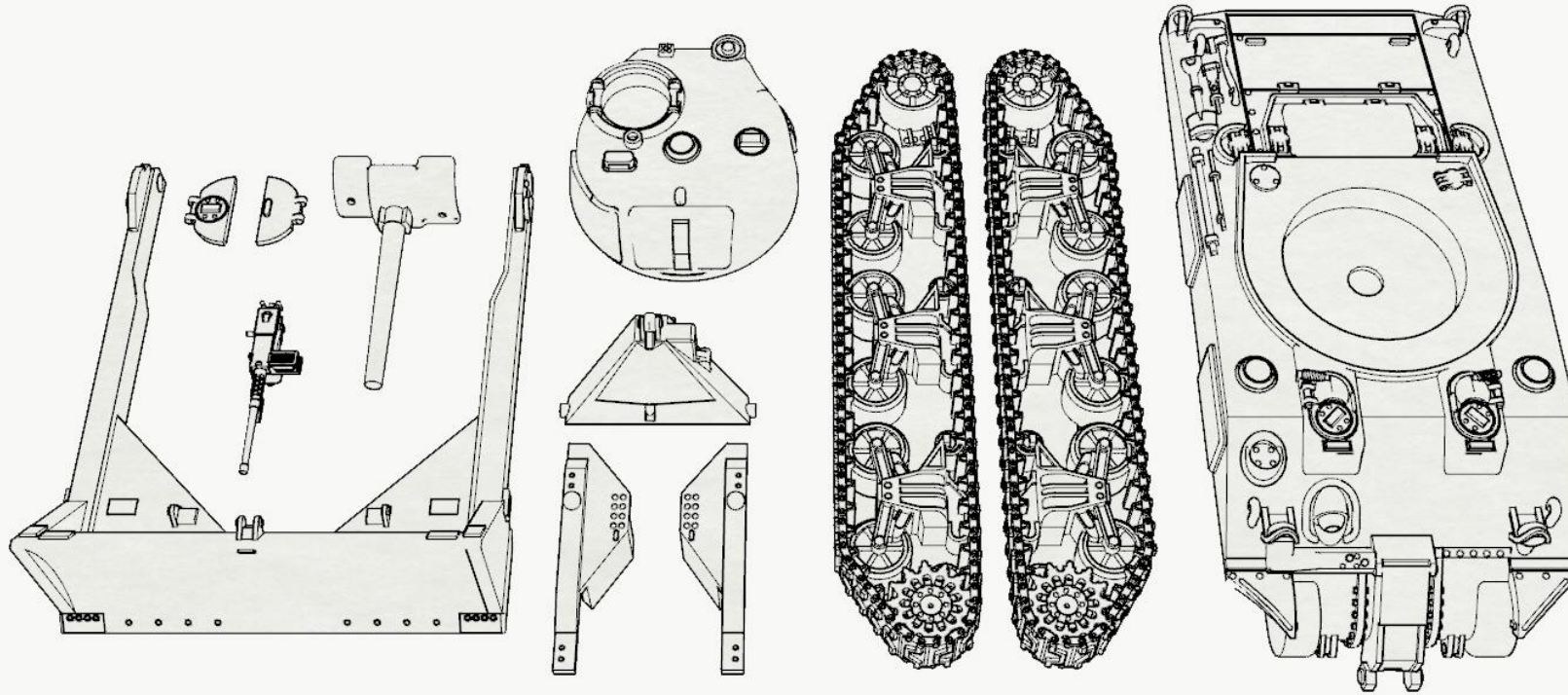


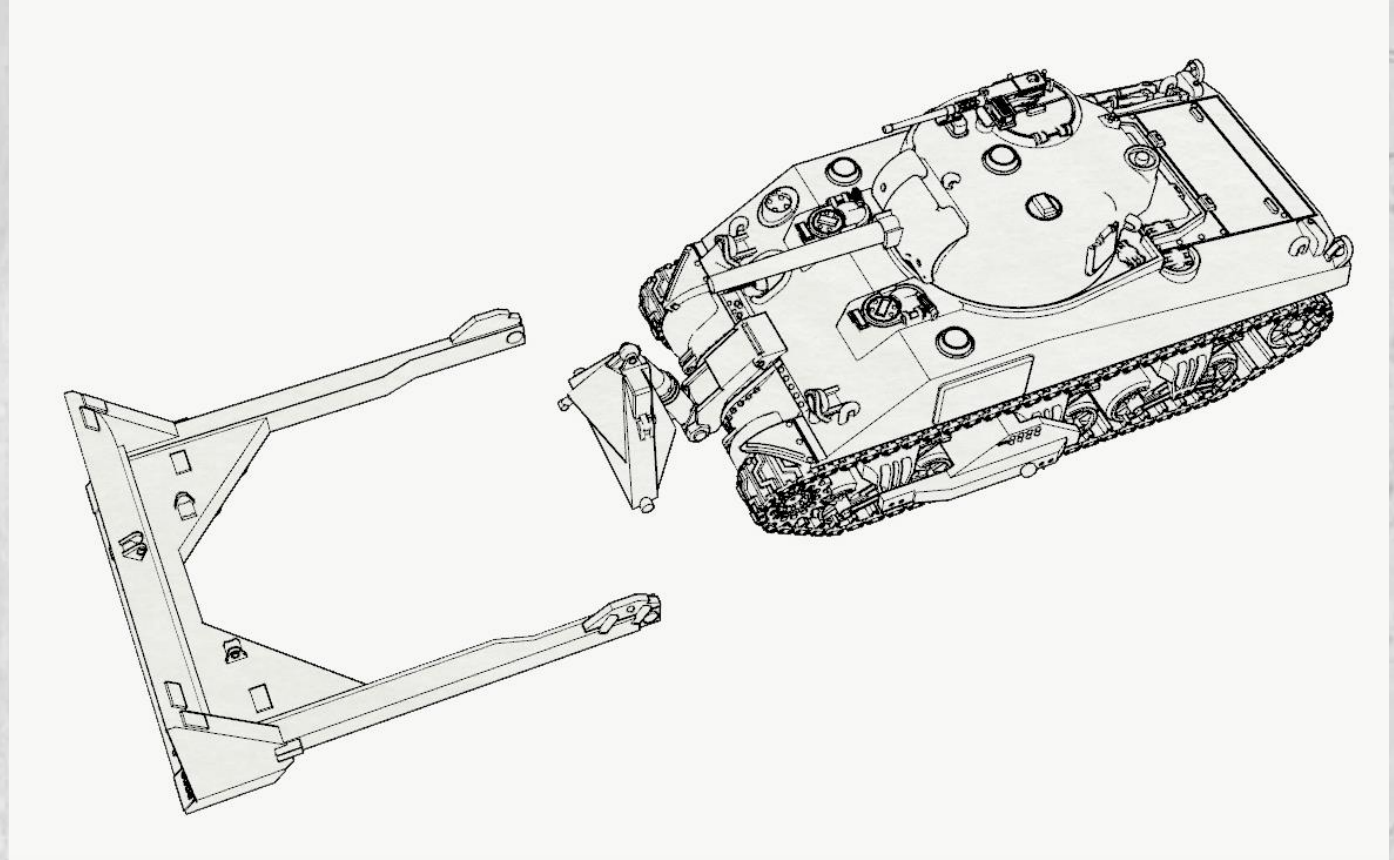
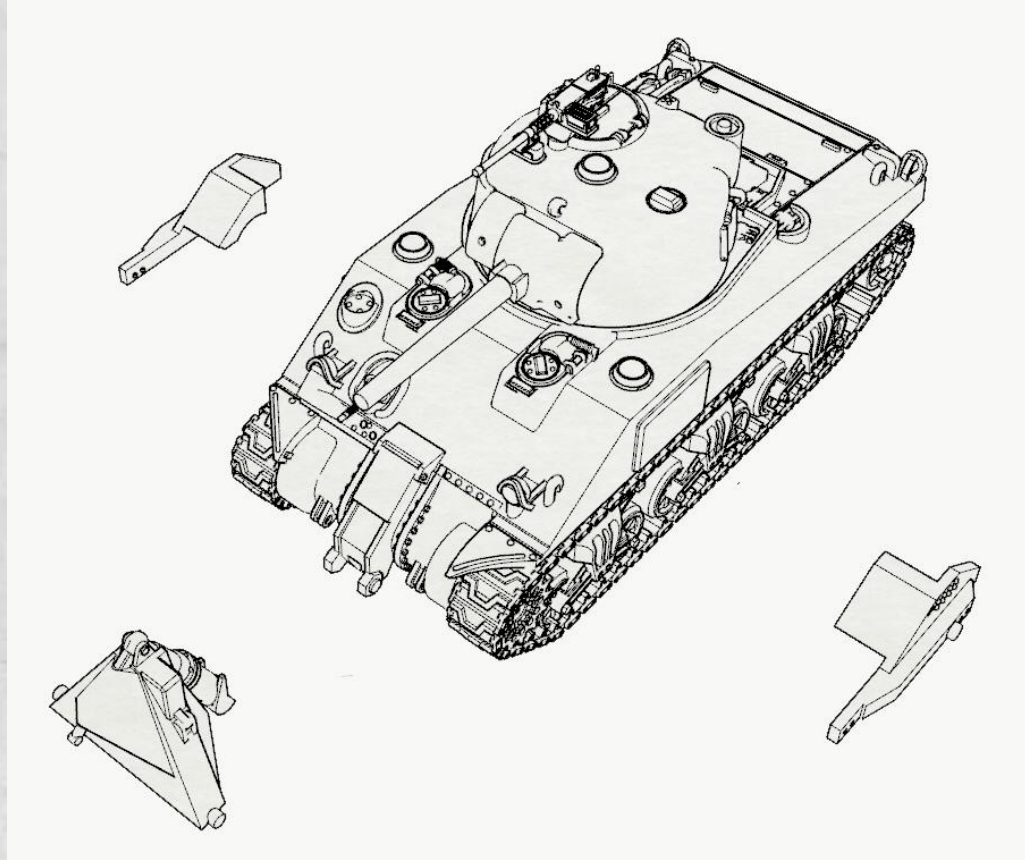
M4 Sherman Bulldozer (TW-20136)
Assembly Instructions



M4 Sherman Bulldozer (TW-20136)
Assembly Instructions



M4 Sherman Bulldozer (TW-20136)
Assembly Instructions



We recommend you sand the connecting points before gluing the parts in place. This will make for a stronger bond.

Trench Worx