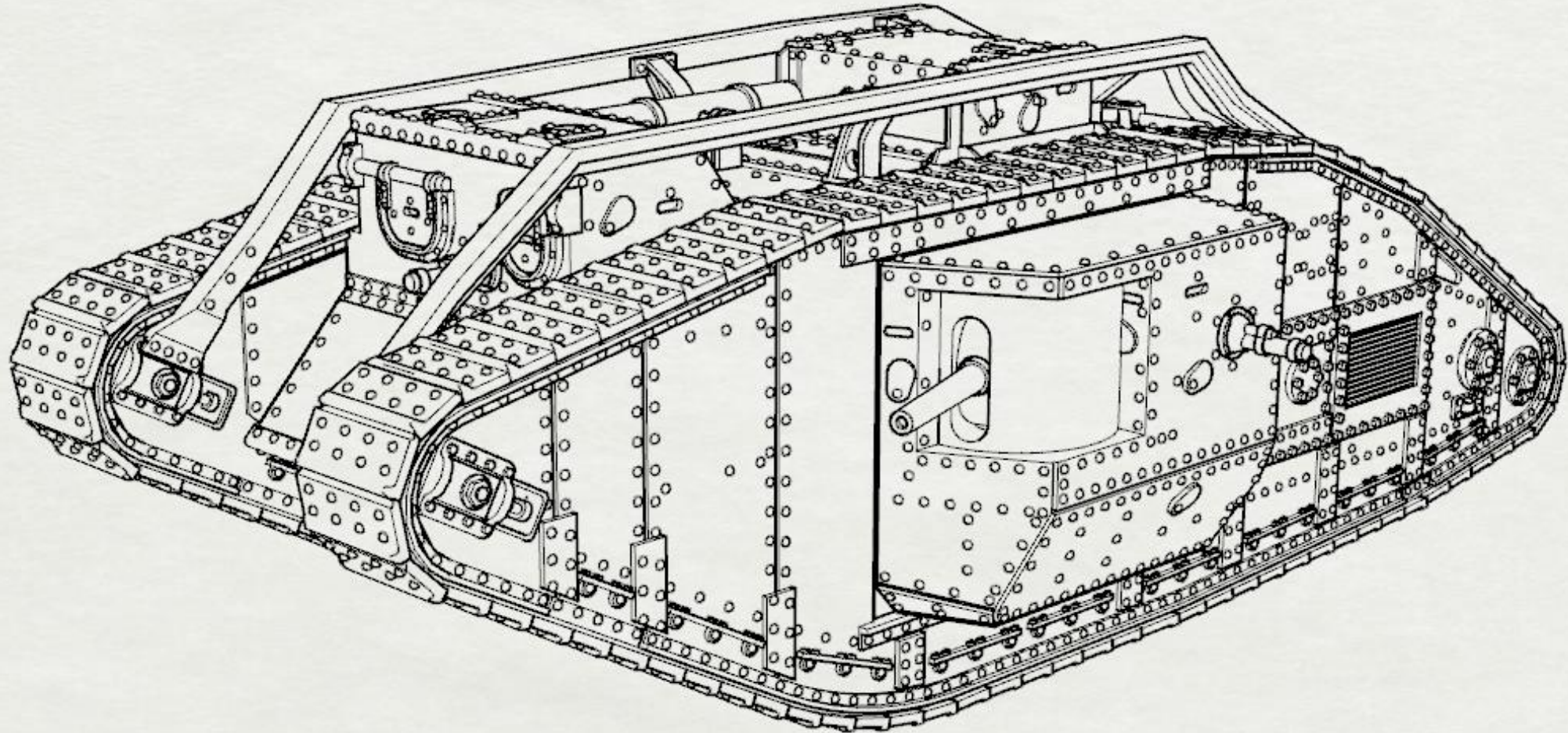
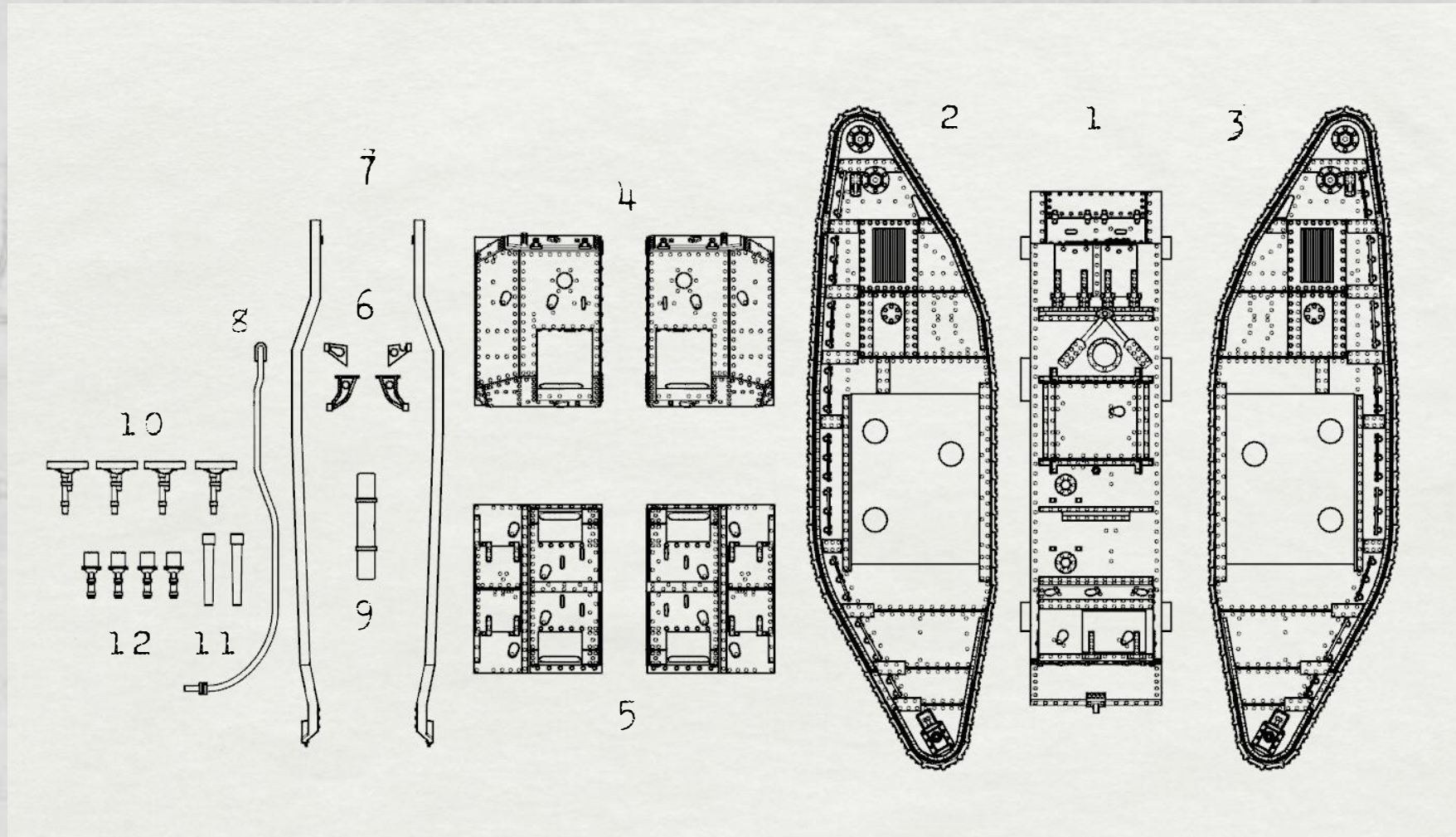


British Mark V (TW-10013)
Assembly Instructions

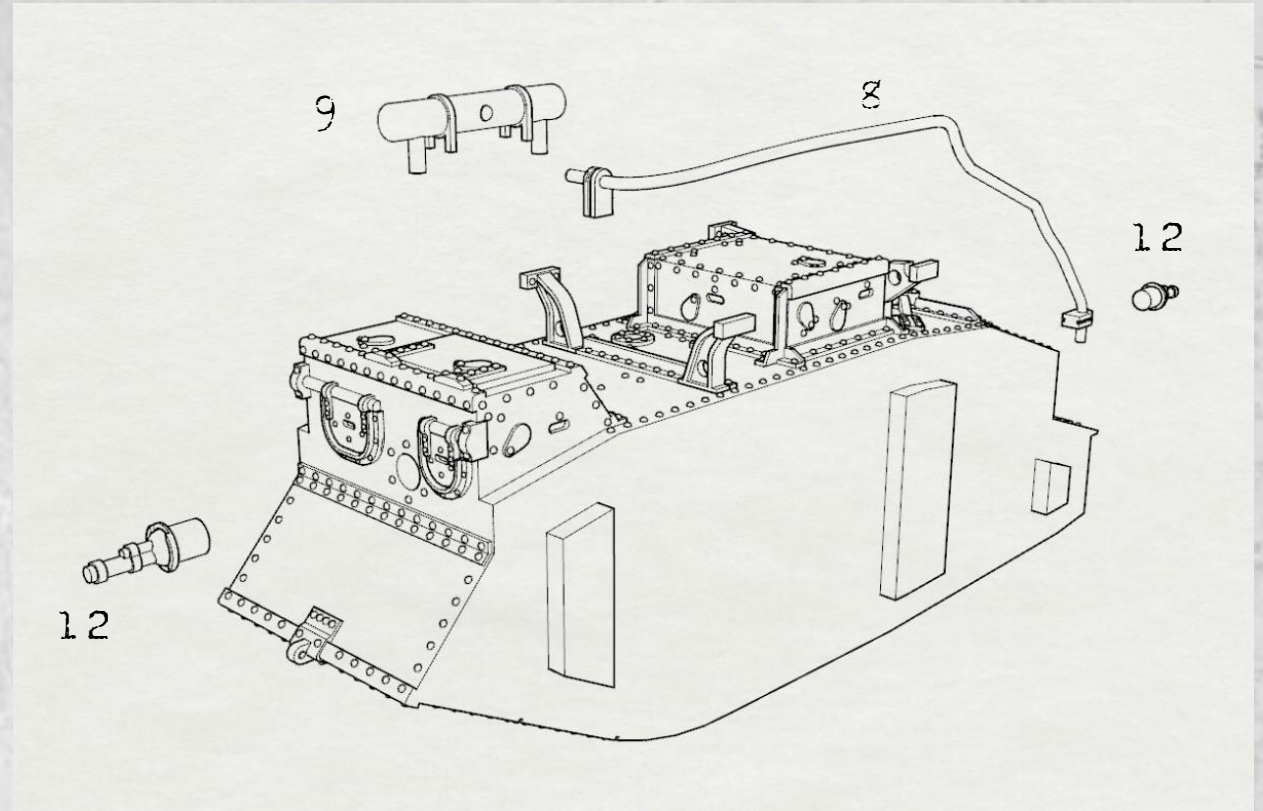
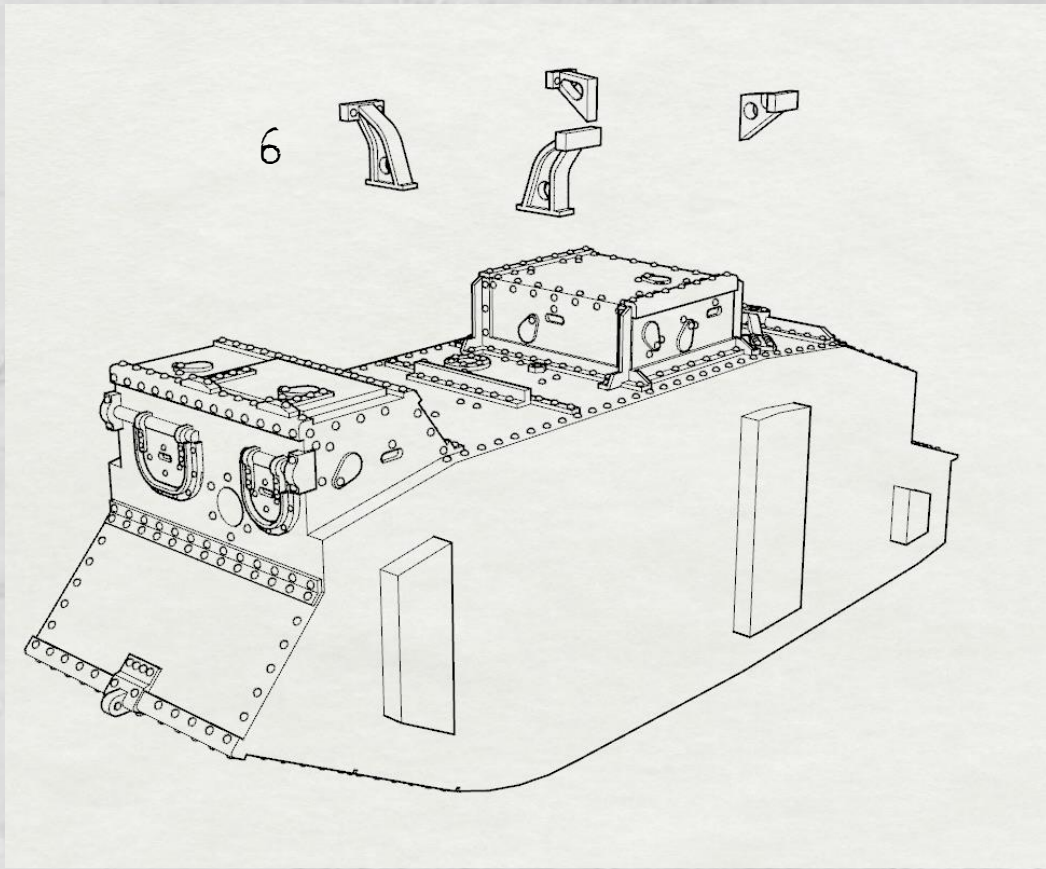


British Mark V (TW-10013) Assembly Instructions



Bill of Materials	
P/N	Description
1	Hull
2	Right Track
3	Left Track
4	Male Left and Right Sponsons (use #11 6 pounders x2 and #12 Hotchkiss Machine Guns x2)
5	Female Left and Right Sponsons (use #10 Machine Guns x4)
6	Rail Mounts
7	Rails (Resin)
8	Muffler Run (3D Print)
9	Muffler (3D Print)
10	Turret Mount Hotchkiss Machine Guns (3D Print)
11	6-Pounder Guns (3D Print)
12	Ball Mount Hotchkiss Machine Guns (3D Print)

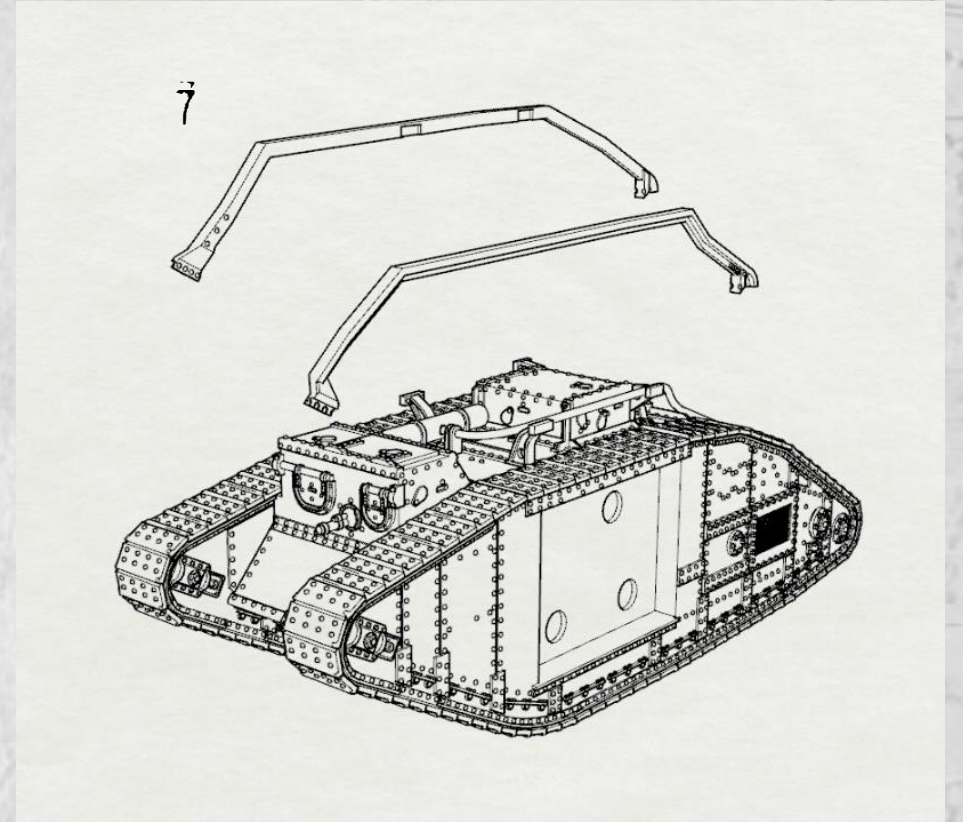
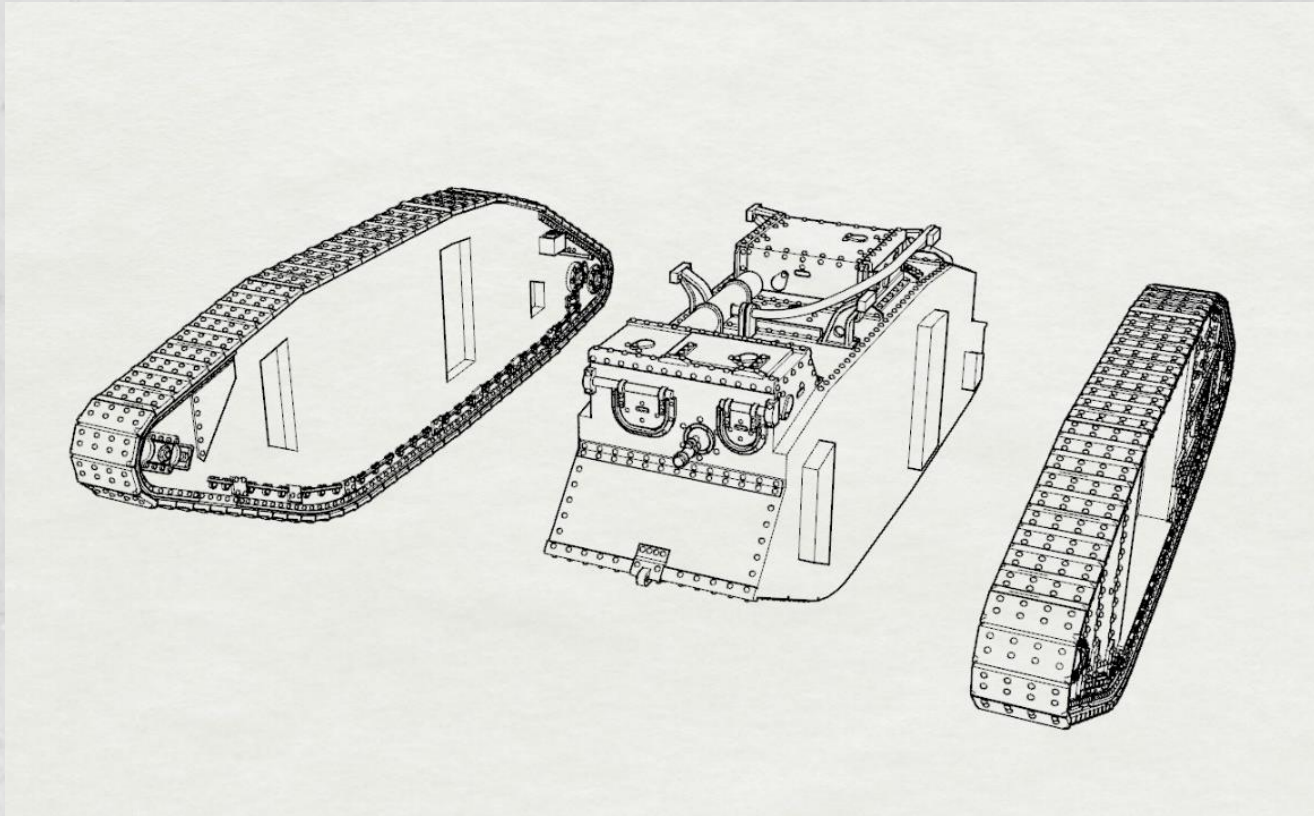
British Mark V (TW-10013)
Assembly Instructions



We recommend you sand the connecting points before gluing the parts in place. This will make for a stronger bond.

Trench Worx

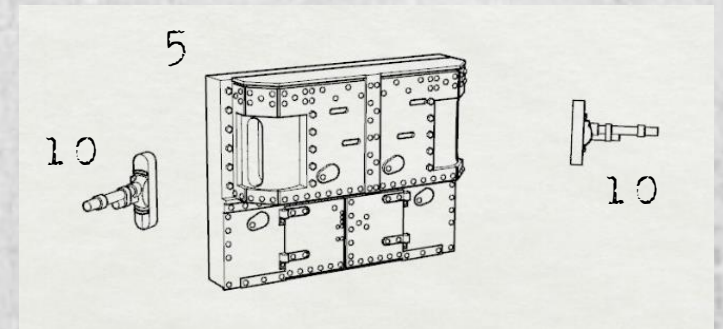
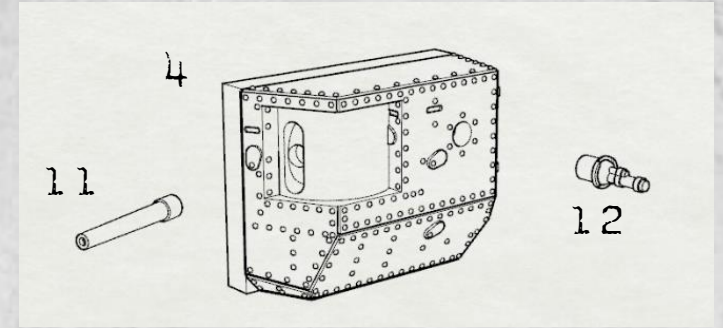
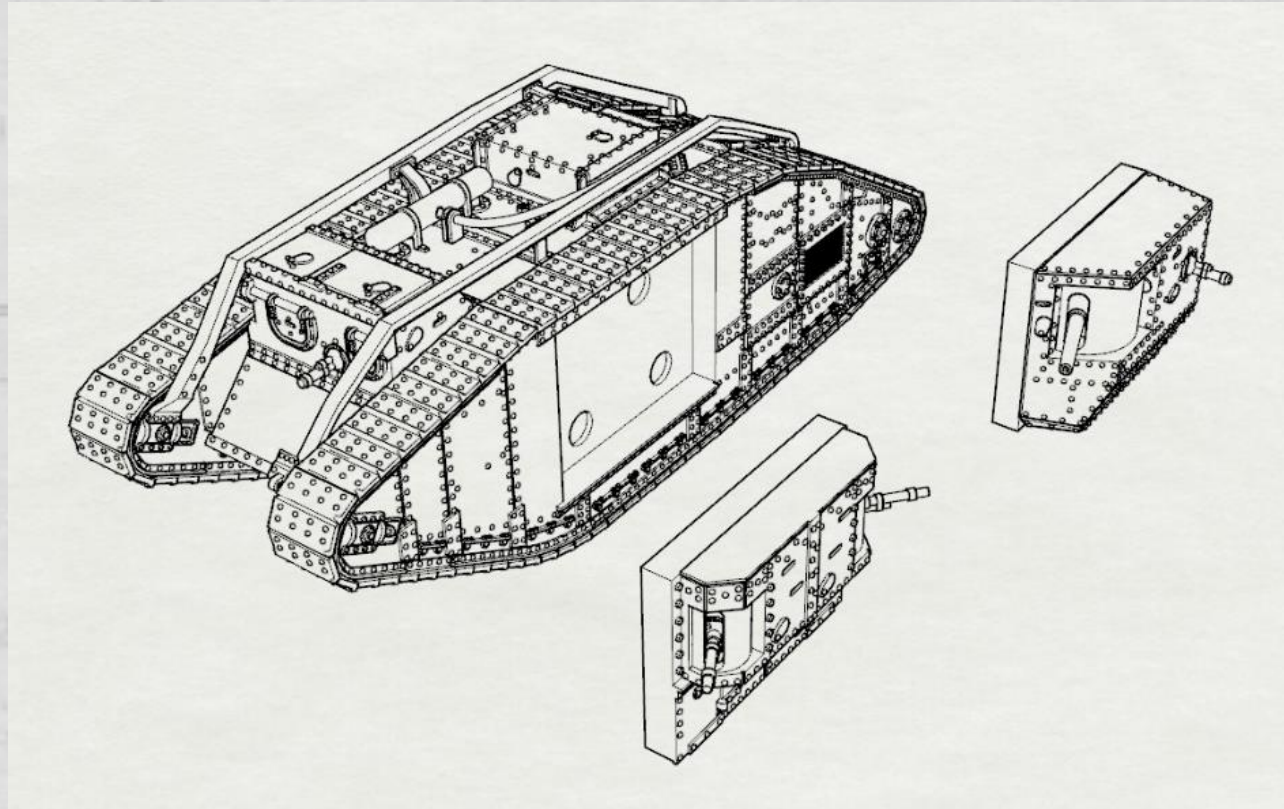
British Mark V (TW-10013)
Assembly Instructions



We recommend you sand the connecting points before gluing the parts in place. This will make for a stronger bond.

Trench Worx

British Mark V (TW-10013)
Assembly Instructions



We recommend you sand the connecting points before gluing the parts in place. This will make for a stronger bond.