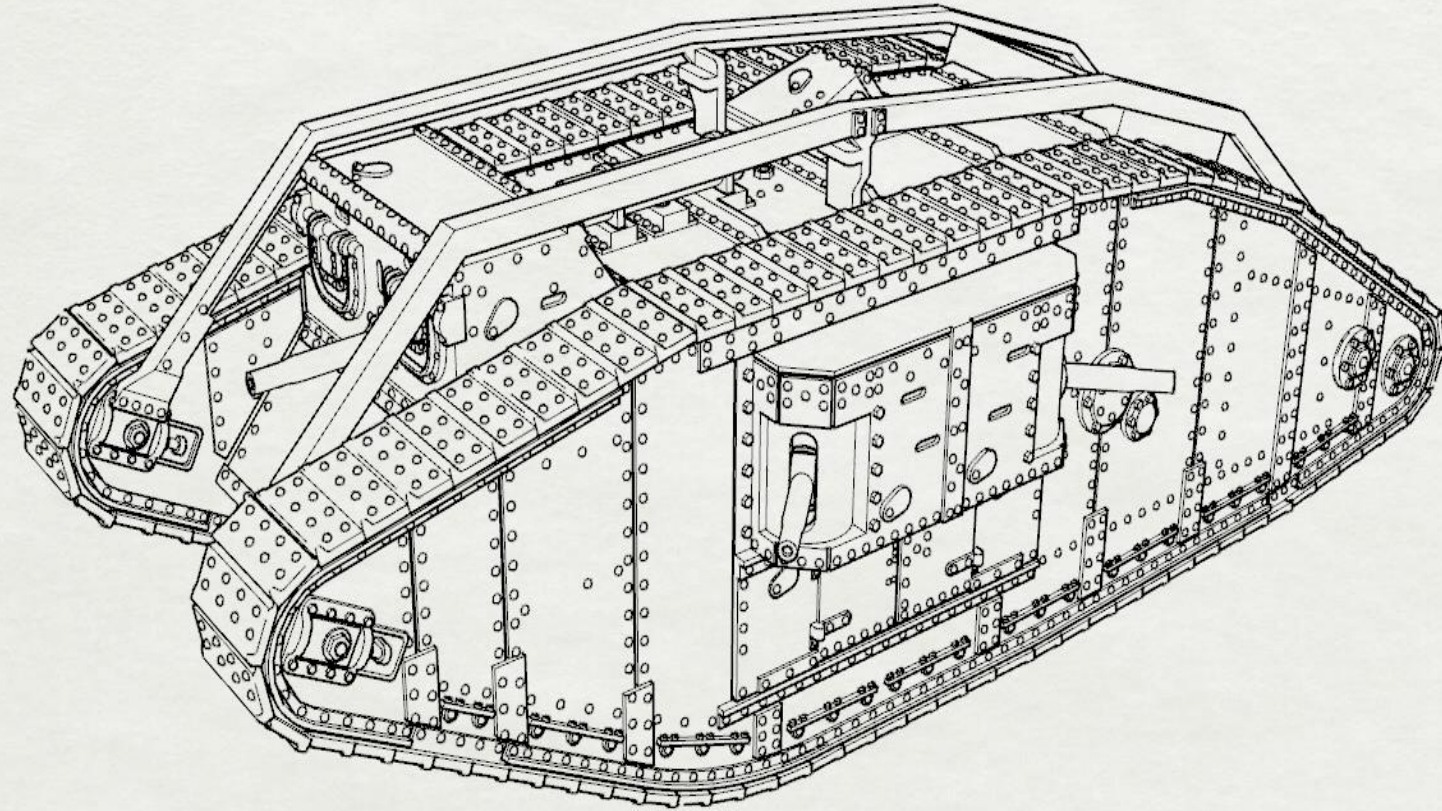
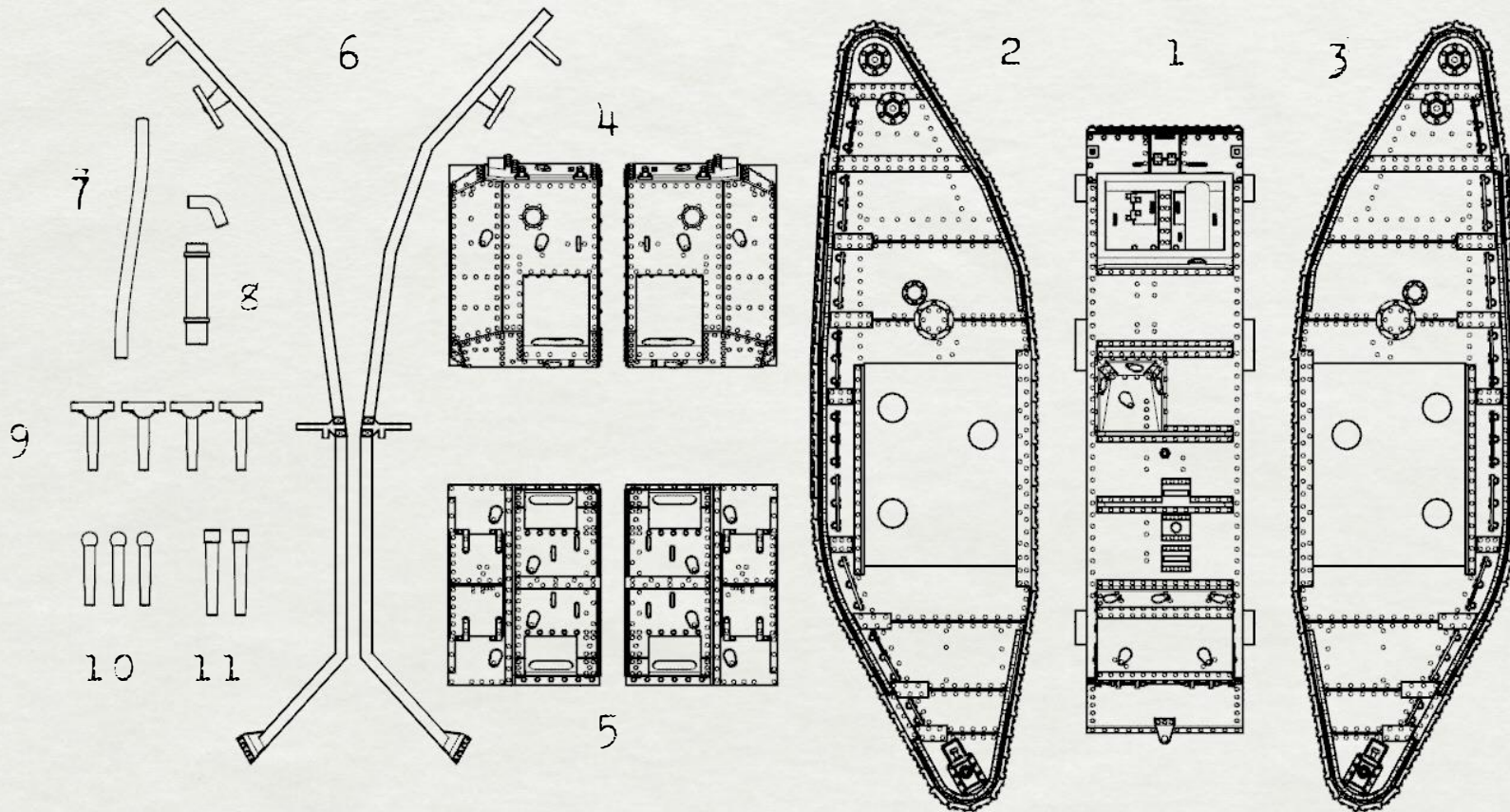


British Mark IV (TW-10013)
Assembly Instructions



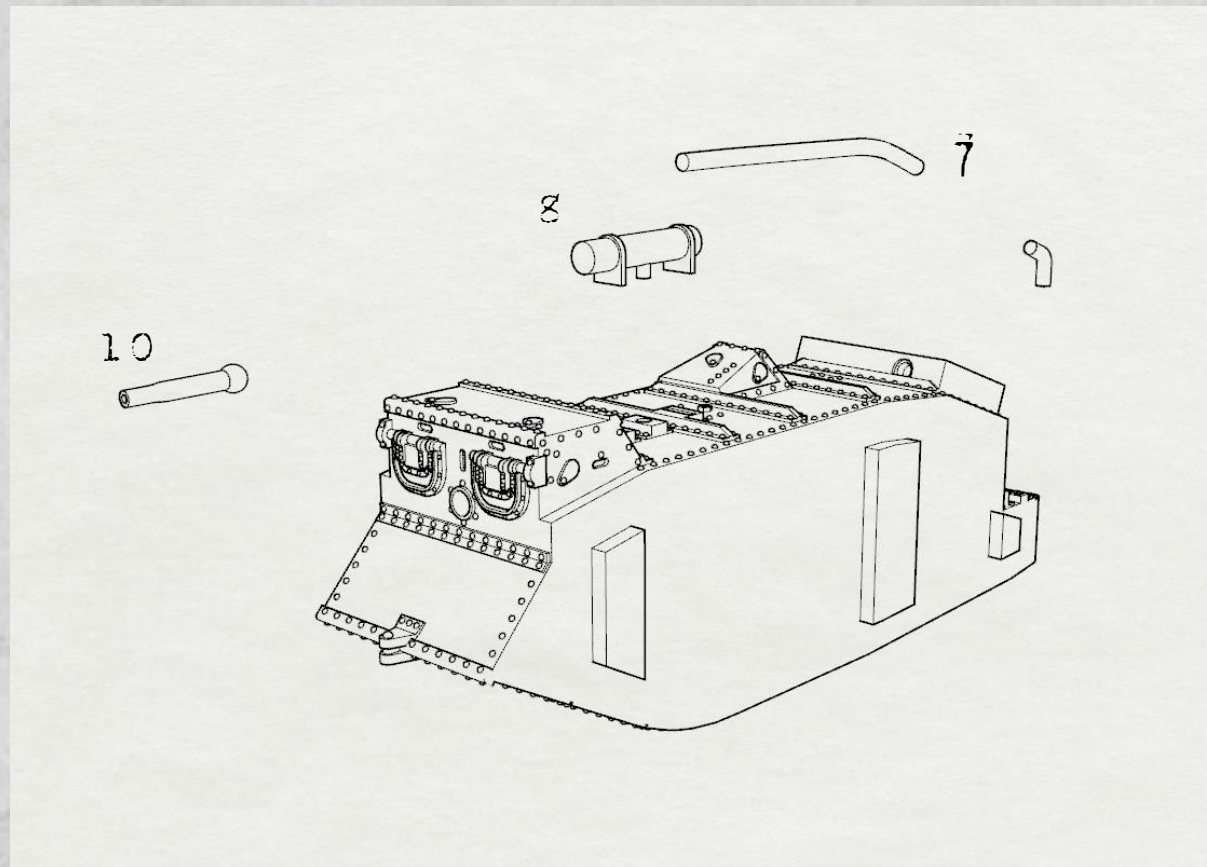
British Mark IV (TW-10013)

Assembly Instructions



Bill of Materials	
P/N	Description
1	Hull
2	Right Track
3	Left Track
4	Male Left and Right Sponsons (use #11 6 pounders x2 and #10 .303 Lewis Guns x2)
5	Female Left and Right Sponsons (use #9 .303 Lewis Guns x4)
6	Rail
7	Muffler Run (3D Print)
8	Muffler (3D Print)
9	Turret Mount .303 Lewis Guns (3D Print) - 4 quantity
10	Ball Mount .303 Lewis Guns (3D Print) - 3 quantity
11	6-Pounder Guns (3D Print) 2 quantity

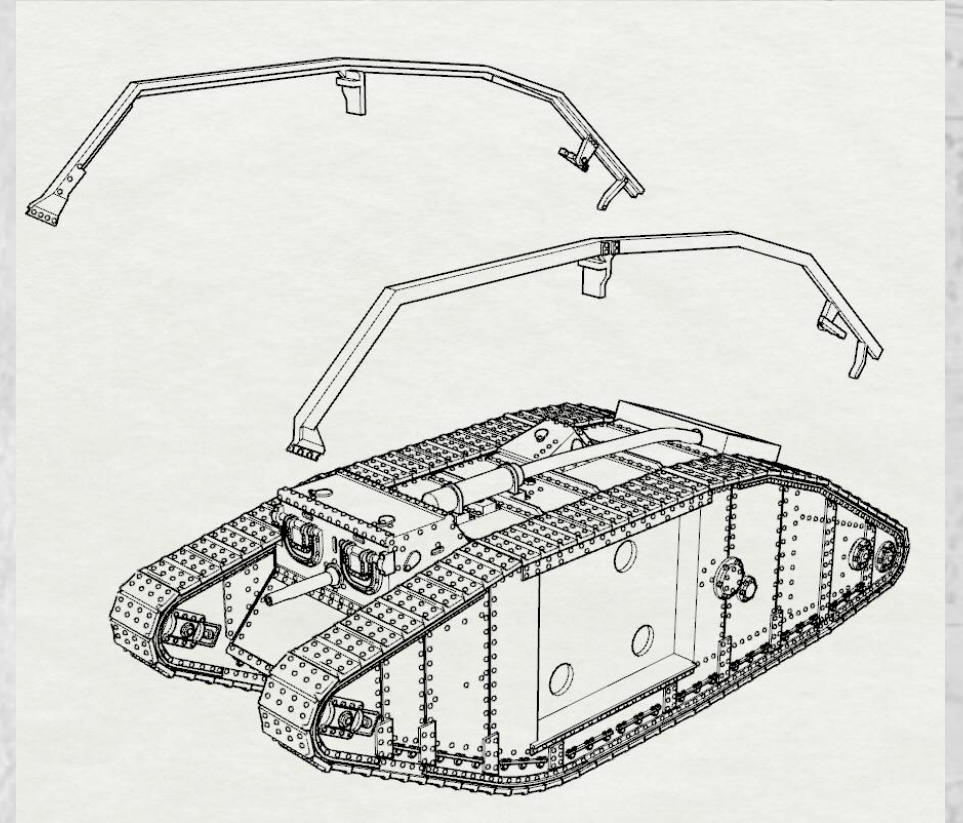
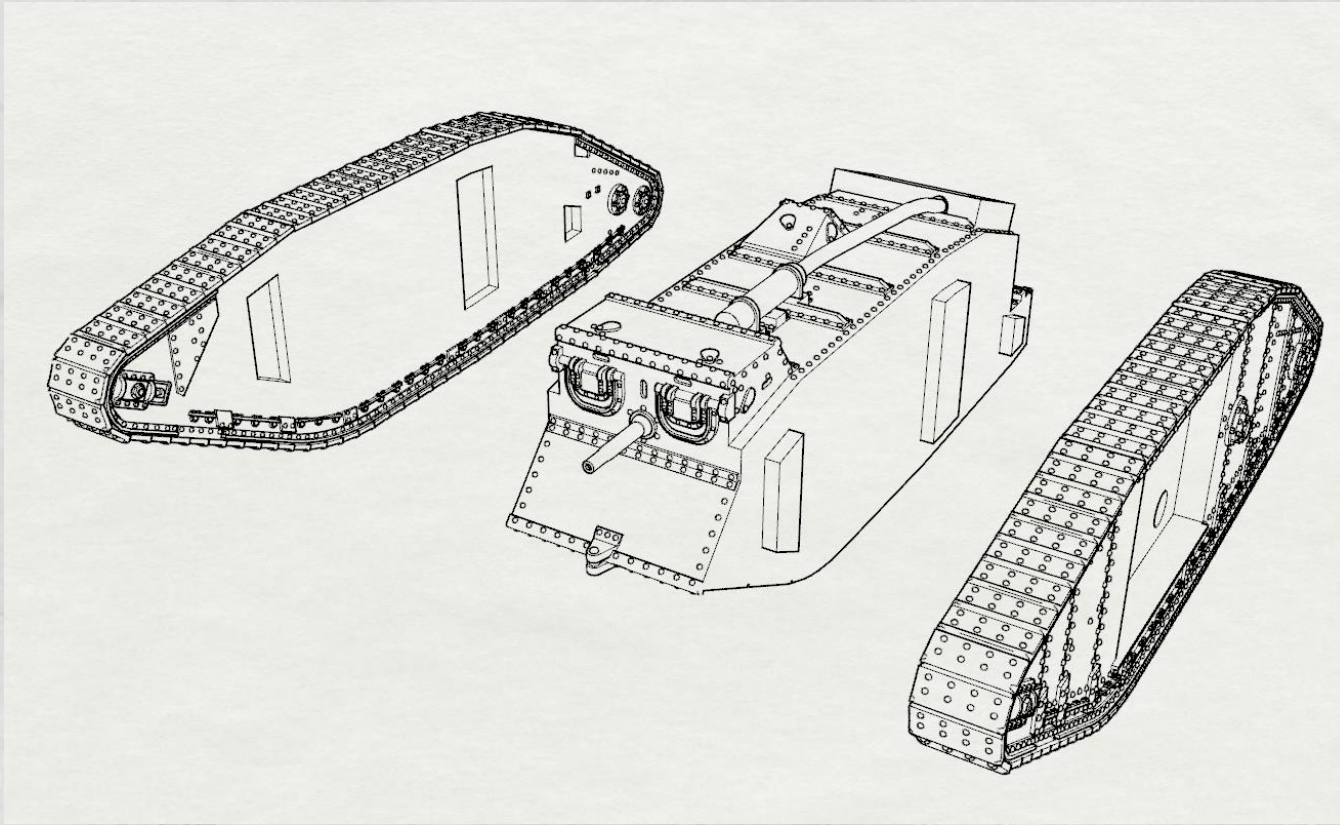
British Mark IV (TW-10013)
Assembly Instructions



We recommend you sand the connecting points before gluing the parts in place. This will make for a stronger bond.

Trench Worx

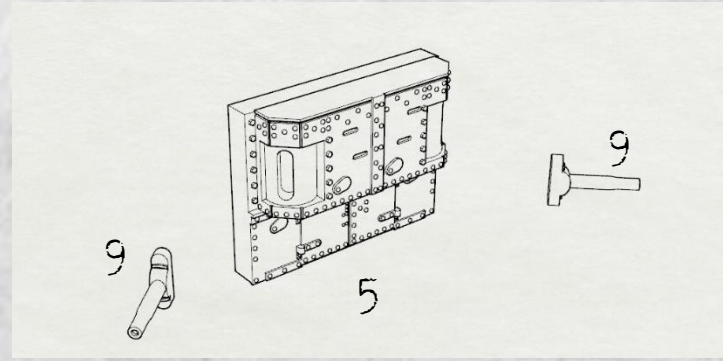
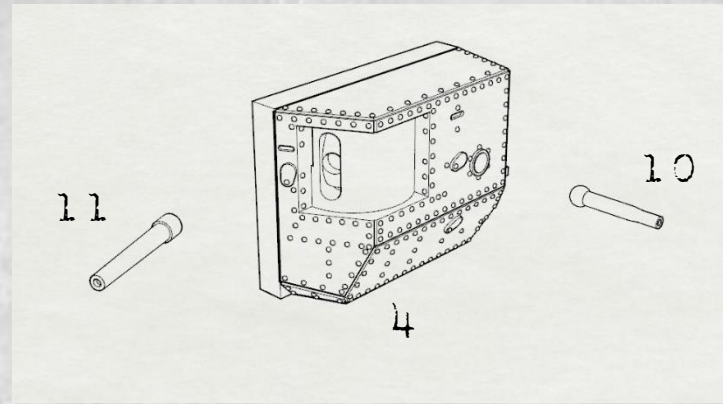
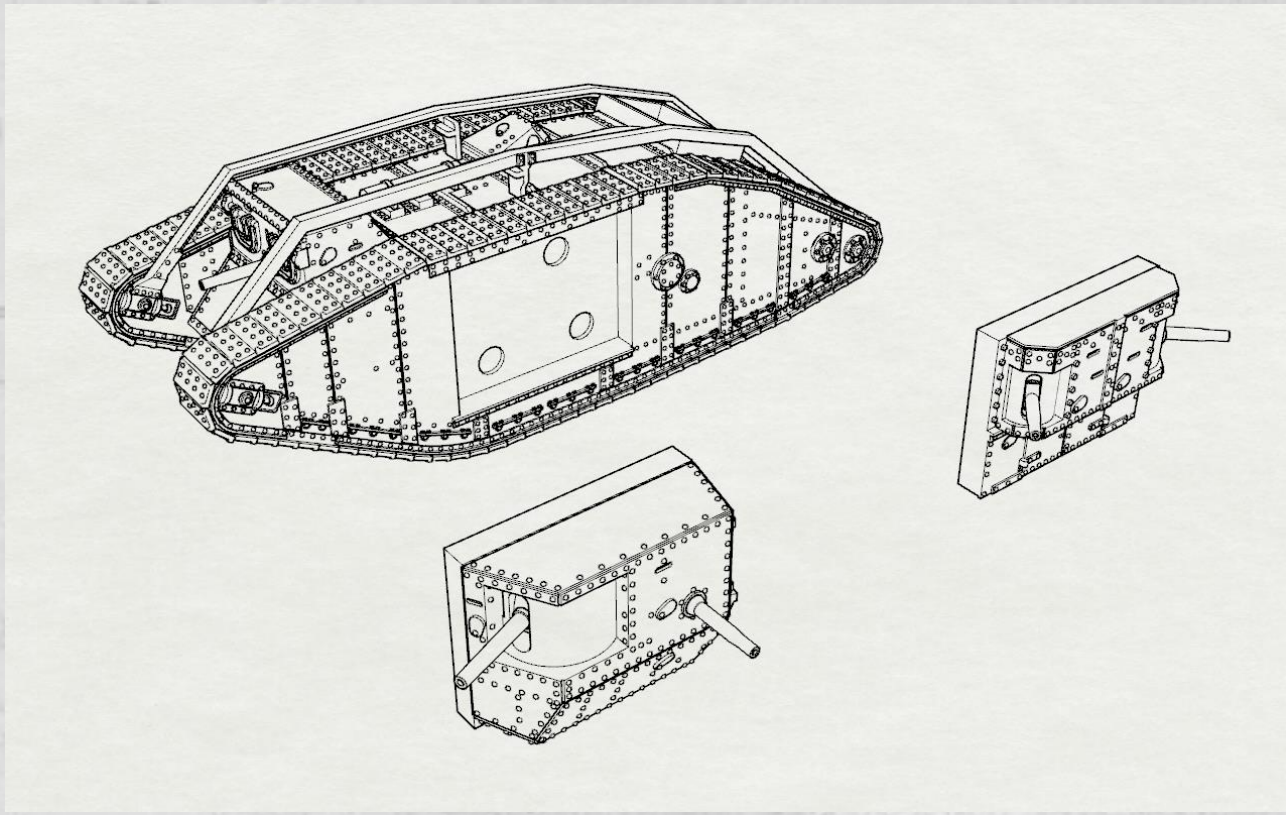
British Mark IV (TW-10013)
Assembly Instructions



We recommend you sand the connecting points before gluing the parts in place. This will make for a stronger bond.

Trench Worx

British Mark IV (TW-10013)
Assembly Instructions



We recommend you sand the connecting points before gluing the parts in place. This will make for a stronger bond.