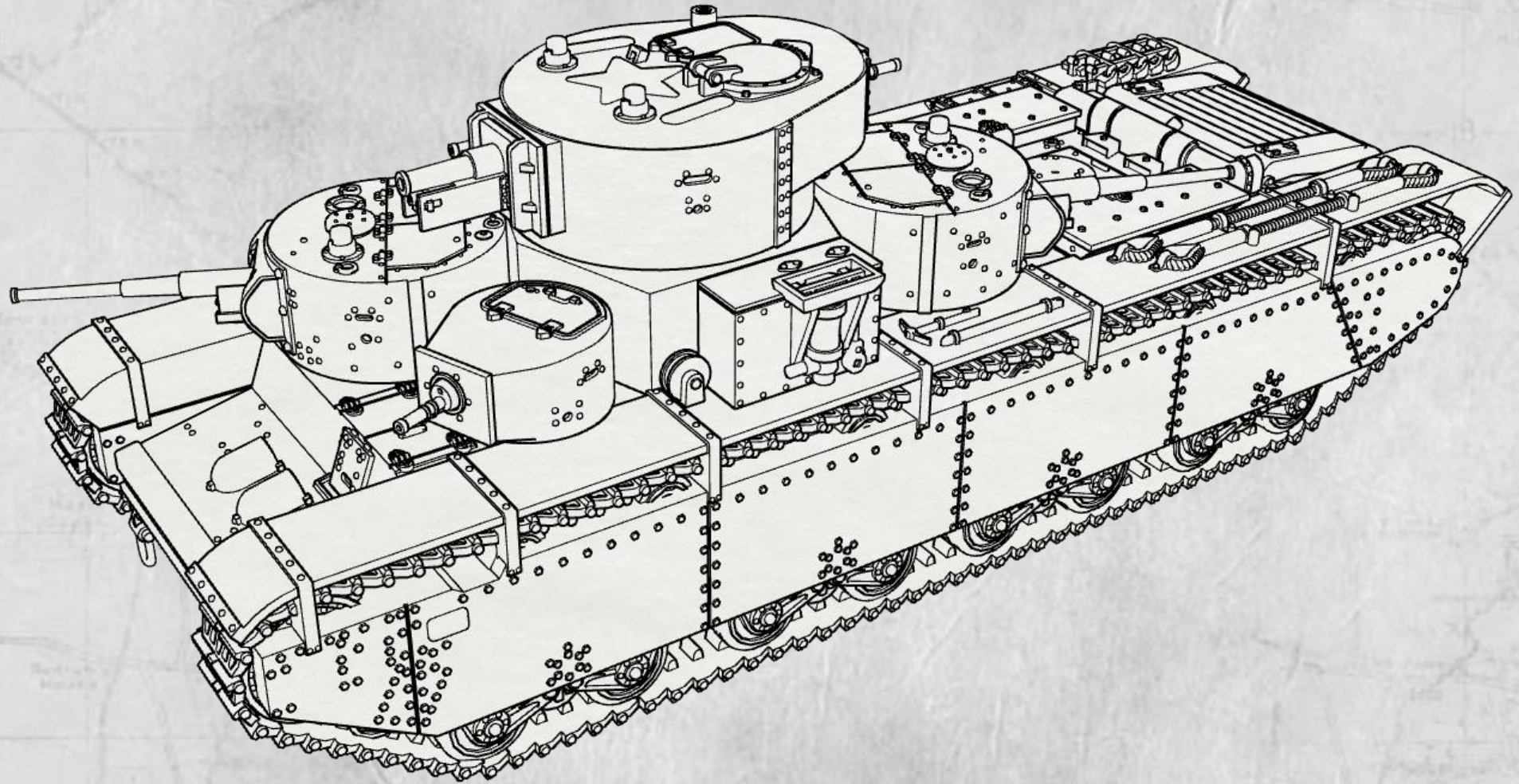
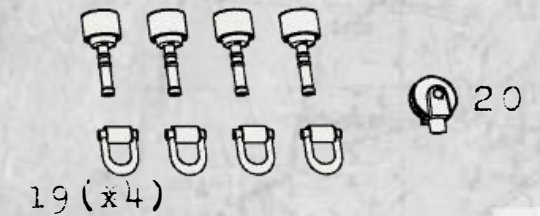
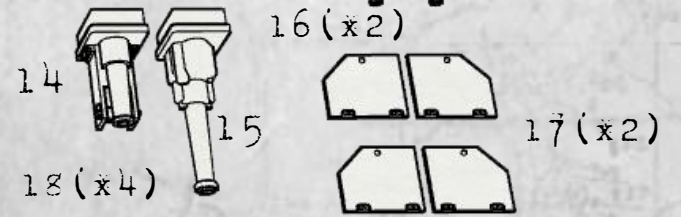
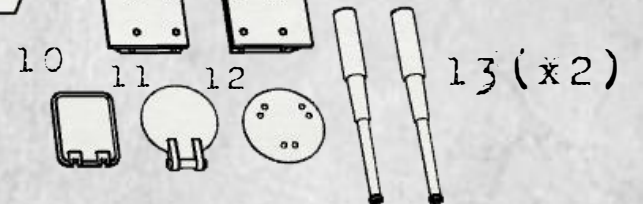
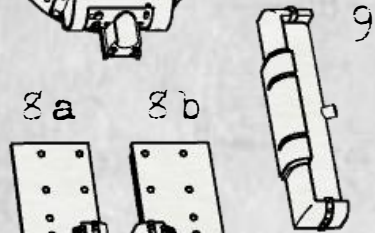
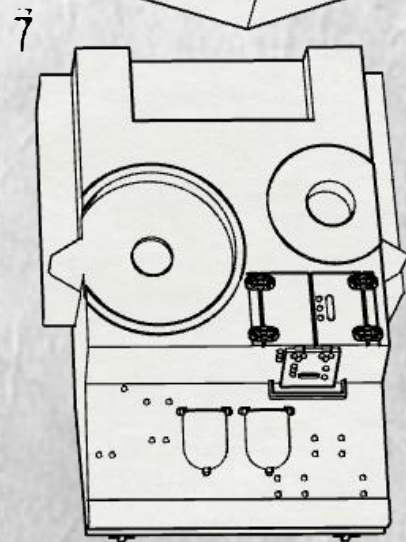
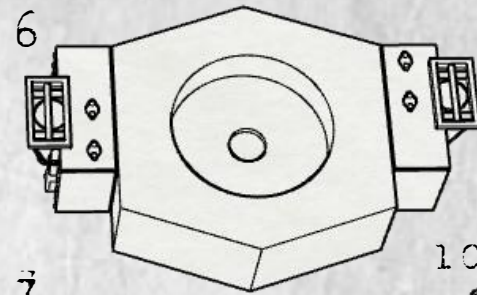
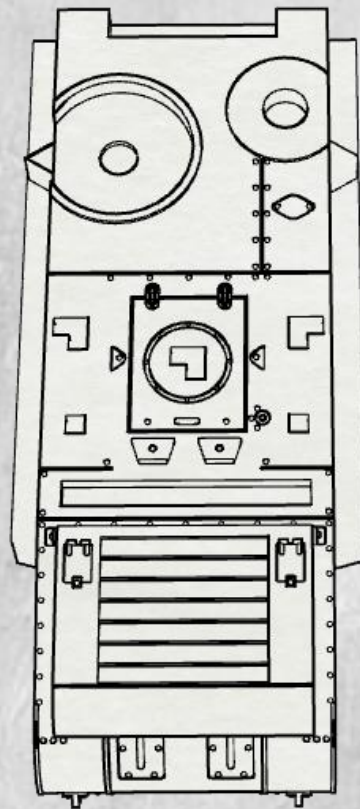
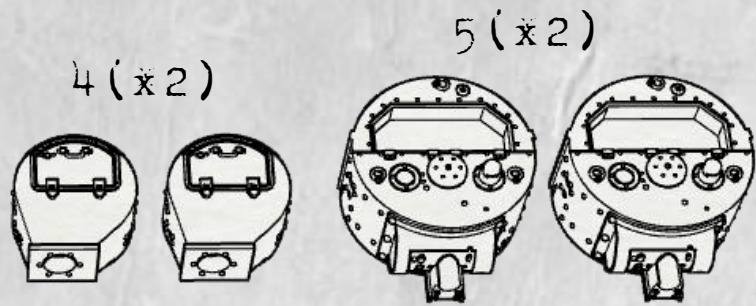
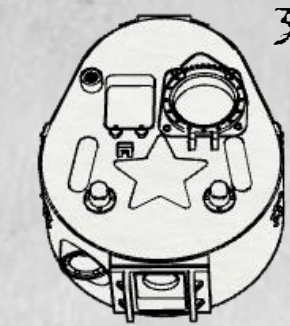
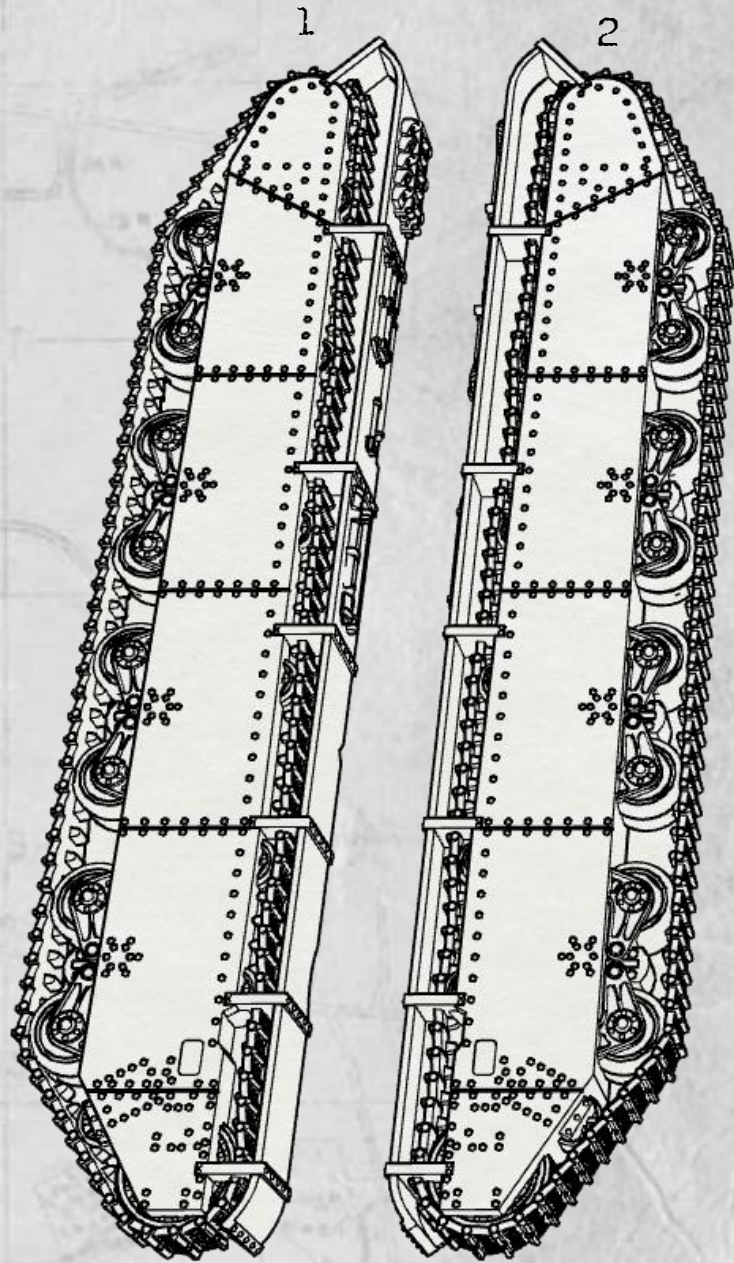


# T-35 Assembly Instructions



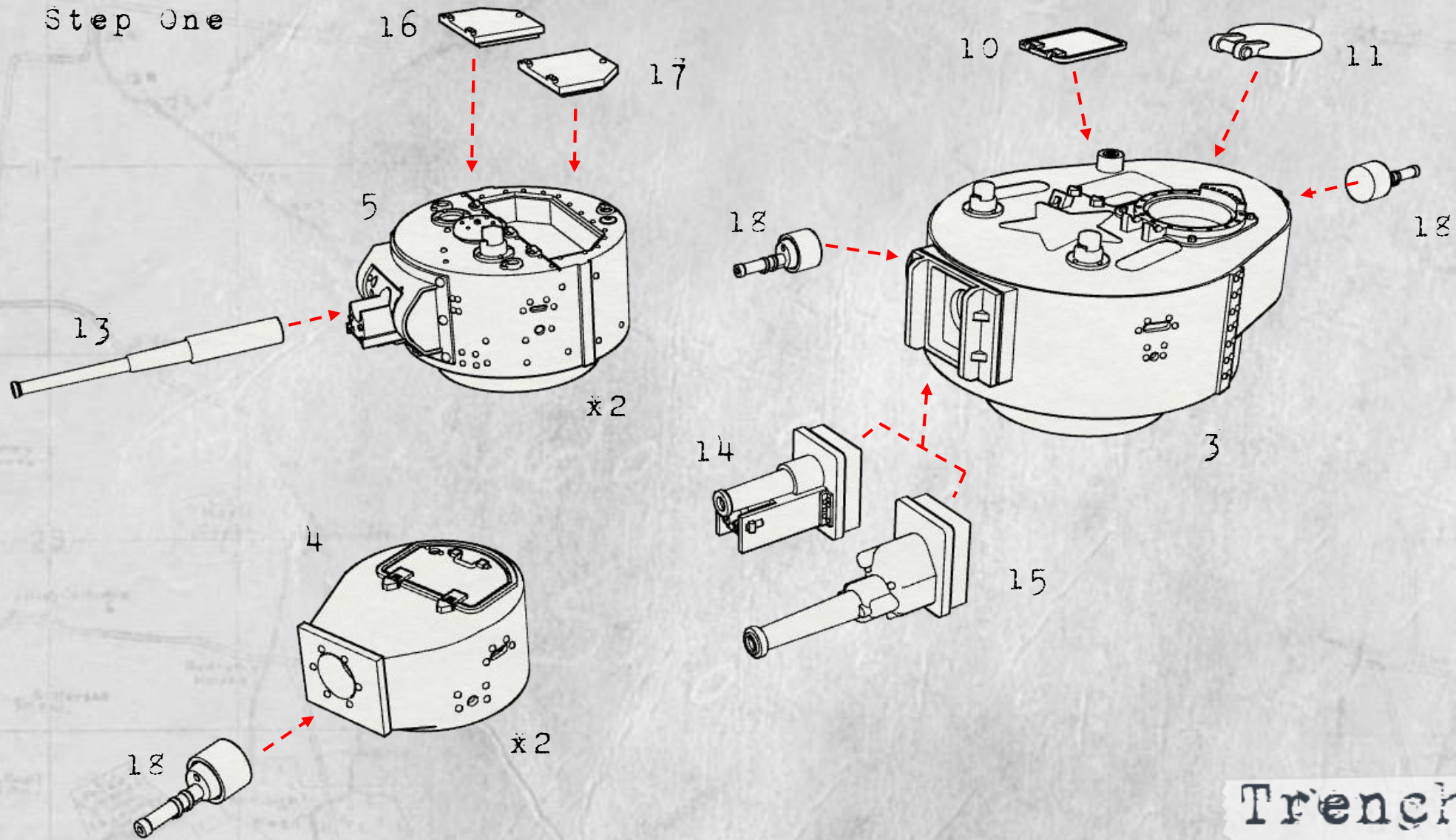




Trench Work



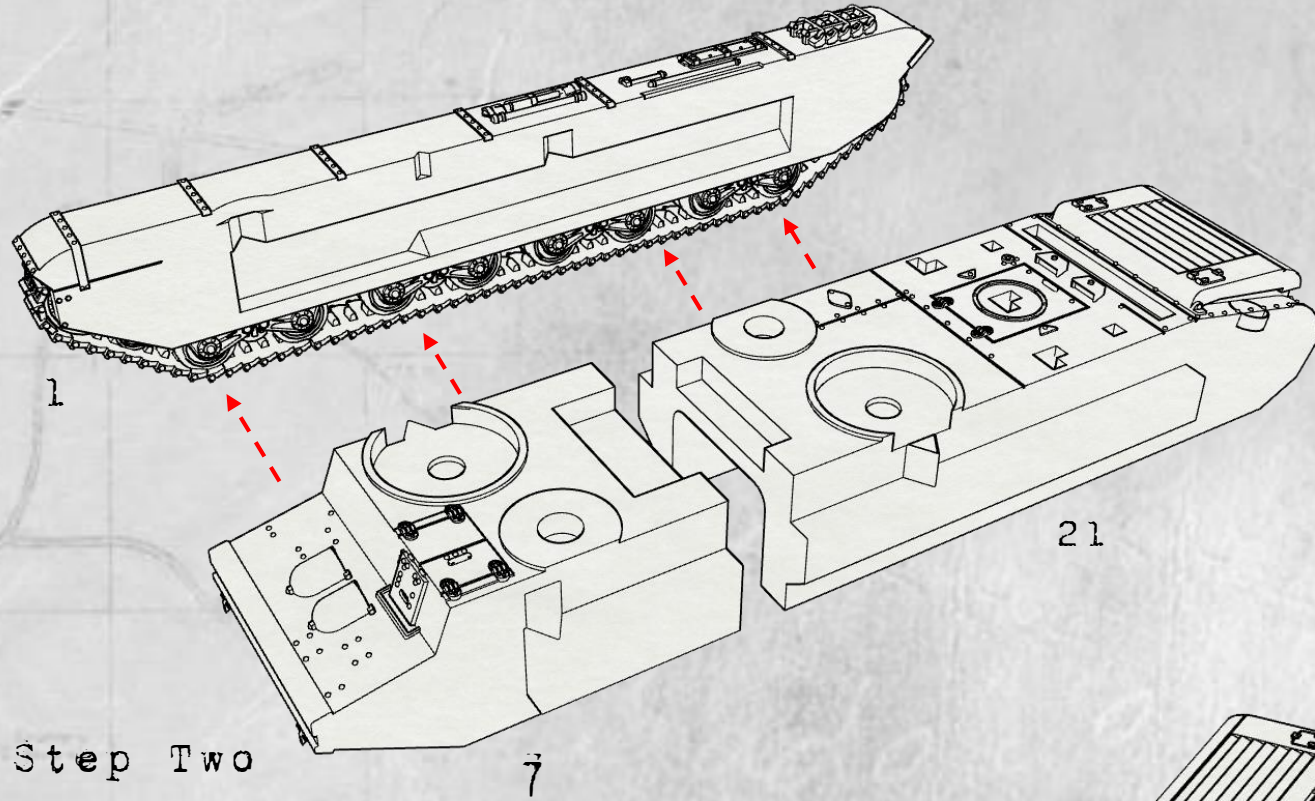
Step One



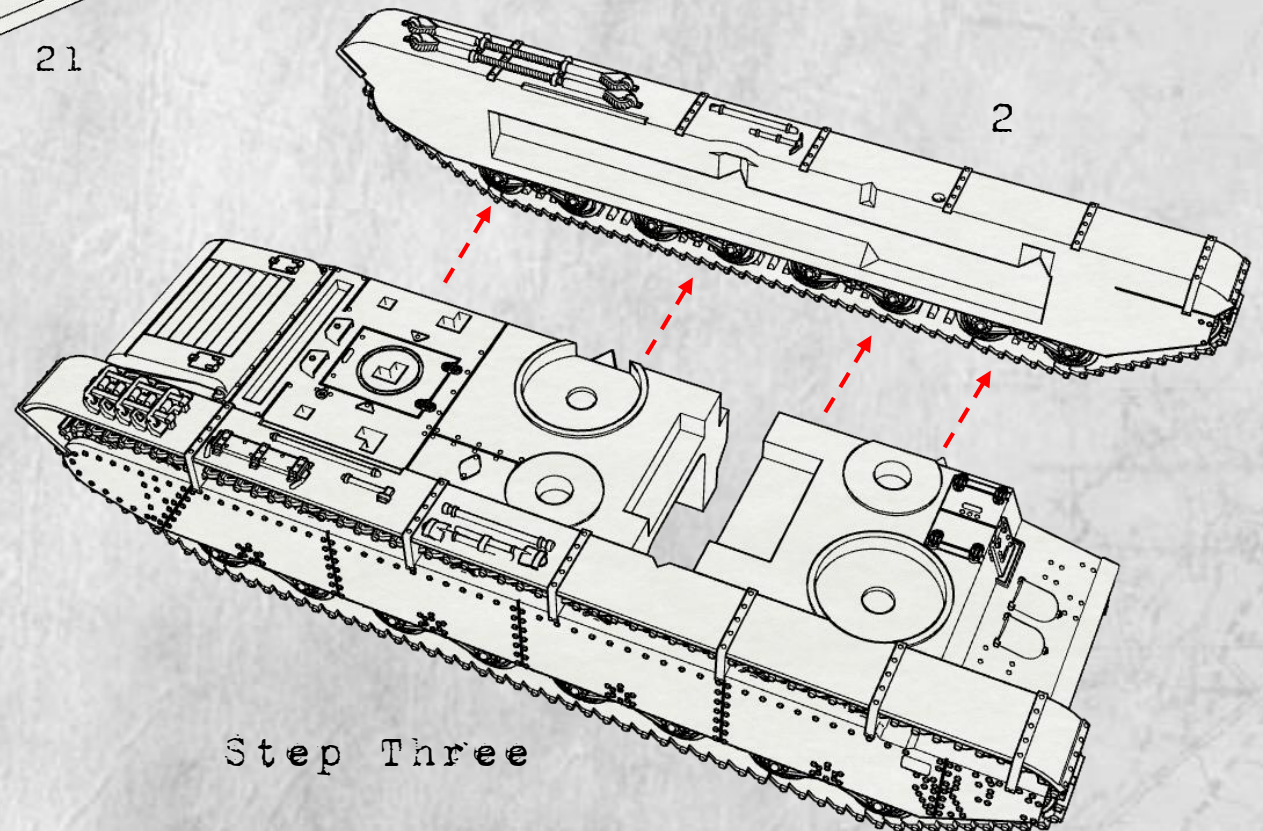
Trench Worx



# Trench Work



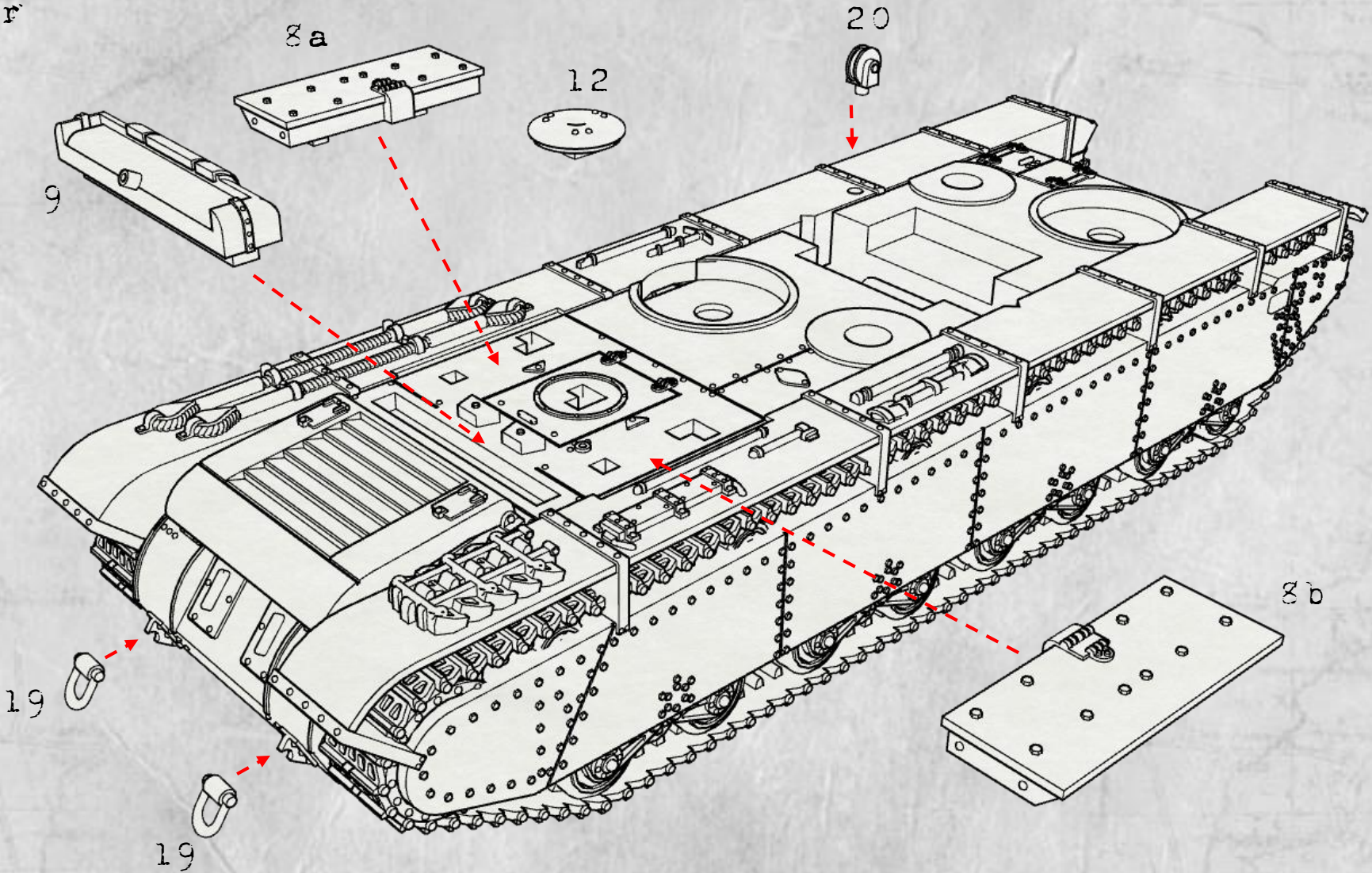
Dry fit your model  
before gluing.



We recommend you sand the  
connecting points before  
gluing the parts in place.  
This will make for a  
stronger bond.



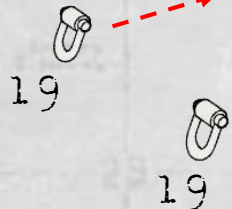
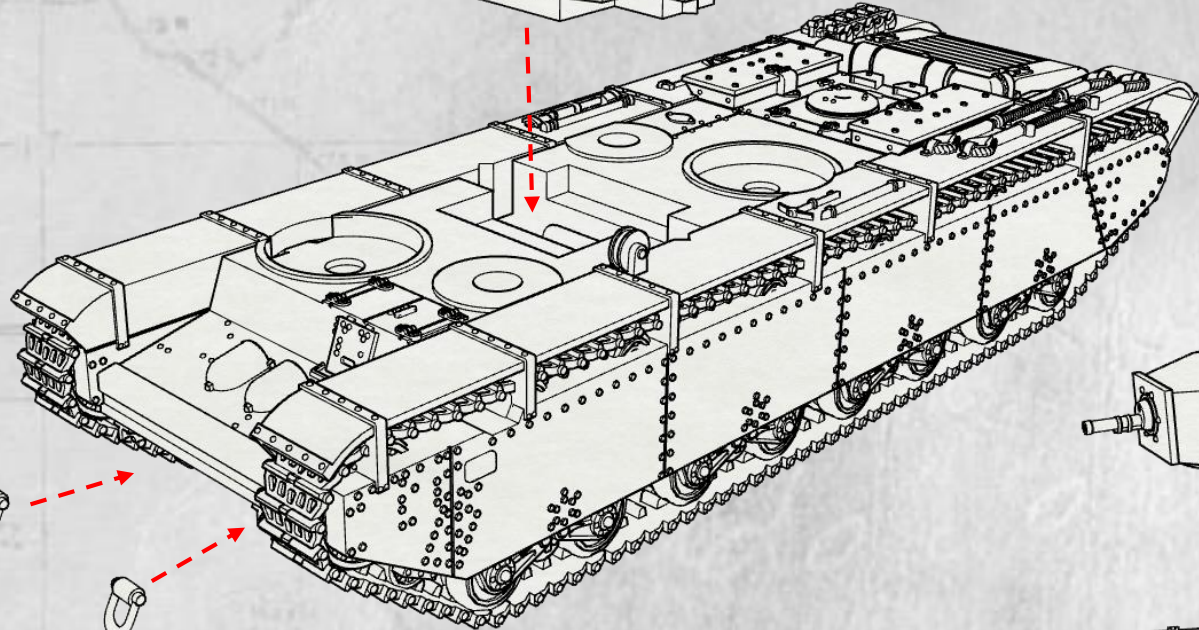
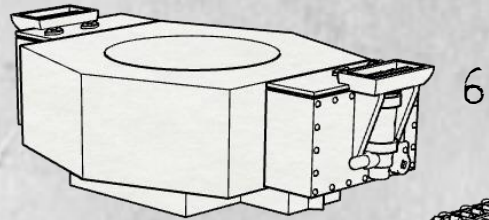
Step Four



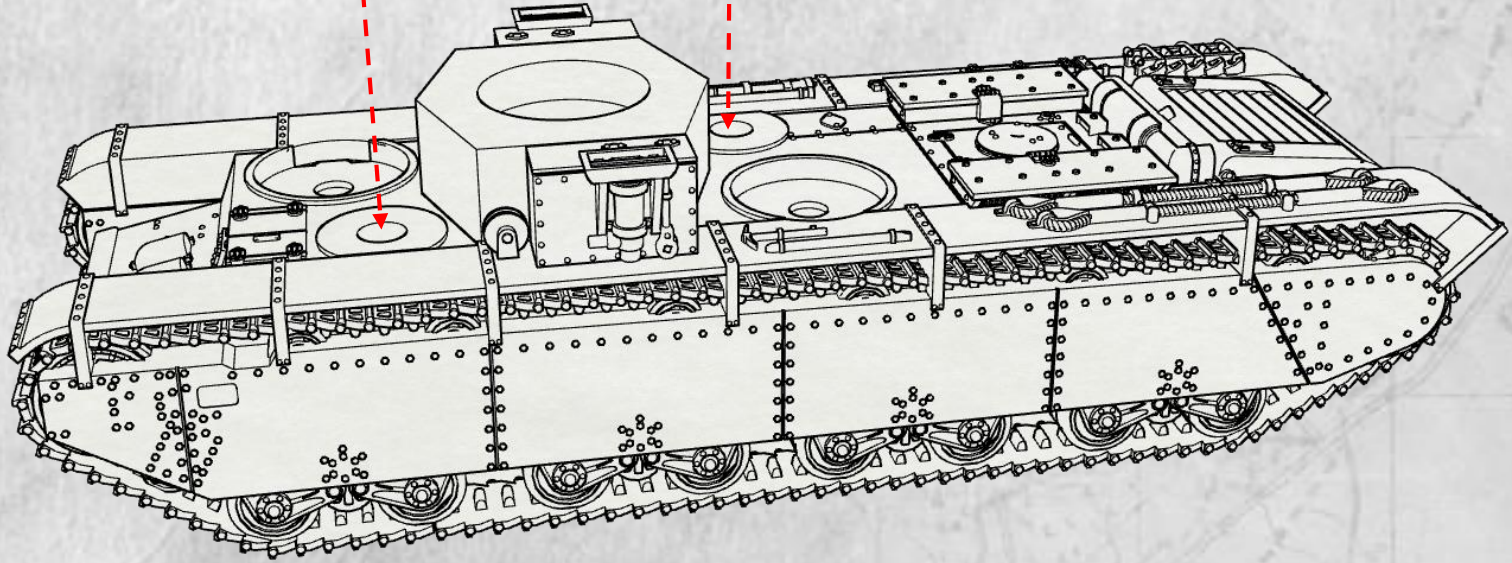
Trench Worx



Step Five



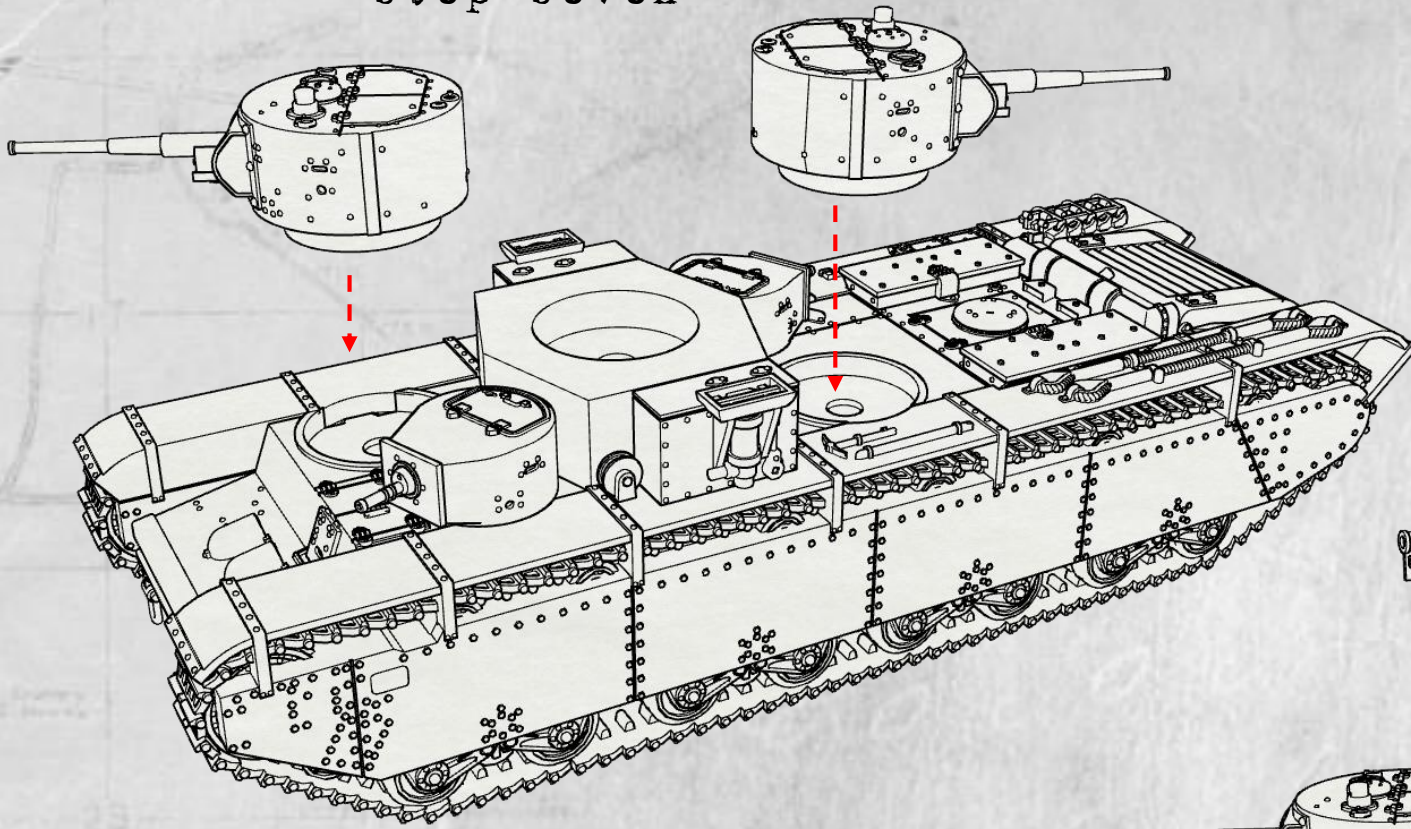
Step Six



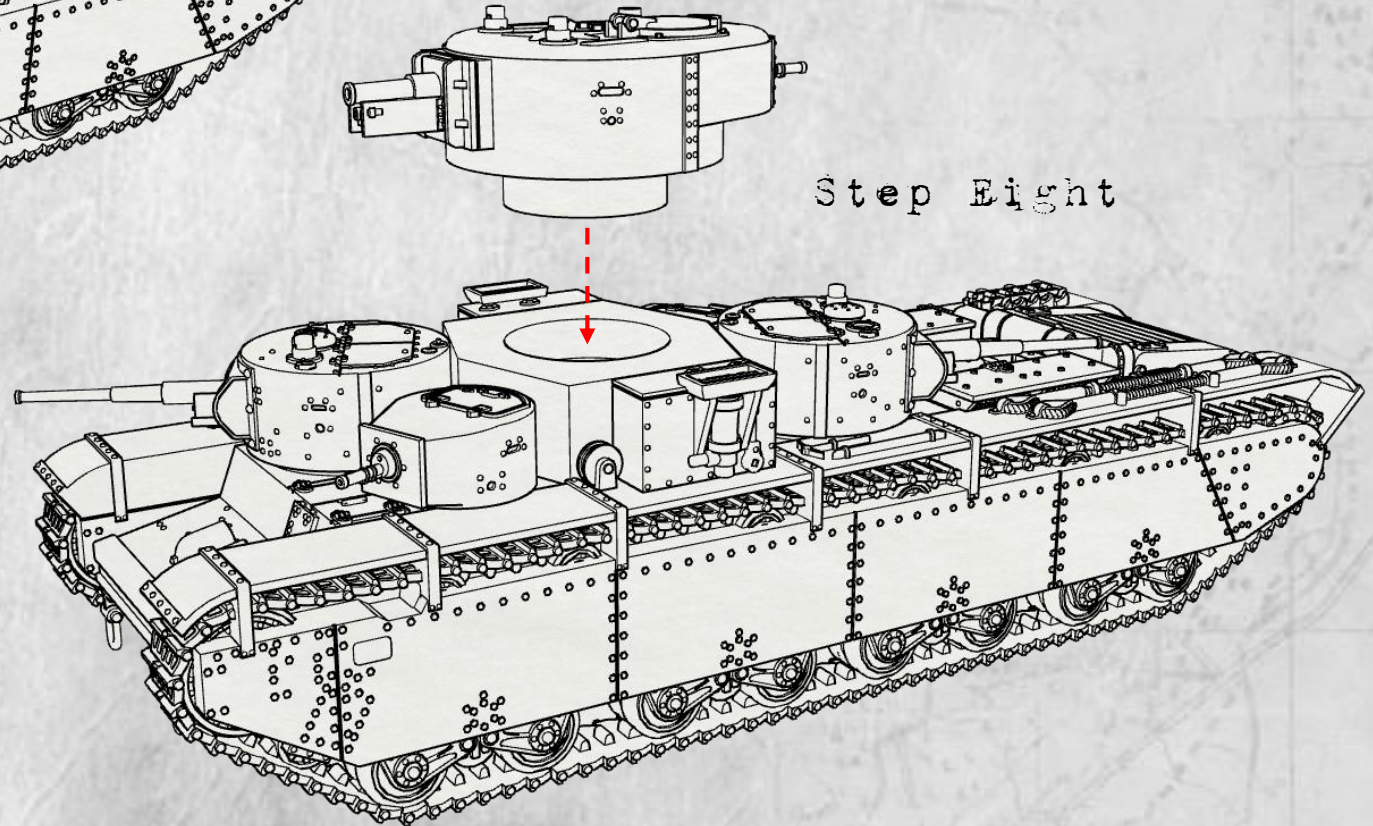
Trench Worx



Step Seven



Step Eight



Trench Worx